



US00D805668S

(12) **United States Design Patent**  
**Shirley et al.**

(10) **Patent No.:** **US D805,668 S**  
(45) **Date of Patent:** **\*\* Dec. 19, 2017**

(54) **FLASHLIGHT**

(71) Applicant: **Barrel Flashlight Company, LLC**,  
Carmichaels, PA (US)

(72) Inventors: **Kevin Shirley**, Carmichaels, PA (US);  
**Megan Bandish Shirley**, Carmichaels,  
PA (US)

(73) Assignee: **Barrel Flashlight Company, LLC**,  
Carmichaels, PA (US)

(\*\*) Term: **15 Years**

(21) Appl. No.: **29/563,611**

(22) Filed: **May 6, 2016**

(51) **LOC (10) Cl.** ..... **26-02**

(52) **U.S. Cl.**  
USPC ..... **D26/49**

(58) **Field of Classification Search**  
USPC ..... D26/40, 41, 46, 49, 36, 50, 51, 74, 123,  
D26/124, 1, 2, 4, 5, 6, 22, 67, 71, 91, 96,  
D26/130, 148, 149, 122, 42, 76;  
320/110; D13/180; 362/33, 612, 555,  
362/18, 301, 23.07, 188; D6/332, 641,  
D6/643, 714; D16/135; 340/321  
CPC . H01M 2/022; F21Y 2115/10; F21Y 2101/02;  
F21L 4/00; F21L 4/08; F21L 13/08; F21L  
17/00; F21V 14/025; F21V 21/406; F21K  
9/00

See application file for complete search history.

(56) **References Cited**

**U.S. PATENT DOCUMENTS**

D521,666 S *	5/2006	Chean	.....	D26/37
D524,468 S *	7/2006	Chean	.....	D26/37
D534,294 S *	12/2006	Kim	.....	D26/49
D537,969 S *	3/2007	Moser	.....	D26/46
D557,838 S *	12/2007	Shiu	.....	D26/37
D566,309 S *	4/2008	Kornfeld	.....	D26/37

D593,240 S *	5/2009	Caniparoli	.....	D26/49
D624,678 S *	9/2010	Kim	.....	D26/38
D635,704 S *	4/2011	Kim	.....	D26/49
D668,805 S *	10/2012	Chapman	.....	D26/49
D688,402 S *	8/2013	Roshak	.....	D26/49
D706,475 S *	6/2014	Lee	.....	D26/49
D706,476 S *	6/2014	Lee	.....	D26/49
D736,981 S *	8/2015	Windom	.....	D26/49
D747,024 S *	1/2016	Windom	.....	D26/49
D749,255 S *	2/2016	Robinson	.....	D26/37
D788,965 S *	6/2017	Roshak	.....	D26/63
D794,237 S *	8/2017	Christensen	.....	D26/49
2011/0176294 A1 *	7/2011	Kim	.....	F21L 4/027 362/118
2013/0335955 A1 *	12/2013	Lee	.....	F21V 14/065 362/190
2016/0161069 A1 *	6/2016	Lam	.....	F21L 4/027 362/205

(Continued)

*Primary Examiner* — Lakiya G Rogers

*Assistant Examiner* — Altaira J Swangin

(74) *Attorney, Agent, or Firm* — The Webb Law Firm

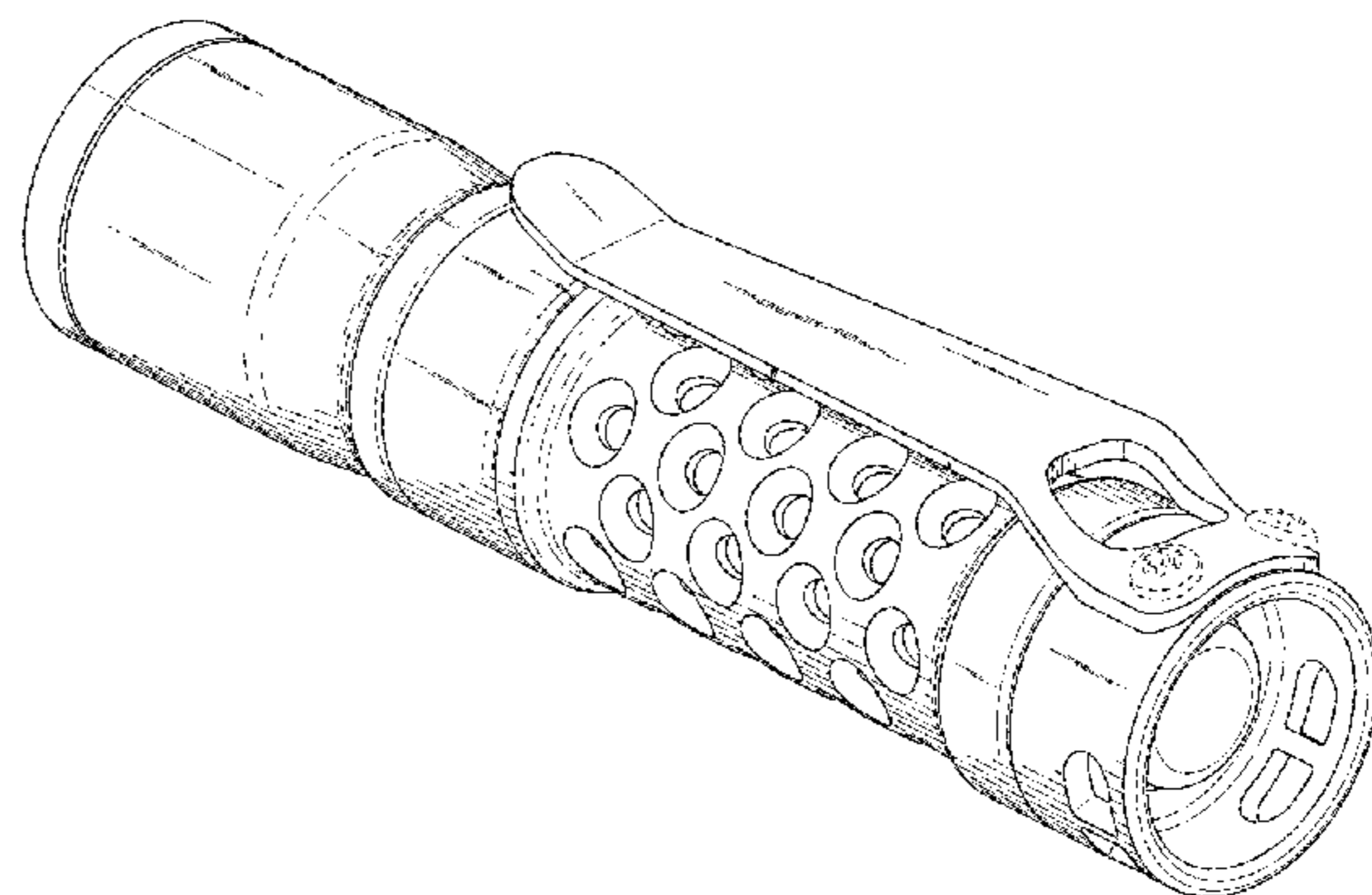
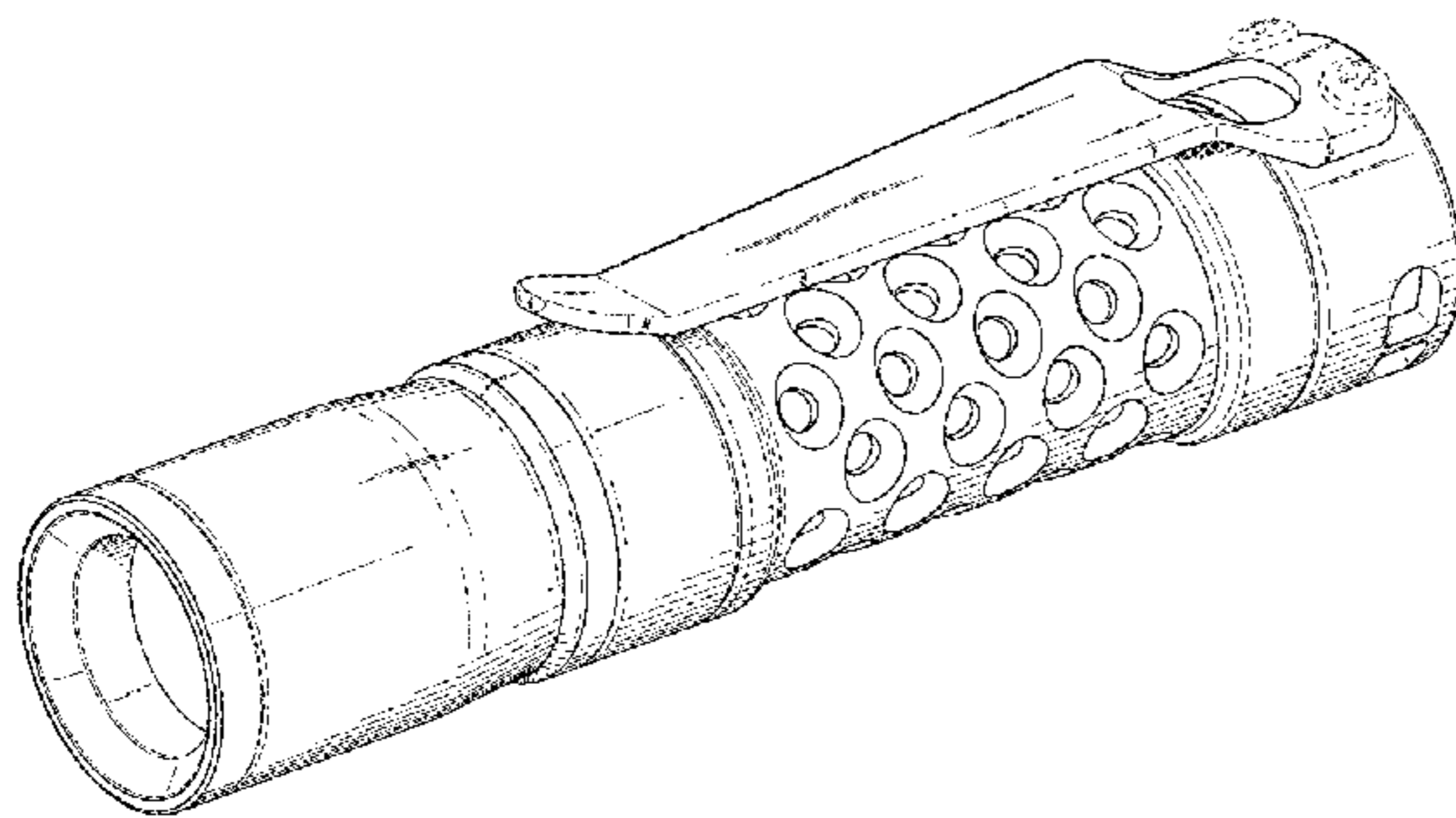
(57) **CLAIM**

The ornamental design for a flashlight, as shown and described.

**DESCRIPTION**

FIG. 1 is a front perspective view of a flashlight of the present design;  
FIG. 2 is a rear perspective view thereof;  
FIG. 3 is a top view thereof;  
FIG. 4 is a right side view thereof, the left side view being a mirror image thereof;  
FIG. 5 is a bottom view thereof;  
FIG. 6 is a front view thereof; and,  
FIG. 7 is a rear view thereof.  
The portions of the flashlight shown in broken lines form no part of the claimed design.

**1 Claim, 4 Drawing Sheets**



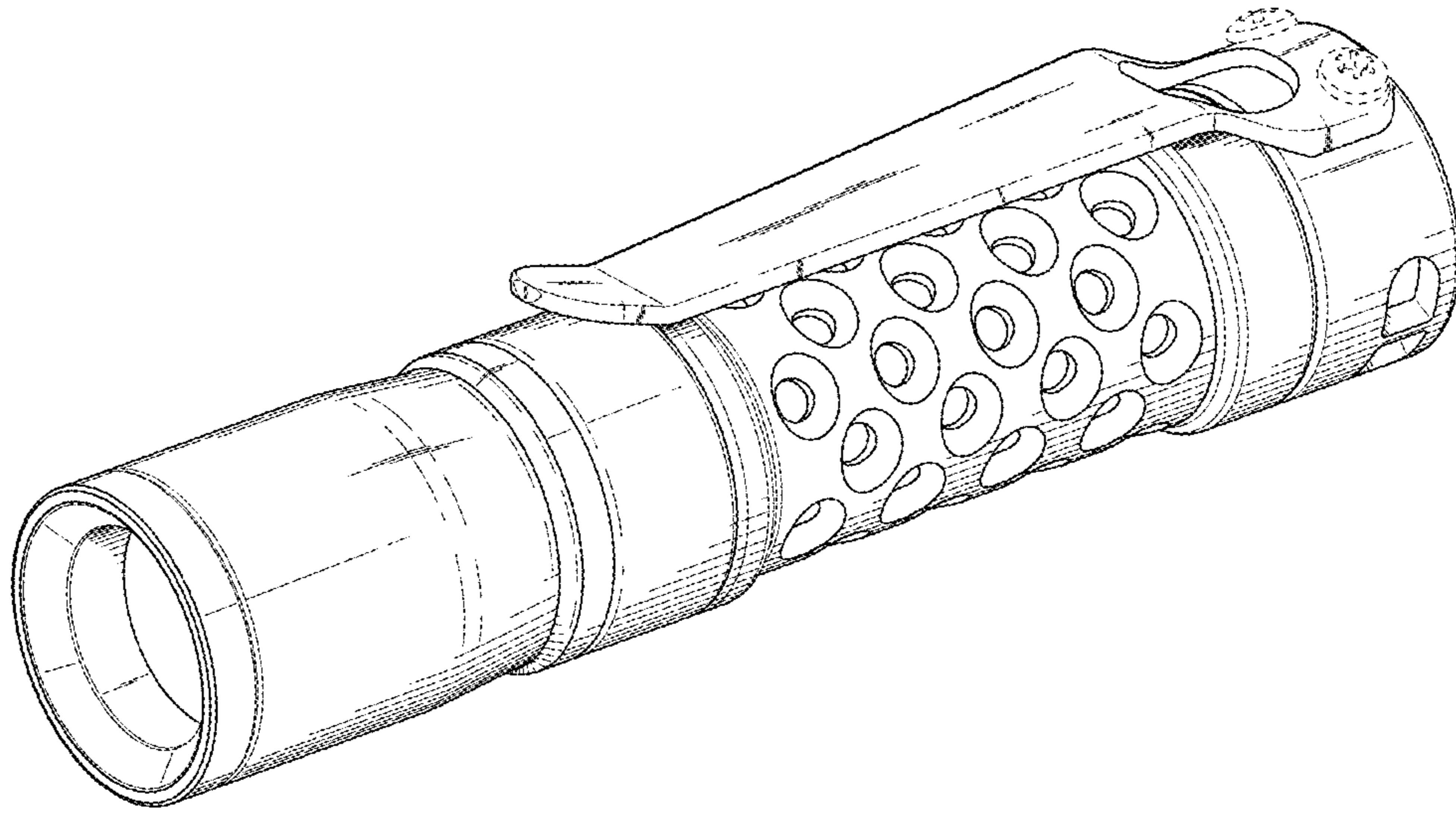
(56)

**References Cited**

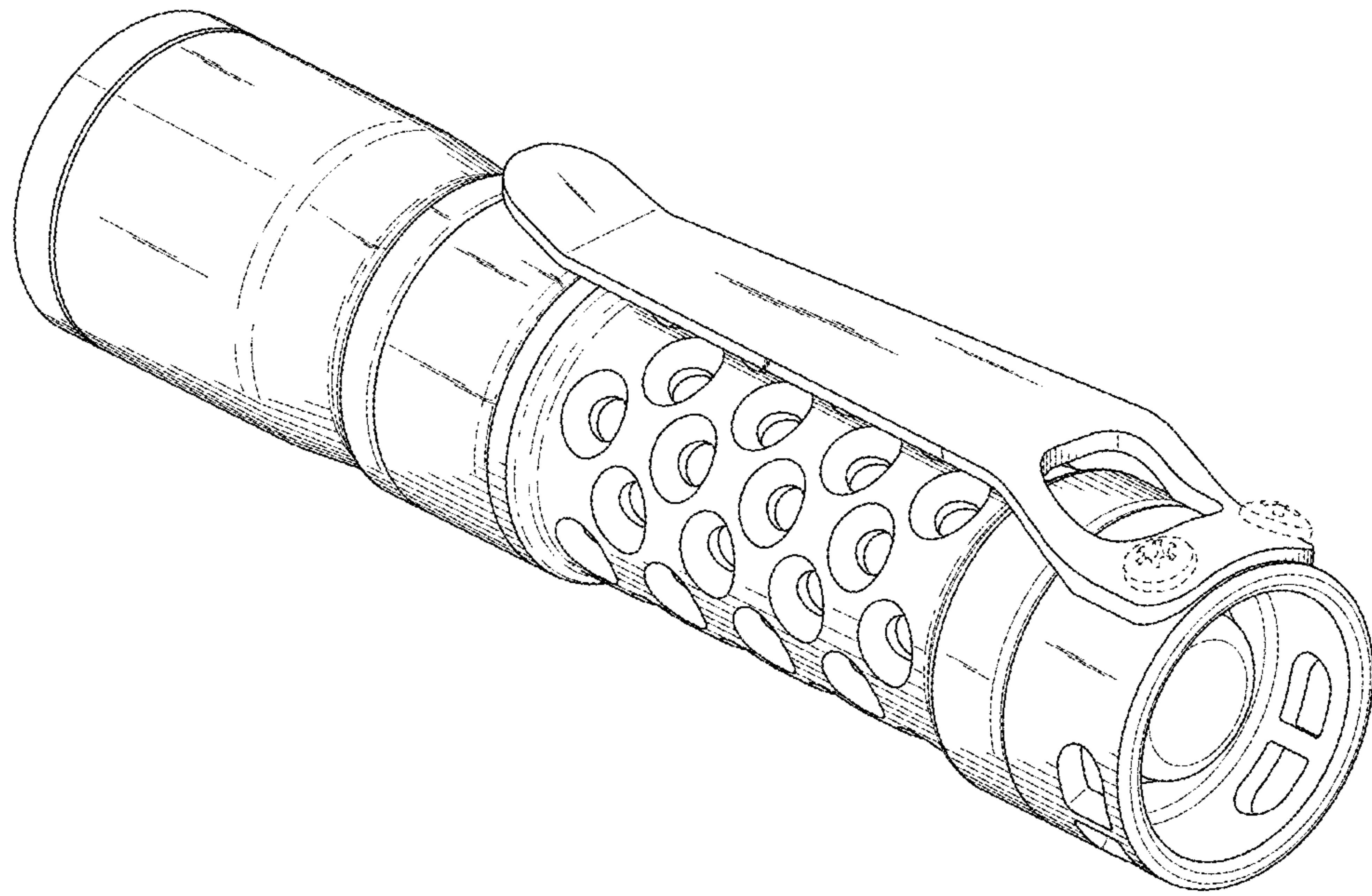
U.S. PATENT DOCUMENTS

2016/0273718 A1\* 9/2016 Kuhn ..... G01R 31/362  
2017/0024981 A1\* 1/2017 Stewart ..... G08B 7/00

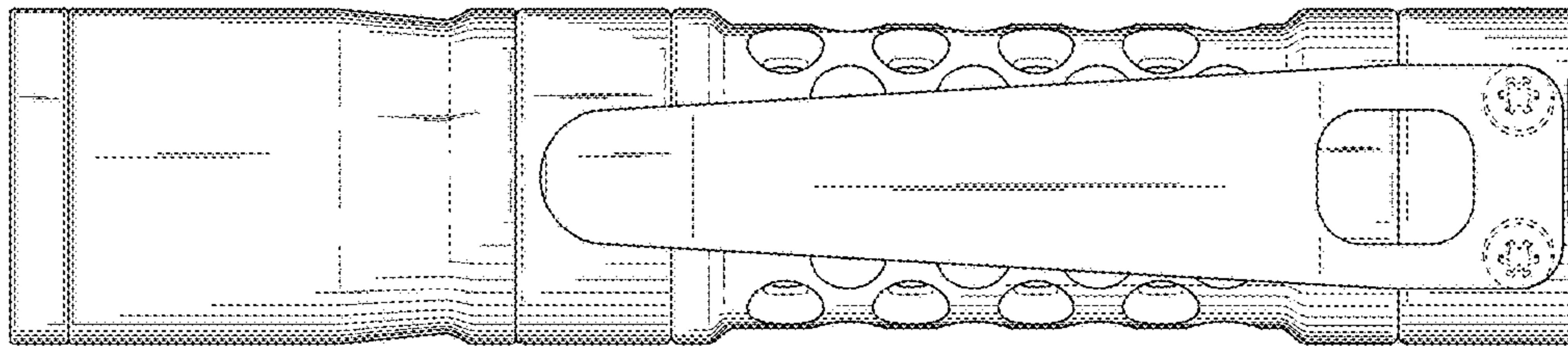
\* cited by examiner



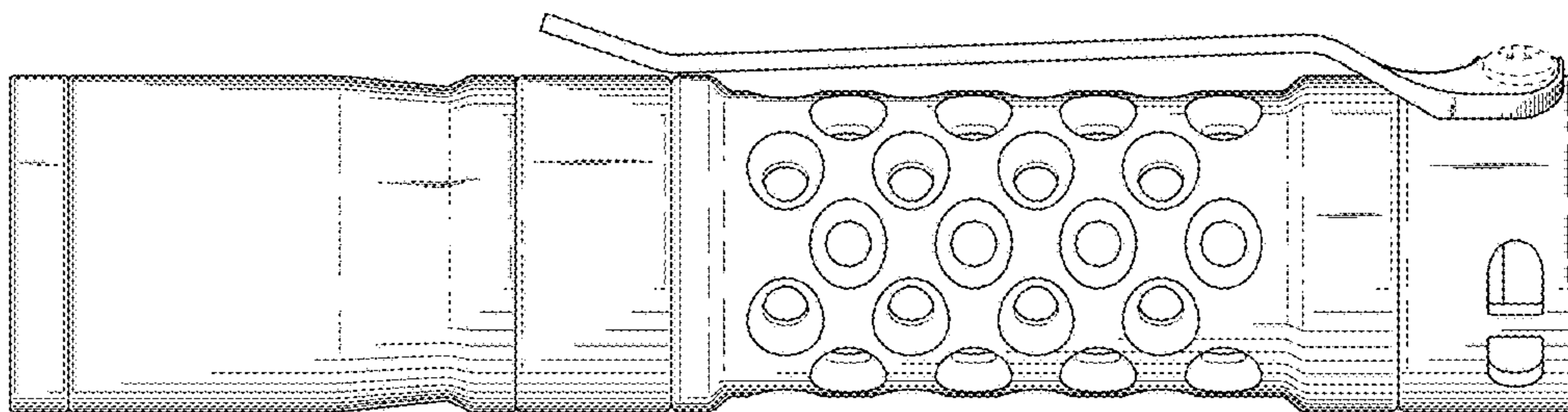
**FIG. 1**



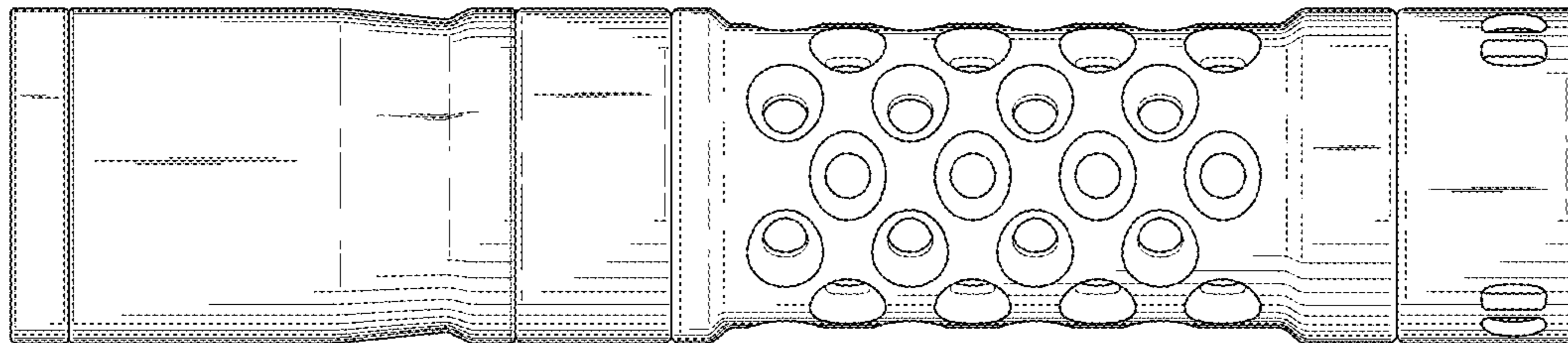
**FIG. 2**



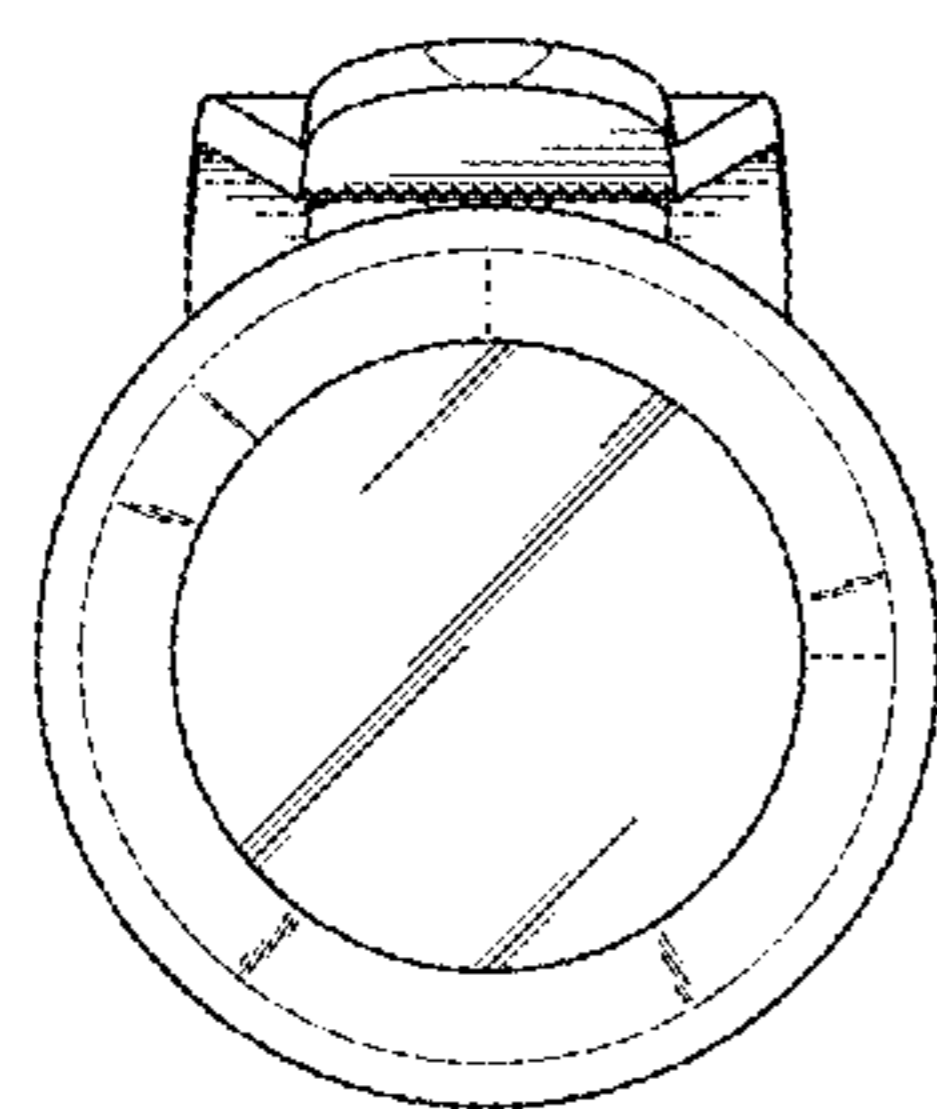
**FIG. 3**



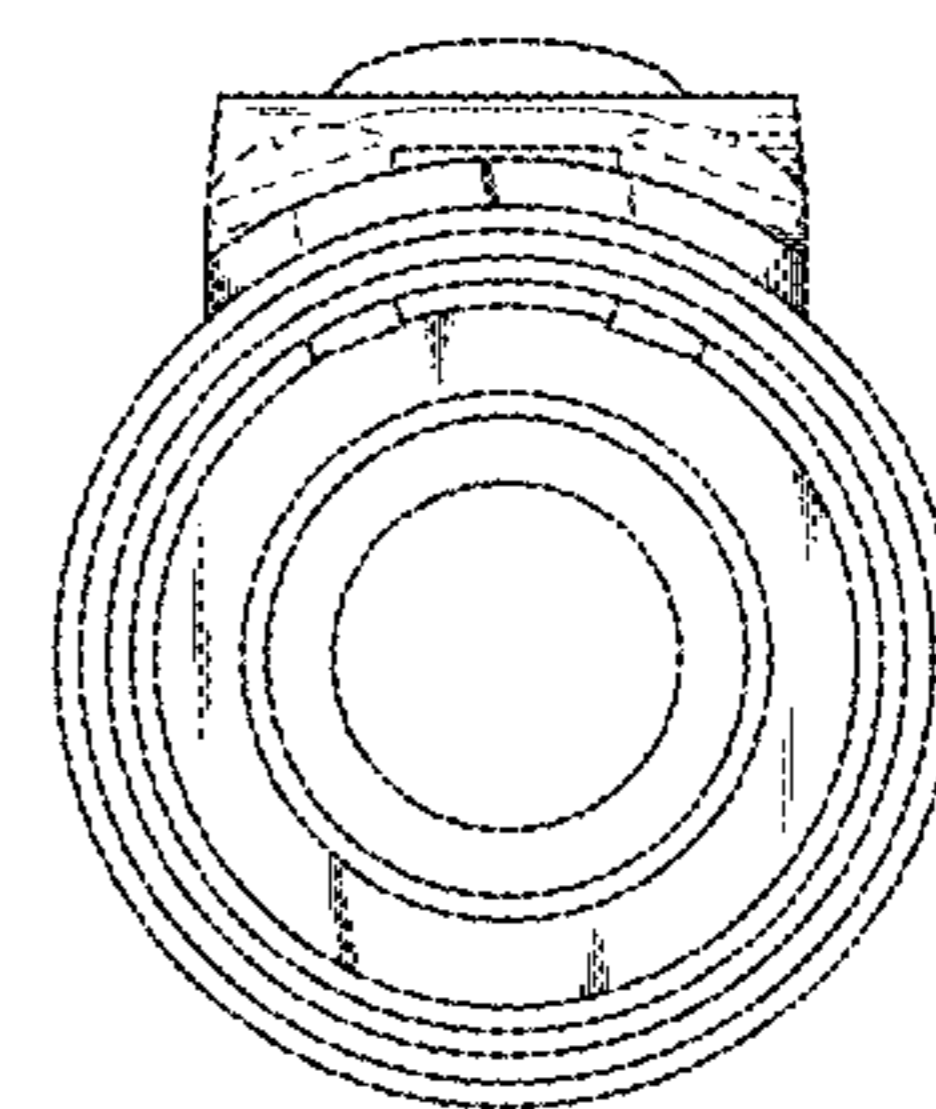
**FIG. 4**



**FIG. 5**



**FIG. 6**



**FIG. 7**