



US00D805667S

(12) **United States Design Patent** (10) **Patent No.:** **US D805,667 S**
Green (45) **Date of Patent:** **** Dec. 19, 2017**

- (54) **HEADLAMP BATTERY HOLDER**
- (71) Applicant: **Home Depot Product Authority, LLC**,
Atlanta, GA (US)
- (72) Inventor: **Adam R. Green**, Marietta, GA (US)
- (73) Assignee: **Home Depot Product Authority, LLC**,
Atlanta, GA (US)
- (**) Term: **15 Years**
- (21) Appl. No.: **29/570,793**
- (22) Filed: **Jul. 12, 2016**

D477,680 S * 7/2003 Petzl D26/39
 D492,052 S * 6/2004 Schnell D26/39
 D544,621 S * 6/2007 Kim D26/37

OTHER PUBLICATIONS

Office Action Received in Canadian Counterpart Application No. 169171, dated Aug. 3, 2016 (1 page).
 Image of Rayovac Virtually Indestructible LED 3AAA Headlight, Model DIYHL3AAA-B, publicly available prior to Oct. 24, 2014.
 Image of Rayovac Indestructible 3AAA 100 Lumen Headlight, Model DIYHPHL-B, publicly available prior to Oct. 24, 2014.
 Another Image of Rayovac Indestructible 3AAA 100 Lumen Headlight, Model DIYHPHL-B, publicly available prior to Oct. 24, 2014.

* cited by examiner

Primary Examiner — Marcus Jackson
 (74) *Attorney, Agent, or Firm* — Greenberg Traurig, LLP

Related U.S. Application Data

- (62) Division of application No. 29/507,210, filed on Oct. 24, 2014, now Pat. No. Des. 762,899.
- (51) **LOC (10) Cl.** **26-02**
- (52) **U.S. Cl.**
USPC **D26/39**
- (58) **Field of Classification Search**
USPC D26/37-50; 362/171-174, 183-208
CPC F21V 33/00; F21V 14/025; F21V 21/046;
F21V 2101/02; F21L 17/00; F21L 13/08
See application file for complete search history.

(57) **CLAIM**

The ornamental design for a headlamp battery holder, as shown and described.

DESCRIPTION

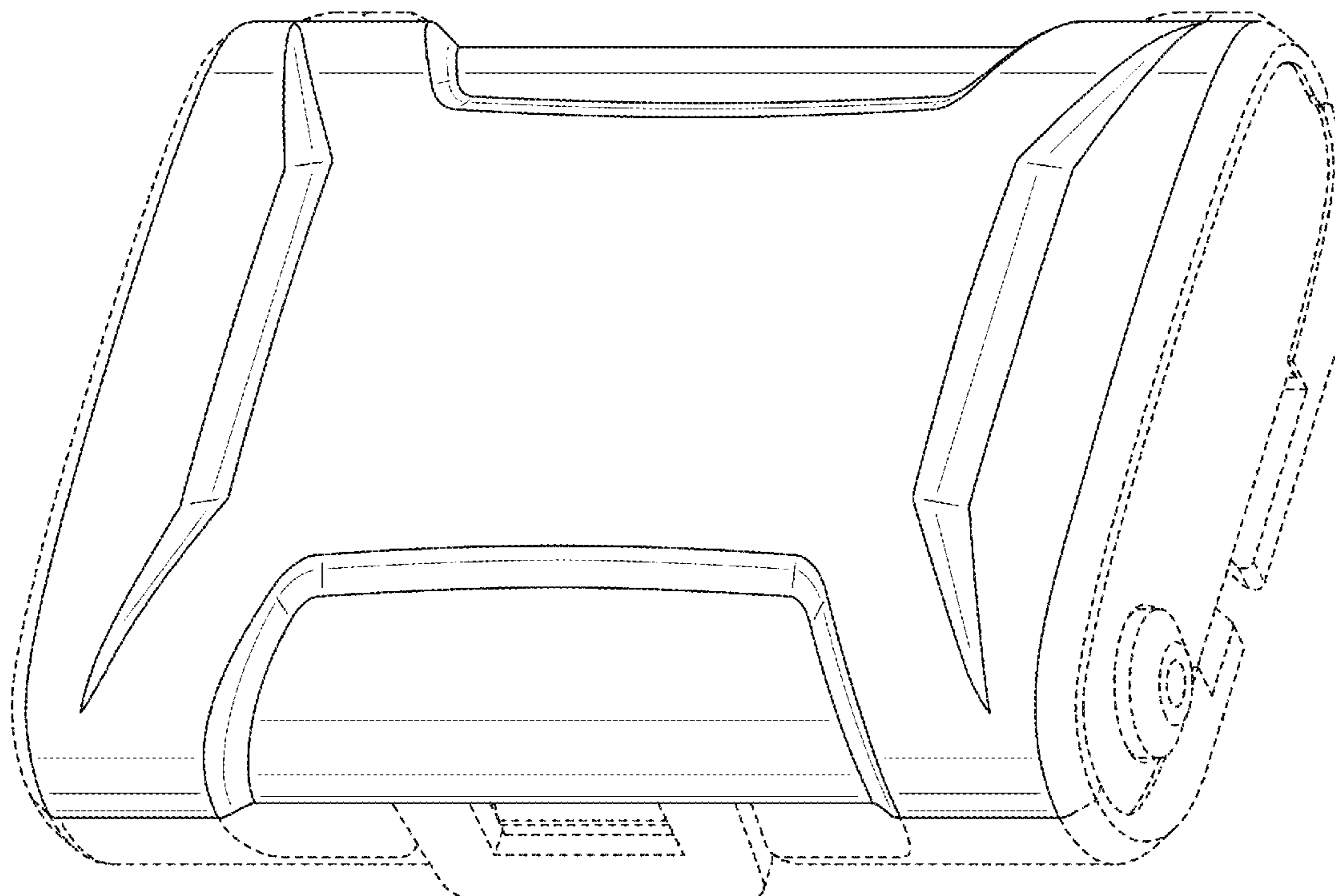
FIG. 1 is a perspective view of my headlamp battery holder; FIG. 2 is a front view thereof; FIG. 3 is a right view thereof; FIG. 4 is a left view thereof; FIG. 5 is a top view thereof; and, FIG. 6 is a bottom view thereof.
 The dashed lines in the figures represent environmental structure only and form no part of the claimed design.

(56) **References Cited**

U.S. PATENT DOCUMENTS

D405,202 S * 2/1999 Fattori D26/39
 D470,615 S * 2/2003 Janice D26/39

1 Claim, 5 Drawing Sheets



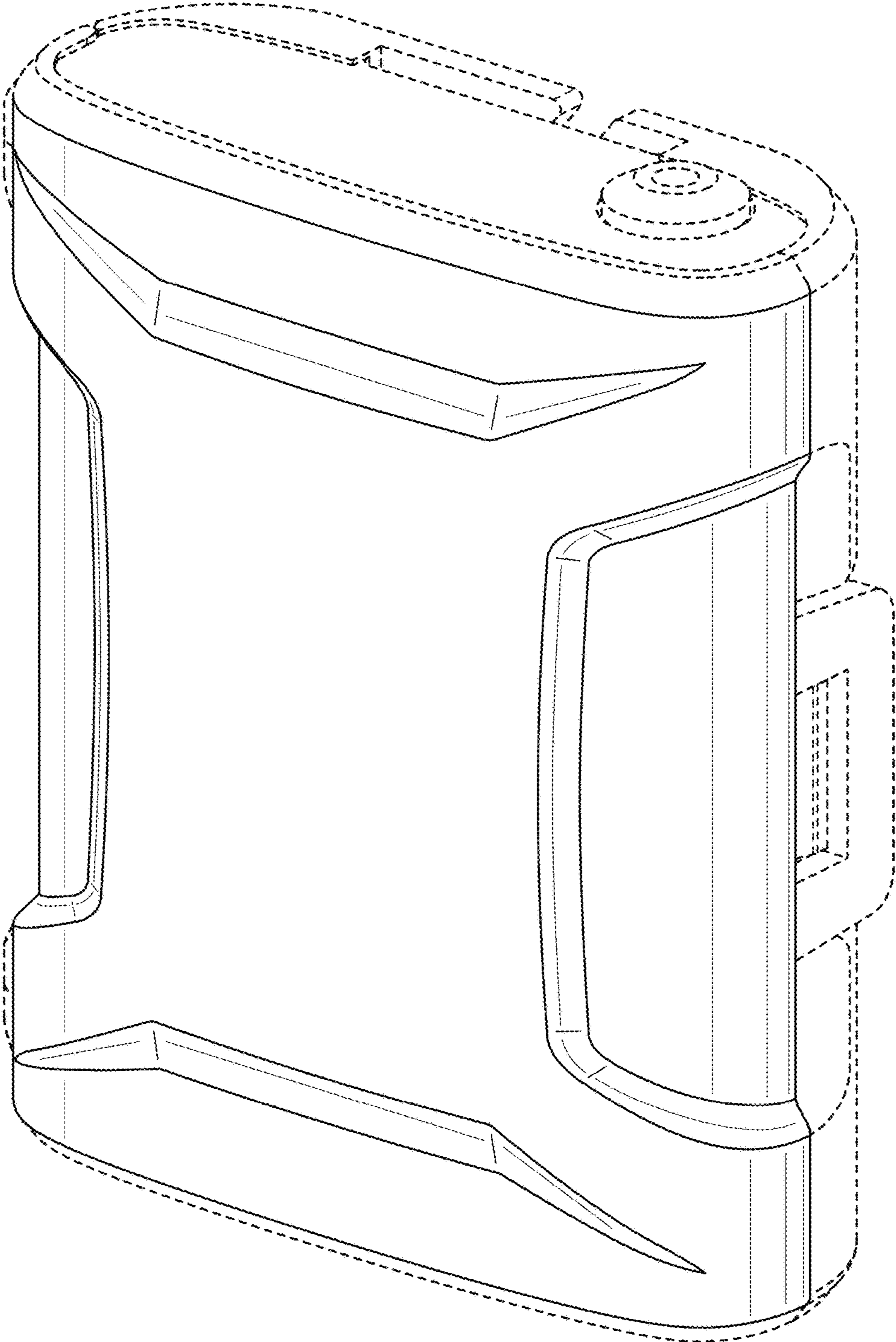


FIG. 1

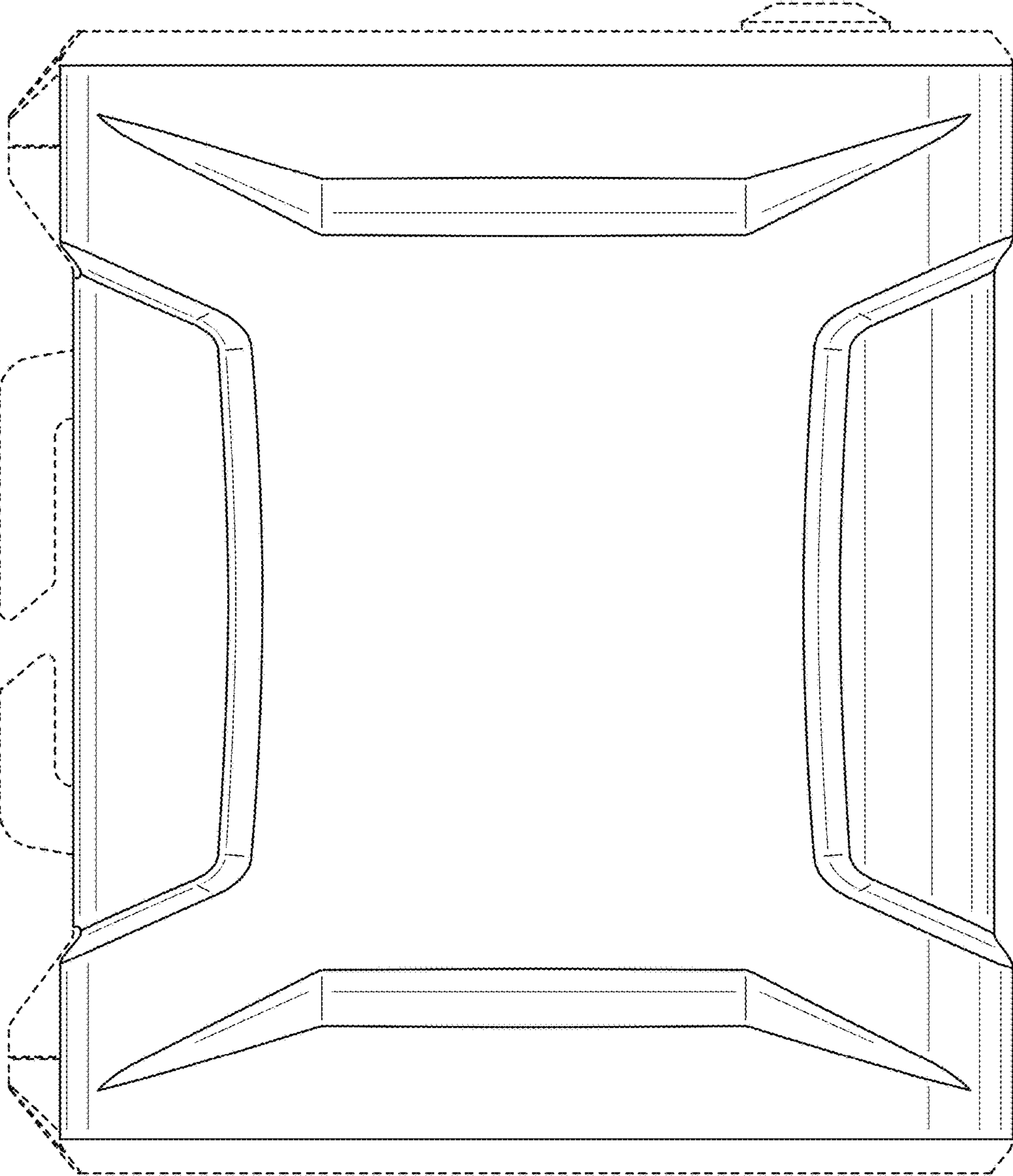


FIG. 2

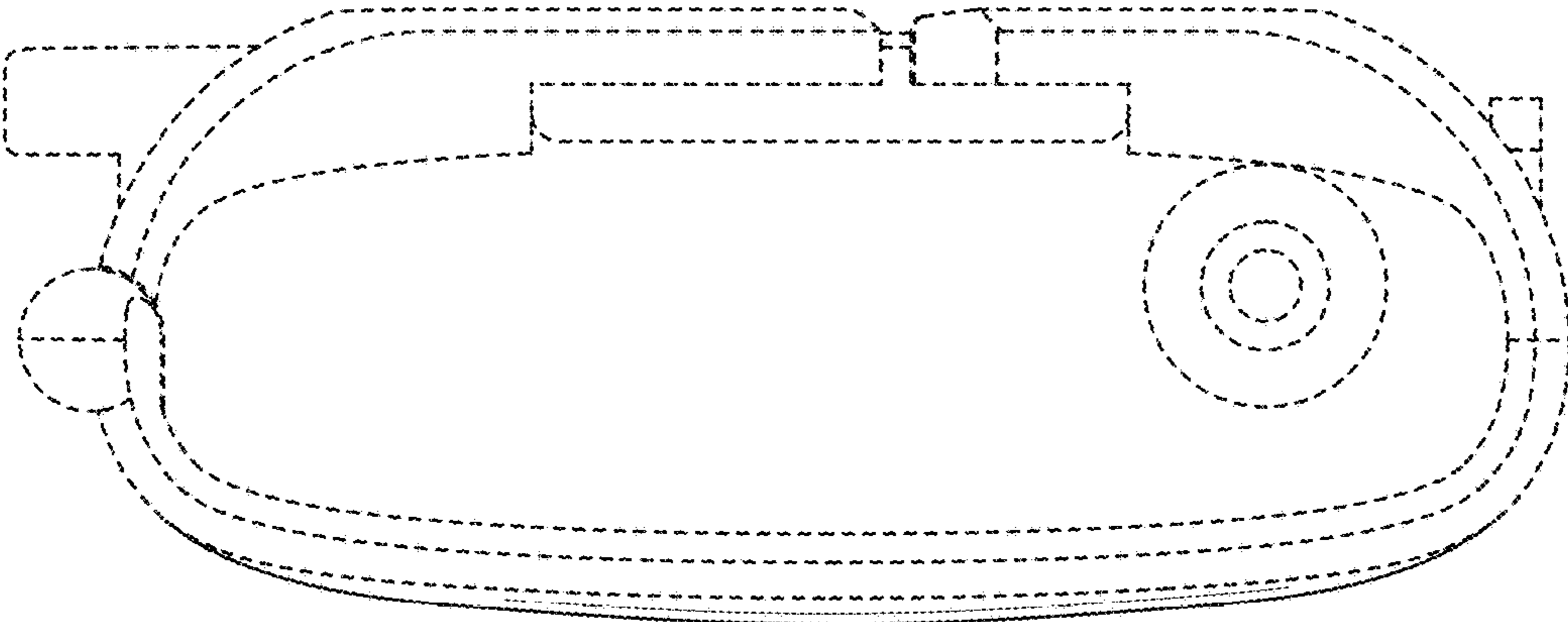


FIG. 4

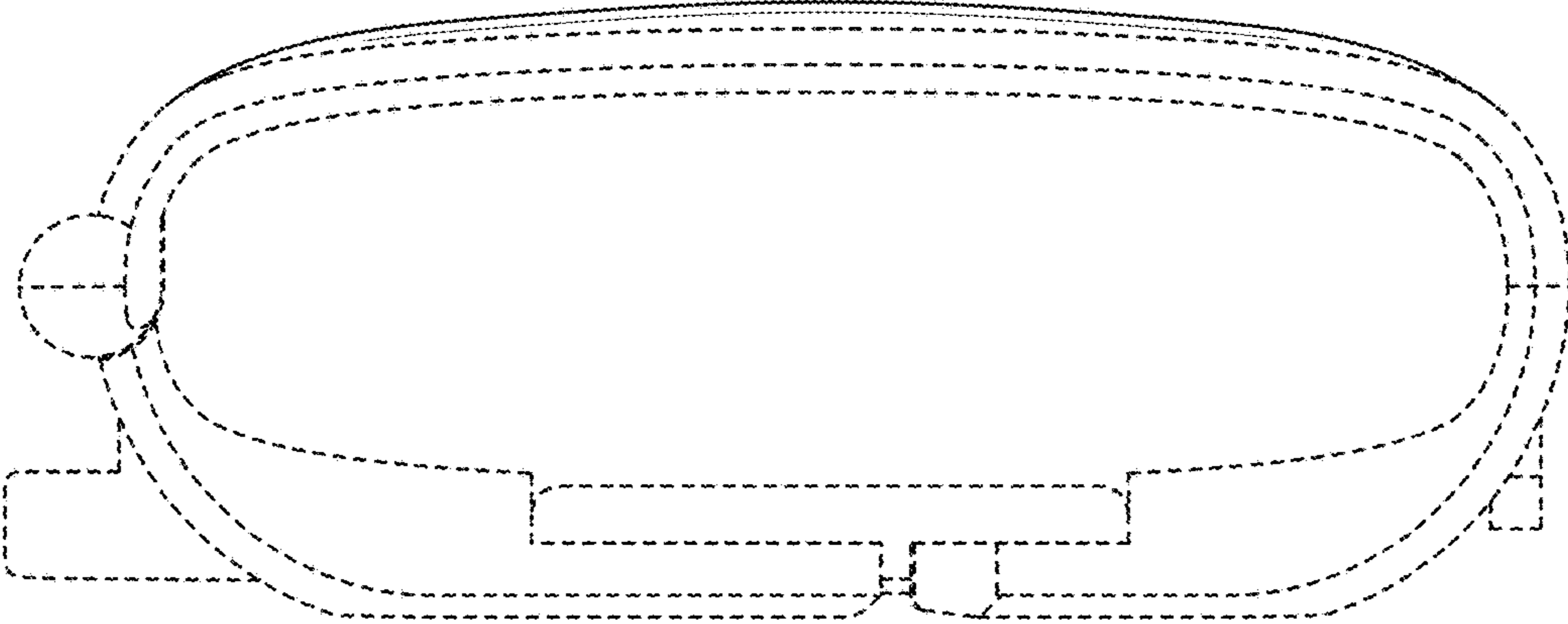


FIG. 3

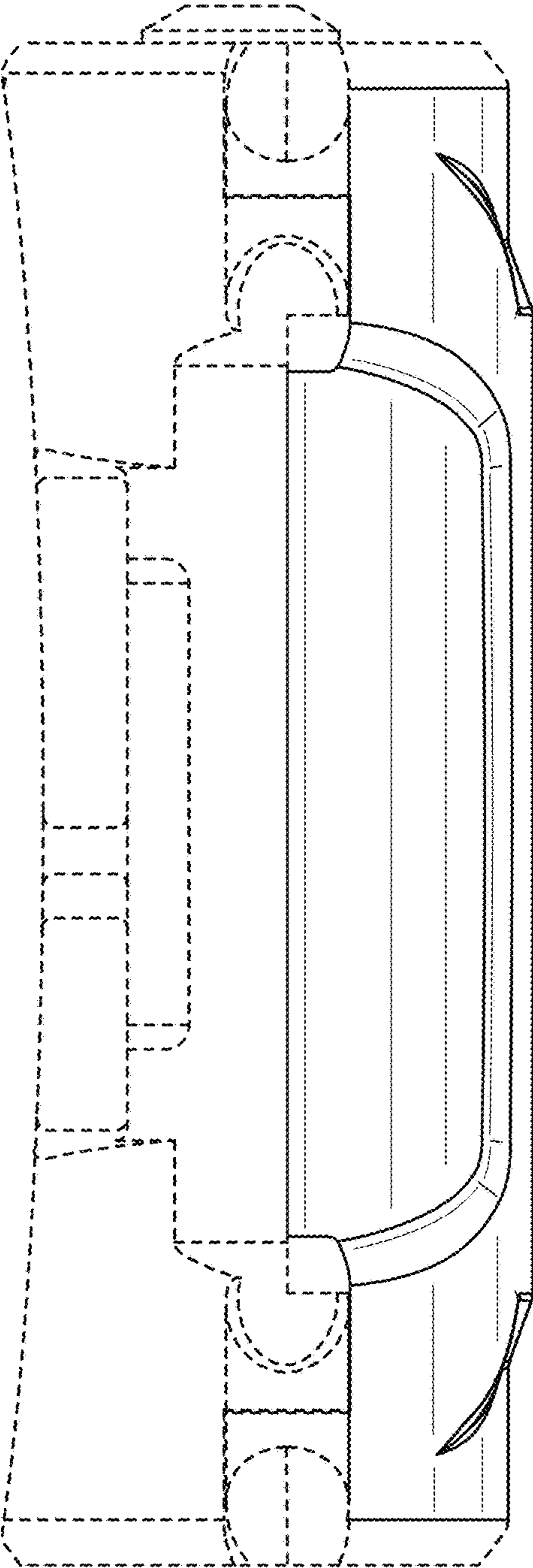


FIG. 5

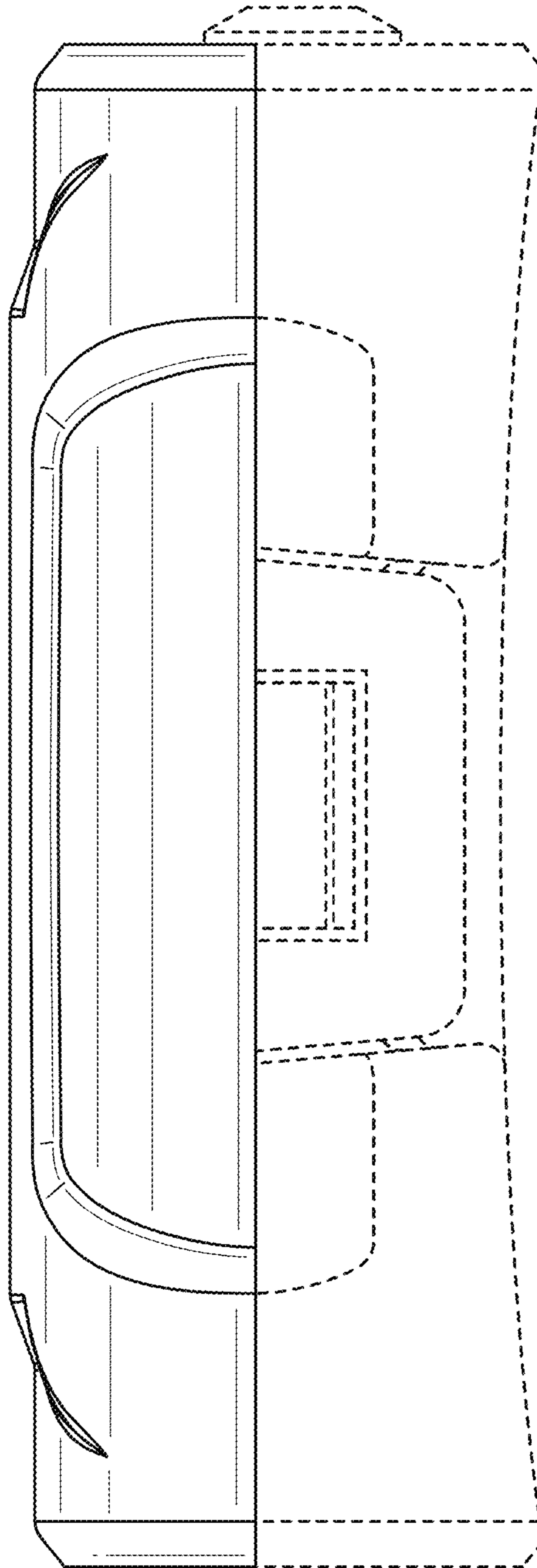


FIG. 6