



US00D805664S

(12) **United States Design Patent**
Morgenstern

(10) **Patent No.:** **US D805,664 S**

(45) **Date of Patent:** **** Dec. 19, 2017**

(54) **HEADLIGHT FOR A VEHICLE**
(71) Applicant: **Bayerische Motoren Werke**
Aktiengesellschaft, Munich (DE)
(72) Inventor: **Sebastian Morgenstern, Munich (DE)**
(73) Assignee: **Bayerische Motoren Werke**
Aktiengesellschaft, Munich (DE)
(**) Term: **15 Years**

D490,172 S * 5/2004 Yamamoto D26/28
D490,550 S * 5/2004 Chen D26/28
D493,006 S * 7/2004 Liu D26/28
D496,112 S * 9/2004 Lin D26/28
D667,973 S 9/2012 Schneider
D744,675 S 12/2015 Schneider

(21) Appl. No.: **29/581,557**
(22) Filed: **Oct. 20, 2016**

FOREIGN PATENT DOCUMENTS

WO DM/072780 6/2010
* cited by examiner

(30) **Foreign Application Priority Data**
Apr. 21, 2016 (DE) 40 2016 100 514
(51) **LOC (10) Cl.** **26-06**
(52) **U.S. Cl.**
USPC **D26/28**
(58) **Field of Classification Search**
USPC D26/28-36; 362/80-83, 267-269,
362/459-468, 475-478, 485-487
CPC F21S 48/00; F21S 48/10; F21S 48/115;
F21S 48/1233; F21S 48/1266; F21S
48/1388; F21S 48/2268; F21V 21/04
See application file for complete search history.

Primary Examiner — Marcus Jackson
(74) *Attorney, Agent, or Firm* — Crowell & Moring LLP

(56) **References Cited**
U.S. PATENT DOCUMENTS

D481,477 S * 10/2003 Horowitz D26/28
D482,807 S * 11/2003 Shiesh D26/28

(57) **CLAIM**

The ornamental design for a headlight for a vehicle, as shown and described.

DESCRIPTION

FIG. 1 is a front view of a headlight for a vehicle according to the design;
FIG. 2 is a right, front perspective view thereof;
FIG. 3 is a left, front perspective view thereof;
FIG. 4 is a right side view thereof;
FIG. 5 is a left side view thereof;
FIG. 6 is a top view thereof;
FIG. 7 is a bottom view thereof; and,
FIG. 8 is a rear view thereof.

1 Claim, 8 Drawing Sheets





Fig. 1



Fig. 2



Fig. 3



Fig. 4



Fig. 5

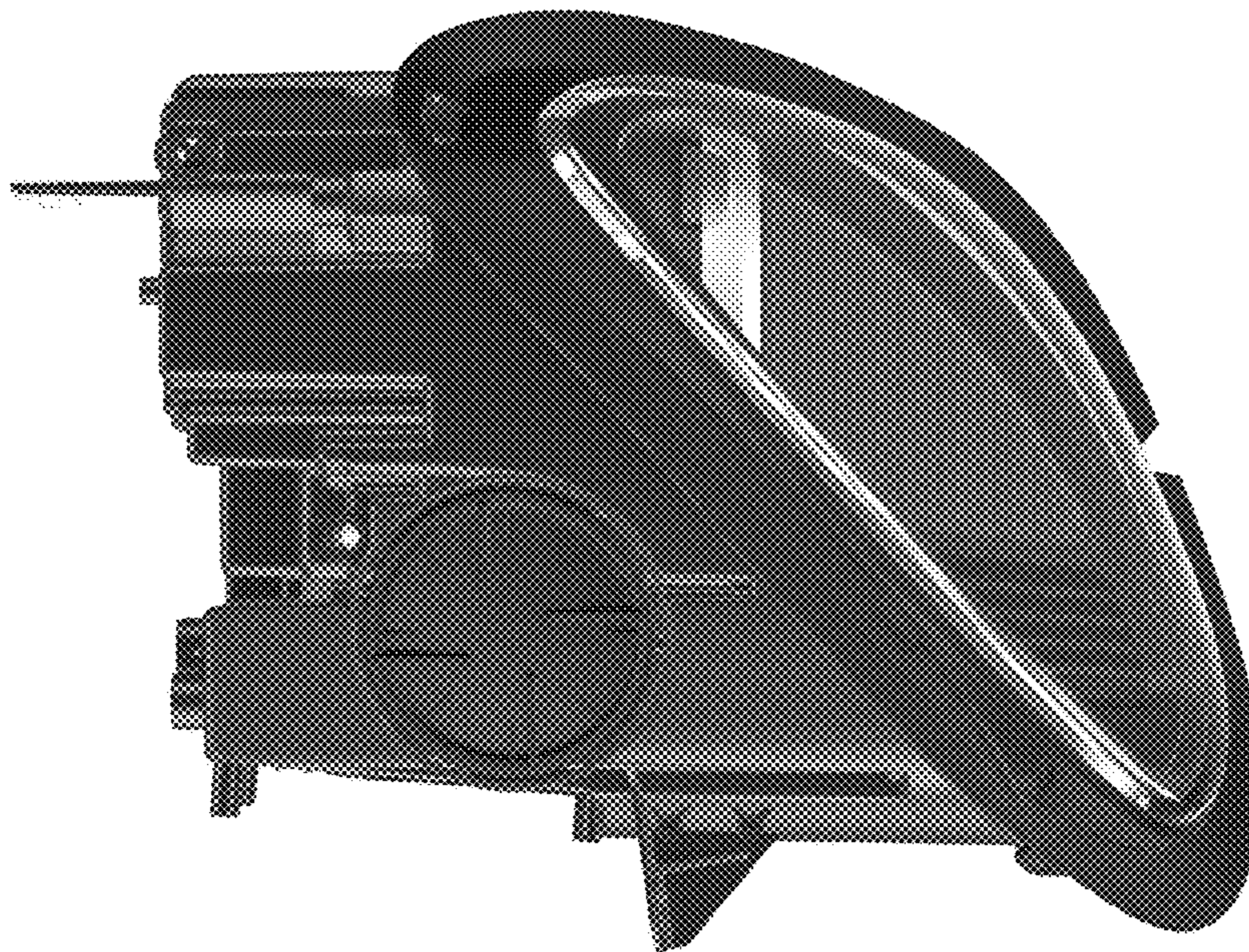


Fig. 6

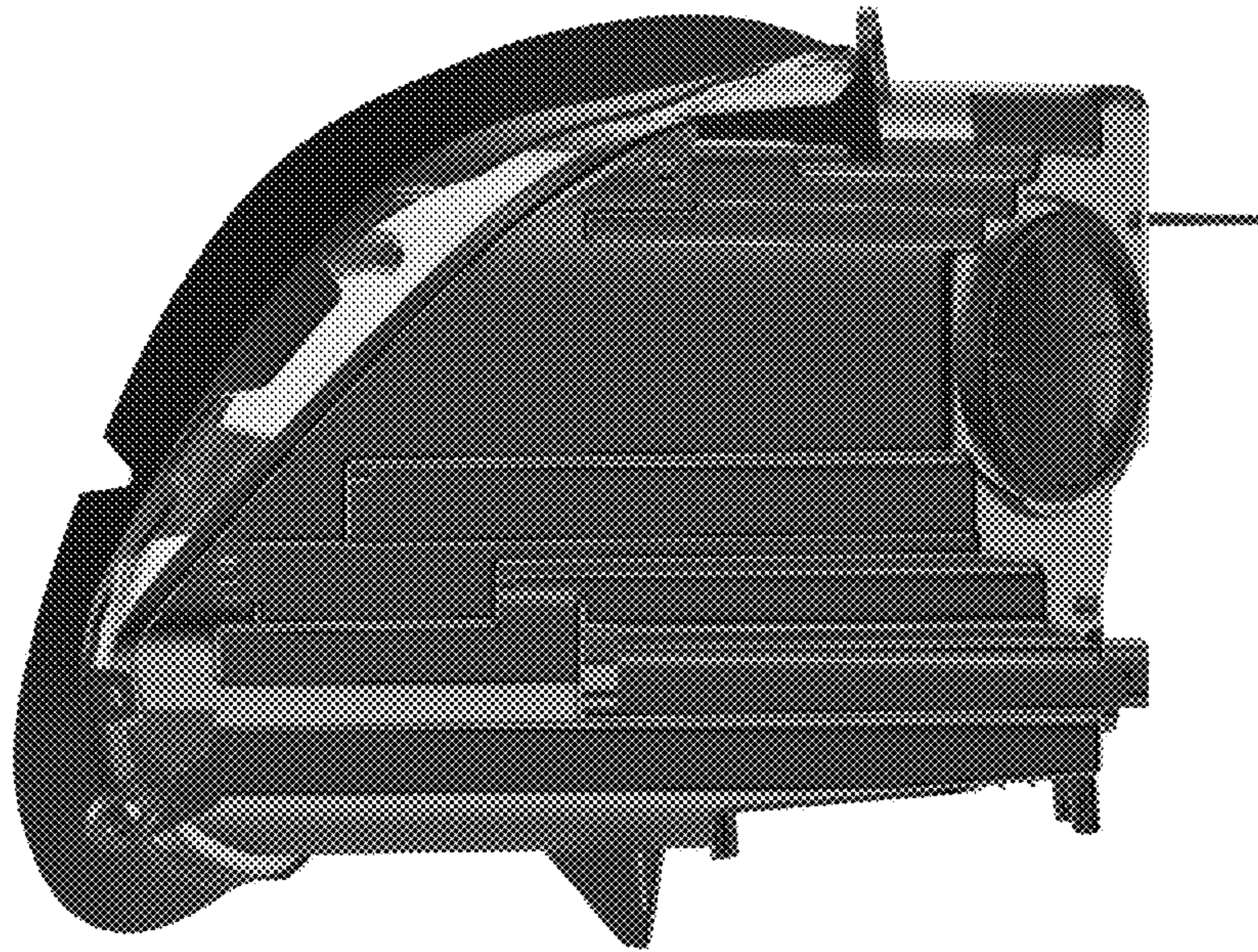


Fig. 7

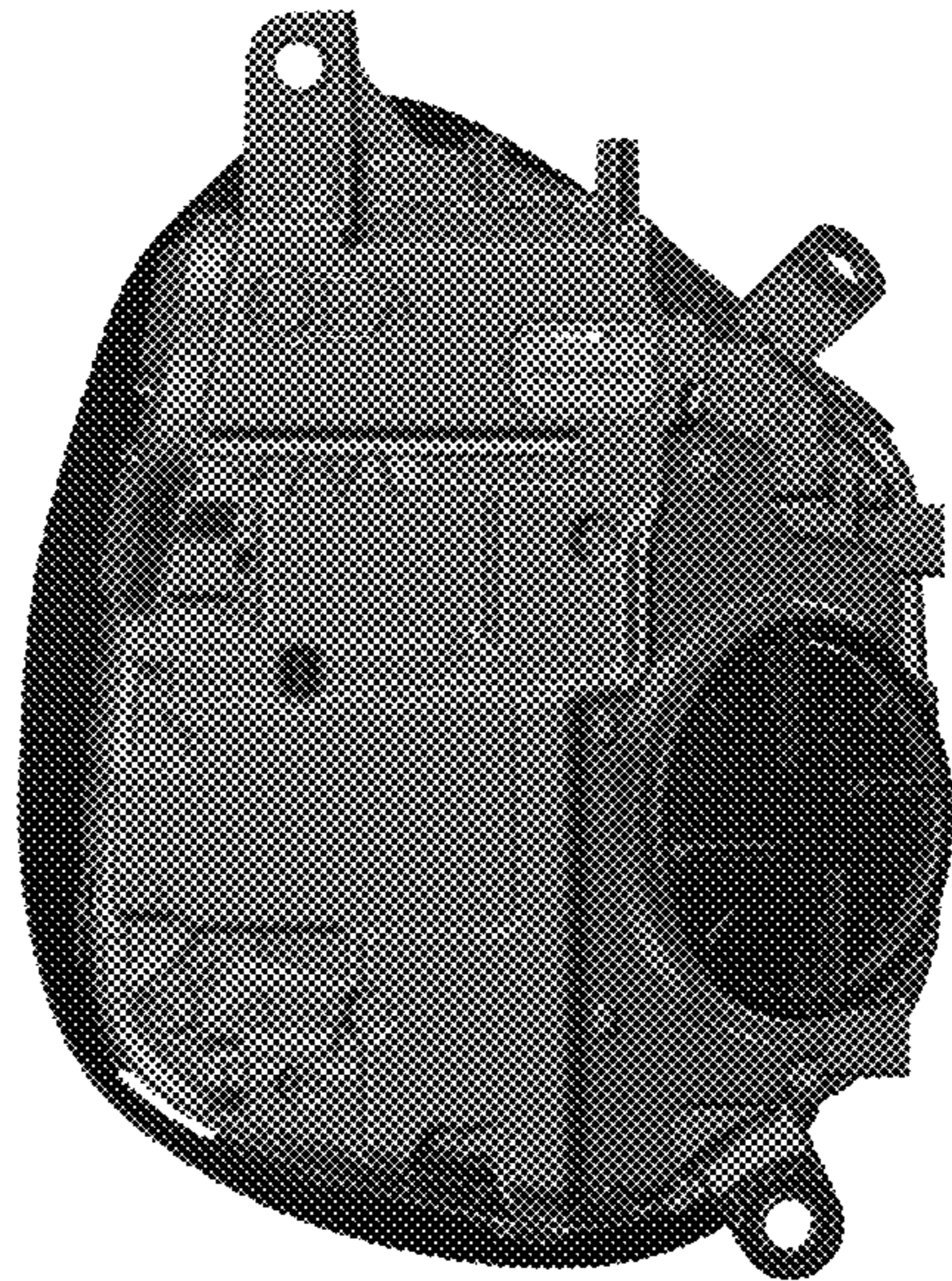


Fig. 8