



US00D805663S

(12) **United States Design Patent** (10) **Patent No.:** **US D805,663 S**
Koizumi et al. (45) **Date of Patent:** **** Dec. 19, 2017**

(54) **FRONT COMBINATION LAMP FOR AN AUTOMOBILE**

(71) Applicant: **Nissan Motor Co., Ltd.**, Yokohama, Kanagawa (JP)

(72) Inventors: **Kenichiro Koizumi**, San Diego, CA (US); **Tadashi Katou**, Kanagawa (JP)

(73) Assignee: **Nissan Motor Co., Ltd.**, Yokohama (JP)

(**) Term: **15 Years**

(21) Appl. No.: **29/573,292**

(22) Filed: **Aug. 4, 2016**

(30) **Foreign Application Priority Data**

Feb. 5, 2016 (JP) 2016-002483

(51) **LOC (10) Cl.** **26-06**

(52) **U.S. Cl.**
USPC **D26/28**

(58) **Field of Classification Search**
USPC D26/28-36; 362/80-83, 267-269, 362/459-468, 475-478, 485-487
(Continued)

(56) **References Cited**

U.S. PATENT DOCUMENTS

D528,685 S * 9/2006 Yoshida D26/28
D544,114 S * 6/2007 Ohta D26/28
(Continued)

FOREIGN PATENT DOCUMENTS

JP D1341272 S 10/2008
JP D1329557 S 5/2009
(Continued)

Primary Examiner — Marcus Jackson
(74) *Attorney, Agent, or Firm* — Global IP Counselors, LLP

(57) **CLAIM**

The ornamental design for a front combination lamp for an automobile, as shown and described.

DESCRIPTION

FIG. 1 is a front elevational view of a front combination lamp for an automobile in accordance with a first embodiment of our new design;

FIG. 2 is a rear elevational view of the front combination lamp in accordance with the first embodiment of our new design of FIG. 1;

FIG. 3 is a top plan view of the front combination lamp in accordance with the first embodiment of our new design of FIGS. 1 and 2;

FIG. 4 is a bottom plan view of the front combination lamp in accordance with the first embodiment of our new design of FIGS. 1 to 3;

FIG. 5 is a right side elevational view of the front combination lamp in accordance with the first embodiment of our new design of FIGS. 1 to 4;

FIG. 6 is a left side elevational view of the front combination lamp in accordance with the first embodiment of our new design of FIGS. 1 to 5; and,

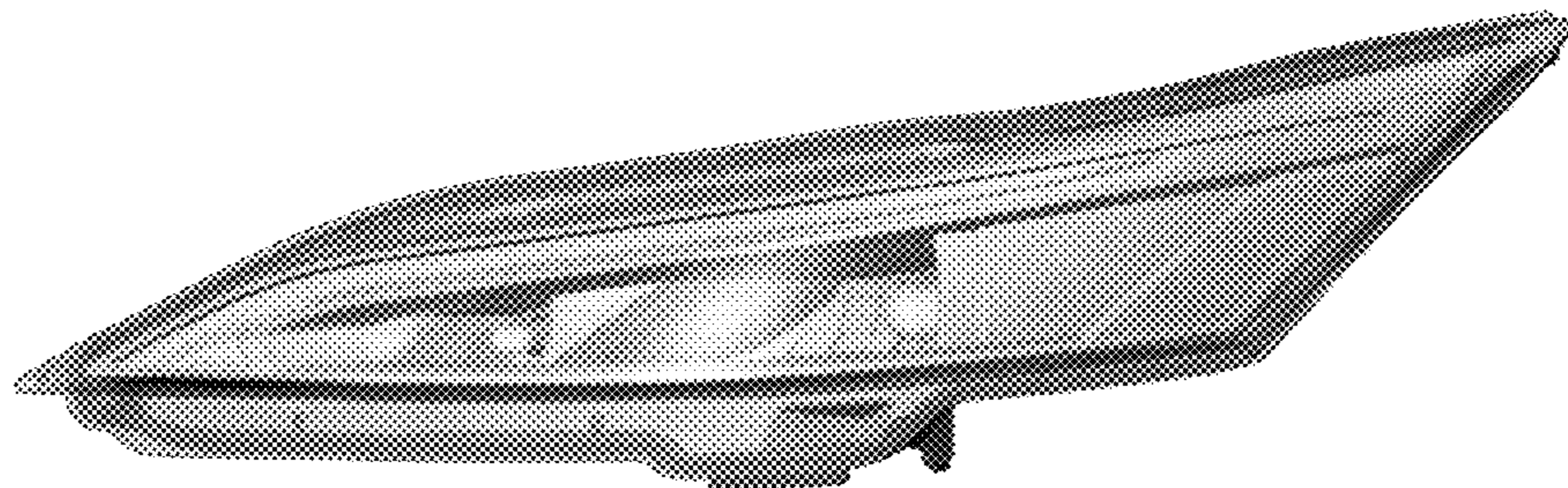
FIG. 7 is a front side perspective view of the front combination lamp in accordance with the first embodiment of our new design of FIGS. 1 to 6.

The front combination lamp is configured to be mounted to an automobile. The mounting structure and support structure of the front combination lamp, visible in FIGS. 1 to 7, form no part of the claimed design since the mounting structure and support structure are hidden when the front combination lamp is mounted to the automobile.

In addition, the appearance of the rear side structures and inside side structures of the front combination lamp as seen in FIGS. 1 to 7 is for purpose of illustrating the boundaries of the exterior surface of the outside of the front combination lamp, and forms no part of the claimed design.

A second embodiment of our new design is identical to the first embodiment except that the second embodiment of our new design includes the mirror image of the front combination lamp shown in FIGS. 1 to 7.

1 Claim, 7 Drawing Sheets



US D805,663 S

Page 2

(58) **Field of Classification Search**

CPC F21S 48/00; F21S 48/10; F21S 48/115;
F21S 48/1233; F21S 48/1266; F21S
48/1388; F21S 48/2268; F21V 21/04
See application file for complete search history.

D755,425 S 5/2016 Kong et al.
D761,463 S 7/2016 Lai
D789,572 S 6/2017 Peat

(56)

References Cited

U.S. PATENT DOCUMENTS

D560,291 S * 1/2008 Koyama D26/28
D561,358 S * 2/2008 Tachibana D26/28
D597,232 S * 7/2009 Hanaoka D26/28
D683,057 S 5/2013 Aikawa et al.
D708,375 S 7/2014 Endo
D709,224 S 7/2014 Lai
D717,980 S 11/2014 Lai
D719,689 S 12/2014 Gotschke
D720,870 S 1/2015 Lim et al.
D726,353 S * 4/2015 Yagihashi D26/28
D749,763 S 2/2016 Sa et al.
D755,424 S 5/2016 Kong et al.

FOREIGN PATENT DOCUMENTS

JP D1415834 S 6/2012
JP D1415836 S 6/2012
JP D1417805 S 6/2012
JP D1445525 S 7/2012
JP D1474969 S 12/2013
JP D1491430 S 3/2014
JP D1504314 S 8/2014
JP D1458994 S 1/2015
JP D1465865 S 3/2015
JP D1538026 S 11/2015
JP D1538028 S 11/2015
JP D1555743 S 8/2016
JP D1583774 S 8/2017
JP D1583788 S 8/2017
JP D1584899 S 8/2017

* cited by examiner

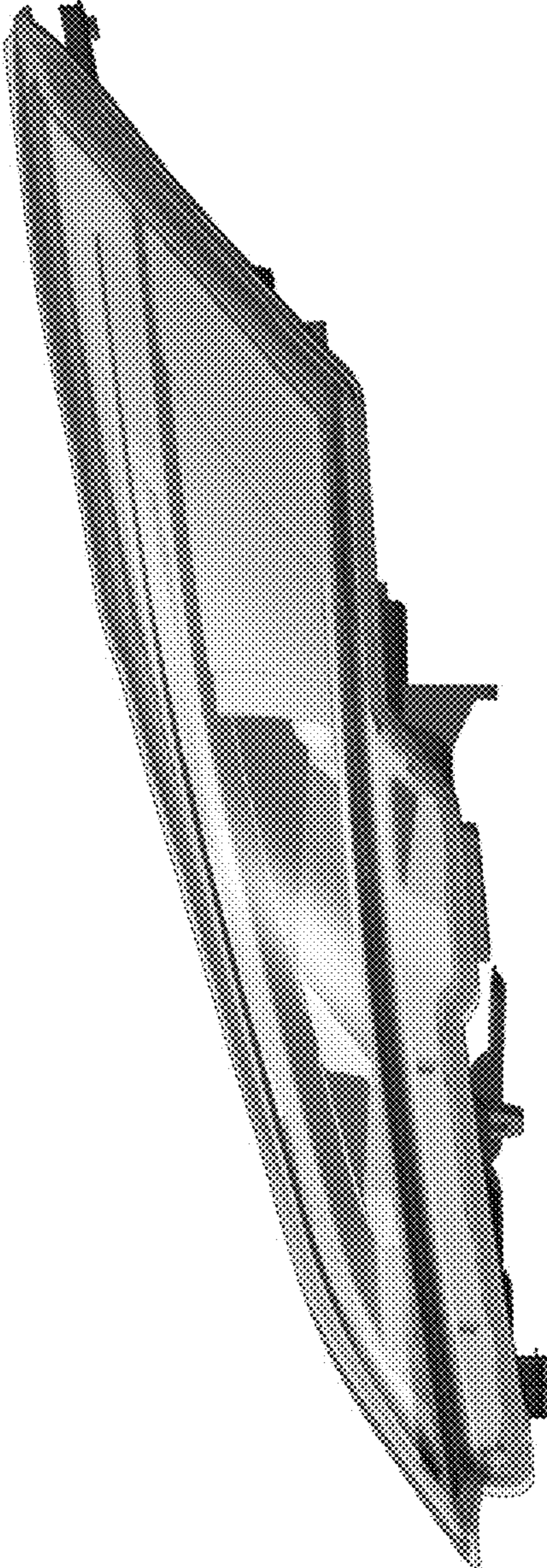


FIG. 1

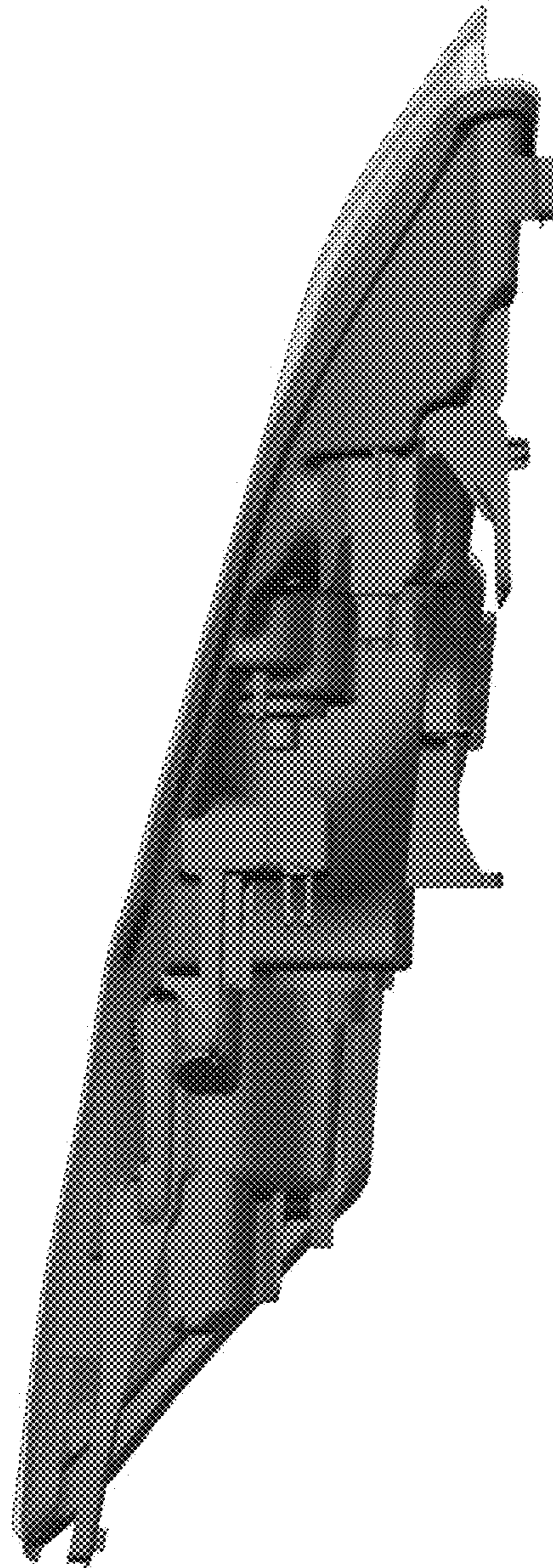


FIG. 2

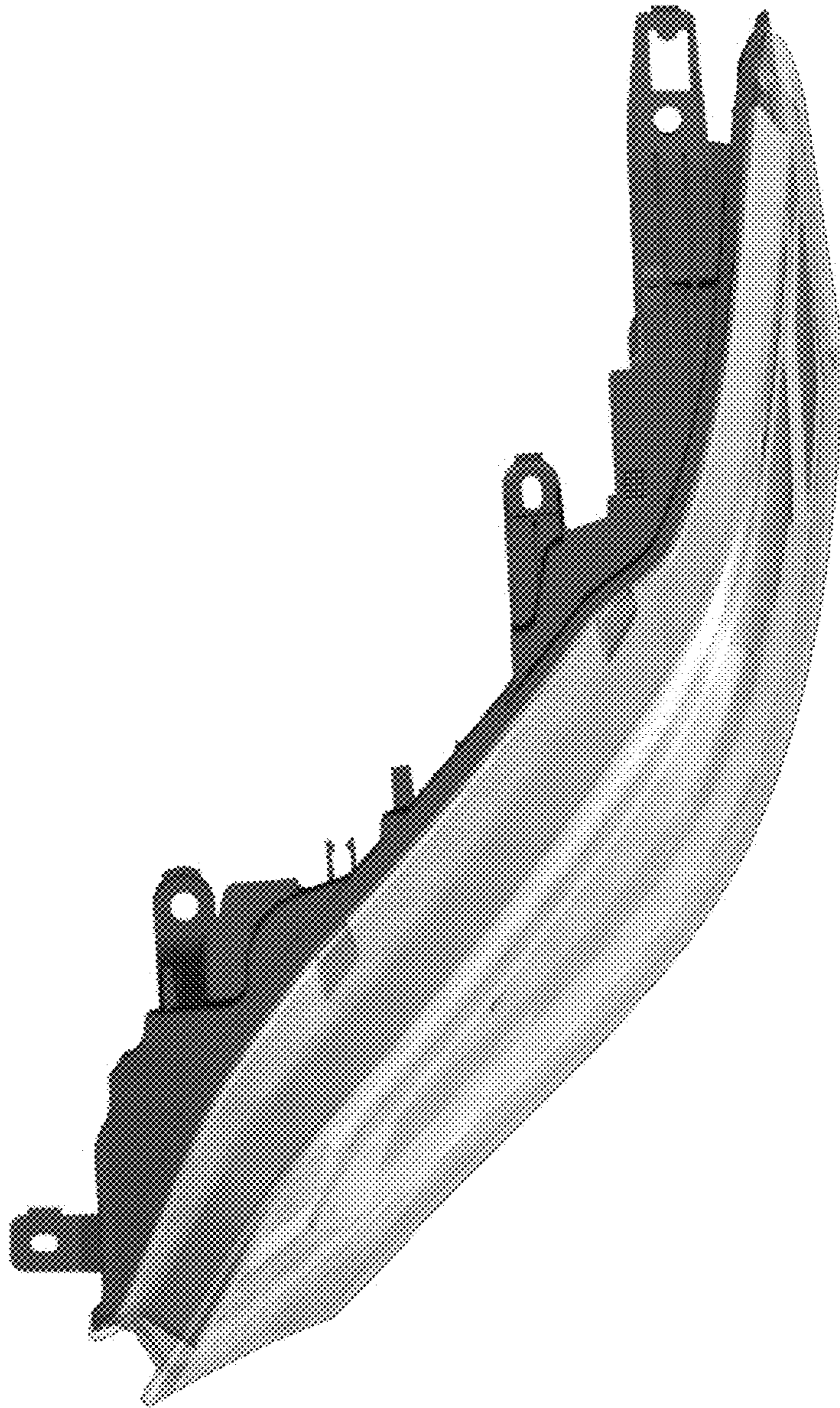


FIG. 3

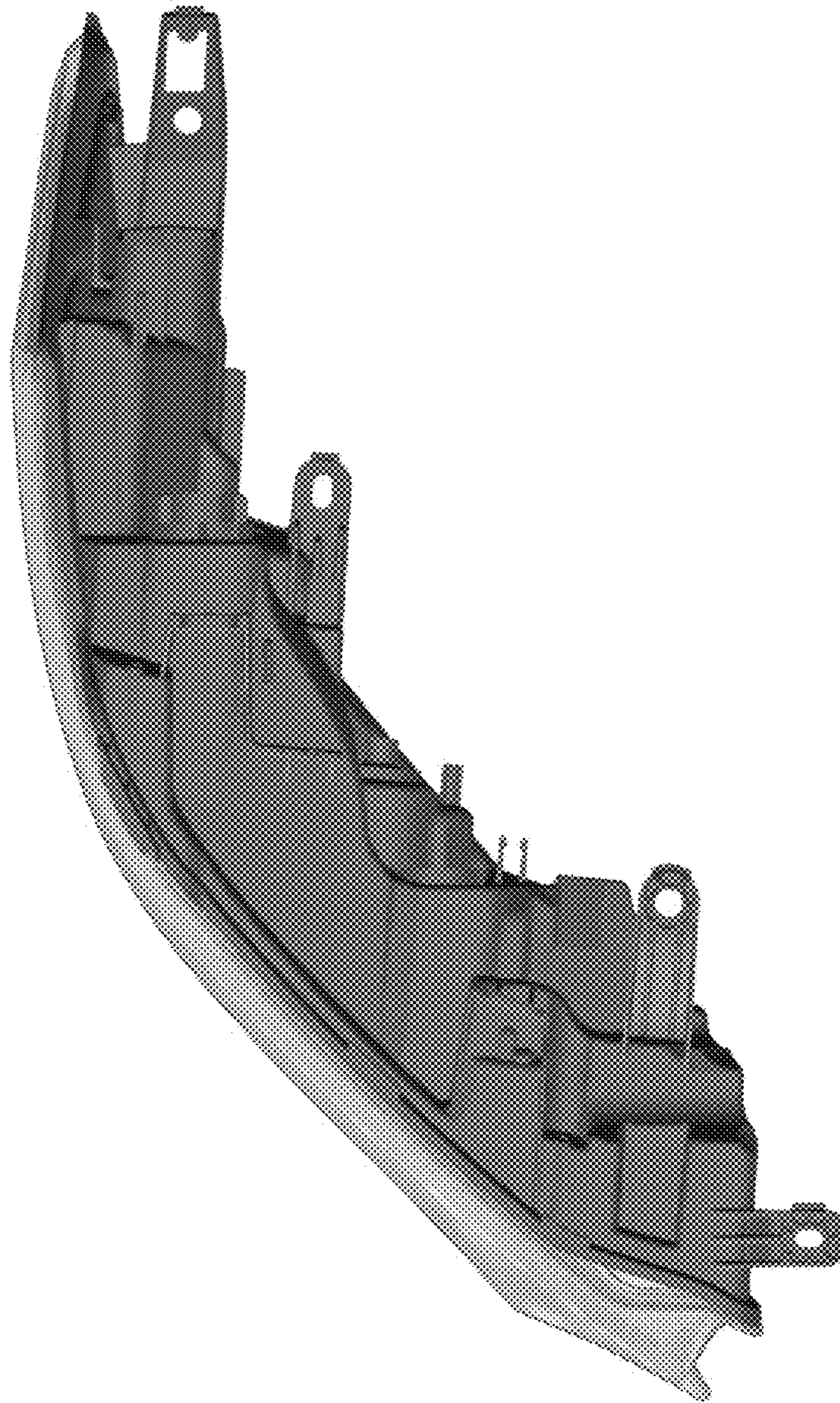


FIG. 4

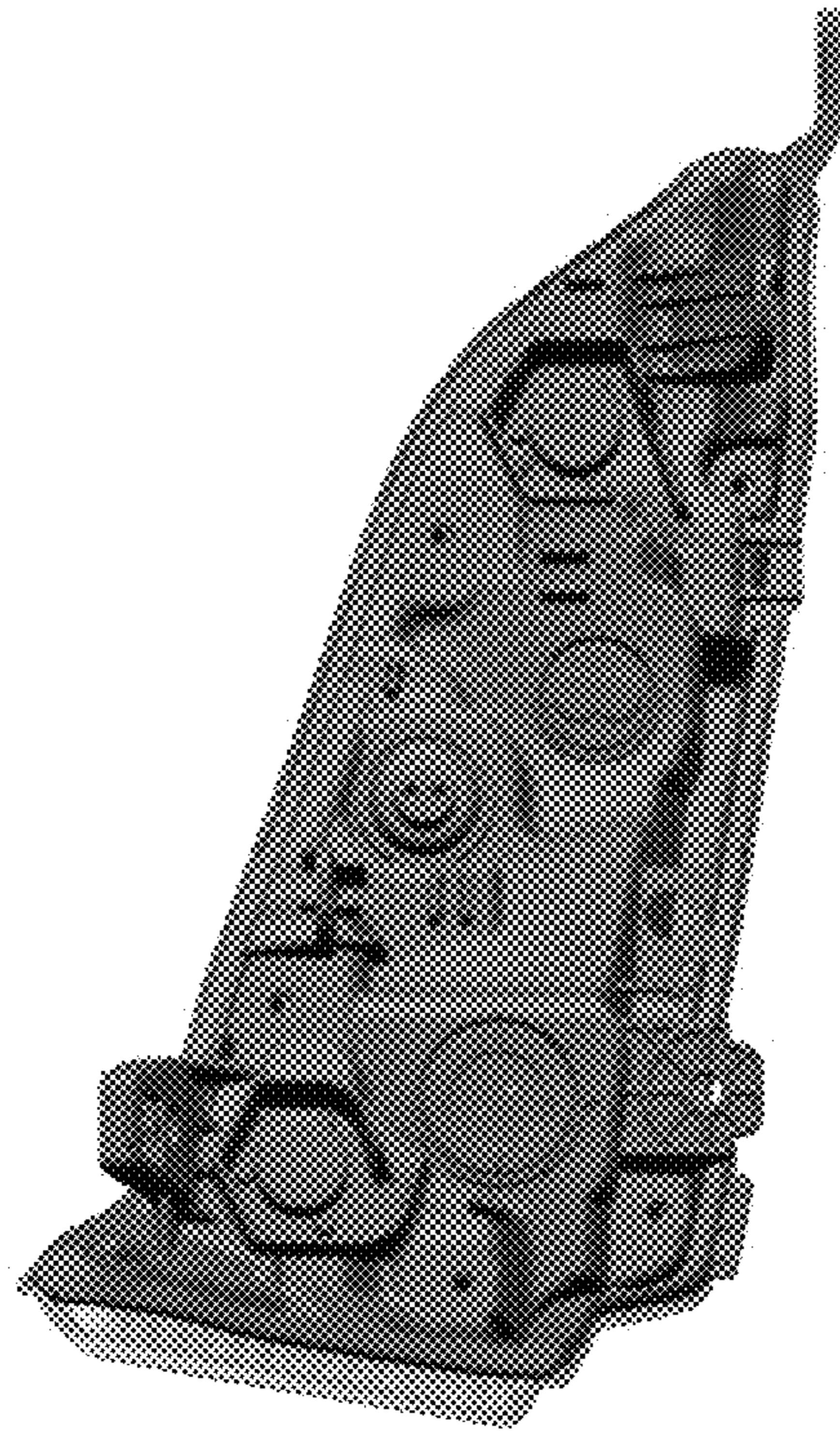


FIG. 5

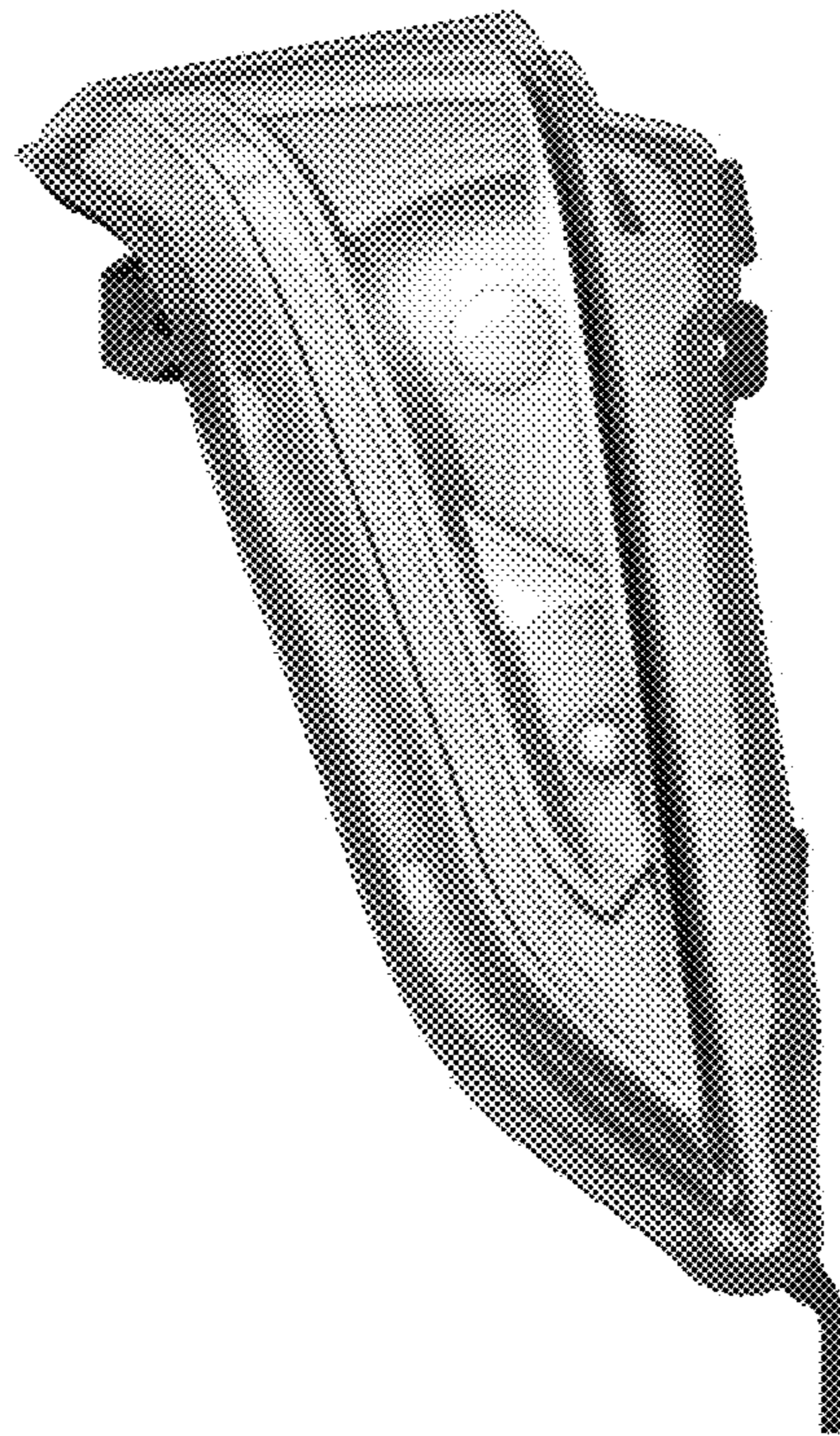


FIG. 6

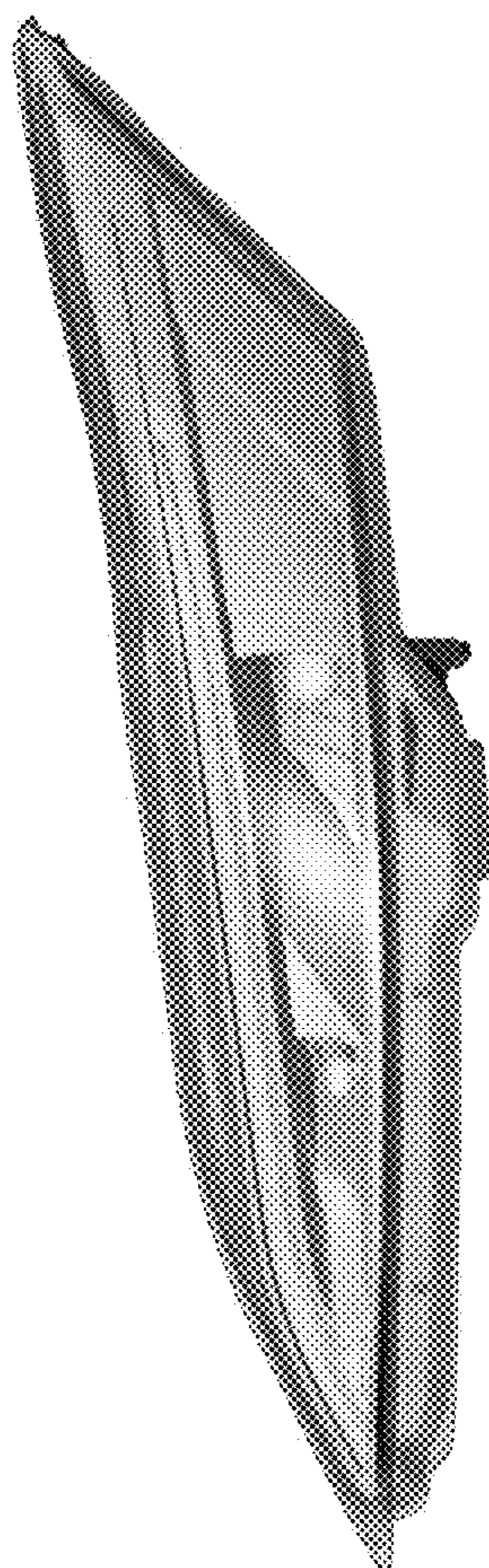


FIG. 7