



US00D805662S

(12) **United States Design Patent** (10) **Patent No.:** **US D805,662 S**
Koizumi et al. (45) **Date of Patent:** **** Dec. 19, 2017**

(54) **HEADLAMP FOR AN AUTOMOBILE**

(71) Applicant: **Nissan Motor Co., Ltd.**, Yokohama, Kanagawa (JP)

(72) Inventors: **Kenichiro Koizumi**, San Diego, CA (US); **Tadashi Katou**, Kanagawa (JP)

(73) Assignee: **Nissan Motor Co., Ltd.**, Yokohama (JP)

(**) Term: **15 Years**

(21) Appl. No.: **29/573,290**

(22) Filed: **Aug. 4, 2016**

(30) **Foreign Application Priority Data**

Feb. 5, 2016 (JP) 2016-002485

(51) **LOC (10) Cl.** **26-06**

(52) **U.S. Cl.**
USPC **D26/28**

(58) **Field of Classification Search**
USPC D26/28-36; 362/80-83, 267-269, 362/459-468, 475-478, 485-487

(Continued)

(56) **References Cited**

U.S. PATENT DOCUMENTS

D528,681 S * 9/2006 Nakahara D26/28
D528,685 S * 9/2006 Yoshida D26/28

(Continued)

FOREIGN PATENT DOCUMENTS

JP D1360183 S 5/2009
JP D1455119 S 11/2012

(Continued)

Primary Examiner — Marcus Jackson

(74) *Attorney, Agent, or Firm* — Global IP Counselors, LLP

(57) **CLAIM**

The ornamental design for a headlamp for an automobile, as shown and described.

DESCRIPTION

FIG. 1 is an outside elevational view of a headlamp for an automobile in accordance with a first embodiment of our new design;

FIG. 2 is an inside elevational view of the headlamp in accordance with the first embodiment of our new design of FIG. 1;

FIG. 3 is a top plan view of the headlamp in accordance with the first embodiment of our new design of FIGS. 1 and 2; FIG. 4 is a bottom plan view of the headlamp in accordance with the first embodiment of our new design of FIGS. 1 to 3;

FIG. 5 is a front side elevational view of the headlamp in accordance with the first embodiment of our new design of FIGS. 1 to 4;

FIG. 6 is a rear side elevational view of the headlamp in accordance with the first embodiment of our new design of FIGS. 1 to 5; and,

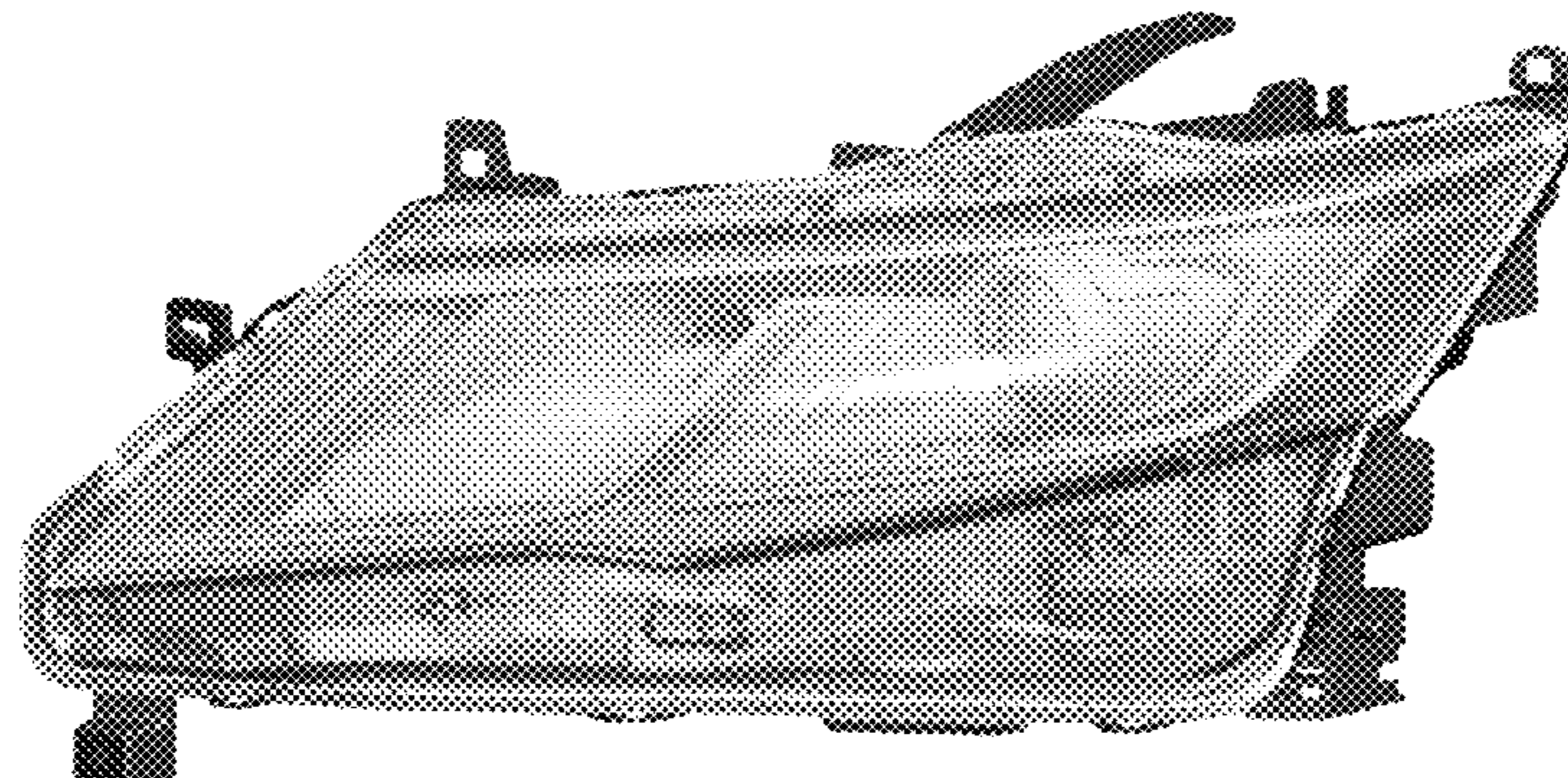
FIG. 7 is a front side perspective view of the headlamp in accordance with the first embodiment of our new design of FIGS. 1 to 6.

The inside elevational view of FIG. 2 and the rear side elevational view of FIG. 6 form no part of the claimed design. In addition, the headlamp is configured to be mounted to an automobile. The mounting structure and support structure of the headlamp, visible in FIGS. 1 to 7, form no part of the claimed design since the mounting structure and support structure are hidden when the headlamp is mounted to the automobile.

In addition, the appearance of the rear side structures and inside side structures of the headlamp as seen in FIGS. 1-4 and 6 is for purpose of illustrating the boundaries of the exterior surface of the outside of the headlamp, and forms no part of the claimed design.

A second embodiment of our new design is identical to the first embodiment except that the second embodiment of our new design includes the mirror image of the headlamp shown in FIGS. 1 to 7.

1 Claim, 7 Drawing Sheets



(58) **Field of Classification Search**

CPC F21S 48/00; F21S 48/10; F21S 48/115;
 F21S 48/1233; F21S 48/1266; F21S
 48/1388; F21S 48/2268; F21V 21/04

See application file for complete search history.

D783,189 S 4/2017 Nishii
 D785,833 S 5/2017 Lee et al.
 D785,837 S 5/2017 Lee et al.

FOREIGN PATENT DOCUMENTS

(56) **References Cited**

U.S. PATENT DOCUMENTS

D544,114 S * 6/2007 Ohta D26/28
 D544,614 S * 6/2007 Markefka D26/28
 D549,857 S * 8/2007 Lin D26/28
 D561,358 S * 2/2008 Tachibana D26/28
 D675,355 S 1/2013 Sakai et al.
 D685,937 S 7/2013 Suzuki
 D697,243 S 1/2014 Kitazumi
 D706,471 S 6/2014 Lai
 D707,866 S * 6/2014 Yoshida D26/28
 D719,692 S 12/2014 Yamaguchi
 D726,353 S 4/2015 Yagihashi
 D740,981 S 10/2015 Hanaoka
 D745,715 S 12/2015 Murase
 D748,301 S 1/2016 Sperling et al.
 D758,626 S 6/2016 Sperling et al.
 D761,981 S 7/2016 Tsutamori
 D769,482 S 10/2016 Morikawa
 D781,472 S 3/2017 Hirai
 D782,088 S 3/2017 Honda

JP D1455398 S 11/2012
 JP D1455890 S 11/2012
 JP D1465870 S 4/2013
 JP D1483832 S 11/2013
 JP D1484948 S 11/2013
 JP D1486678 S 12/2013
 JP D1508112 S 9/2014
 JP D1508645 S 10/2014
 JP D1511245 S 11/2014
 JP D1511272 S 11/2014
 JP D1511433 S 11/2014
 JP D1501252 S 6/2015
 JP D1552160 S 6/2016
 JP D1555750 S 8/2016
 JP D1555919 S 8/2016
 JP D1546051 S 3/2017
 JP D1571213 S 3/2017
 JP D1572297 S 3/2017
 JP D1572303 S 3/2017
 JP D1572310 S 3/2017
 JP D1572785 S 3/2017
 JP D1572888 S 4/2017
 JP D1576932 S 5/2017
 JP D1576934 S 5/2017

* cited by examiner

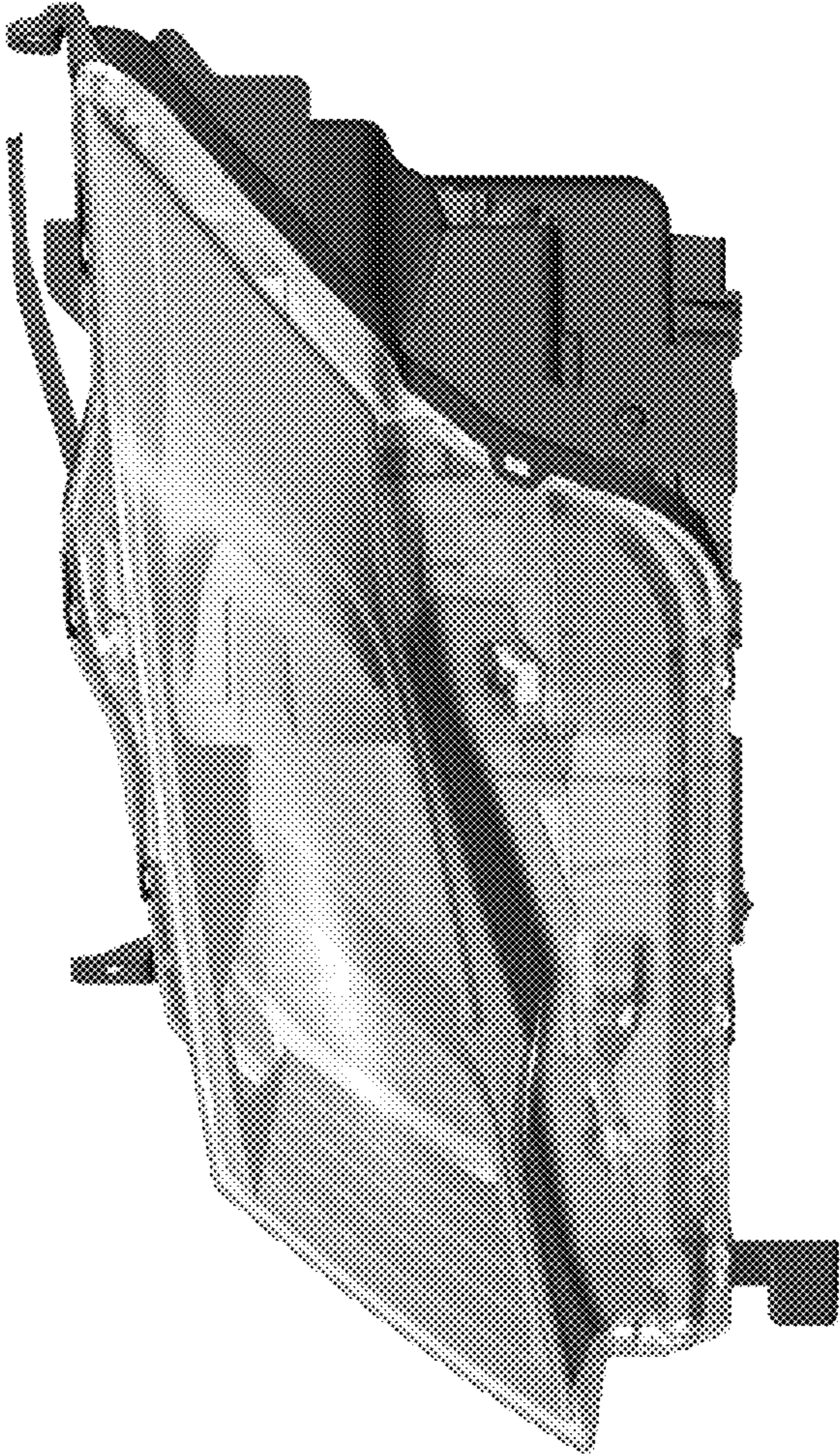


FIG. 1

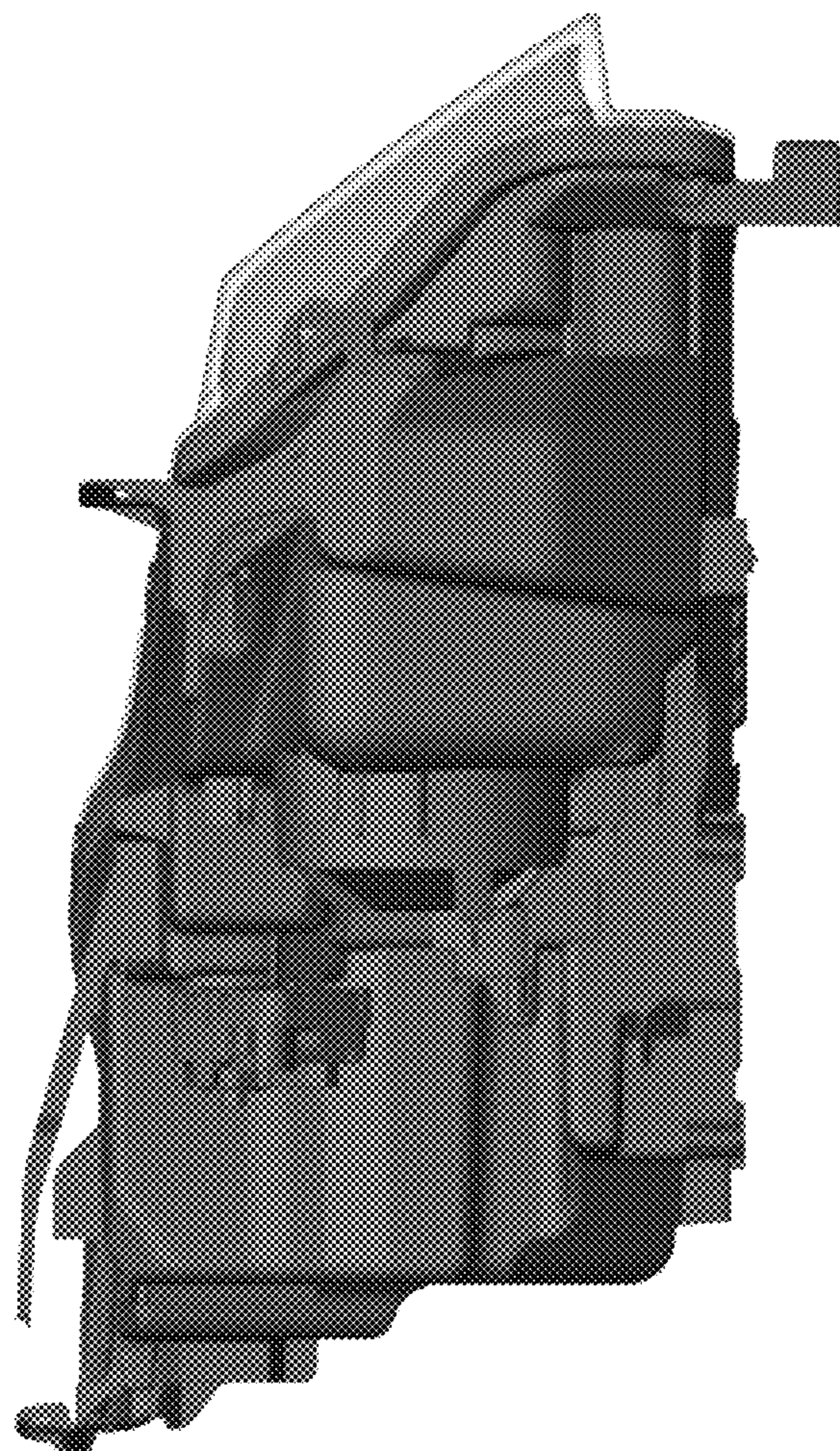


FIG. 2

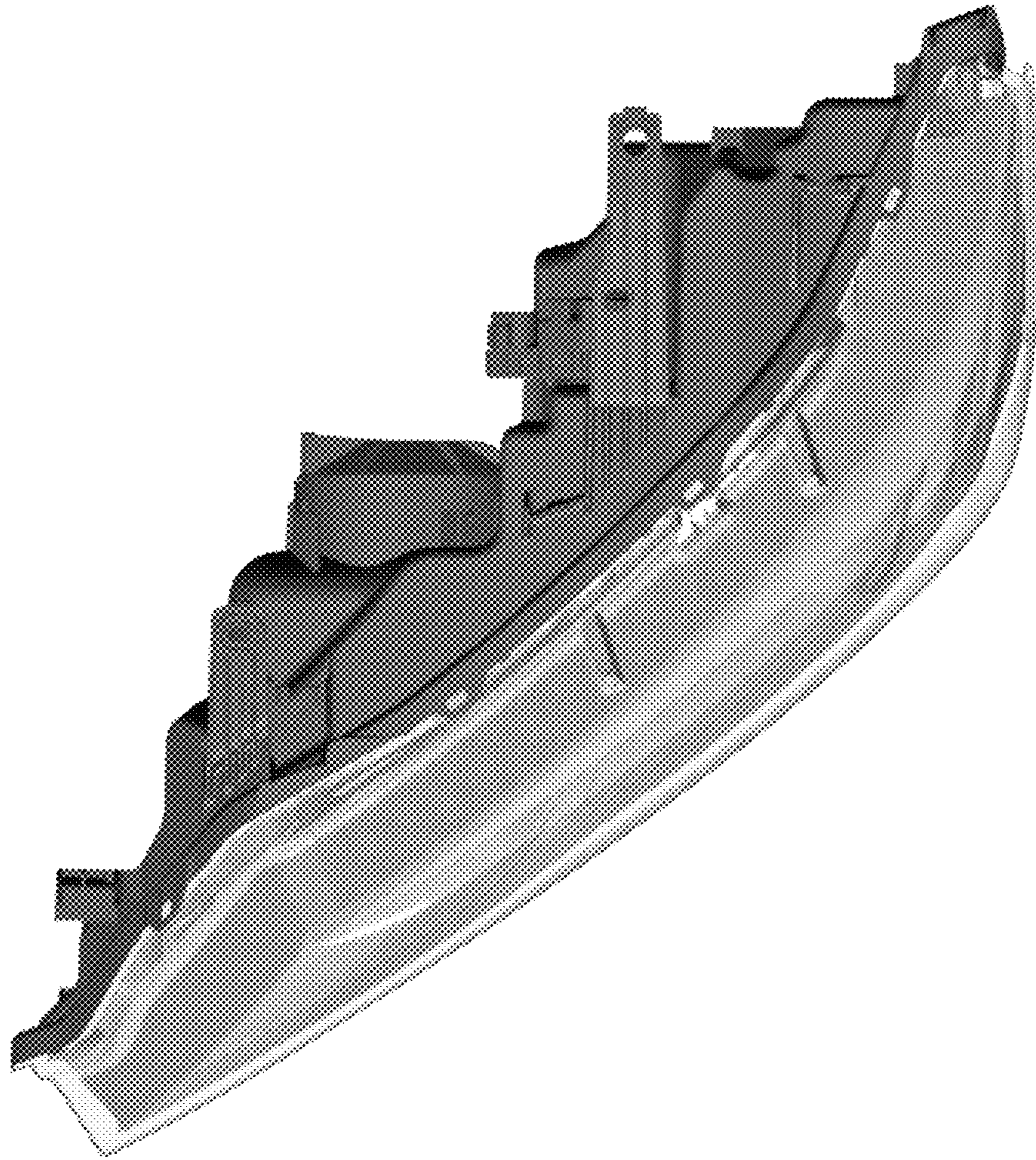


FIG. 3

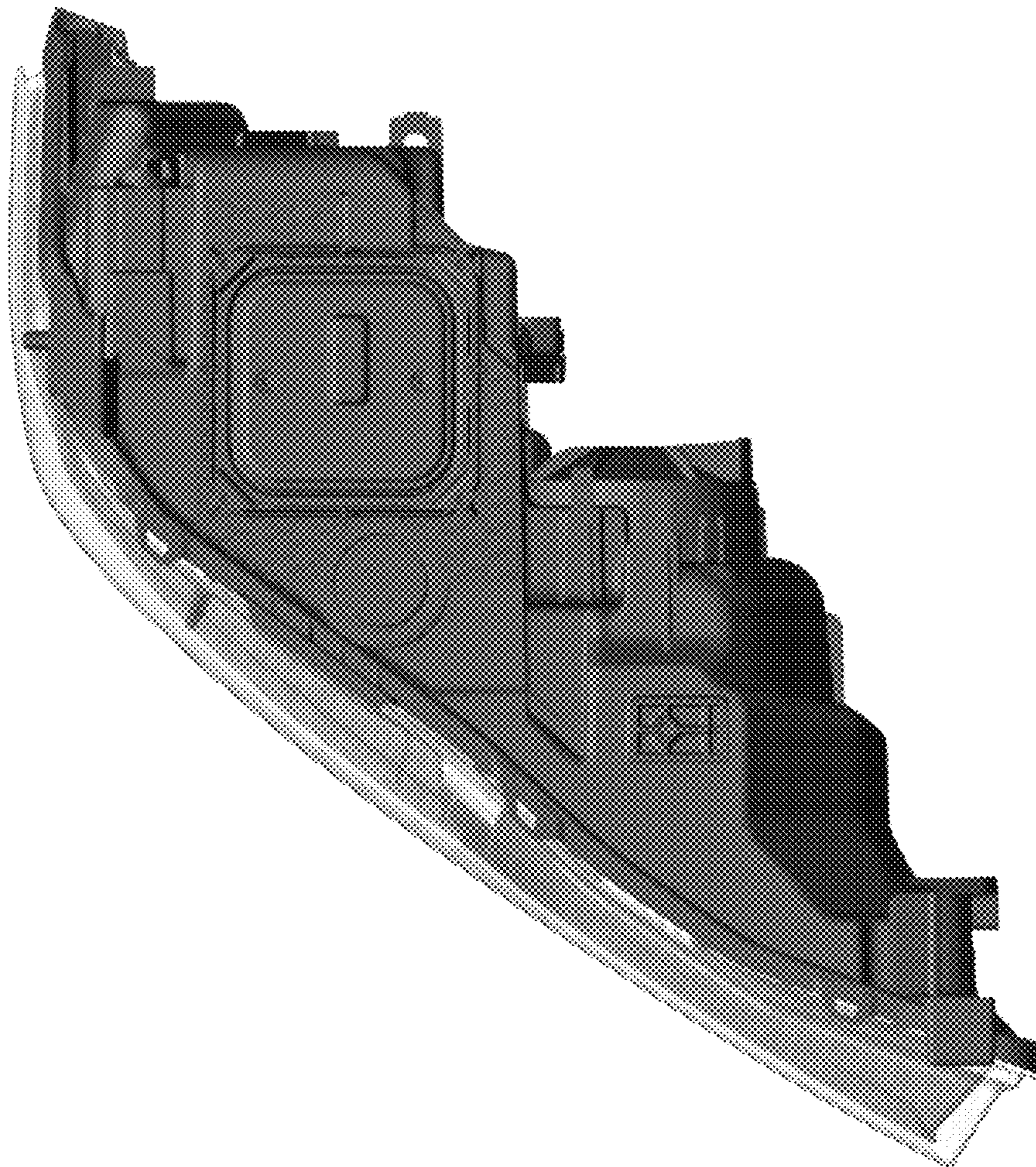


FIG. 4

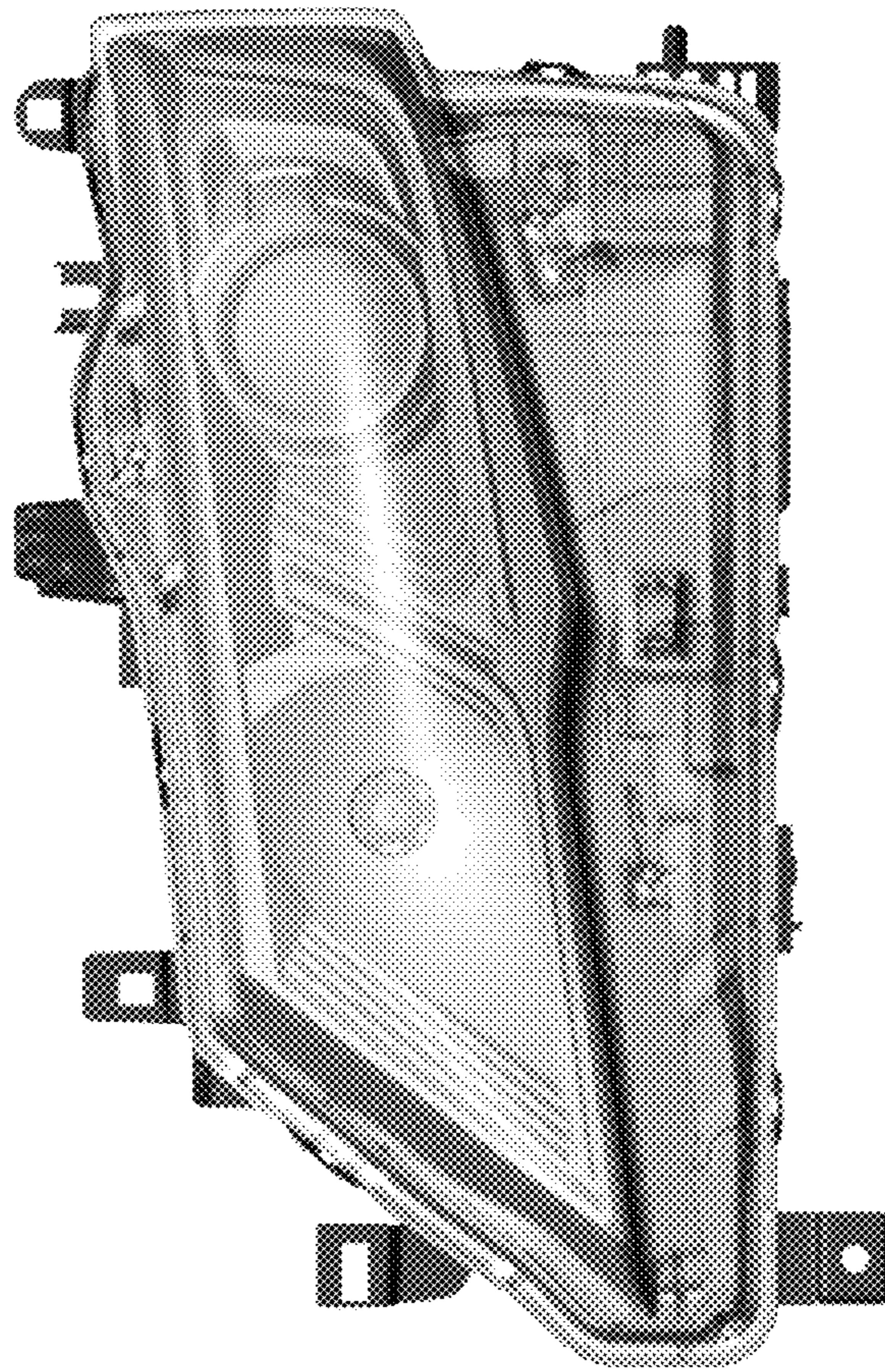


FIG. 5

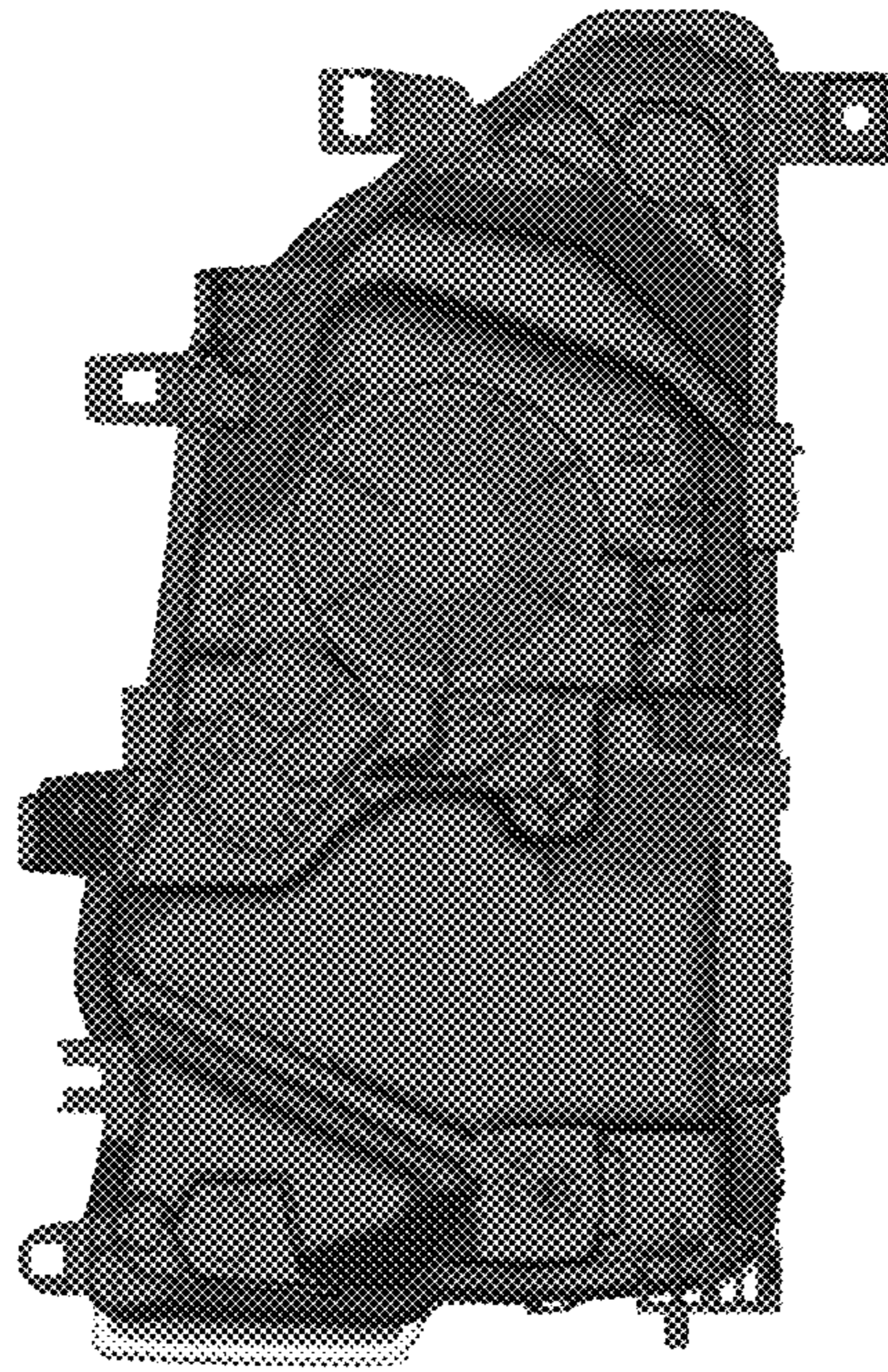


FIG. 6



FIG. 7