



US00D805661S

(12) **United States Design Patent** (10) **Patent No.:** **US D805,661 S**
Hogben et al. (45) **Date of Patent:** **** Dec. 19, 2017**

(54) **LIGHT AND SOUND EMITTING BULB**

D553,266 S * 10/2007 Maxik D26/2
D566,300 S * 4/2008 Lo D26/2
D584,838 S * 1/2009 To D26/2
D596,764 S * 7/2009 Yang D26/2
D620,154 S * 7/2010 Wang D26/2

(71) Applicant: **EXPRESS CHECKOUT LLC**, New York, NY (US)

(72) Inventors: **William Carol O’Neal Hogben**, New York, NY (US); **Decker Goodman**, Brooklyn, NY (US)

* cited by examiner

Primary Examiner — Marcus Jackson

(73) Assignee: **EXPRESS CHECKOUT LLC**, New York, NY (US)

(74) *Attorney, Agent, or Firm* — Staas & Halsey LLP

(**) Term: **15 Years**

(57) **CLAIM**

(21) Appl. No.: **29/581,435**

The ornamental design for a light and sound emitting bulb, as shown and described.

(22) Filed: **Oct. 19, 2016**

(51) **LOC (10) Cl.** **26-04**

(52) **U.S. Cl.**
USPC **D26/2**

DESCRIPTION

(58) **Field of Classification Search**
USPC D26/1–4; 313/313, 315, 316, 317, 318, 313/493; 315/52, 53, 56, 57, 58
CPC H01R 5/00; H01R 13/46; H01R 13/514; H01R 31/048; H01R 31/02; H01J 5/00; H01J 5/16; H01J 15/00; H01J 5/48; H01J 5/50; H01J 19/54; F21V 5/00
See application file for complete search history.

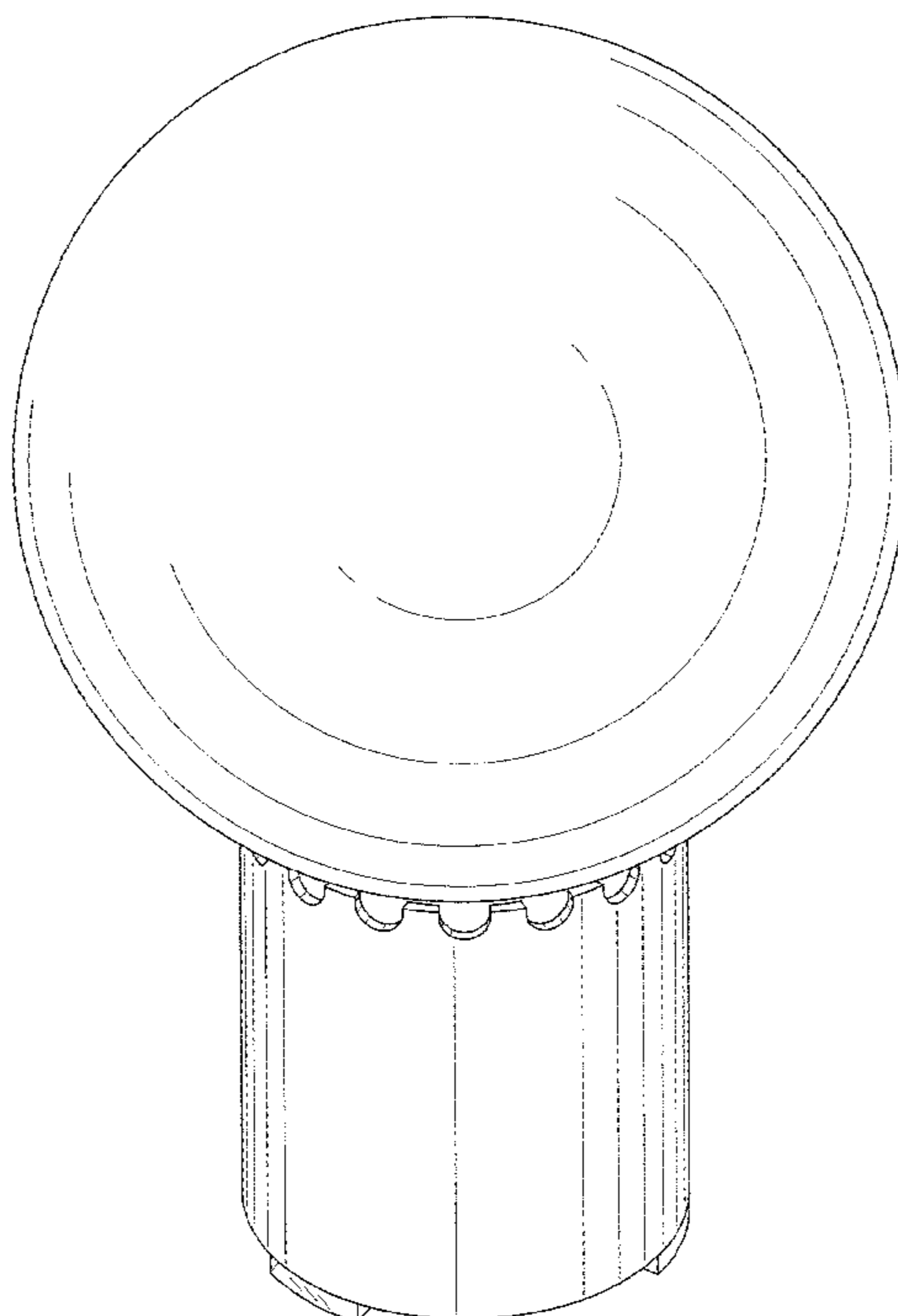
FIG. 1 is a top perspective view of the light and sound emitting bulb showing our design;
FIG. 2 is a bottom perspective view thereof;
FIG. 3 is a front view thereof;
FIG. 4 is a rear view thereof;
FIG. 5 is a left view thereof;
FIG. 6 is a right view thereof;
FIG. 7 is a top view thereof; and,
FIG. 8 is a bottom view thereof.
The broken lines are for the purpose of illustrating and forms no part of the claimed design.

(56) **References Cited**

U.S. PATENT DOCUMENTS

D532,532 S * 11/2006 Maxik D26/2
D553,265 S * 10/2007 Maxik D26/2

1 Claim, 8 Drawing Sheets



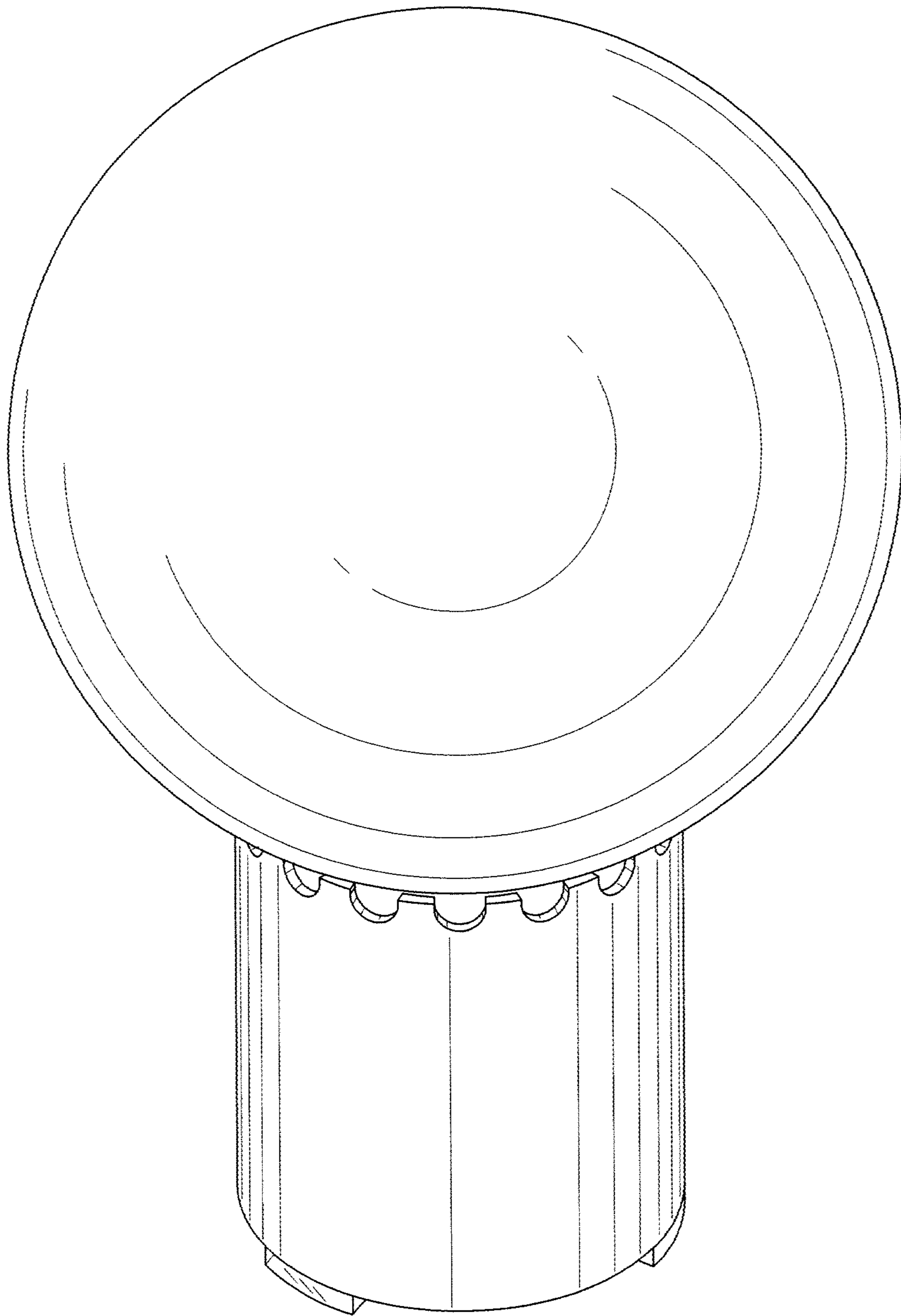


FIG. 1

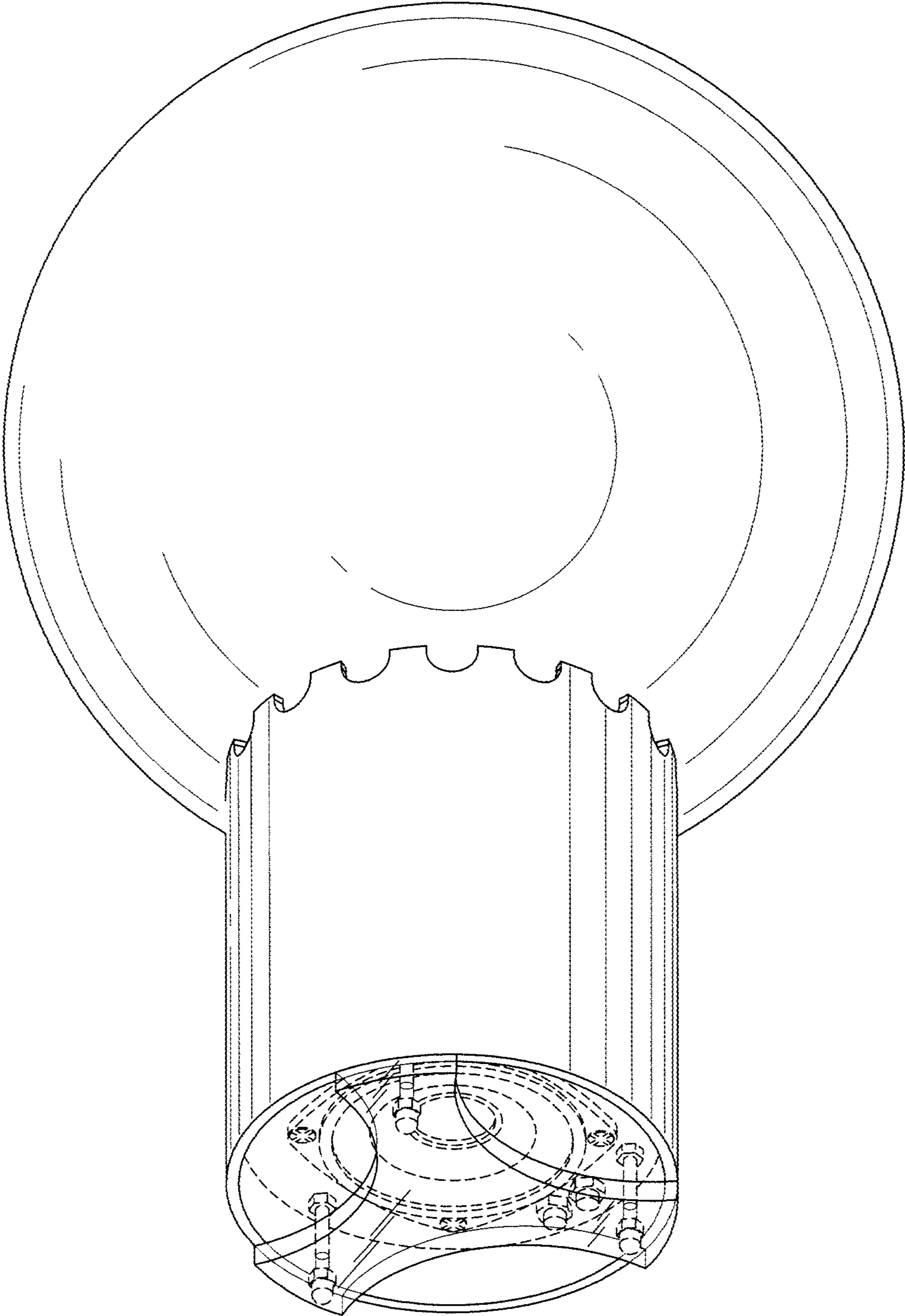


FIG. 2

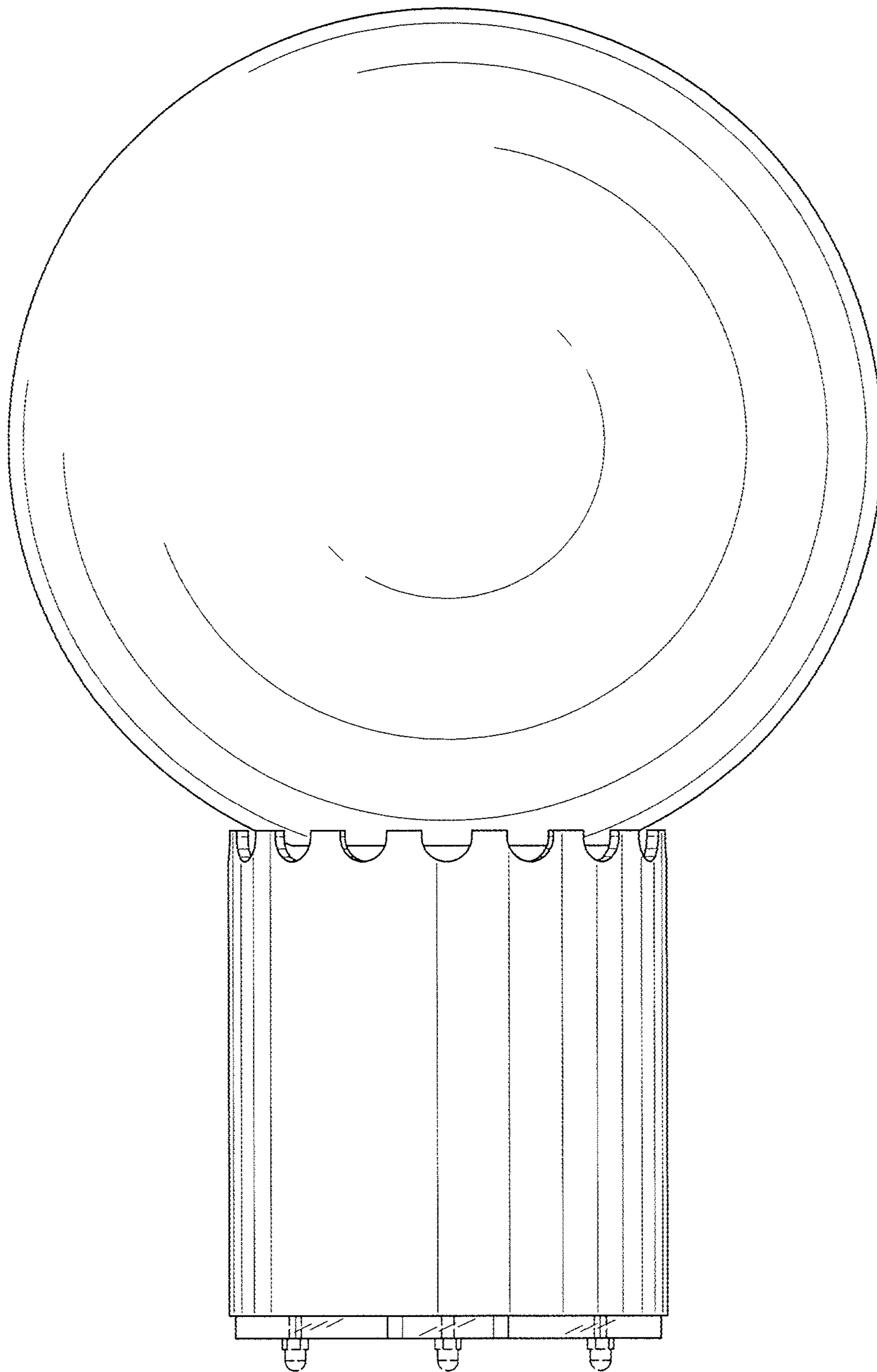


FIG. 3

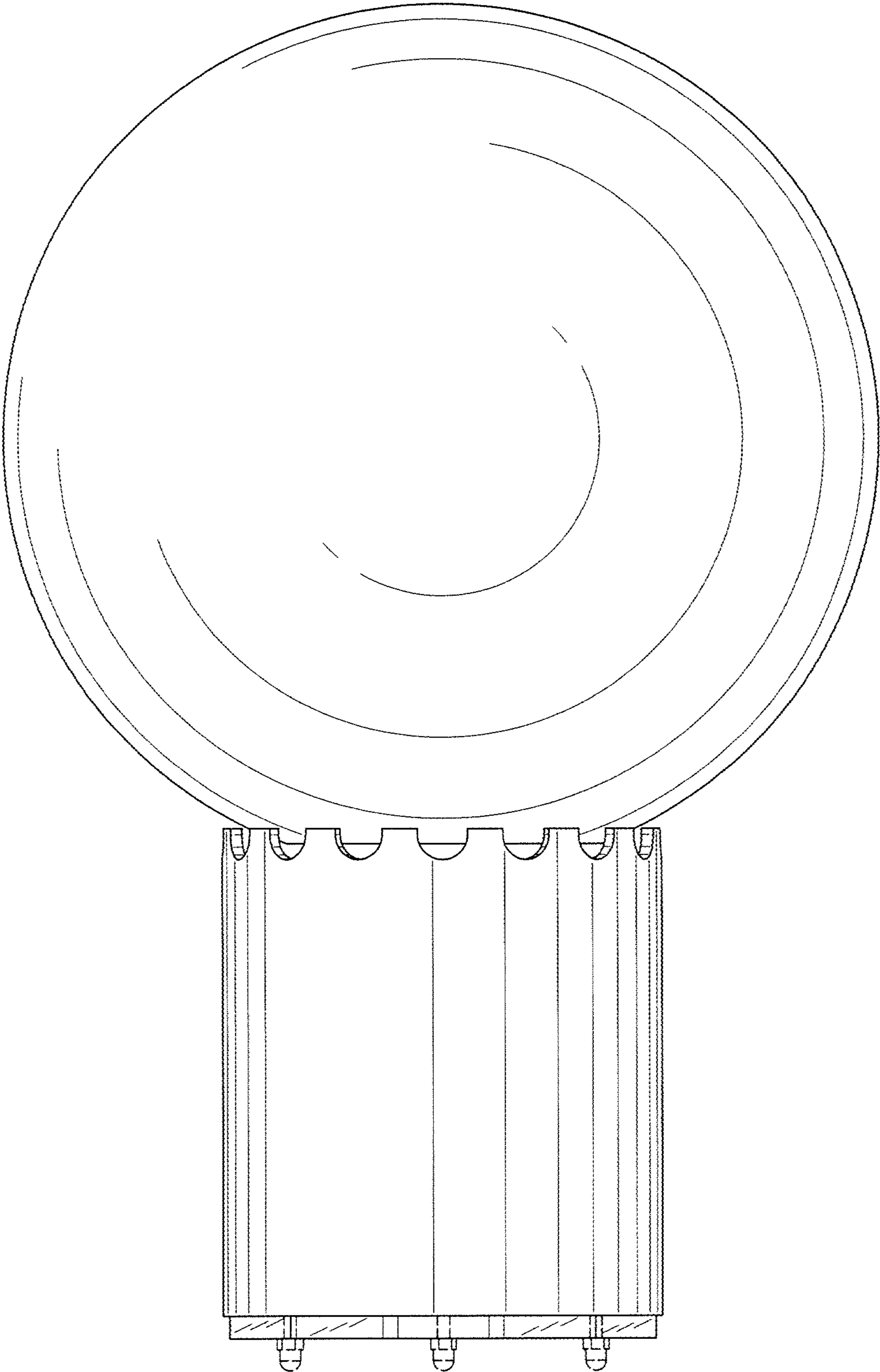


FIG.4

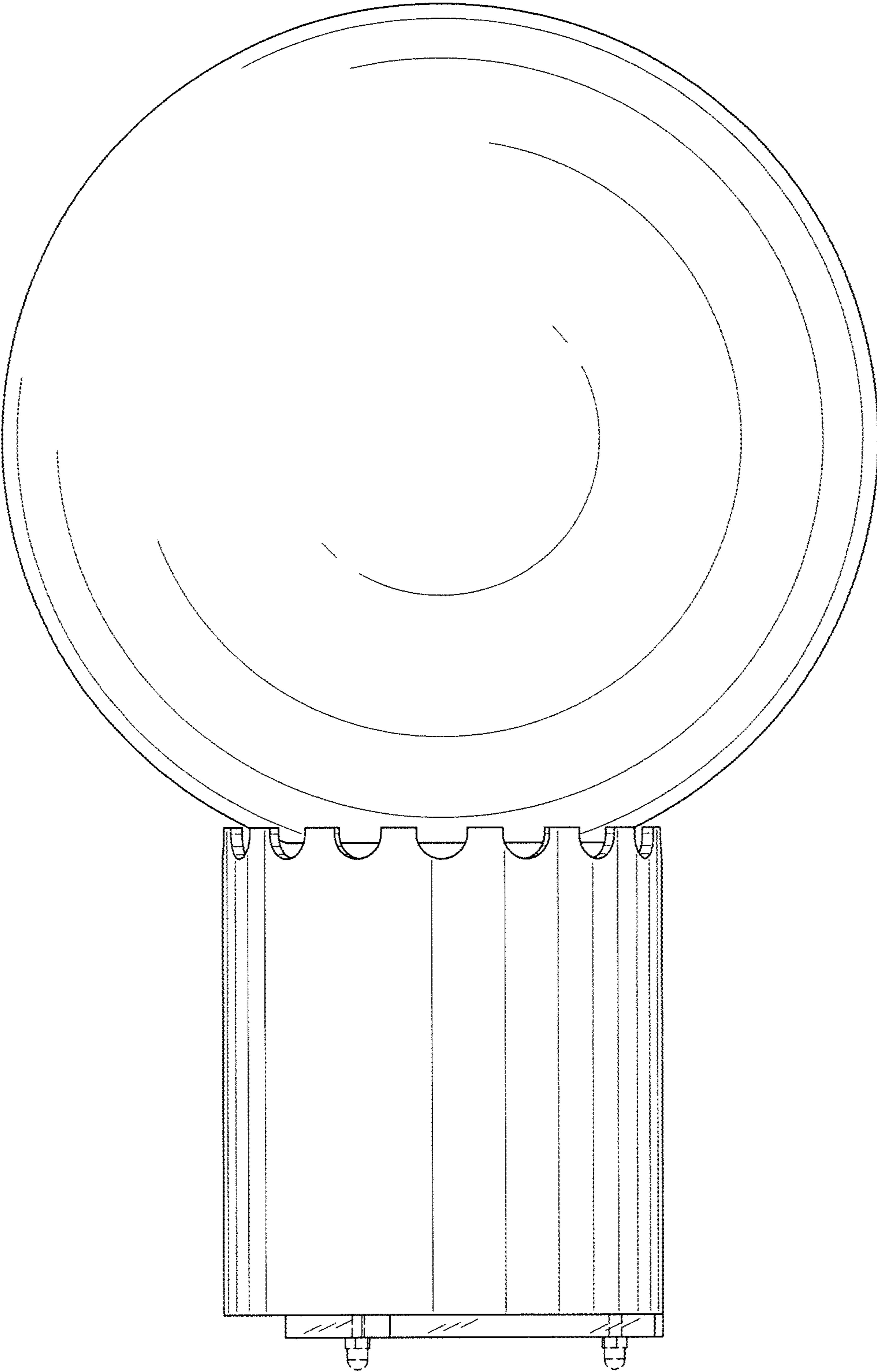


FIG. 5

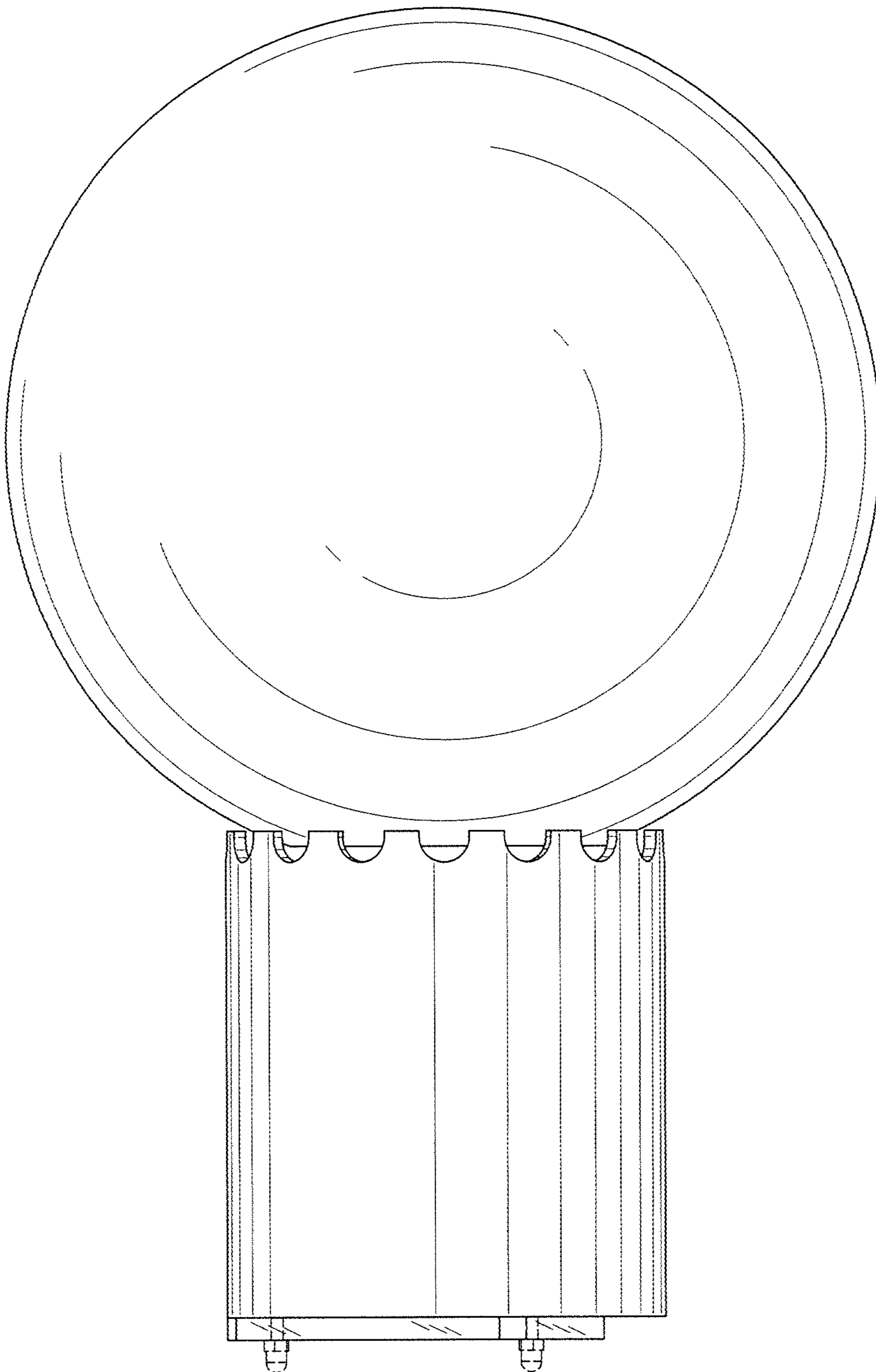


FIG. 6

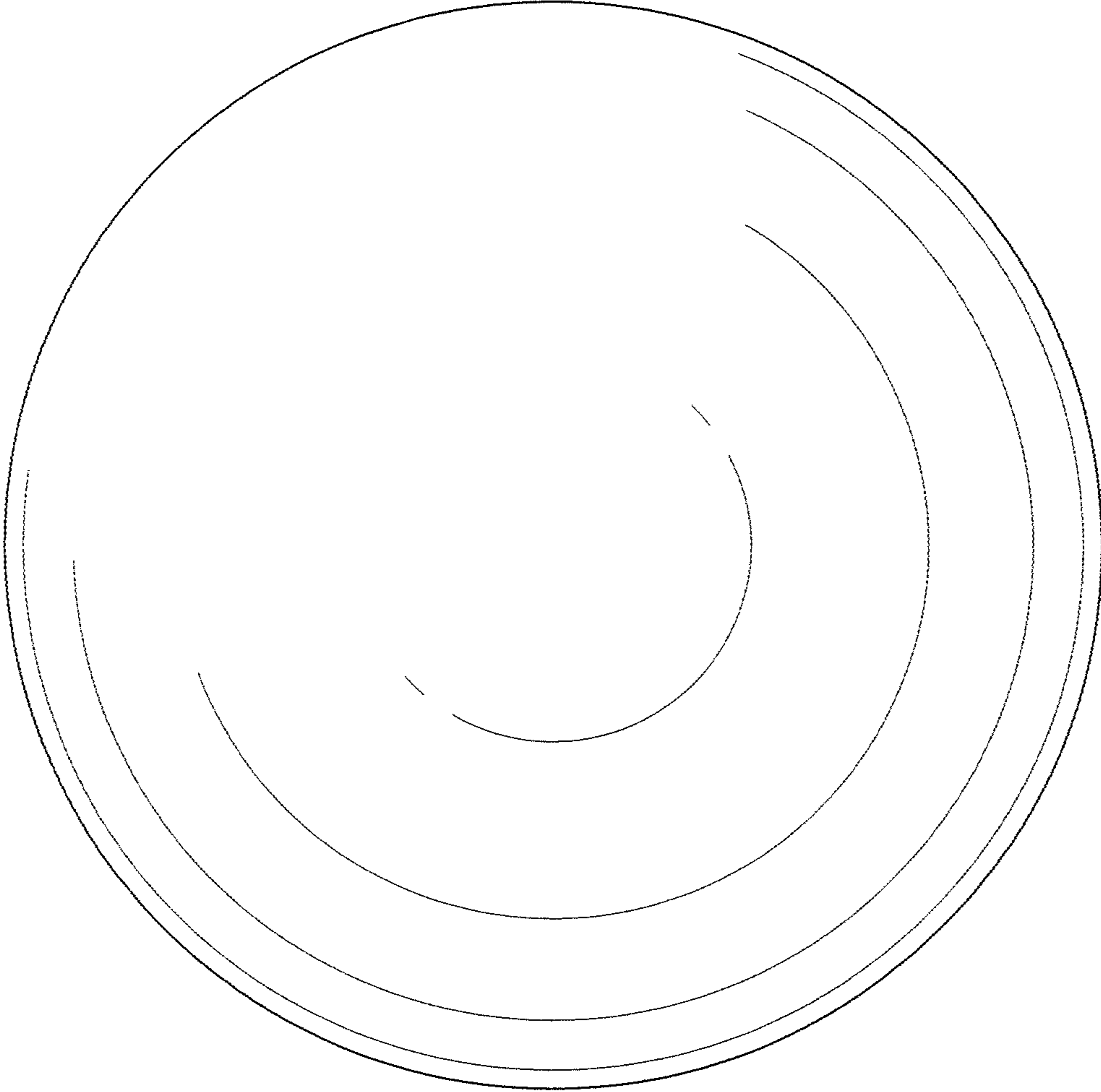


FIG. 7

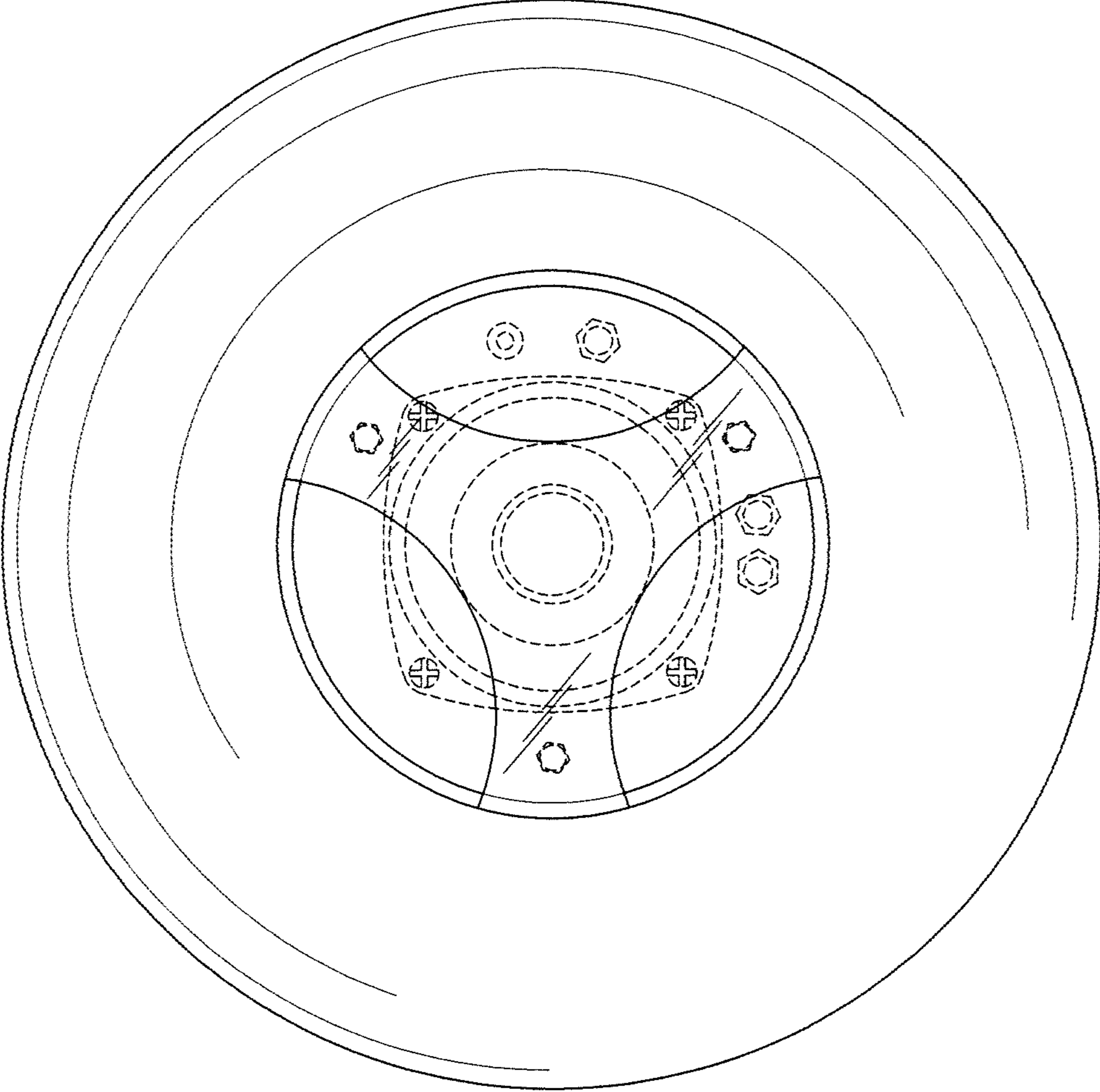


FIG.8