



US00D805653S

(12) **United States Design Patent** (10) **Patent No.:** **US D805,653 S**
Bizzarri et al. (45) **Date of Patent:** **** Dec. 19, 2017**

(54) **RAILING TOP RAIL**
(71) Applicant: **CPG International LLC**, Skokie, IL (US)
(72) Inventors: **Paul Bizzarri**, Mason, OH (US); **Jason A. Davoll**, Chicago, IL (US); **Michael A. Gori**, Norton, OH (US); **Richard Arthur Pearson, II**, Campbell, MO (US); **Ronald Keith Turner**, Elmer, LA (US)
(73) Assignee: **CPG International LLC**, Skokie, IL (US)

D536,098 S * 1/2007 Walker D25/38.1
D551,775 S * 9/2007 McGinness D25/135
D562,992 S * 2/2008 Szczekocki D25/121
7,472,482 B2 1/2009 Pratt
D609,820 S * 2/2010 Clarke D25/38.1
7,731,160 B2 6/2010 Terrels et al.
7,744,065 B2 6/2010 Terrels et al.
D620,127 S * 7/2010 Mawby D25/38.1
D661,813 S * 6/2012 Walker D25/38.1
8,282,083 B1 10/2012 Poma
8,579,263 B2 11/2013 Petta
D755,988 S * 5/2016 Walker D25/119
D765,009 S * 8/2016 Conrad D12/317
D771,276 S * 11/2016 Walker D25/119
D782,697 S * 3/2017 Bizzarri D25/121

(Continued)

(**) Term: **15 Years**

OTHER PUBLICATIONS

(21) Appl. No.: **29/554,577**
(22) Filed: **Feb. 12, 2016**
(51) **LOC (10) Cl.** **25-02**
(52) **U.S. Cl.**
USPC **D25/38.1**
(58) **Field of Classification Search**
USPC D25/38.1, 41.1, 43, 44, 119, 120, 121,
D25/122, 123, 124, 125, 126, 136, 164;
256/21, 59, 66, DIG. 6; 403/311
CPC F16B 7/0413; E04F 11/18; E04F 11/1851;
E06B 3/62; E06B 3/5409
See application file for complete search history.

<https://timbertech.com/products/railing/impression-rail> Available Jun. 17, 2016.*

Primary Examiner — Susan Bennett Hattan
Assistant Examiner — Leanne Was-Englehart
(74) *Attorney, Agent, or Firm* — Buchanan Ingersoll & Rooney PC

(57) **CLAIM**

The ornamental design for a railing top rail, as shown and described.

DESCRIPTION

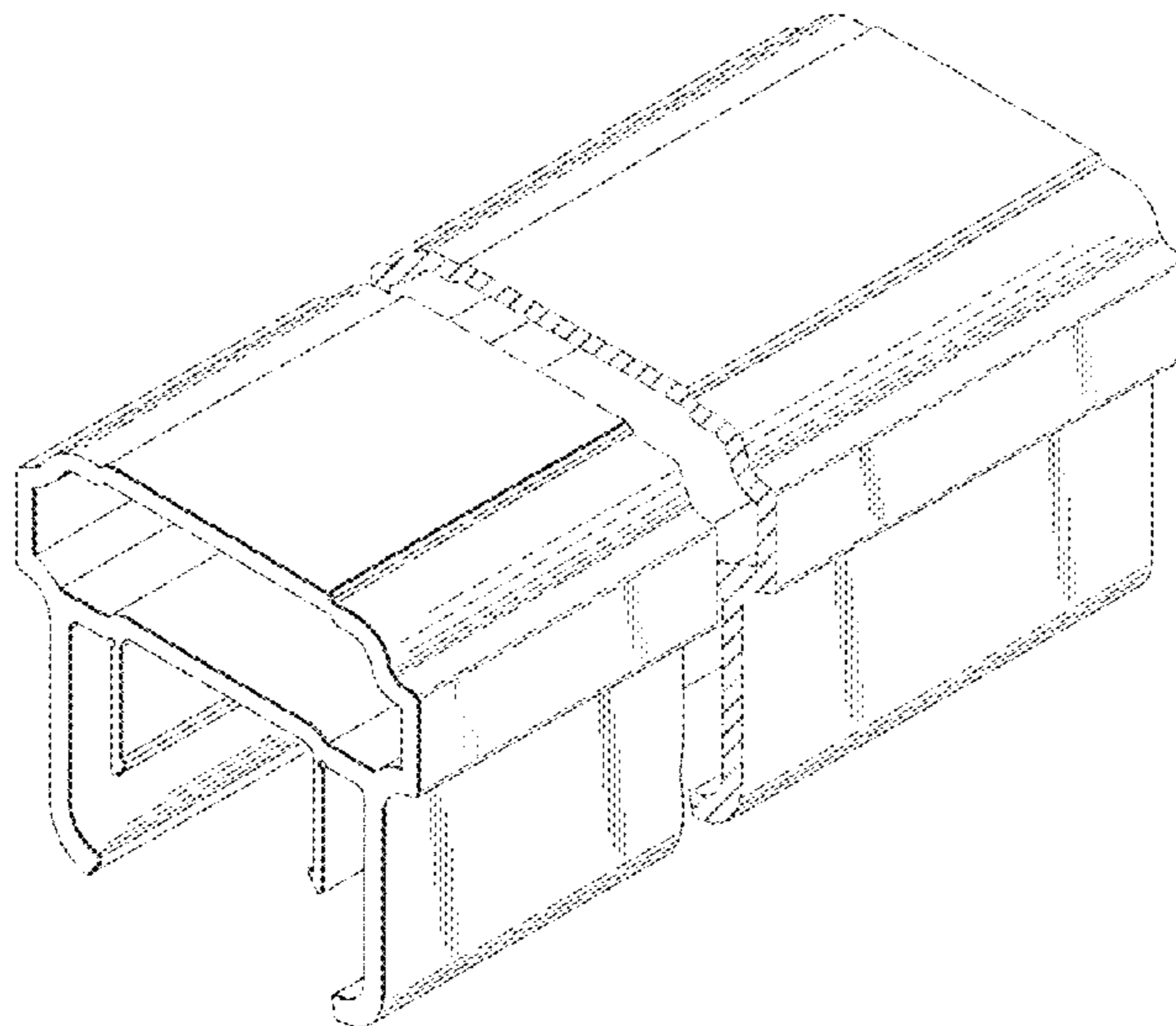
FIG. 1 is a perspective view of our railing top rail;
FIG. 2 is an end view thereof,
FIG. 3 is a left side view thereof, the right side being a mirror image thereof;
FIG. 4 is a top view thereof; and,
FIG. 5 is a bottom view thereof.
The break lines depict bounds of the claim. The portion between the break lines forms no part of the claimed design.

(56) **References Cited**

U.S. PATENT DOCUMENTS

3,313,527 A * 4/1967 Eriksson E04F 11/181
256/21
3,689,032 A * 9/1972 Von Wedel E04F 11/181
256/22
3,955,799 A * 5/1976 Lauzier E04F 11/181
256/21
D410,753 S * 6/1999 Davis D25/38.1
D415,287 S * 10/1999 Davis D25/38.1

1 Claim, 2 Drawing Sheets



(56)

References Cited

U.S. PATENT DOCUMENTS

D782,698 S * 3/2017 Bizzarri D25/121
2003/0196395 A1 * 10/2003 Forbis E04F 11/1842
52/300

* cited by examiner

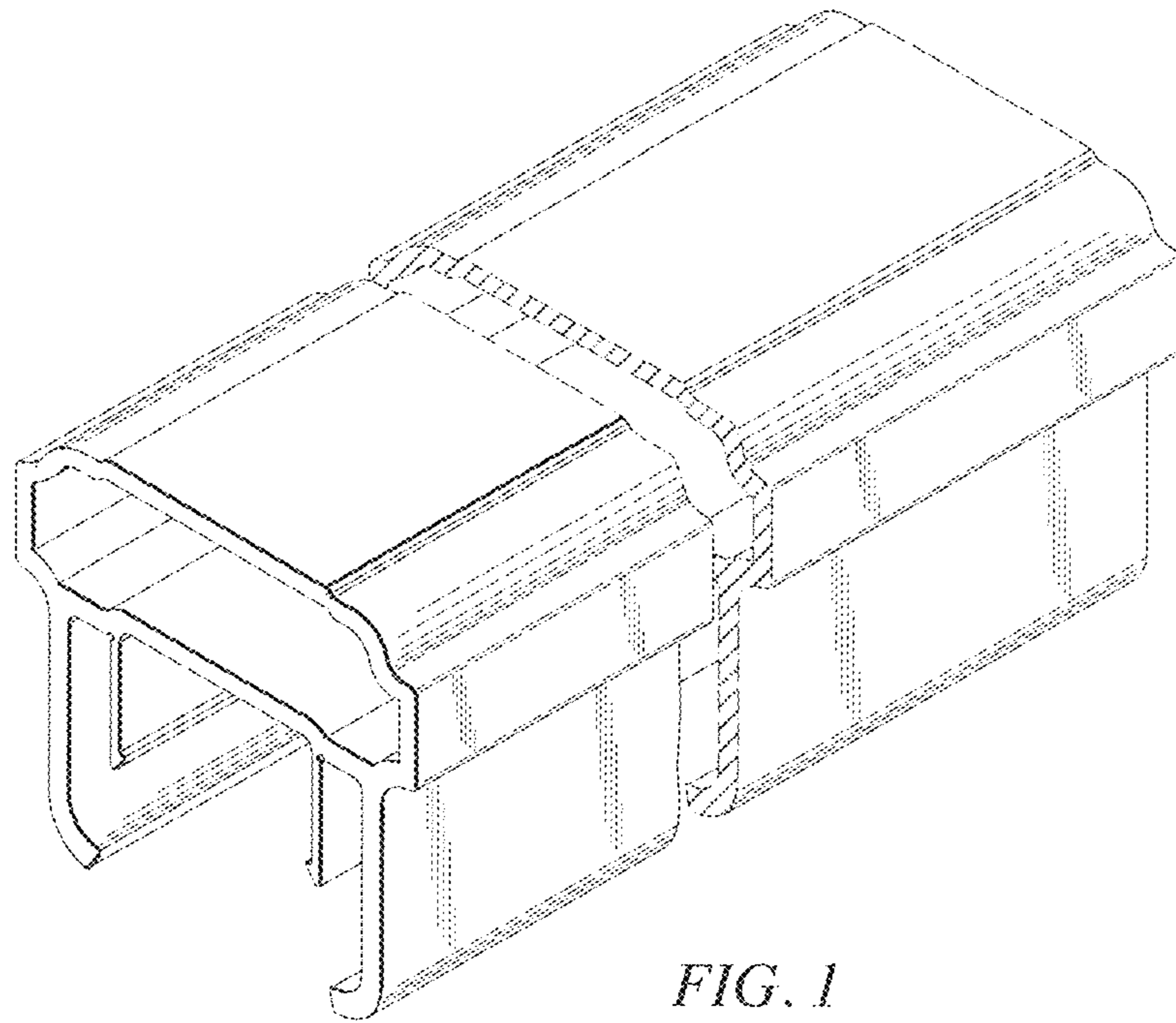


FIG. 1

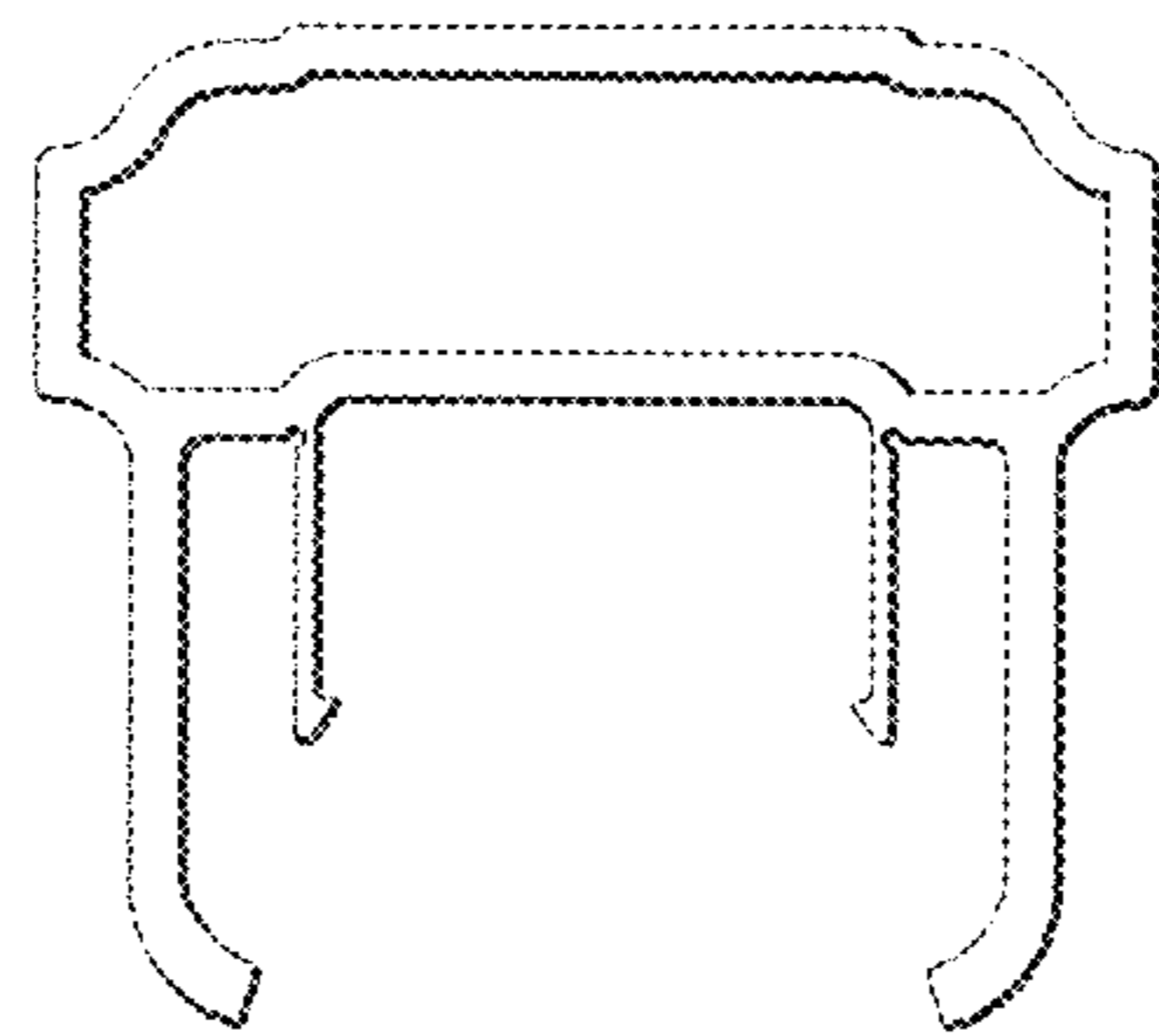


FIG. 2

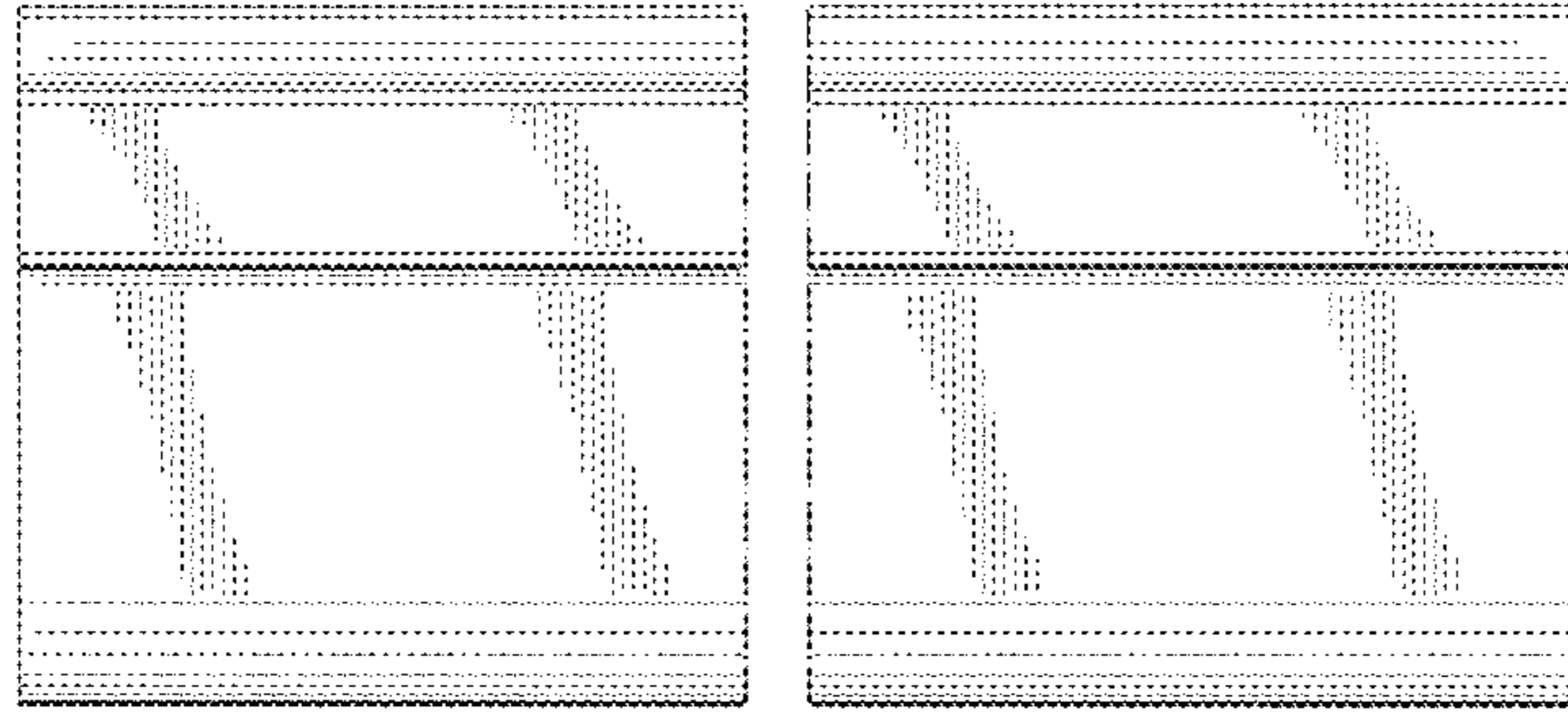


FIG. 3

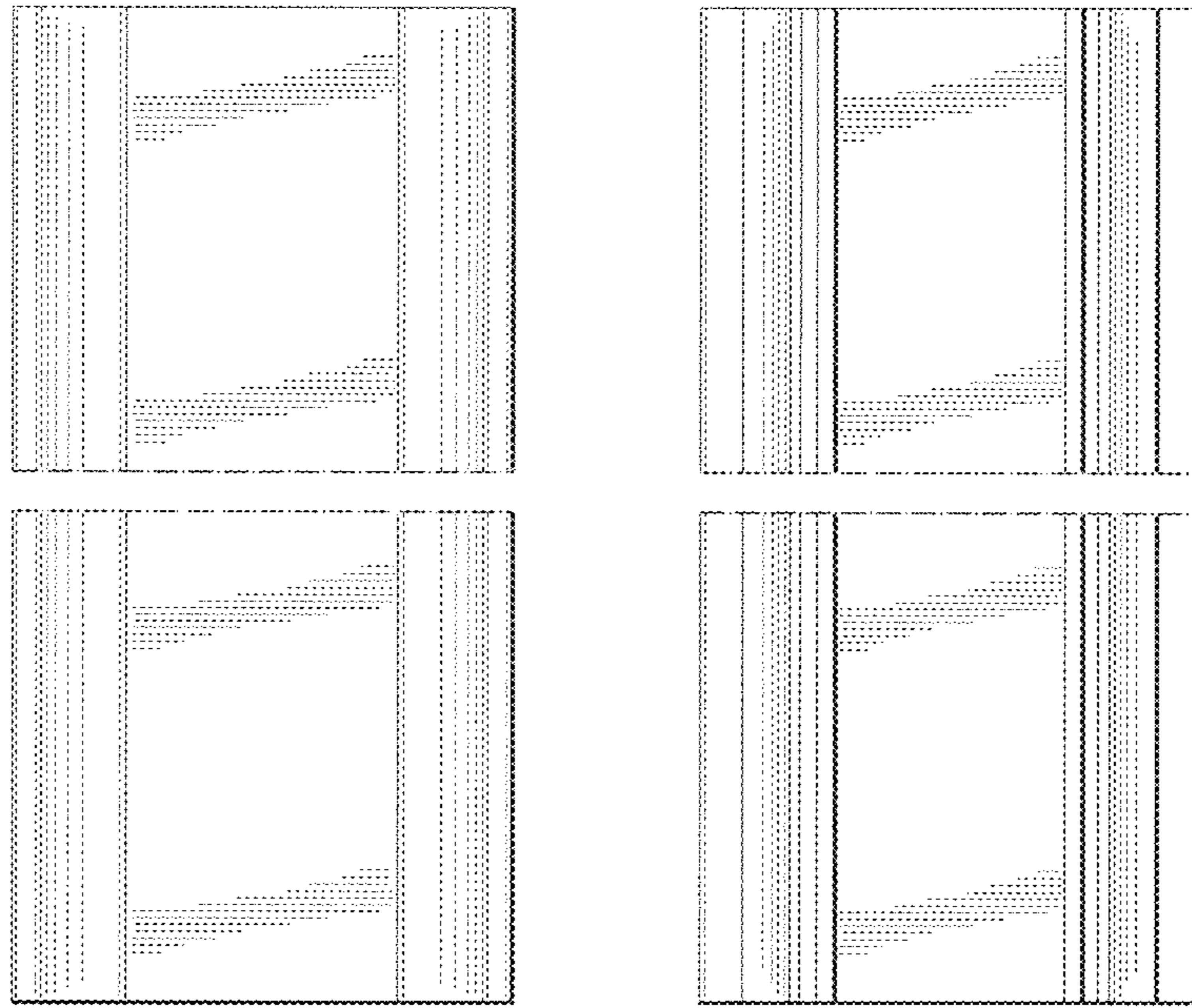


FIG. 4

FIG. 5