



US00D805651S

(12) **United States Design Patent** (10) **Patent No.:** **US D805,651 S**
Horstmann (45) **Date of Patent:** **** *Dec. 19, 2017**

(54) **FLANGE FOR A PIPETTE ADAPTER**

(71) Applicant: **Eppendorf AG**, Hamburg (DE)

(72) Inventor: **Frank Horstmann**, Lensahn (DE)

(73) Assignee: **Eppendorf AG**, Hamburg (DE)

(*) Notice: This patent is subject to a terminal disclaimer.

(**) Term: **14 Years**

(21) Appl. No.: **29/486,453**

(22) Filed: **Mar. 28, 2014**

(30) **Foreign Application Priority Data**

Dec. 12, 2013 (EM) 002368209-0001

Dec. 12, 2013 (EM) 002368217-0001

(51) **LOC (10) Cl.** **24-02**

(52) **U.S. Cl.**

USPC **D24/222**

(58) **Field of Classification Search**

USPC D24/216, 222-226, 231, 232, 108,
D24/112-115, 117, 121, 127, 130;
422/501-503, 507, 524-525, 513, 516,
422/922, 400, 519, 522, 520, 526, 560,
422/562, 923; 73/863.32, 864.01, 864.16,
73/864.14, 864.13, 864.11, 73; 436/180,
436/178; D9/447; 425/145; 428/35.7;
435/283.1; 206/562; 604/241

CPC B01L 3/0275; B01L 2300/0816; B01L
2400/0406; B01L 3/0279; B01L
2400/0487; B01L 3/021; B01L 9/06;
B01L 3/0217; B01L 3/0224; G01M 1/04;
A61M 5/347

See application file for complete search history.

(56) **References Cited**

U.S. PATENT DOCUMENTS

D198,263 S * 5/1964 Tietje D24/112
D204,352 S * 4/1966 Eizenberg D24/130

3,308,820 A 3/1967 Hubbard
D229,748 S 1/1974 White
4,108,175 A 8/1978 Orton
4,164,870 A 8/1979 Scordato et al.
D254,445 S 3/1980 Boghosian
D255,601 S * 6/1980 De Vaughn D24/222
D256,052 S * 7/1980 De Vaughn D24/222
D268,131 S 3/1983 St. Amand
4,418,580 A 12/1983 Satchell et al.
D286,570 S * 11/1986 Williams D24/112
4,679,446 A 7/1987 Sheehan et al.
D297,054 S * 8/1988 Williams D24/222
D300,561 S 4/1989 Asa et al.
4,859,610 A * 8/1989 Maggio G01N 33/5302
422/562
D310,569 S * 9/1990 Broden D24/222
D310,722 S * 9/1990 Broden D24/112
5,002,737 A 3/1991 Tervamaki
5,084,241 A 1/1992 Parker

(Continued)

OTHER PUBLICATIONS

U.S. Appl. No. 12/411,111, filed Jan. 17, 2012.

(Continued)

Primary Examiner — Ian Simmons

Assistant Examiner — Mark Cavanna

(74) *Attorney, Agent, or Firm* — White & Case LLP

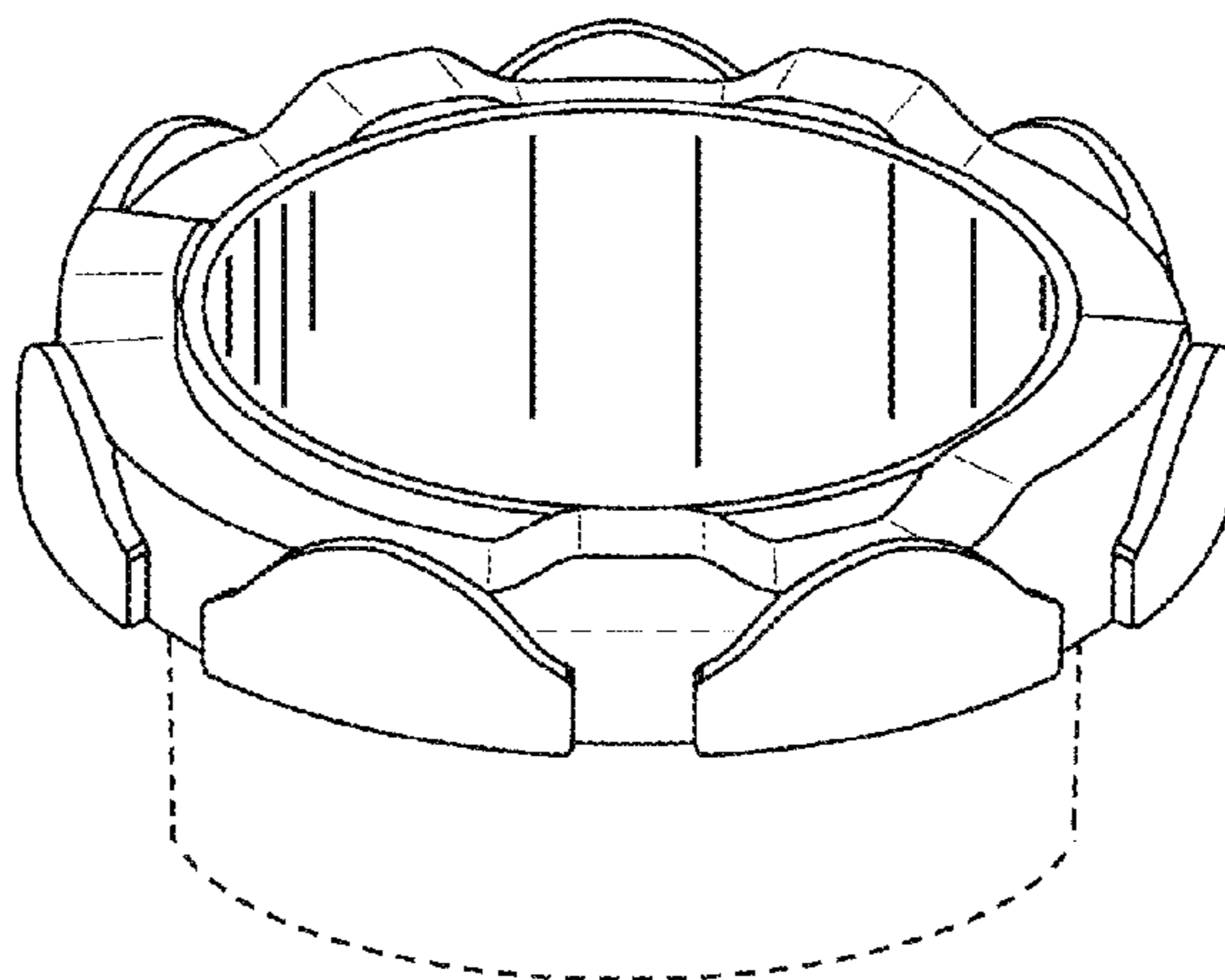
(57) **CLAIM**

The ornamental design for a flange for a pipette adapter, as shown and described.

DESCRIPTION

FIG. 1 is a front perspective view of a flange for a pipette adapter showing my new design; and, FIG. 2 is a front side view of the design of FIG. 1. The broken lines in the drawings represent unclaimed environmental subject matter.

1 Claim, 1 Drawing Sheet



(56)

References Cited

U.S. PATENT DOCUMENTS

5,232,669 A * 8/1993 Pardinias B01L 3/0275
206/562

5,406,856 A 4/1995 Kuhn

D358,464 S * 5/1995 Anderson D24/112

5,435,197 A 7/1995 Telimaa et al.

D365,146 S 12/1995 Olson

5,482,864 A 1/1996 Knobel

D380,555 S * 7/1997 Kurosaki D24/224

D384,162 S 9/1997 Husar et al.

D384,163 S 9/1997 Husar et al.

D387,425 S 12/1997 Niedospial et al.

D387,426 S 12/1997 Husar et al.

5,705,062 A 1/1998 Knobel

5,747,709 A 5/1998 Oshikubo

5,770,159 A 6/1998 Marteau D'Autry

D414,562 S * 9/1999 Tajima D24/222

6,019,004 A * 2/2000 Conley B01L 3/0224
422/923

6,123,905 A * 9/2000 Torti B01L 3/021
422/513

6,168,761 B1 * 1/2001 Kelly B01L 3/0275
422/522

D437,797 S 2/2001 Bishop

6,224,588 B1 * 5/2001 Jentzen A61M 5/347
604/241

6,461,808 B1 10/2002 Bodner et al.

D465,844 S * 11/2002 Anderson D24/130

D465,853 S * 11/2002 Petersen D24/222

7,185,551 B2 3/2007 Schwartz

D560,815 S * 1/2008 Tajima D24/222

D601,712 S * 10/2009 Tajima D24/222

7,690,274 B2 4/2010 Telimaa et al.

D652,148 S * 1/2012 Matsuura D24/224

D663,042 S * 7/2012 Motadel D24/222

D679,826 S * 4/2013 Ziegmann D24/222

D679,828 S * 4/2013 Motadel D24/222

D680,226 S * 4/2013 Motadel D24/222

D687,563 S * 8/2013 Tamura D24/222

D691,282 S * 10/2013 Motadel D24/222

D700,318 S * 2/2014 Amoah D24/112

D703,344 S * 4/2014 Herbst D24/222

8,828,331 B2 * 9/2014 Tajima B01L 3/0275
422/501

2006/0171851 A1 * 8/2006 Motadel B01L 3/0241
422/400

2007/0231215 A1 * 10/2007 Mototsu B01L 3/0275
422/400

2008/0078258 A1 * 4/2008 Price B01L 3/0279
73/864.01

2008/0138249 A1 6/2008 Itoh

2010/0218622 A1 * 9/2010 Motadel B01L 3/0279
73/864.01

2011/0263005 A1 10/2011 Chang et al.

OTHER PUBLICATIONS

U.S. Appl. No. 29/484,896, filed Mar. 13, 2014.

U.S. Appl. No. 29/484,902, filed Mar. 13, 2014.

U.S. Appl. No. 29/411,114, filed Jan. 17, 2012.

U.S. Appl. No. 29/480,526, filed Jan. 27, 2014.

U.S. Appl. No. 29/480,532, filed Jan. 27, 2014.

* cited by examiner

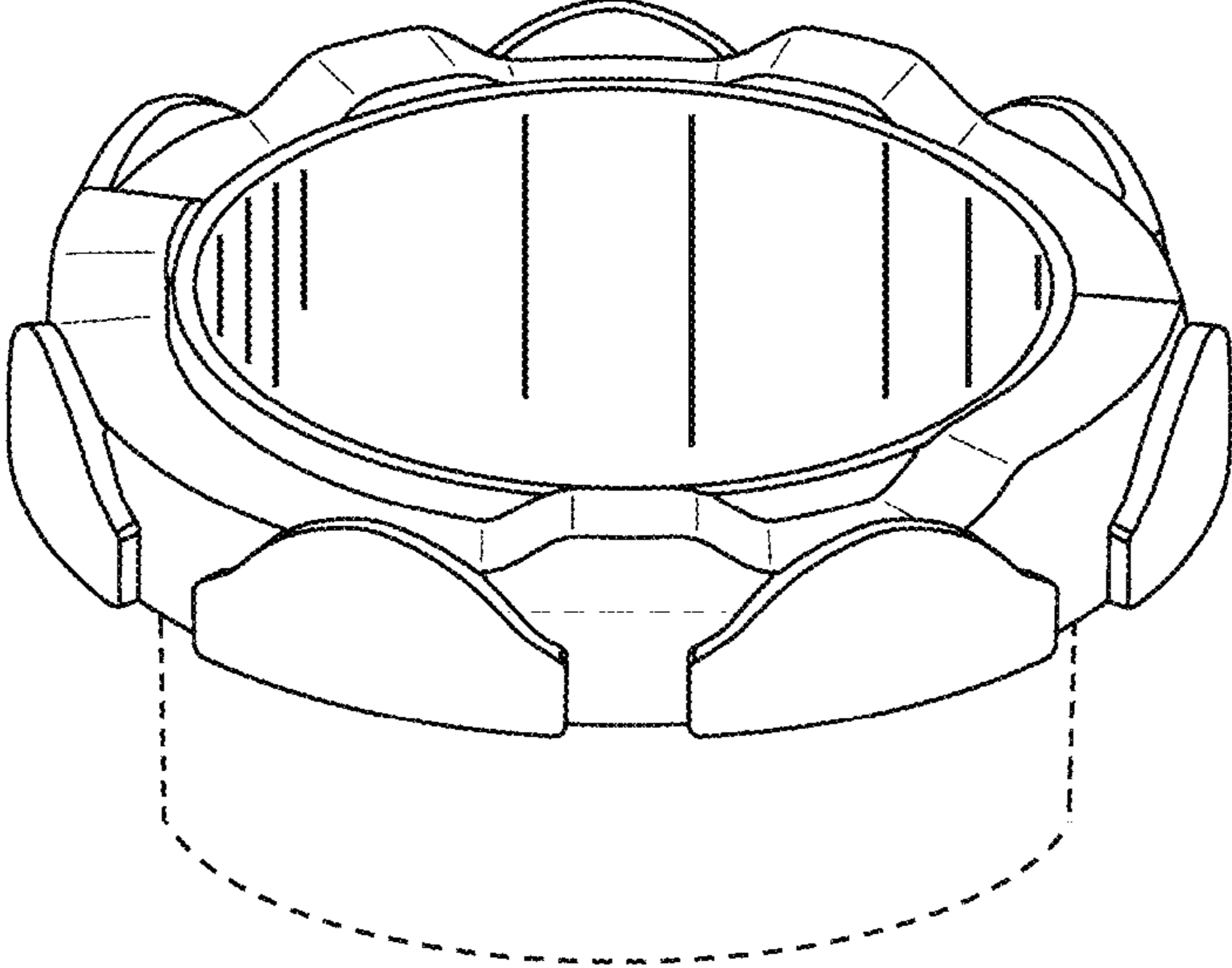


Fig. 1

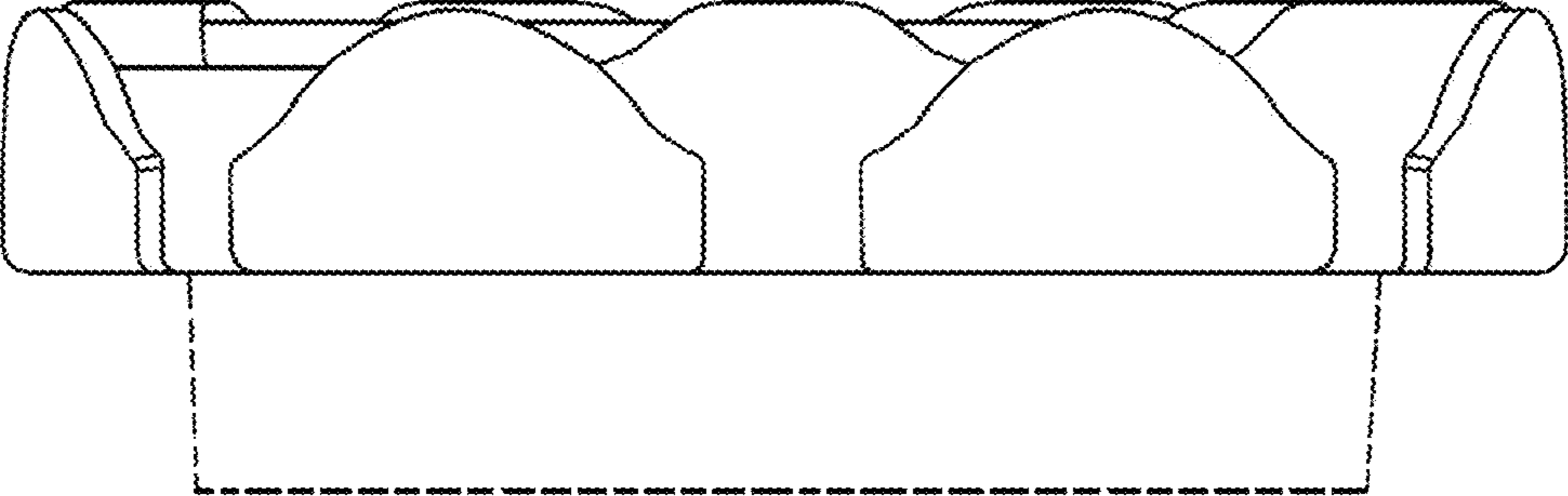


Fig. 2