



US00D805647S

(12) **United States Design Patent** (10) **Patent No.:** **US D805,647 S**
Jones et al. (45) **Date of Patent:** **** Dec. 19, 2017**

(54) **TEETHER** 5,606,871 A 3/1997 Hansen et al.
5,711,759 A * 1/1998 Smith A61J 17/006
601/139
(71) Applicant: **RCJ OPERATIONS TEXAS, LLC,** D391,363 S * 2/1998 Rohrig D24/194
Austin, TX (US) D392,389 S * 3/1998 Fletcher D24/195
5,782,868 A 7/1998 Moore, Jr. et al.
(72) Inventors: **Renee Jones,** Austin, TX (US); **Jon** 5,908,440 A 6/1999 McCloskey et al.
Kemmerer, Austin, TX (US) D440,718 S 4/2001 Florance
6,325,693 B1 * 12/2001 Rudell A23G 9/503
426/104
(73) Assignee: **RCJ OPERATIONS TEXAS, LLC,** 6,524,272 B1 2/2003 Berry
Austin, TX (US) D493,941 S 8/2004 Shecter
(**) Term: **15 Years** (Continued)

(21) Appl. No.: **29/538,016**
(22) Filed: **Aug. 31, 2015**
(51) **LOC (10) Cl.** **24-04**
(52) **U.S. Cl.**
USPC **D24/194**
(58) **Field of Classification Search**
USPC D24/115, 117, 193, 194, 195, 196, 214;
D30/160; D21/621, 625, 627
CPC A61J 17/00
See application file for complete search history.

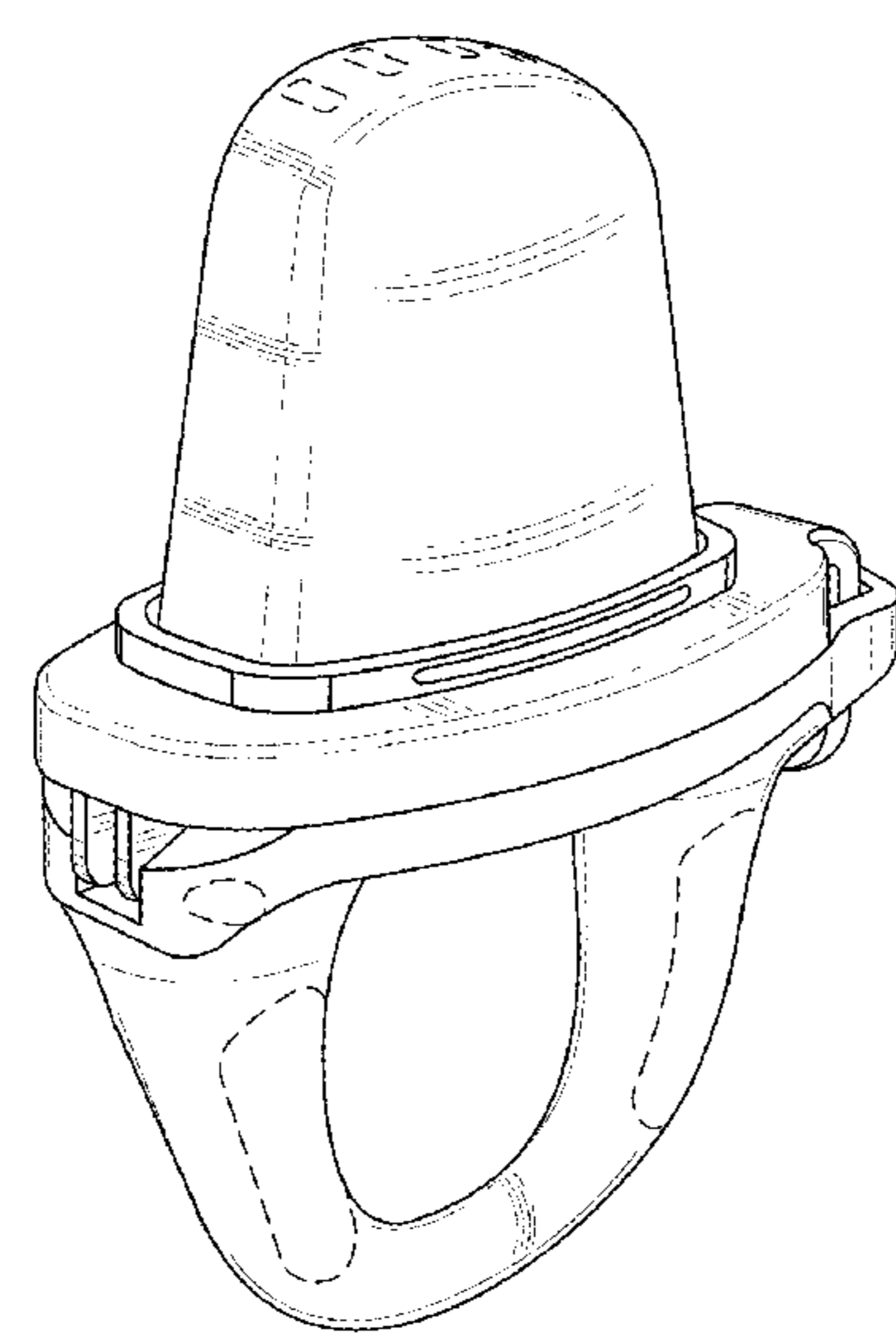
(56) **References Cited**
U.S. PATENT DOCUMENTS
1,095,264 A * 5/1914 Bridges A61J 17/02
606/235
2,612,165 A * 9/1952 Szuderski A61J 17/006
606/236
D194,728 S 2/1963 Ferguson
D213,167 S * 1/1969 Ferguson D1/101
3,669,117 A 6/1972 Herbst
3,875,940 A 4/1975 Beuther
4,192,307 A 3/1980 Baer
4,867,159 A * 9/1989 Fulton A61J 17/006
606/236
5,013,321 A 5/1991 MacVane
5,300,089 A 4/1994 Sassin
5,364,348 A 11/1994 Berry
D368,778 S 4/1996 Kino

OTHER PUBLICATIONS
“Kidsme Food Feeder”. Found online Nov. 4, 2016 at amazon.com.
Page dated Jan. 23, 2012. Retrieved from https://www.amazon.com/Kidsme-Food-Feeder-Yellow-Small/dp/B005KWL0OI/ref=cm_cr_arp_d_product_top?ie=UTF8&th=1.
(Continued)
Primary Examiner — Robert M. Spear
Assistant Examiner — Kendra L Hamilton

(57) **CLAIM**
The ornamental design for a teether, as shown and described.

DESCRIPTION
FIG. 1 is a top front perspective view of a teether showing our new design.
FIG. 2 is a bottom rear perspective view thereof;
FIG. 3 is a rear elevational view thereof;
FIG. 4 is a front elevational view thereof;
FIG. 5 is a right side elevational view thereof;
FIG. 6 is a left side elevational view thereof;
FIG. 7 is a top plan view thereof; and,
FIG. 8 is a bottom plan view thereof.
In the drawings, the broken lines depict environmental structure only and form no part of the claimed design.

1 Claim, 6 Drawing Sheets



(56)

References Cited

U.S. PATENT DOCUMENTS

D677,168	S *	3/2013	Bourguignon	D9/425
8,597,235	B2 *	12/2013	Lo	A61J 9/00 215/11.1
D736,572	S	8/2015	Trumbo et al.		
D737,095	S *	8/2015	Trumbo	D7/401.2
D738,171	S	9/2015	Masalin et al.		
D755,399	S *	5/2016	Jones	D24/194
2003/0014078	A1	1/2003	Robbins		
2003/0018359	A1	1/2003	Tuckey		
2004/0158200	A1	8/2004	Berry		
2005/0245861	A1	11/2005	Dunn et al.		
2006/0155332	A1	7/2006	Jewett		
2007/0225638	A1	9/2007	Stewart		
2009/0287247	A1	11/2009	Chipperson et al.		
2011/0029017	A1	2/2011	Shreve		
2013/0085530	A1	4/2013	Caputo		
2014/0074165	A1	3/2014	Paxson et al.		
2016/0262986	A1 *	9/2016	Jones	A61J 17/02

OTHER PUBLICATIONS

“Nuby Nibbler Review”. Found online Nov. 4, 2016 at mam-mabearsworld.com. Page dated Jun. 19, 2013. Retrieved from [http://www.mamabearsworld.com/2013/06/19/nuby-nibbler-re-view/](http://www.mamabearsworld.com/2013/06/19/nuby-nibbler-review/).*

“The Baby Safe Feeder’s 2+2 Starter Set”. Found online Nov. 4, 2016 at amazon.com. Page dated Sep. 16, 2008. Retrieved from

https://www.amazon.com/Baby-Safe-Feeders-Starter-Set/dp/B00074FY9Q/ref=cm_cr_ar_p_d_product_top?ie=UTF8.*

“B.Box Fresh Food Feeder”. Found online Nov. 4, 2016 at bbox.com.au. Page dated May 17, 2015. Retrieved from <https://web.archive.org/web/20150517041002/http://bbox.com.au/collections/feeding/products/fresh-food-feeder-blueberry>.*

International Search Report & Written Opinion dated Jan. 2, 2015, with regard to International Application No. PCT/US2014/057215 (5 pgs).

Patent Application No. PCT/US14/057215, filed Sep. 24, 2014.

Akachan BOON Pulp Feeder, 2003-2012, 4 pgs.

Annabel Karmel “Mini Ice Lolly Set”, 1 pg.

Technical Search, dated Jul. 18, 2013, 2 pgs.

U.S. Appl. No. 14/398,636, filed Nov. 3, 2014.

U.S. Appl. No. 29/496,606, filed Jul. 15, 2014.

“Munchkin Fresh Food Feeder”. Found online Aug. 24, 2015 at amazon.com. Page dated Nov. 17, 2005. Retrieved from http://www.amazon.com/Munchkin-Fresh-Food-Feeder-Green/dp/B0009ET93Q/ref=cm_cr_pr_product_top?ie=UTF8.

“Sassy Teething Feeder”. Found online Aug. 24, 2015 at amazon.com. Page dated Nov. 17, 2005. Retrieved from http://www.amazon.com/Sassy-Teething-Feeder-Discontinued-Manufacturer/dp/B0014PLGS/ref=cm_cr_pr_product_top?ie=UTF8.

“The First Years John Deere Massaging Corn Teether”. Found online Aug. 24, 2015 at amazon.com. Page dated Jul. 17, 2008. Retrieved from http://www.amazon.com/The-First-Years-Massaging-Teether/dp/B0013FCBJO/ref=cm_cr_pr_product_top?ie=UTF8.

* cited by examiner

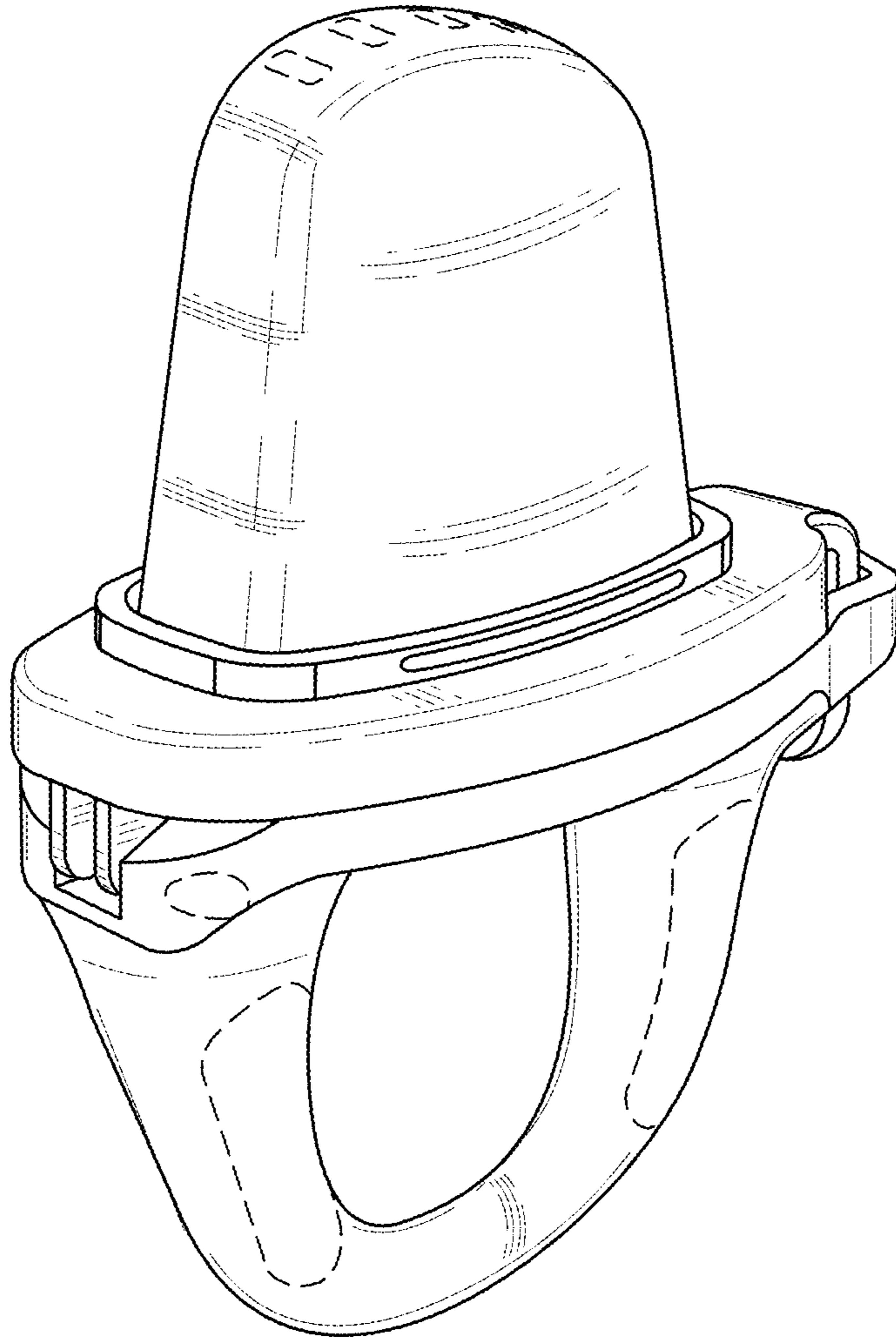


FIG. 1

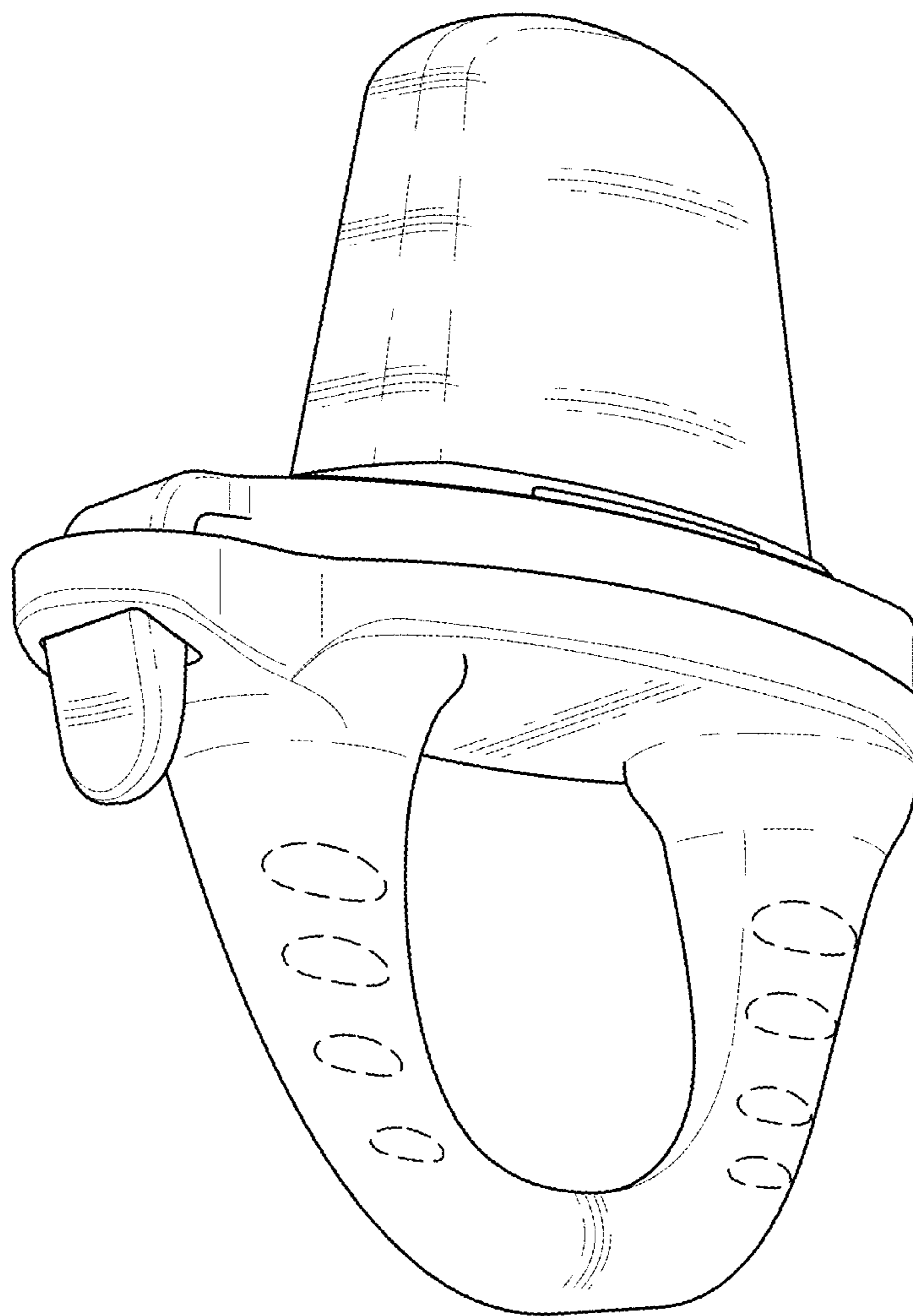


FIG. 2

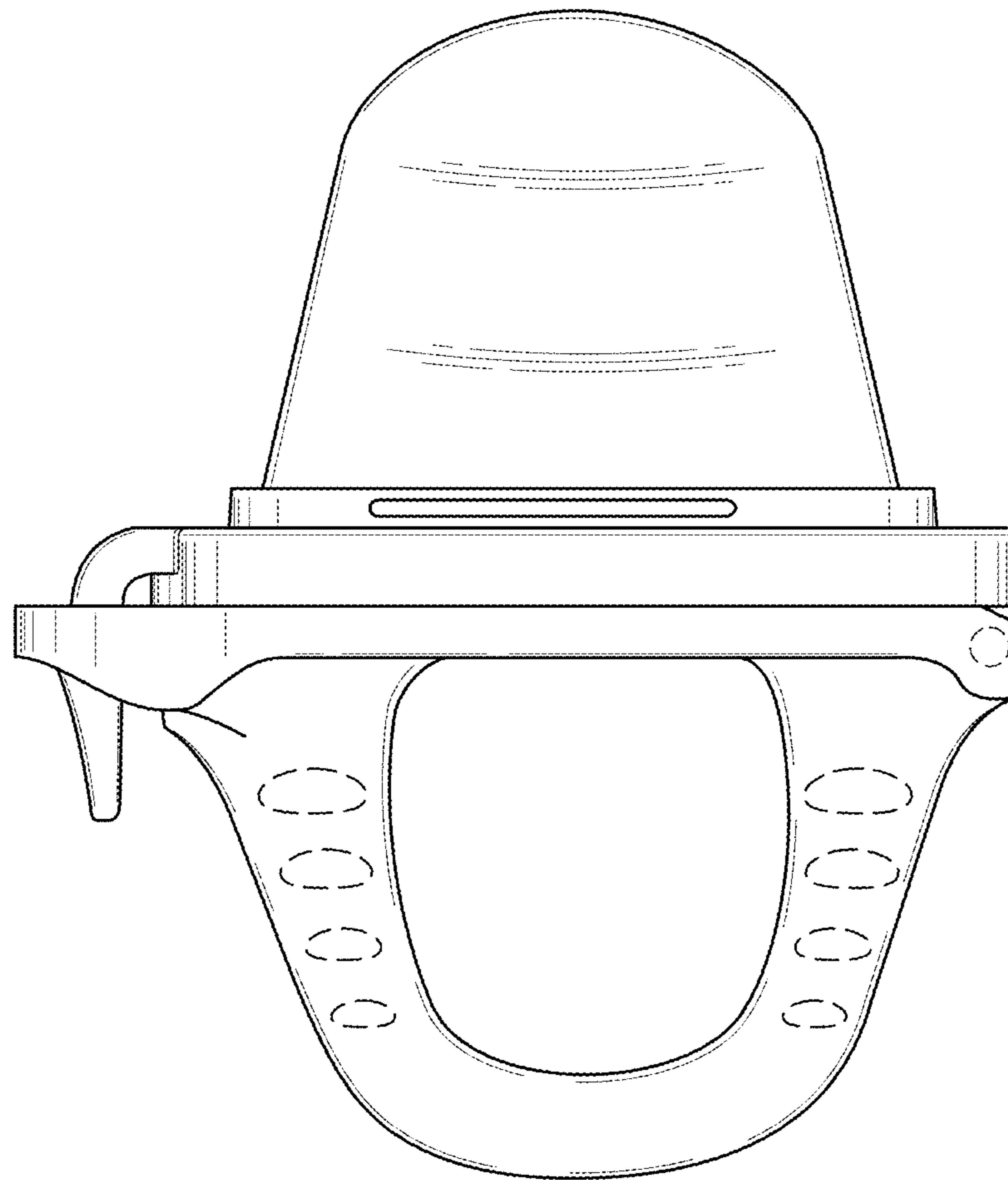


FIG. 3

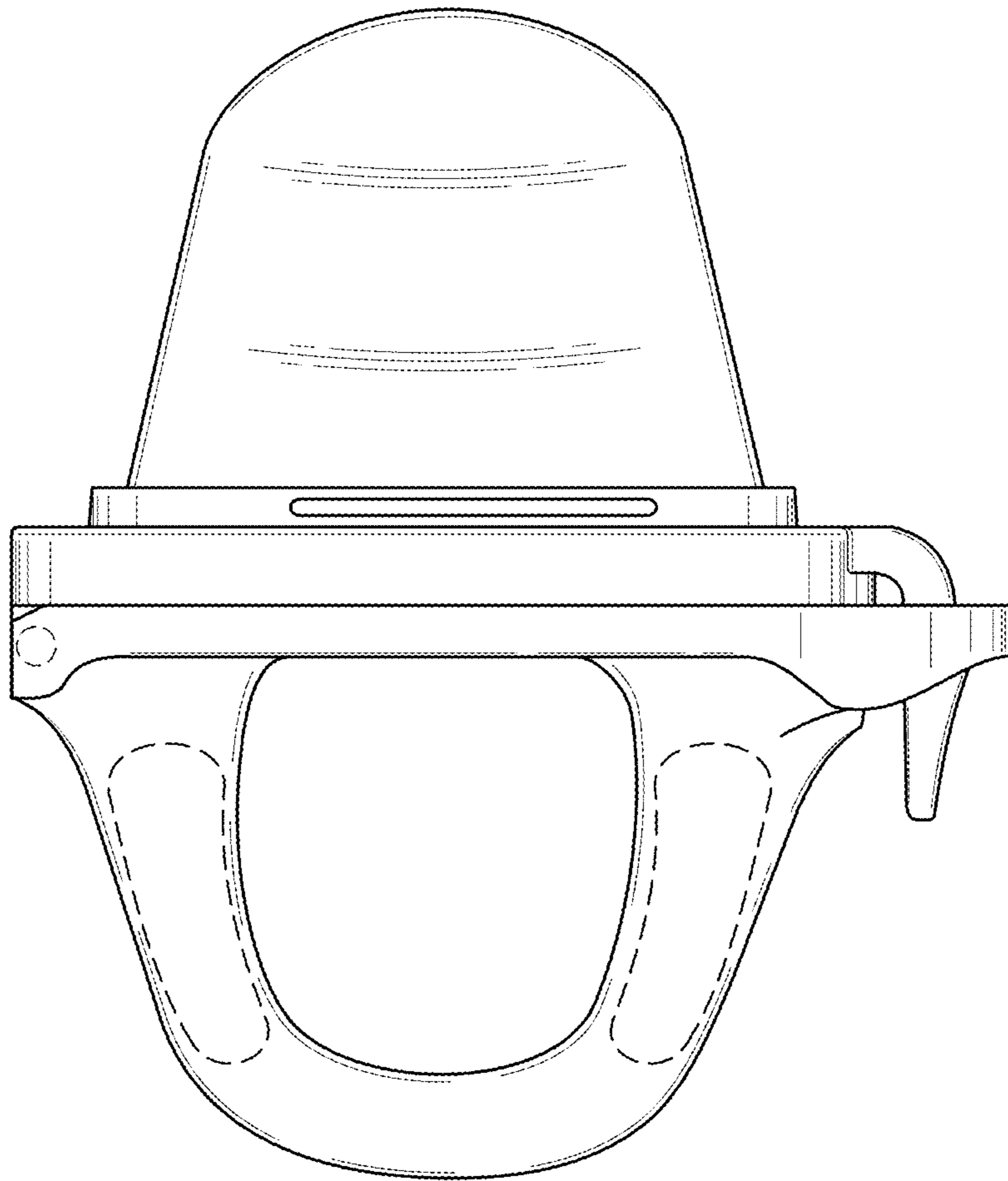


FIG. 4

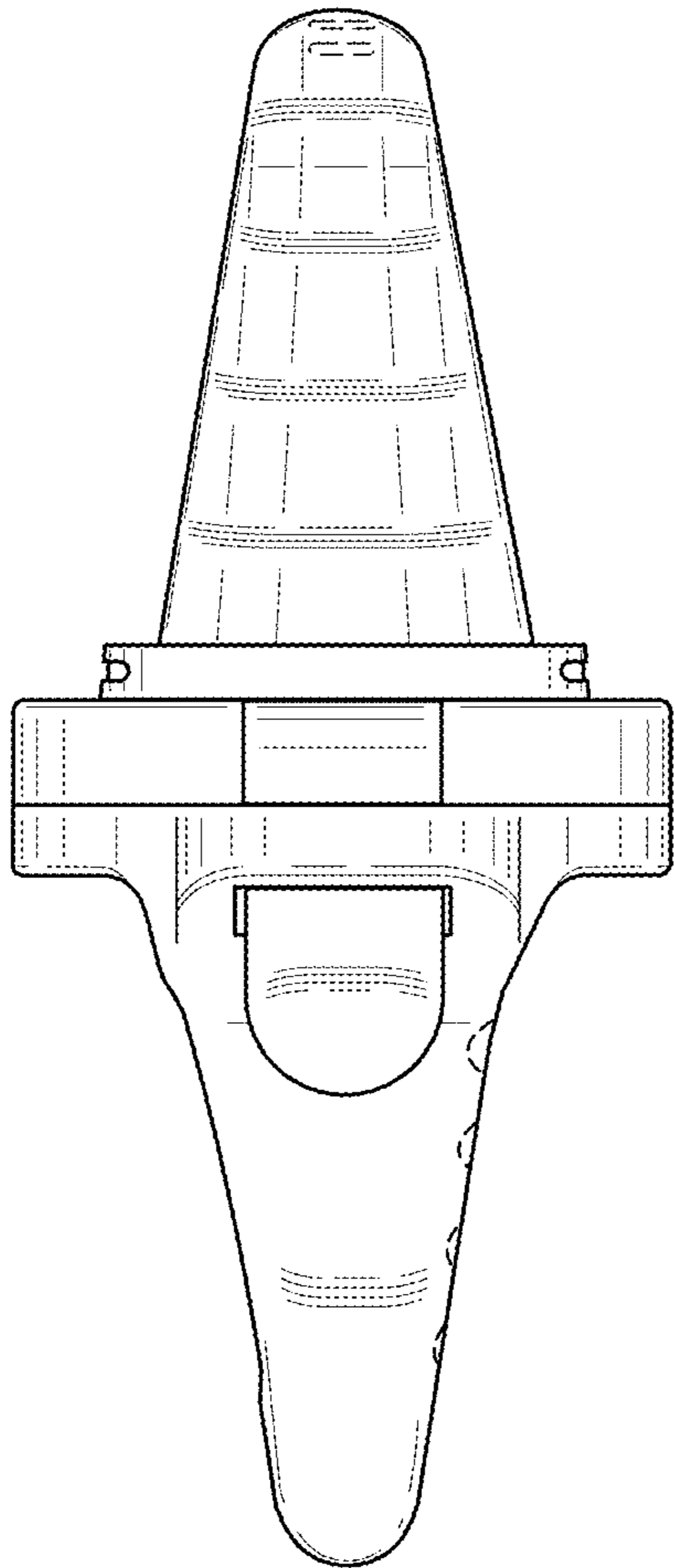


FIG. 5

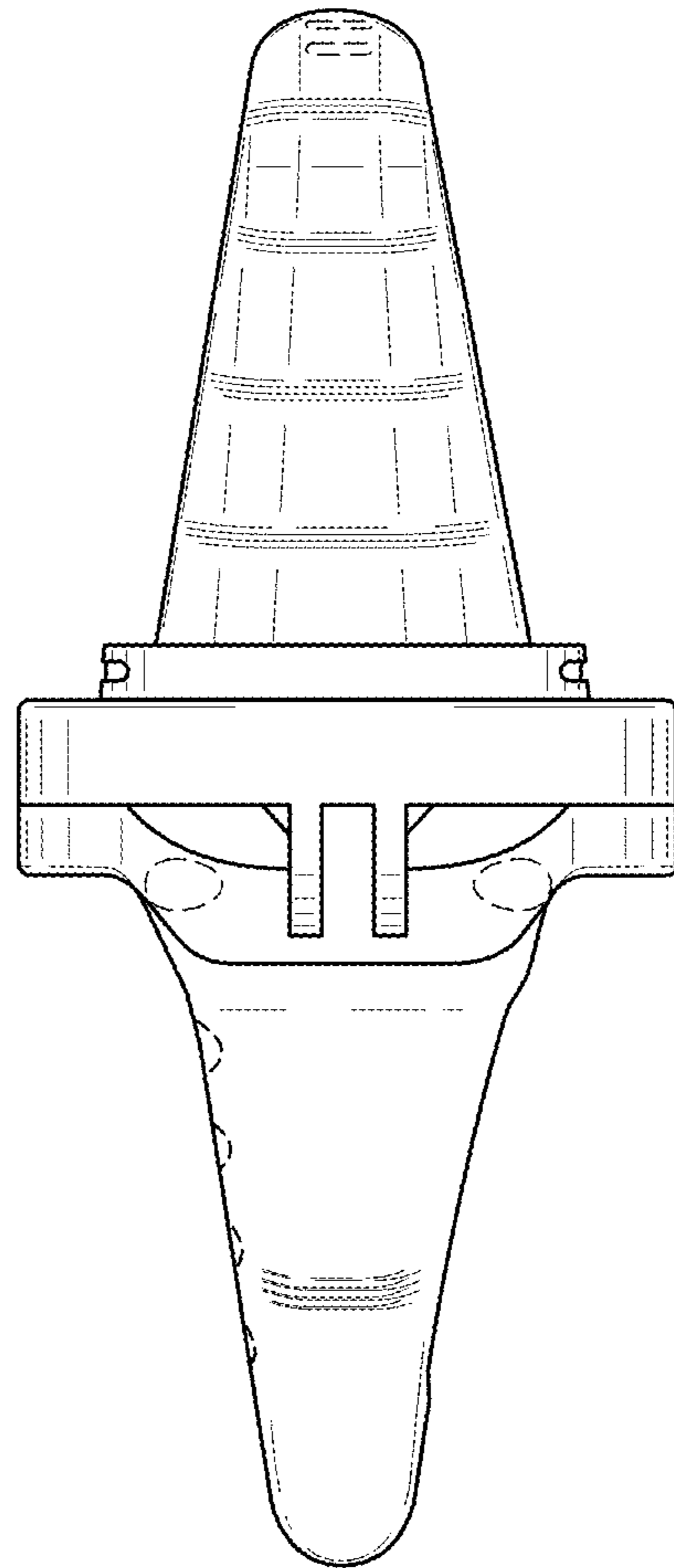


FIG. 6

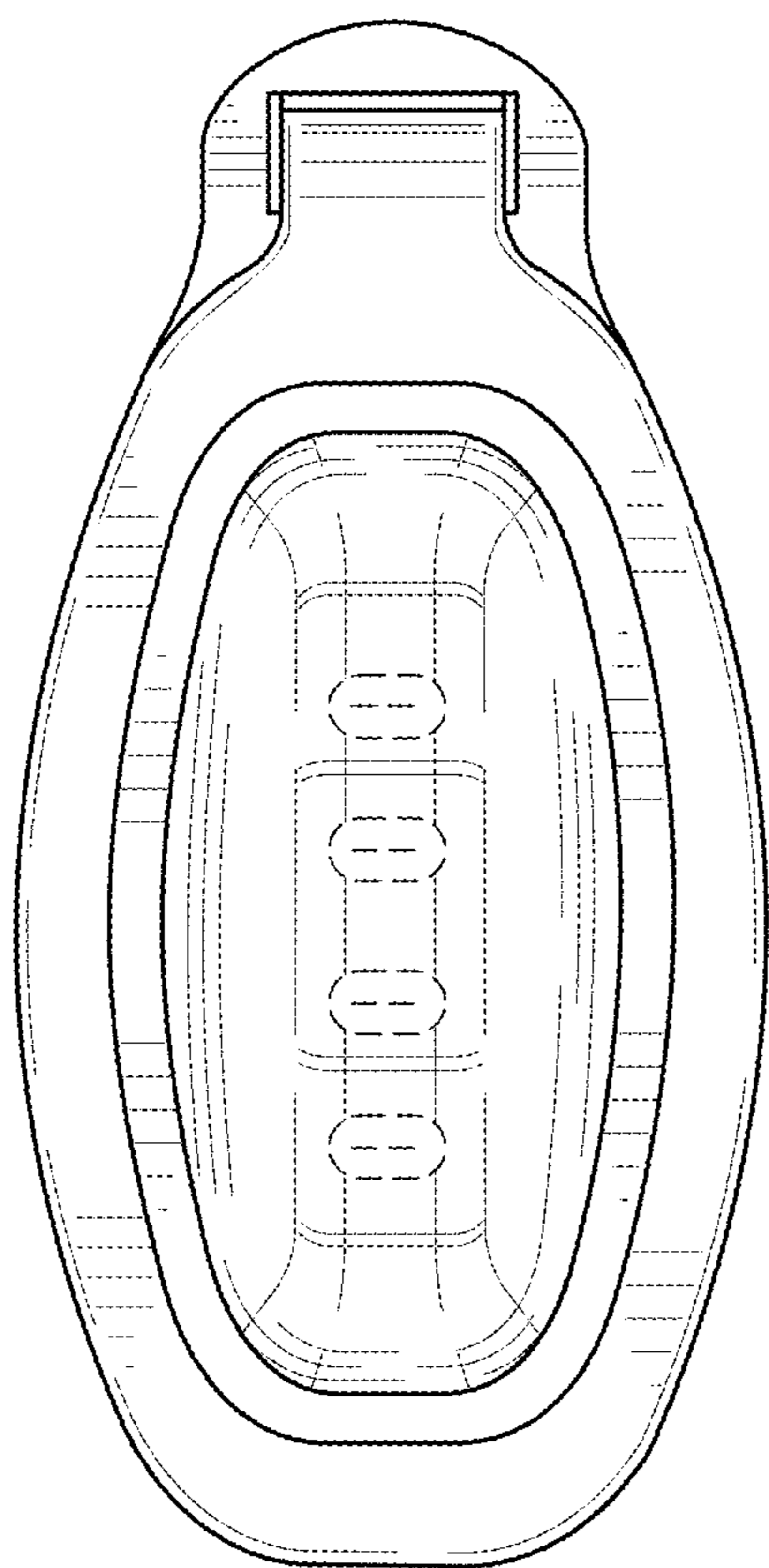


FIG. 7

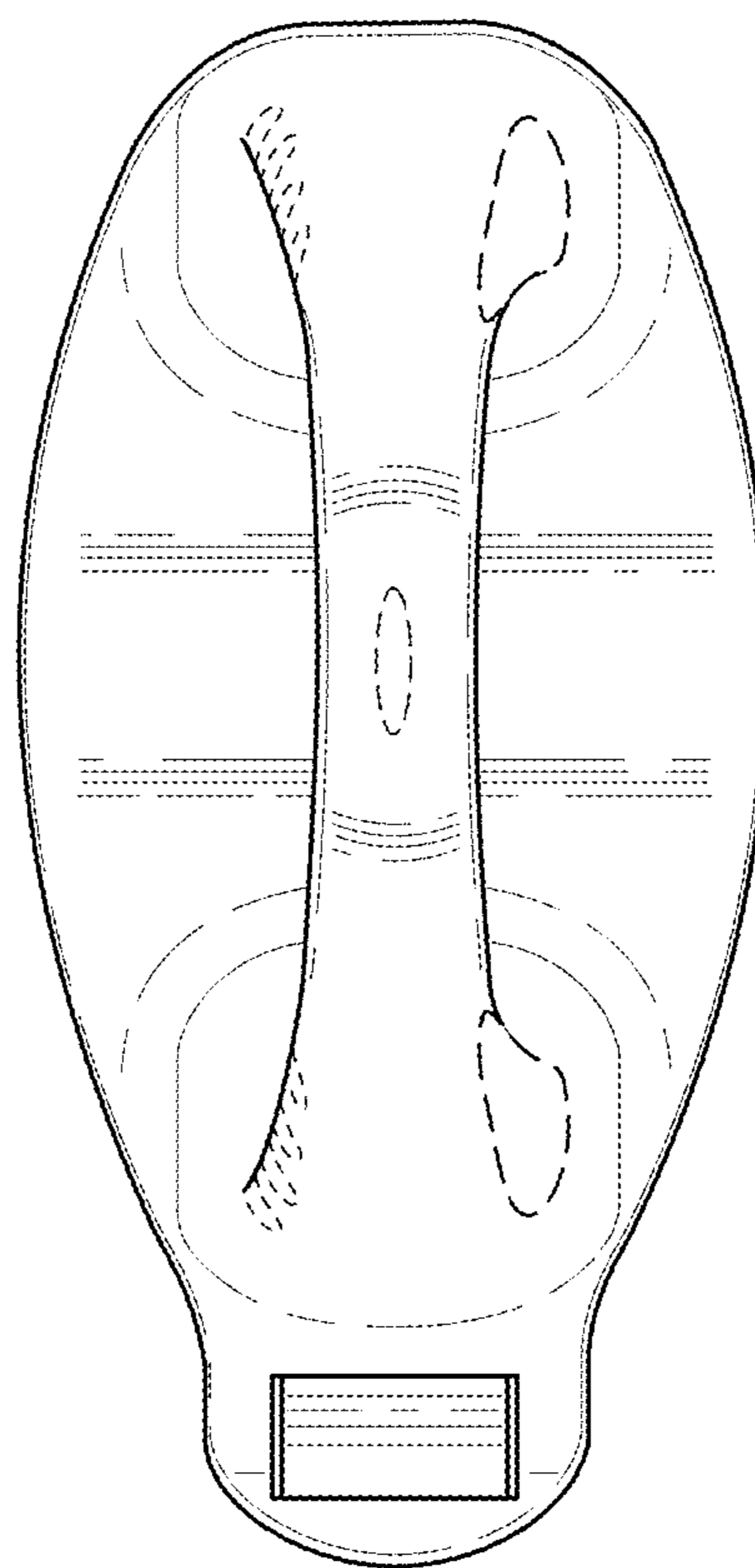


FIG. 8