



US00D805646S

(12) **United States Design Patent**
Burns et al.

(10) **Patent No.:** **US D805,646 S**

(45) **Date of Patent:** **** Dec. 19, 2017**

(54) **MEDICAL DEVICE WITH DISPLAY**

(71) Applicant: **Bruin Biometrics, LLC**, Los Angeles, CA (US)

(72) Inventors: **Martin Fitzgerald Burns**, Los Angeles, CA (US); **Herman Louis Lelie, II**, Sherman Oaks, CA (US); **Rob Andre Pecsar**, San Diego, CA (US)

(73) Assignee: **BRUIN BIOMETRICS, LLC**, Los Angeles, CA (US)

(**) Term: **15 Years**

(21) Appl. No.: **29/562,371**

(22) Filed: **Apr. 25, 2016**

(51) **LOC (10) Cl.** **24-02**

(52) **U.S. Cl.**
USPC **D24/185**

(58) **Field of Classification Search**
USPC D24/158-160, 164, 170, 177, 183-186, D24/231; D4/406.1-406.2; D13/163
CPC F16M 11/42; F16M 2013/025; F16M 2013/026; F16M 2013/027; A61M 5/1415; A61B 50/10; A61B 50/13; A61B 8/4405; A61B 13/023; A61B 2013/025; A61B 2013/026; A61B 2013/027; A47C 7/004; A47C 7/006

See application file for complete search history.

(56) **References Cited**

U.S. PATENT DOCUMENTS

D594,126 S * 6/2009 Tamburrino D24/185
D657,470 S * 4/2012 Schon D24/186

* cited by examiner

Primary Examiner — Sheryl Lane

Assistant Examiner — Calvin E Vansant

(74) *Attorney, Agent, or Firm* — David R. Marsh; Arnold & Porter Kaye Scholer LLP

(57) **CLAIM**

The ornamental design for a medical device with display, substantially as shown and described.

DESCRIPTION

FIG. 1 is perspective view of a medical device with a display.

FIG. 2 is a front view of the medical device of FIG. 1.

FIG. 3 is a rear view of the medical device of FIG. 1.

FIG. 4 is a left-hand-side view of the medical device of FIG. 1.

FIG. 5 is a right-hand-side view of the medical device of FIG. 1.

FIG. 6 is a top view of the medical device of FIG. 1.

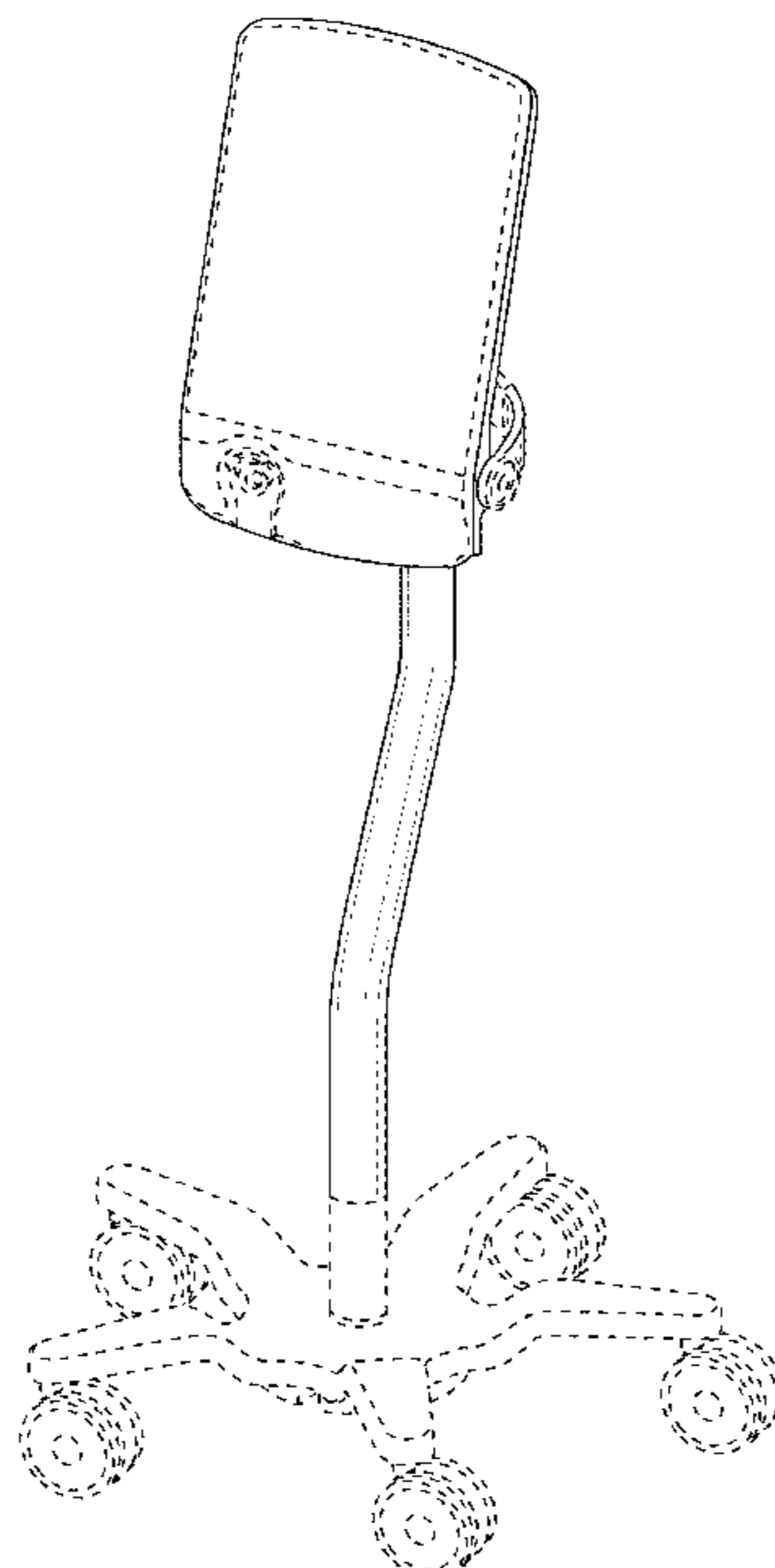
FIG. 7 is a bottom view of the medical device of FIG. 1; and, FIG. 8 is a sectional bottom view of FIG. 2 viewed along line 8-8.

The broken lines depict portions of the medical device with display that form no part of the claim.

In addition, the medical device with display may be of any color, shade, or combination of color and shades.

Also, the references to “perspective,” “front,” “back,” “side,” and “top” views in the Figure and Descriptions are not necessarily meant to require any specific orientation of the article as viewed. A medical device according to the claimed design may be used in any orientation.

1 Claim, 8 Drawing Sheets



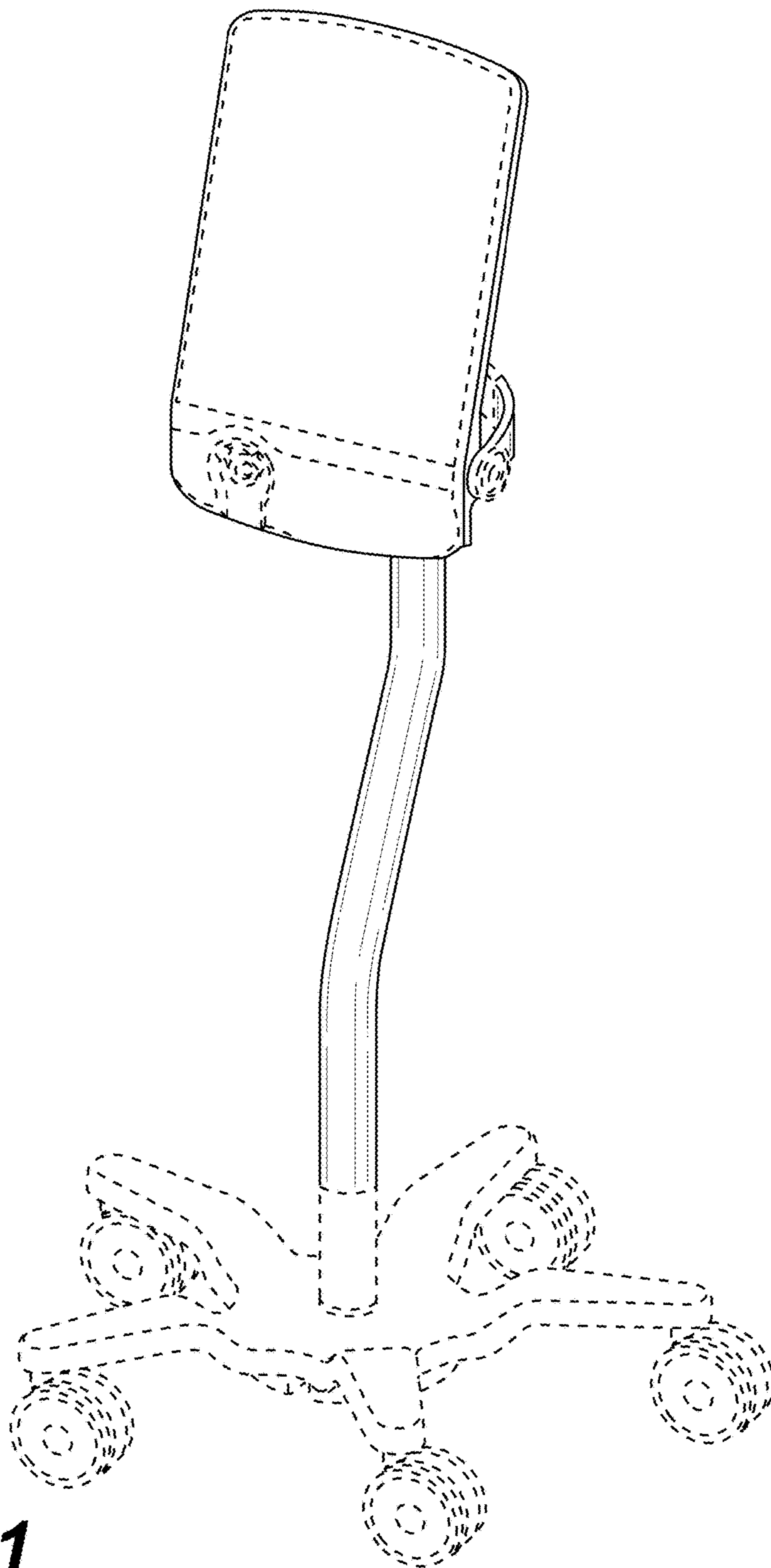


FIG. 1

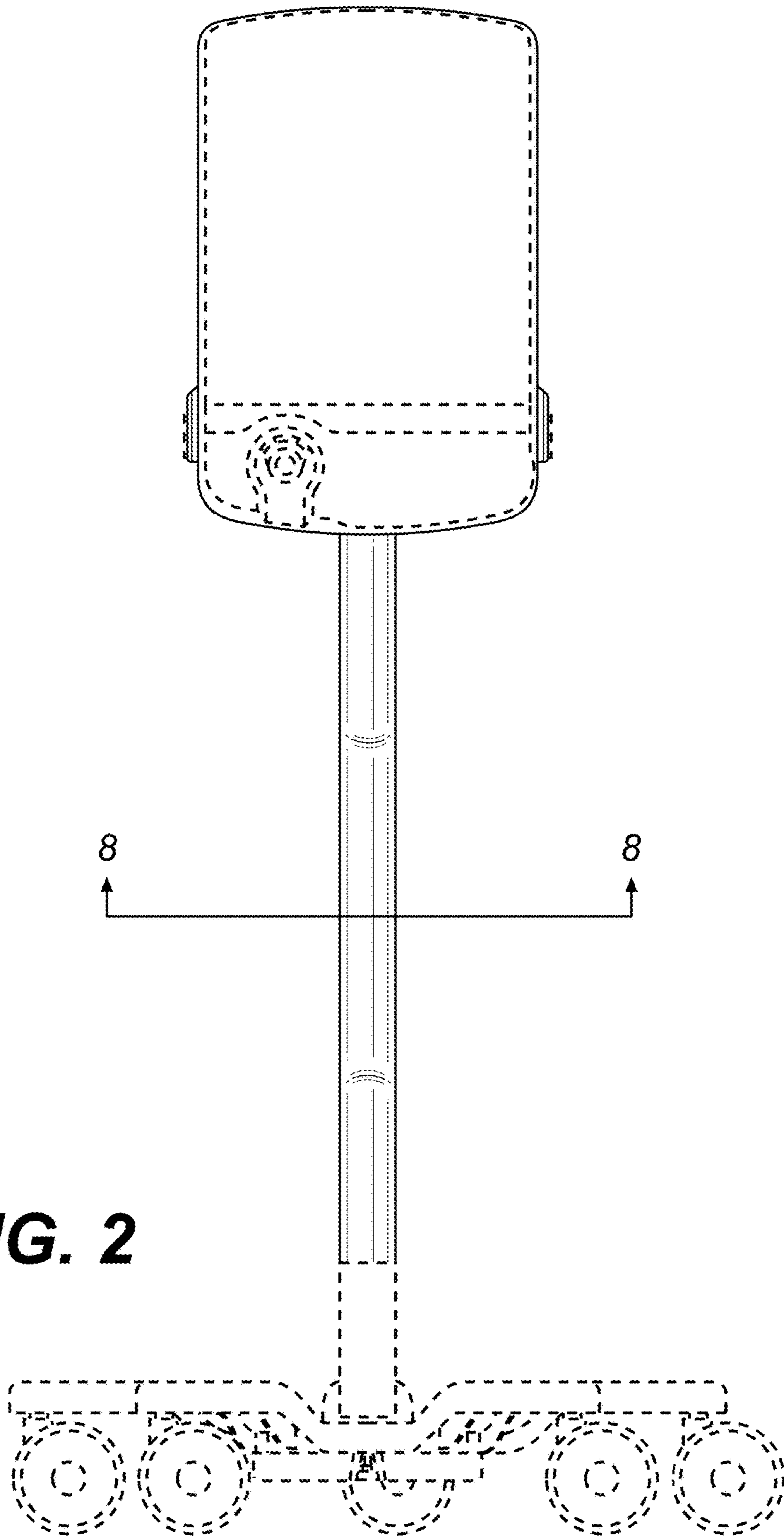


FIG. 2

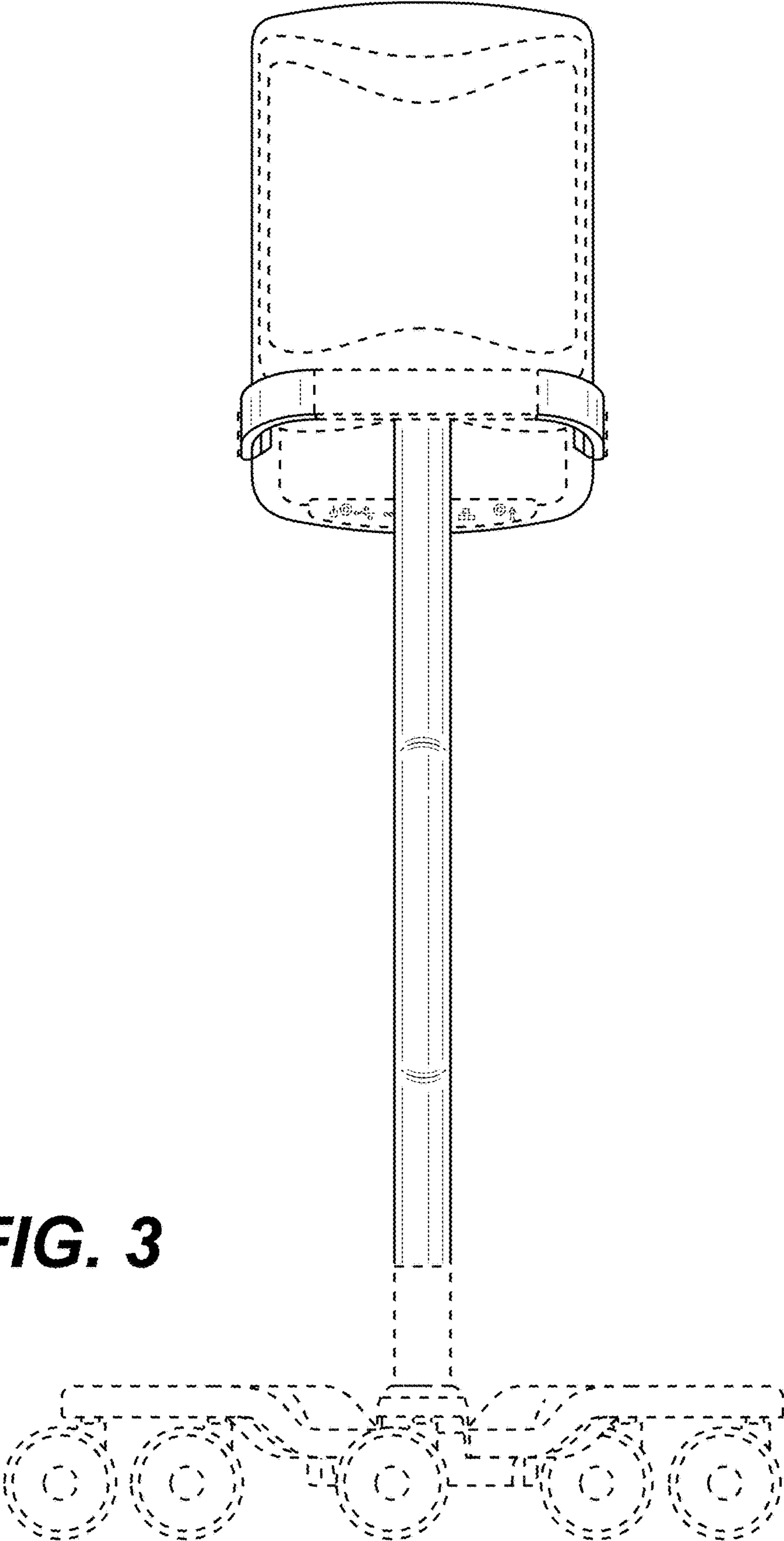


FIG. 3

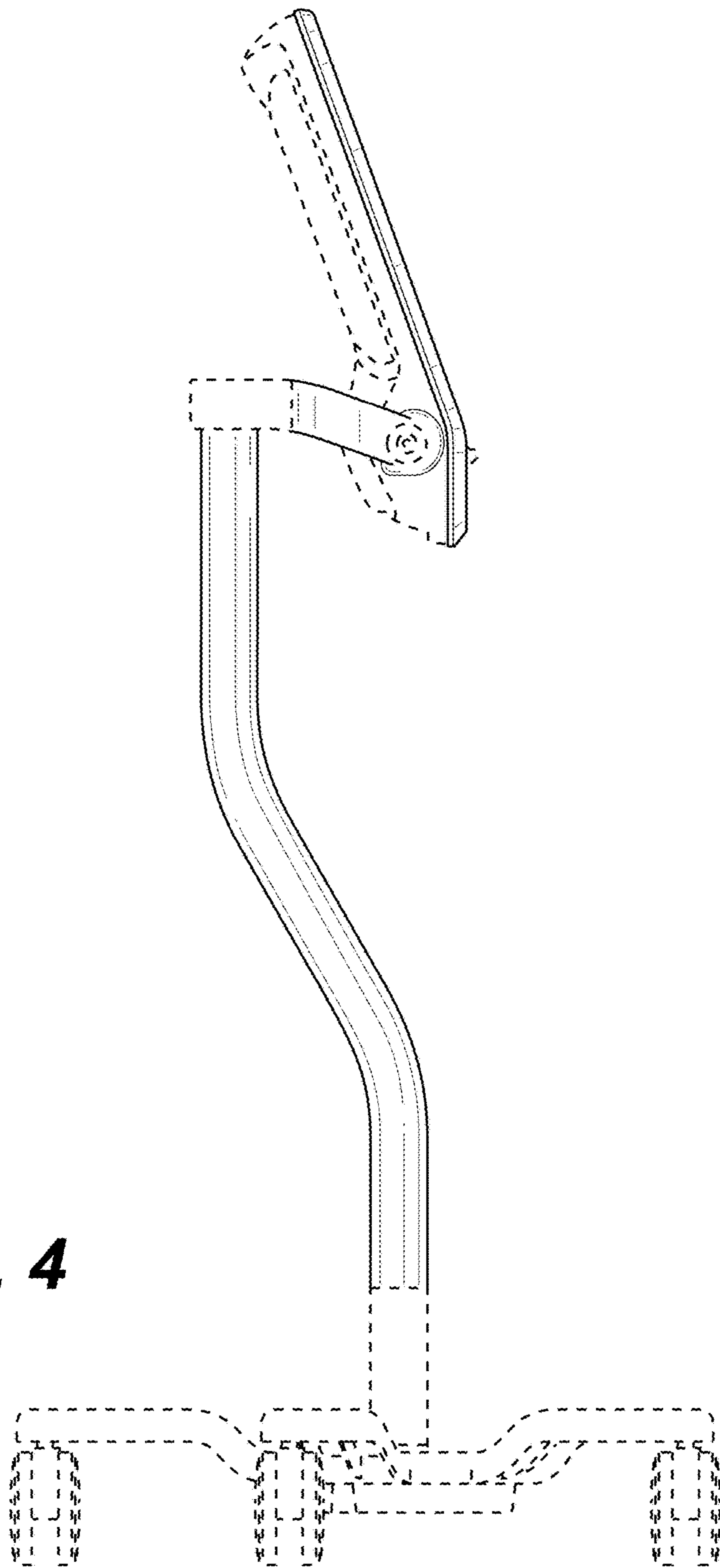


FIG. 4

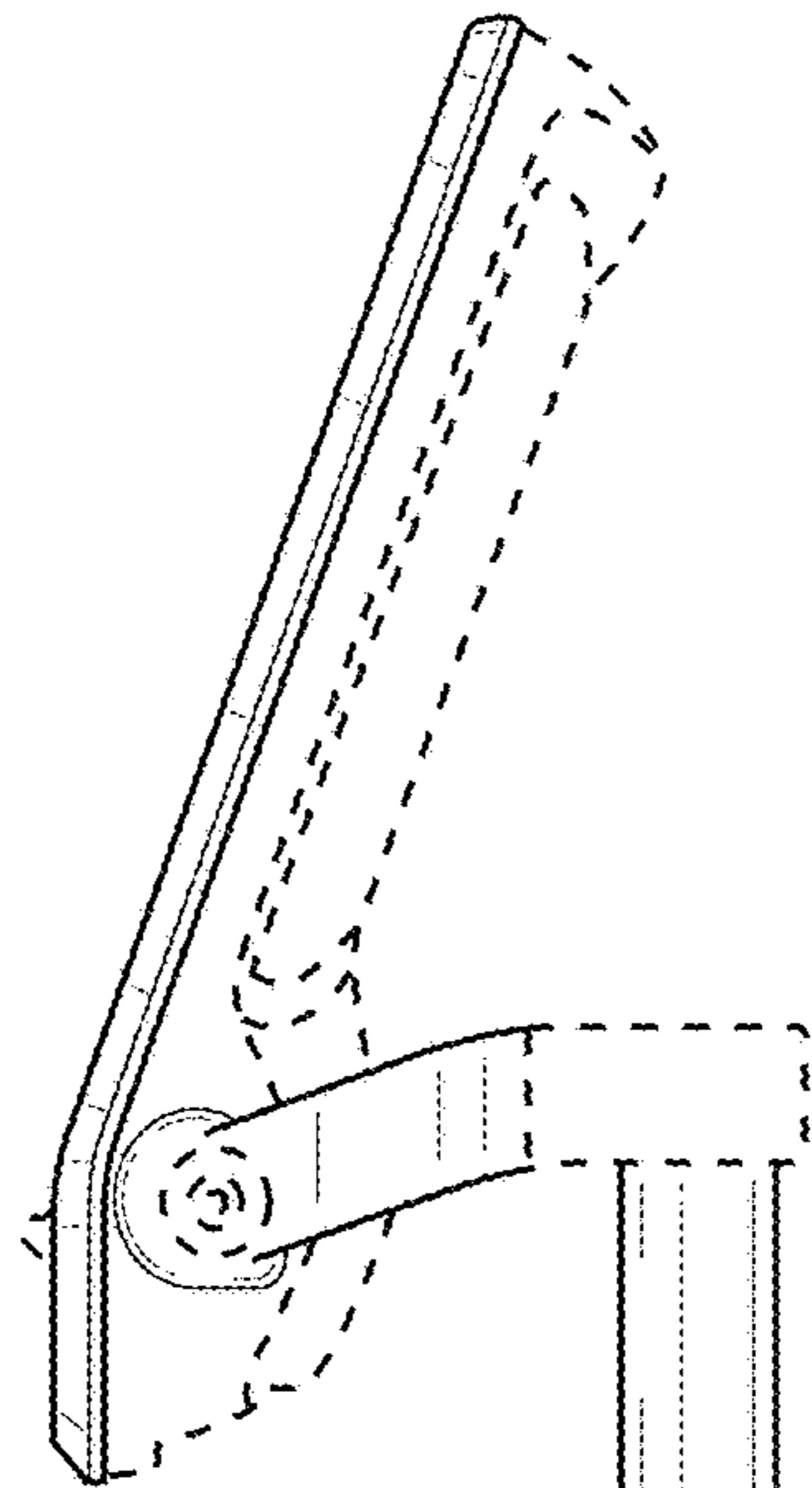
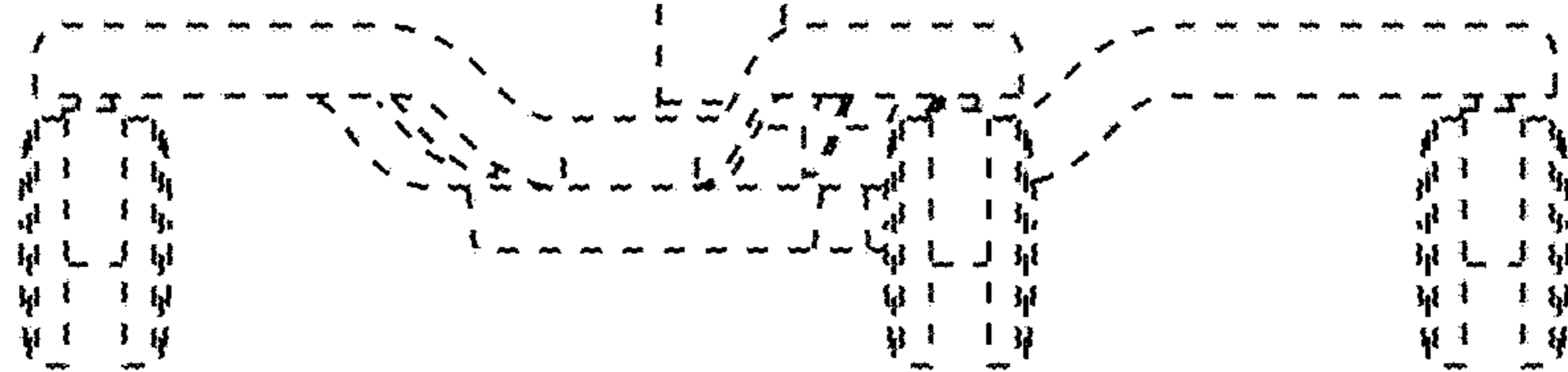


FIG. 5



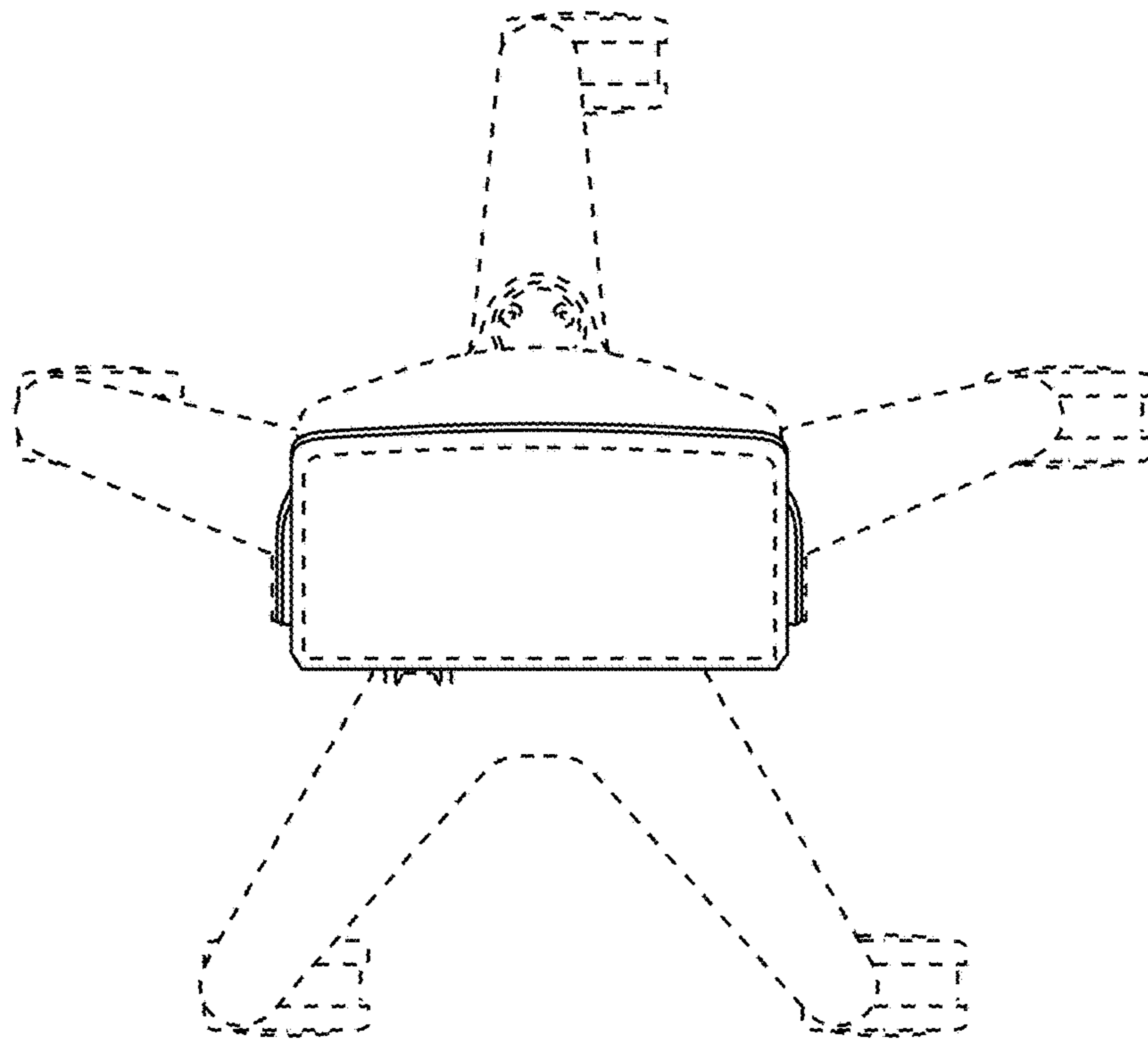


FIG. 6

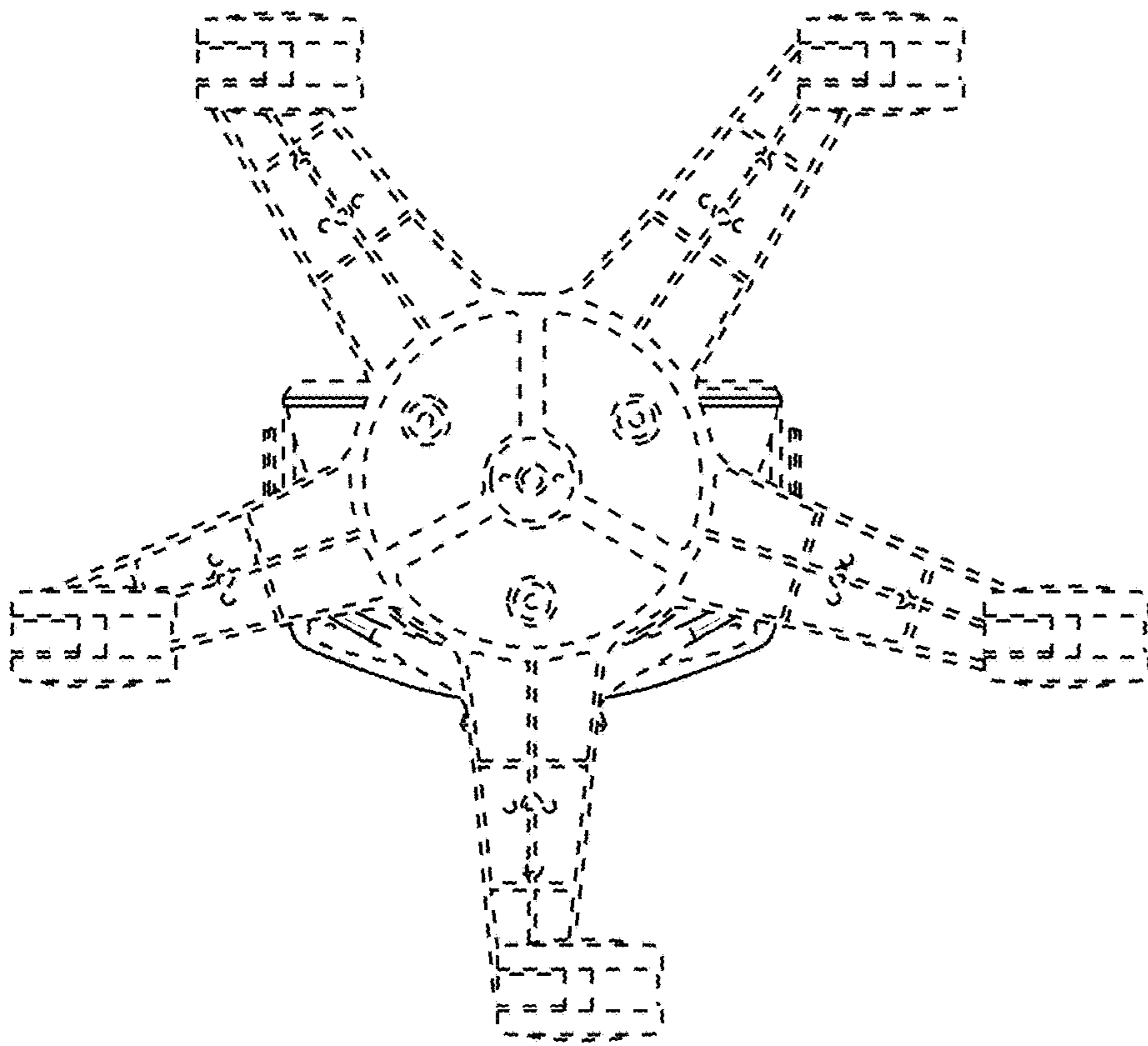


FIG. 7

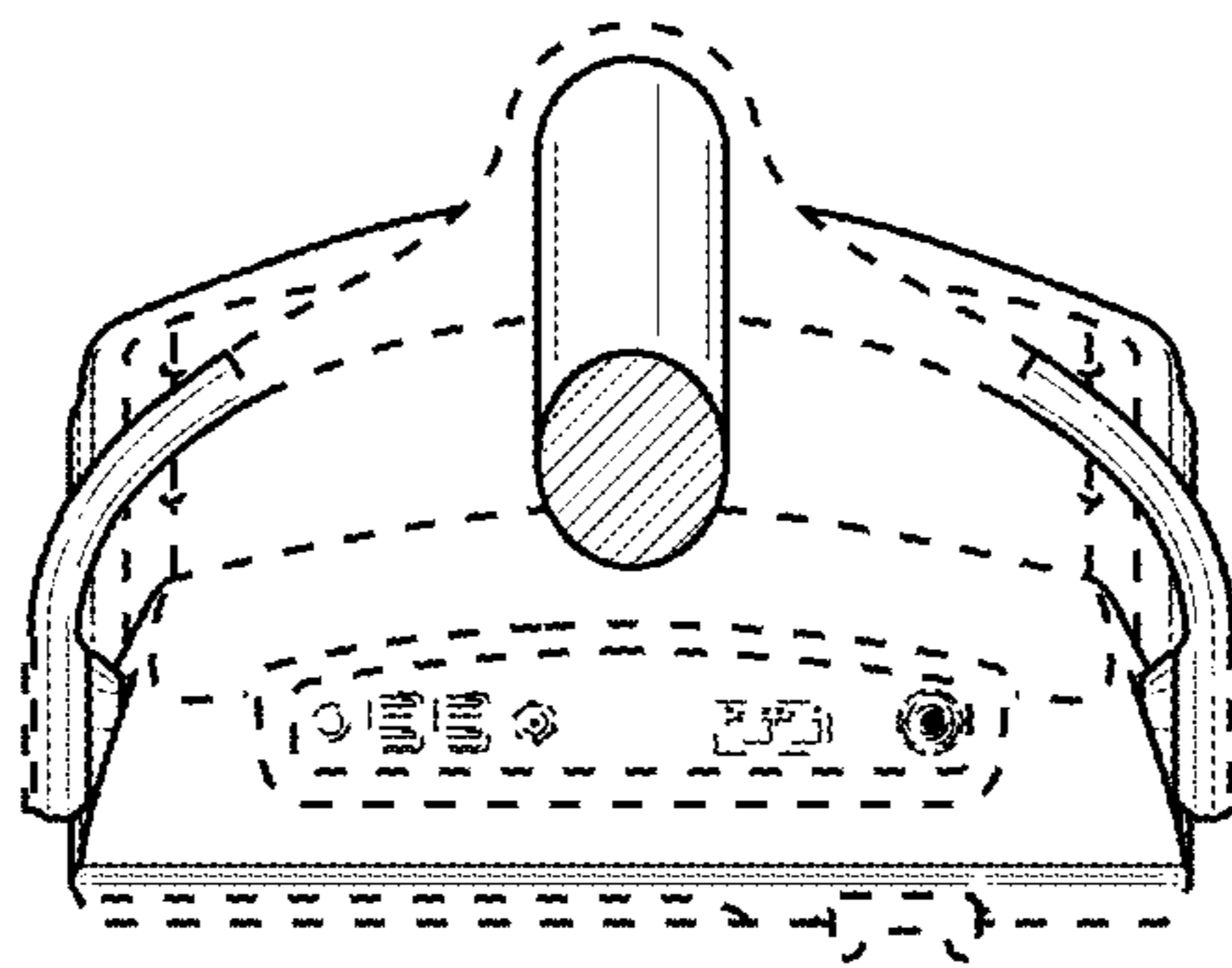


FIG. 8