



US00D805644S

(12) **United States Design Patent** (10) **Patent No.:** **US D805,644 S**
Lesser (45) **Date of Patent:** **** Dec. 19, 2017**

(54) **BITE BLOCK LIP PROTECTOR**
(71) Applicant: **Robyn Lesser**, Clearwater, FL (US)
(72) Inventor: **Robyn Lesser**, Clearwater, FL (US)
(**) Term: **15 Years**

(21) Appl. No.: **29/583,956**

(22) Filed: **Nov. 10, 2016**

Related U.S. Application Data

(63) Continuation-in-part of application No. 14/790,374, filed on Jul. 2, 2015.

(51) **LOC (10) Cl.** **24-02**

(52) **U.S. Cl.**
USPC **D24/176**

(58) **Field of Classification Search**
USPC D24/176-182, 152, 155-156, 135;
433/140, 37, 93-94
CPC A61C 5/90; A61C 5/85; A61C 5/14; A61B
1/24
See application file for complete search history.

(56) **References Cited**

U.S. PATENT DOCUMENTS

D496,995 S * 10/2004 Dorfman A61C 5/90
D24/135
6,923,761 B1 * 8/2005 Dorfman A61C 5/90
433/140

D634,841 S * 3/2011 Tao D24/152
D778,449 S * 2/2017 Ingemarsson-Matzen .. D24/181
2006/0234187 A1* 10/2006 Kilcher A61C 5/90
433/140
2008/0064001 A1* 3/2008 Dorfman A61C 5/90
433/29
2017/0000586 A1* 1/2017 Lesser A61C 5/90

* cited by examiner

Primary Examiner — Wan Laymon

(74) *Attorney, Agent, or Firm* — Thomas | Horstemeyer, LLP

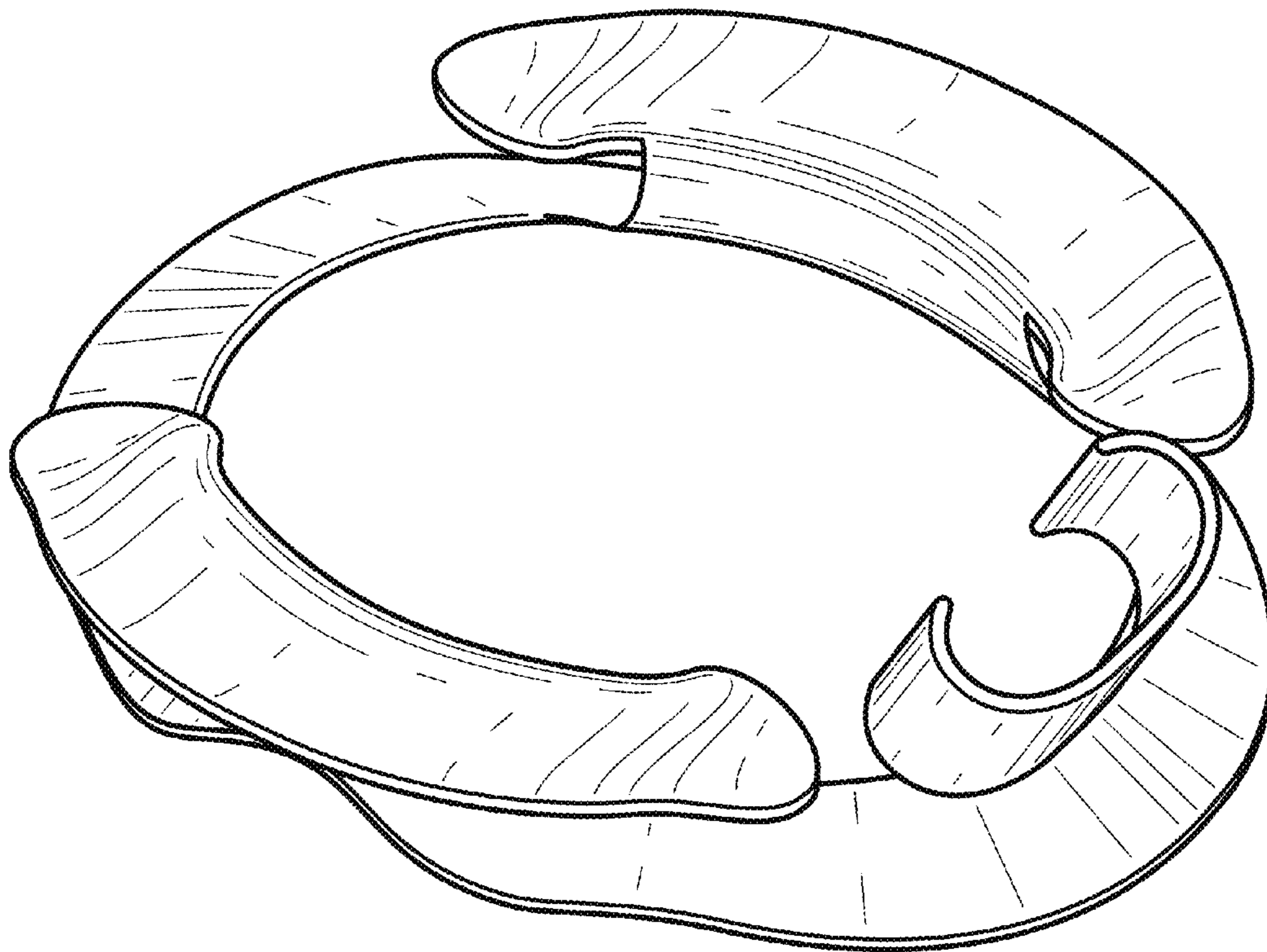
(57) **CLAIM**

The ornamental design of a bite block lip protector, as shown and described.

DESCRIPTION

FIG. 1 is a perspective view showing my new bite block lip protector;
FIG. 2 is a right side view thereof;
FIG. 3 is a left side view thereof;
FIG. 4 is a bottom view thereof;
FIG. 5 is a top view thereof;
FIG. 6 is a front view thereof; and,
FIG. 7 is a rear view thereof.

1 Claim, 5 Drawing Sheets



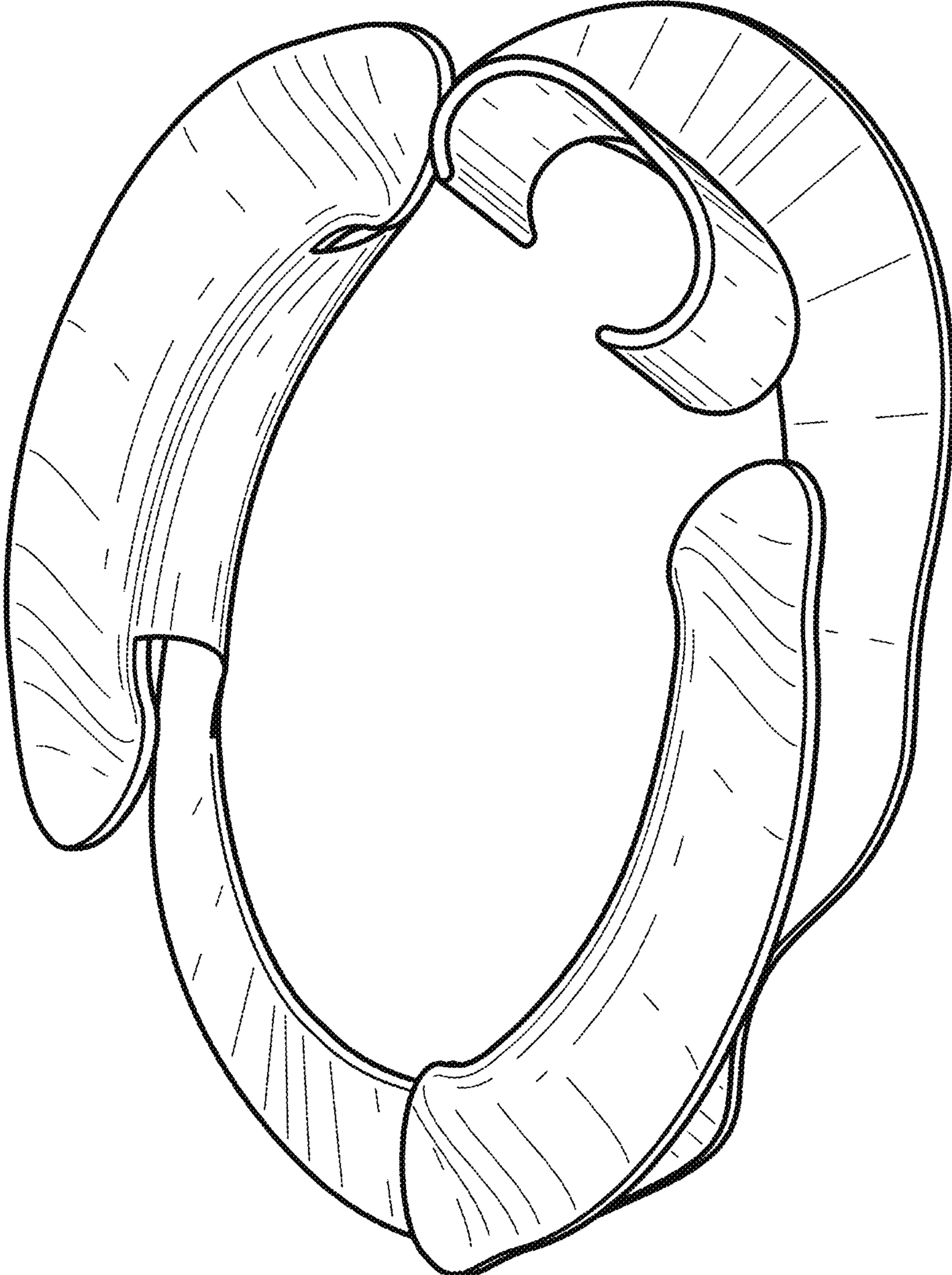


FIG. 1

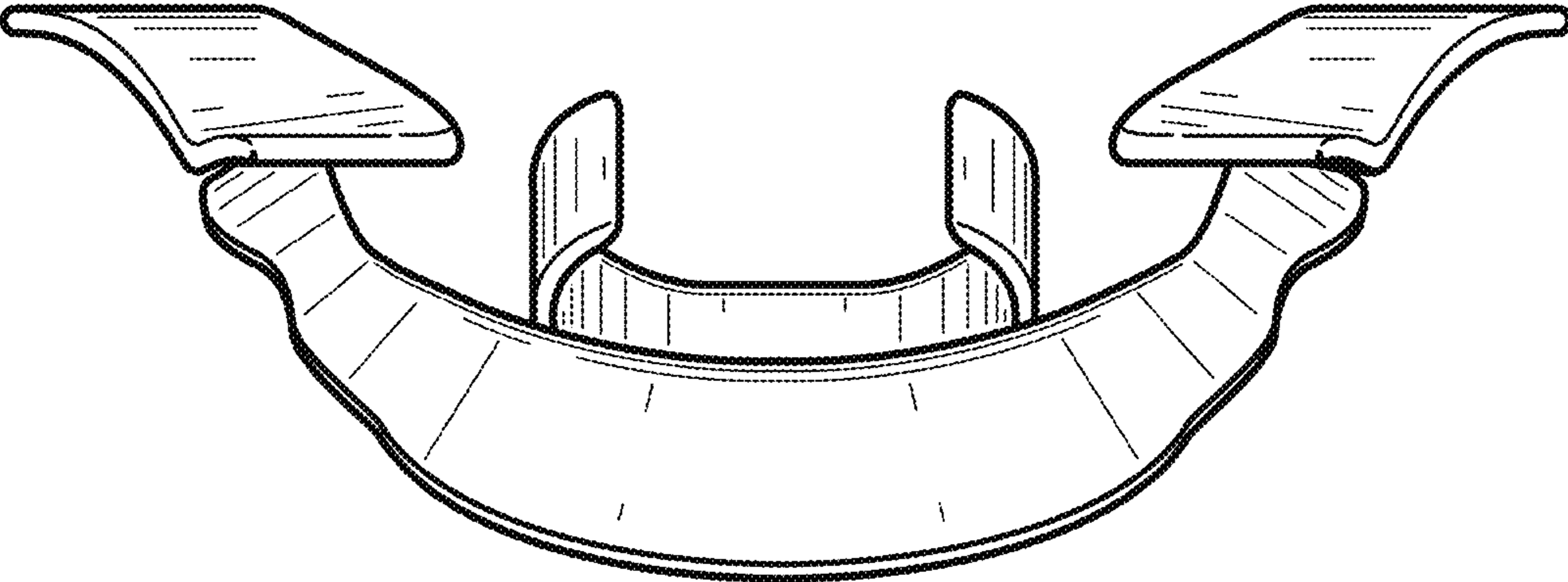


FIG. 2

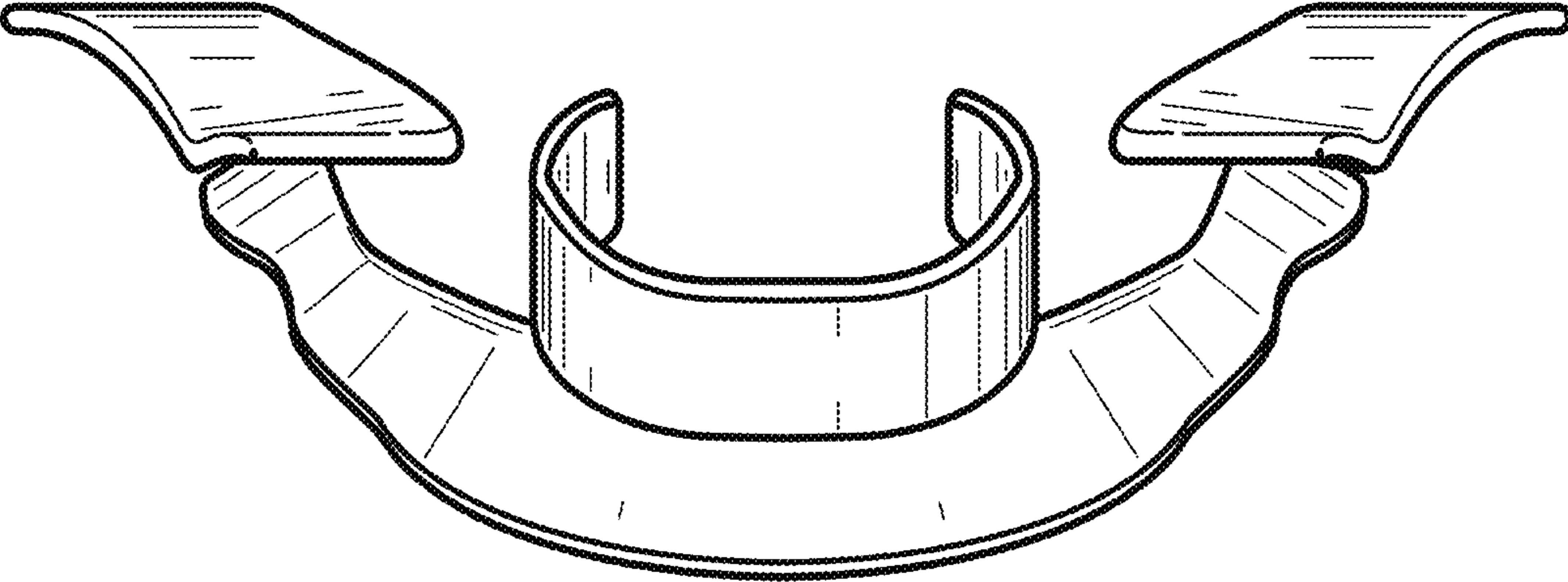


FIG. 3

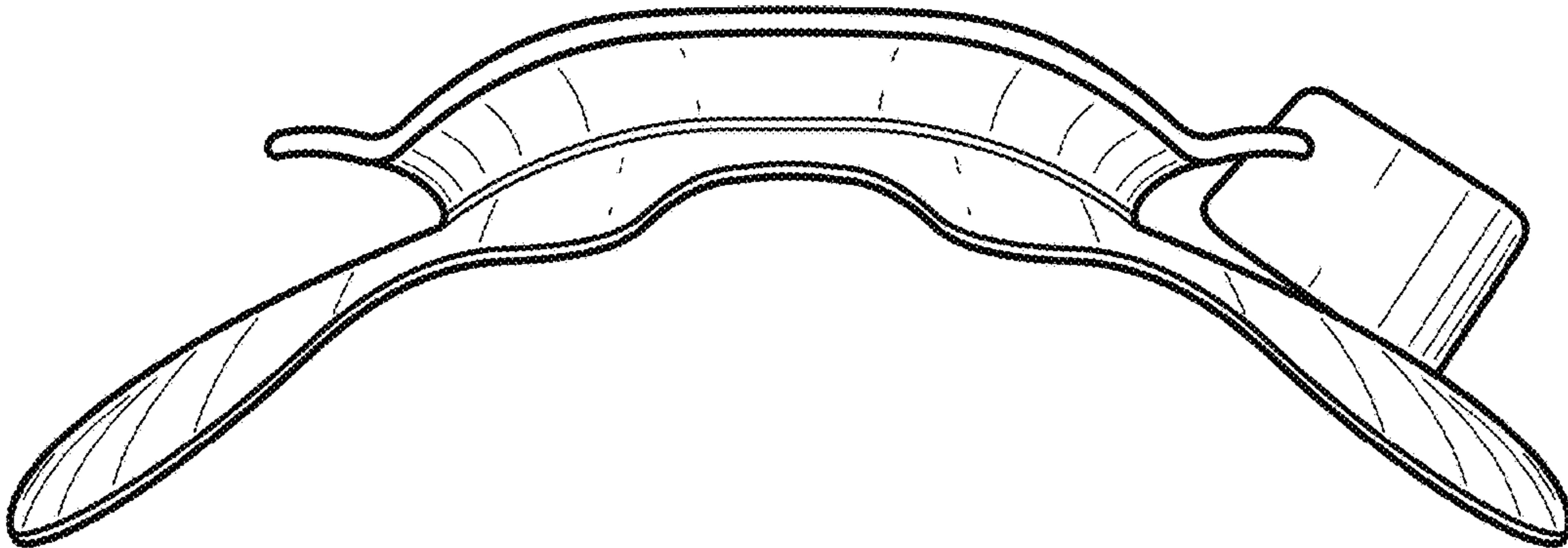


FIG. 4

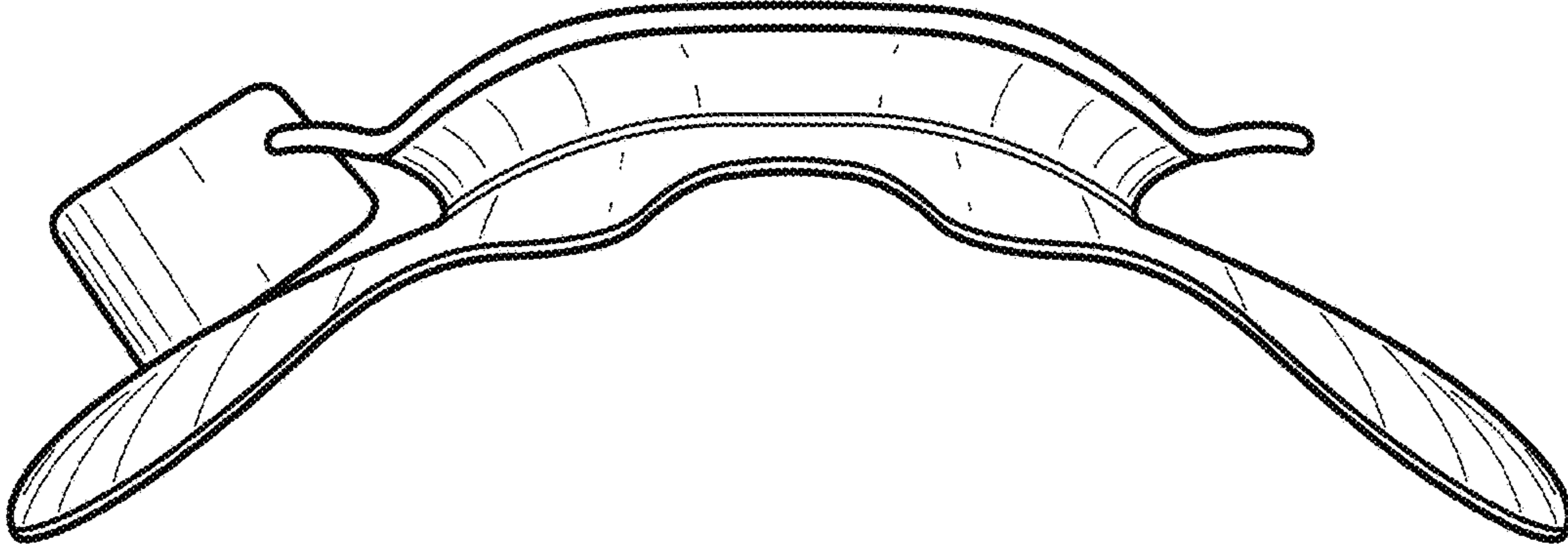


FIG. 5

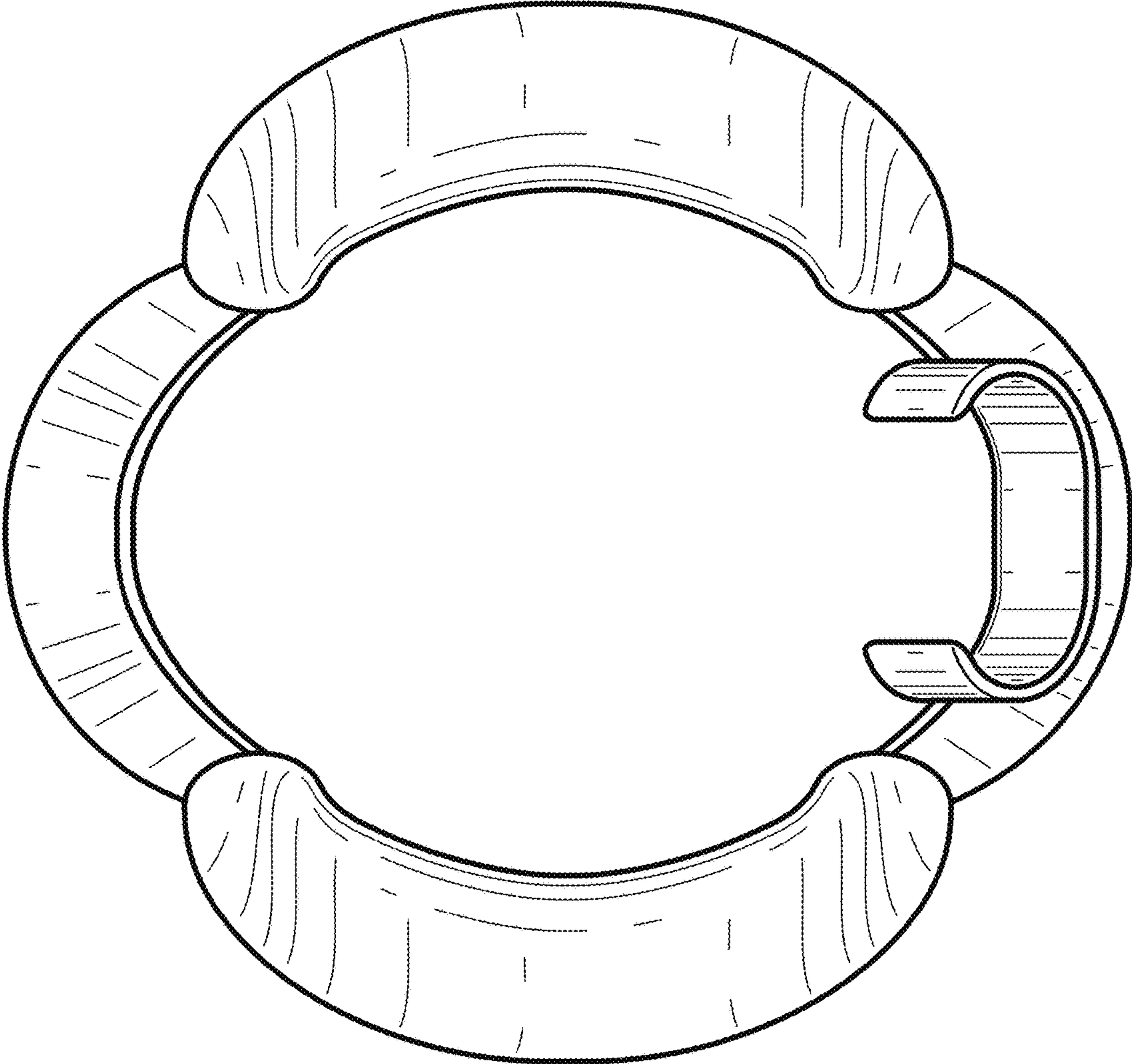


FIG. 6

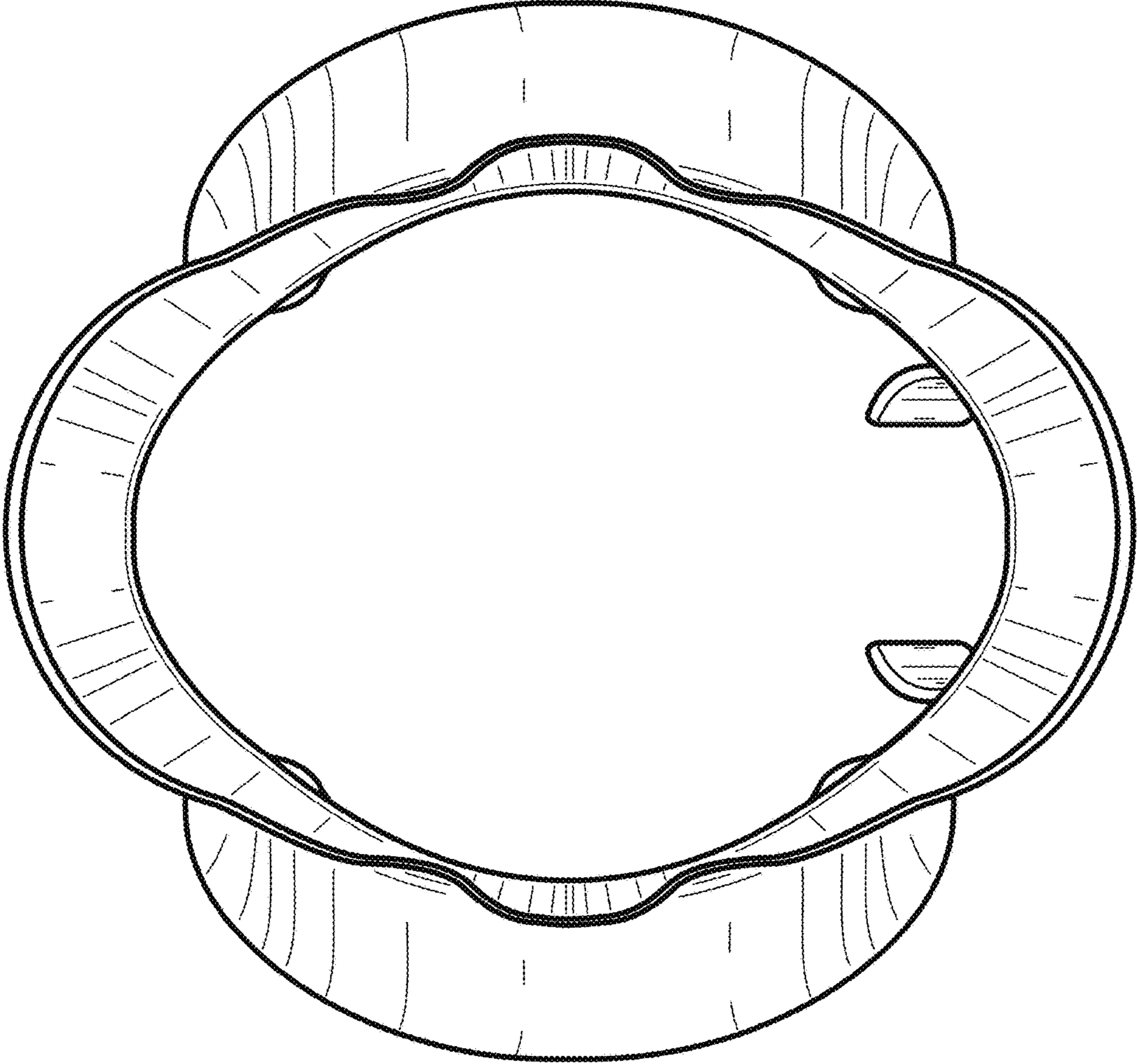


FIG. 7