



US00D805639S

(12) **United States Design Patent** (10) **Patent No.:** **US D805,639 S**
Lee (45) **Date of Patent:** **** Dec. 19, 2017**

(54) **CONTROLLER FOR LIQUID INJECTION APPARATUS**

D759,253 S * 6/2016 Bar-Or D24/186
D762,863 S * 8/2016 Kim D24/186
9,427,561 B2 * 8/2016 Kluge A61M 37/0076

(Continued)

(71) Applicant: **Bomtech Electronics Co., Ltd.**, Seoul (KR)

FOREIGN PATENT DOCUMENTS

(72) Inventor: **Jong-dae Lee**, Seoul (KR)

KR 300852996.0000 * 8/2015
KR 300881122.0000 * 2/2016

(73) Assignee: **BOMTECH ELECTRONICS CO., LTD.**, Seoul (KR)

Primary Examiner — Wan Laymon

(**) Term: **15 Years**

(74) *Attorney, Agent, or Firm* — Ohlandt, Greeley, Ruggiero & Perle, LLP

(21) Appl. No.: **29/550,785**

(57) **CLAIM**

The ornamental design for a controller for liquid injection apparatus, as shown and described.

(22) Filed: **Jan. 7, 2016**

DESCRIPTION

(30) **Foreign Application Priority Data**

Oct. 13, 2015 (KR) 30-2015-0051278

(51) **LOC (10) Cl.** **24-02**

(52) **U.S. Cl.**
USPC **D24/144**

(58) **Field of Classification Search**
USPC D24/144, 146, 133, 186; D14/454, 451; D13/162, 199
CPC A61M 37/0076; A61M 37/0084; F24F 11/00; F24F 11/0086; F24F 2011/0091
See application file for complete search history.

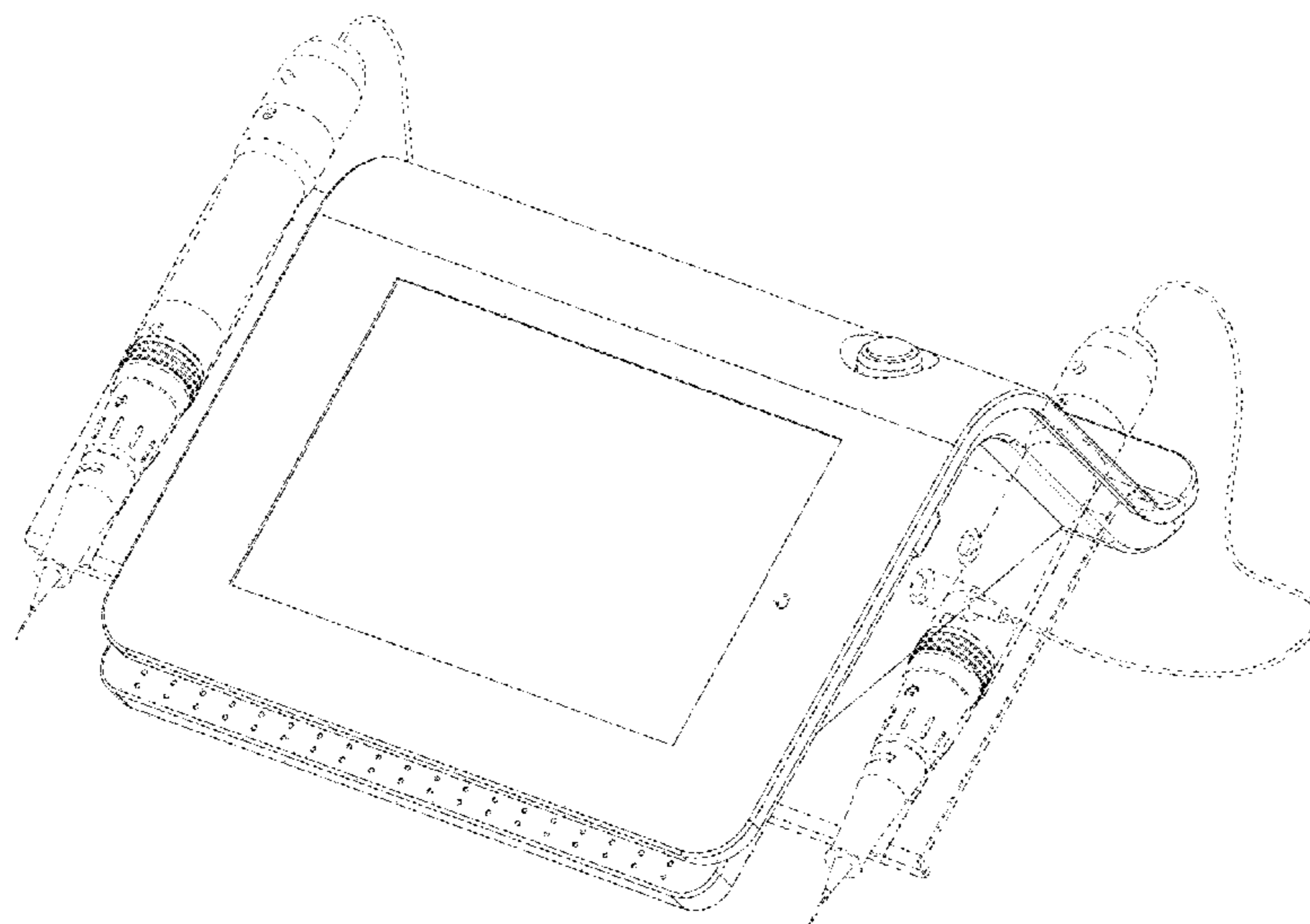
FIG. 1 illustrates a front-right side perspective view of a controller for liquid injection apparatus of the present invention.
FIG. 2 illustrates a front view of the controller for liquid injection apparatus of FIG. 1.
FIG. 3 illustrates a rear view of the controller for liquid injection apparatus of FIG. 1.
FIG. 4 illustrates a left side view of the controller for liquid injection apparatus of FIG. 1.
FIG. 5 illustrates a right side view of the controller for liquid injection apparatus of FIG. 1.
FIG. 6 illustrates a top plane view of the controller for liquid injection apparatus of FIG. 1.
FIG. 7 illustrates a bottom plane view of the controller for liquid injection apparatus of FIG. 1.
FIG. 8 is a front-right side perspective view of the controller for liquid injection apparatus of FIG. 1 with two liquid injection apparatuses illustrated in broken lines; and, FIG. 9 is a front-right side perspective view of the controller for liquid injection apparatus of FIG. 1 with a liquid injection apparatus illustrated in broken lines.
The broken lines illustrate environmental structure or boundaries that form no part of the claimed design.

(56) **References Cited**

U.S. PATENT DOCUMENTS

D346,025 S * 4/1994 Chou D24/144
D359,353 S * 6/1995 Butter D24/144
7,695,486 B2 * 4/2010 Dixon A61M 37/0076
606/186
D663,435 S * 7/2012 Eikhoff D24/186
8,228,666 B2 * 7/2012 Rickard A61M 37/0076
361/679.01
8,663,162 B2 * 3/2014 Bunting A45D 34/04
604/116

1 Claim, 9 Drawing Sheets



(56)

References Cited

U.S. PATENT DOCUMENTS

9,433,767	B2 *	9/2016	Colton	A61M 37/0076
2009/0125050	A1 *	5/2009	Dixon	A61M 37/0076
				606/186
2017/0021154	A1 *	1/2017	Johansson	A61M 37/0076

* cited by examiner

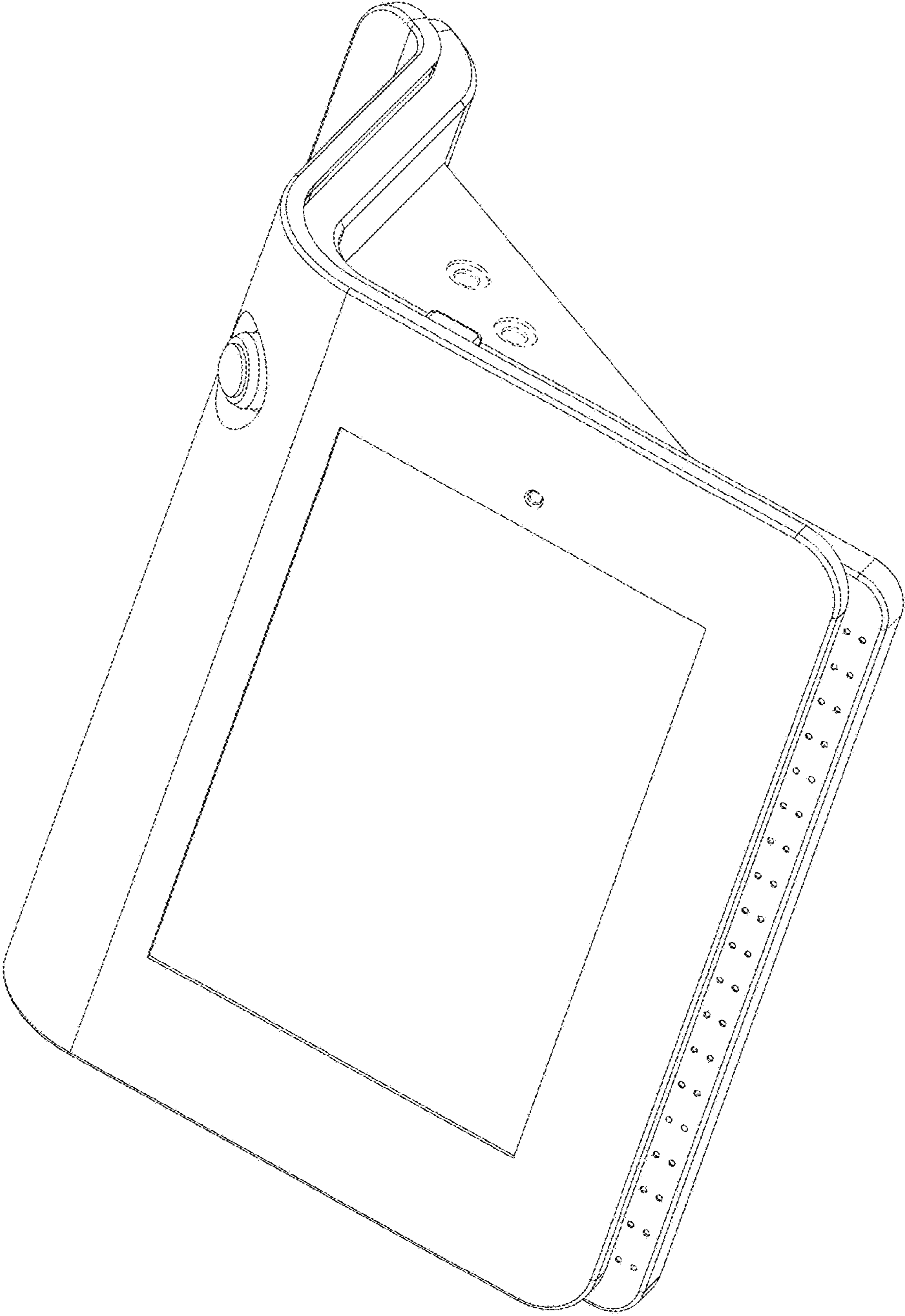


FIG. 1

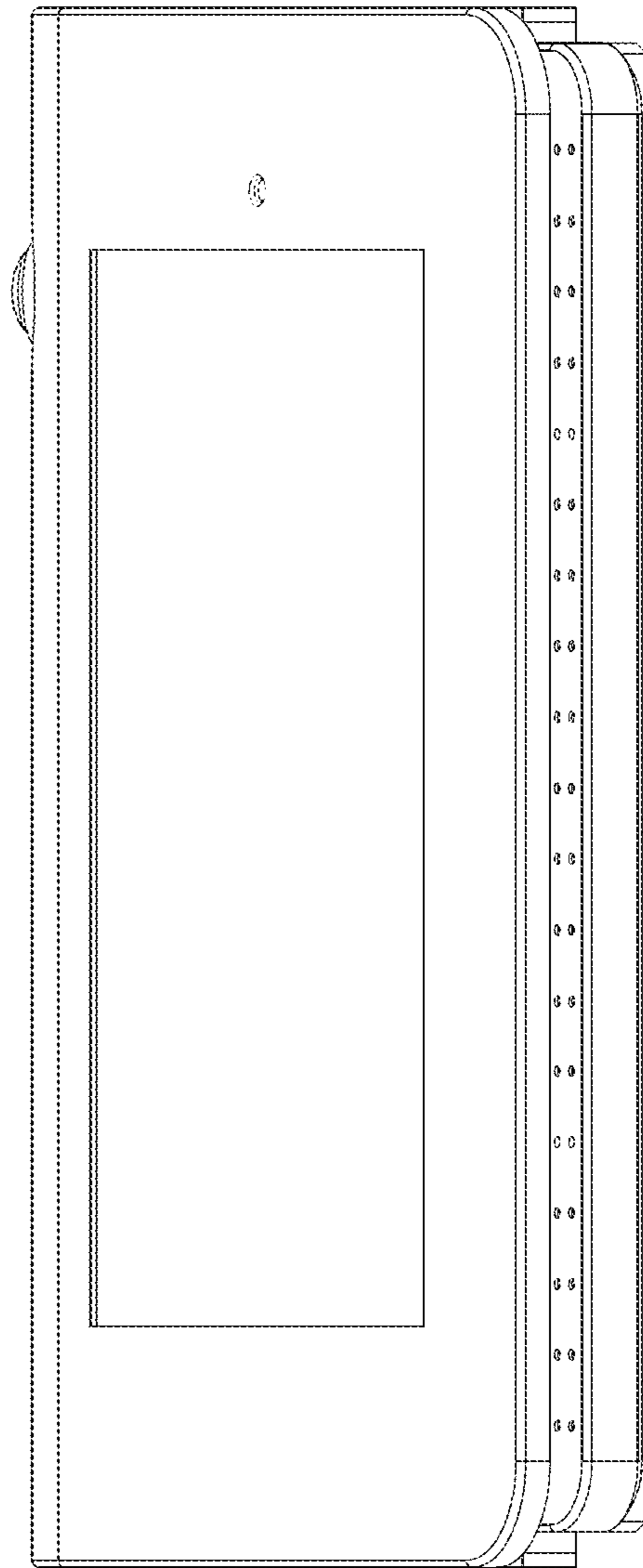


FIG. 2

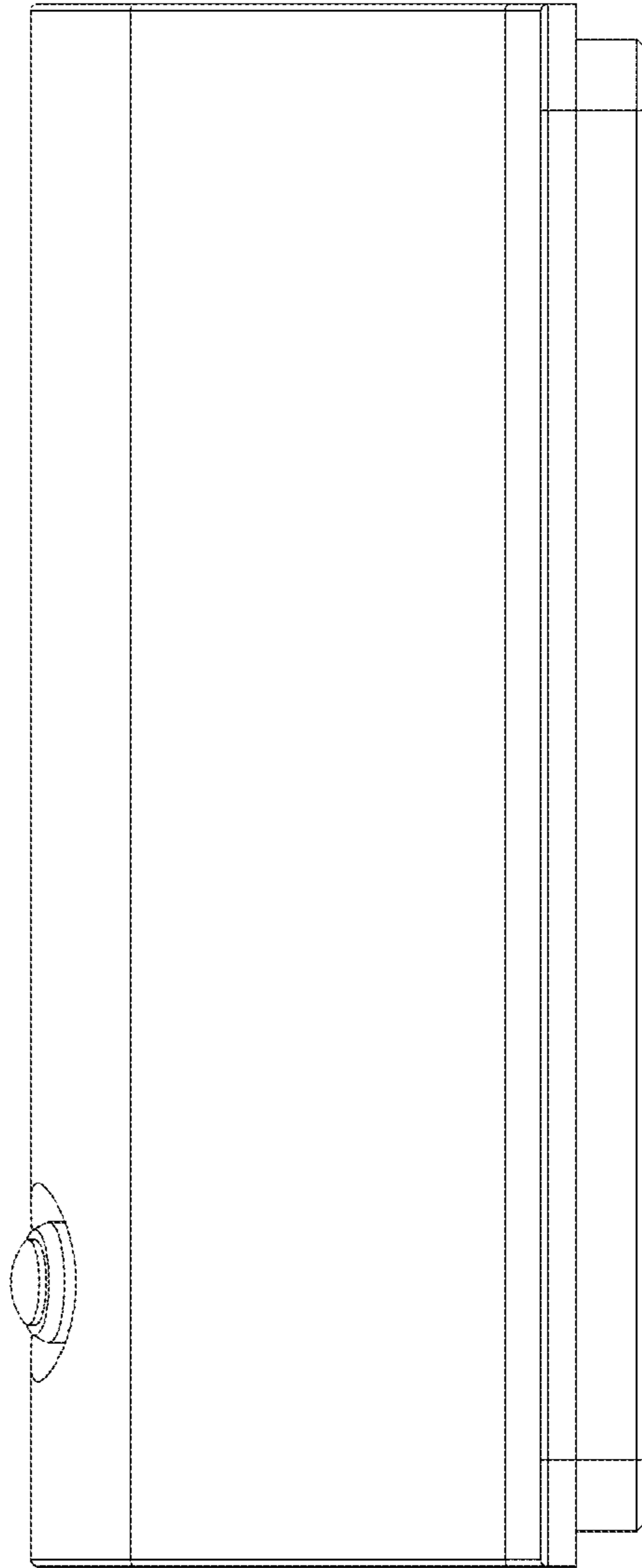


FIG. 3

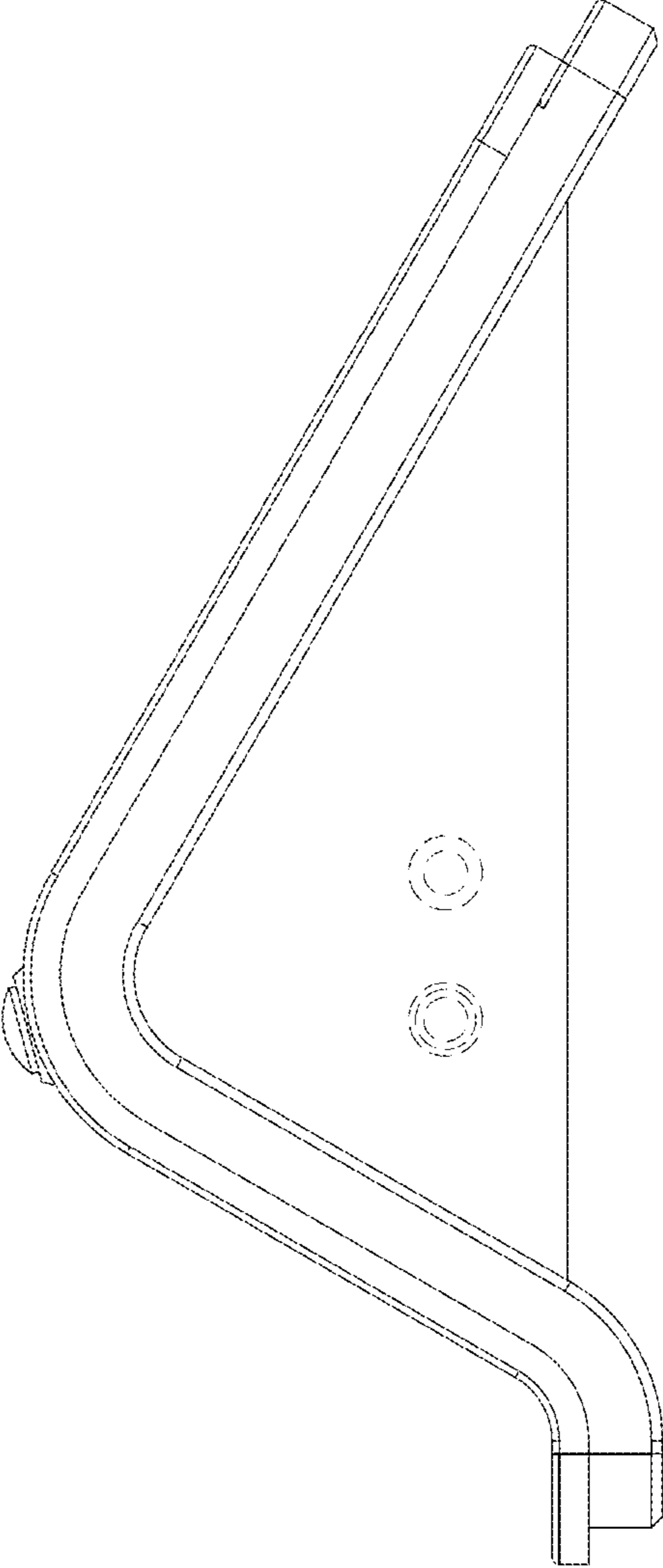


FIG. 4

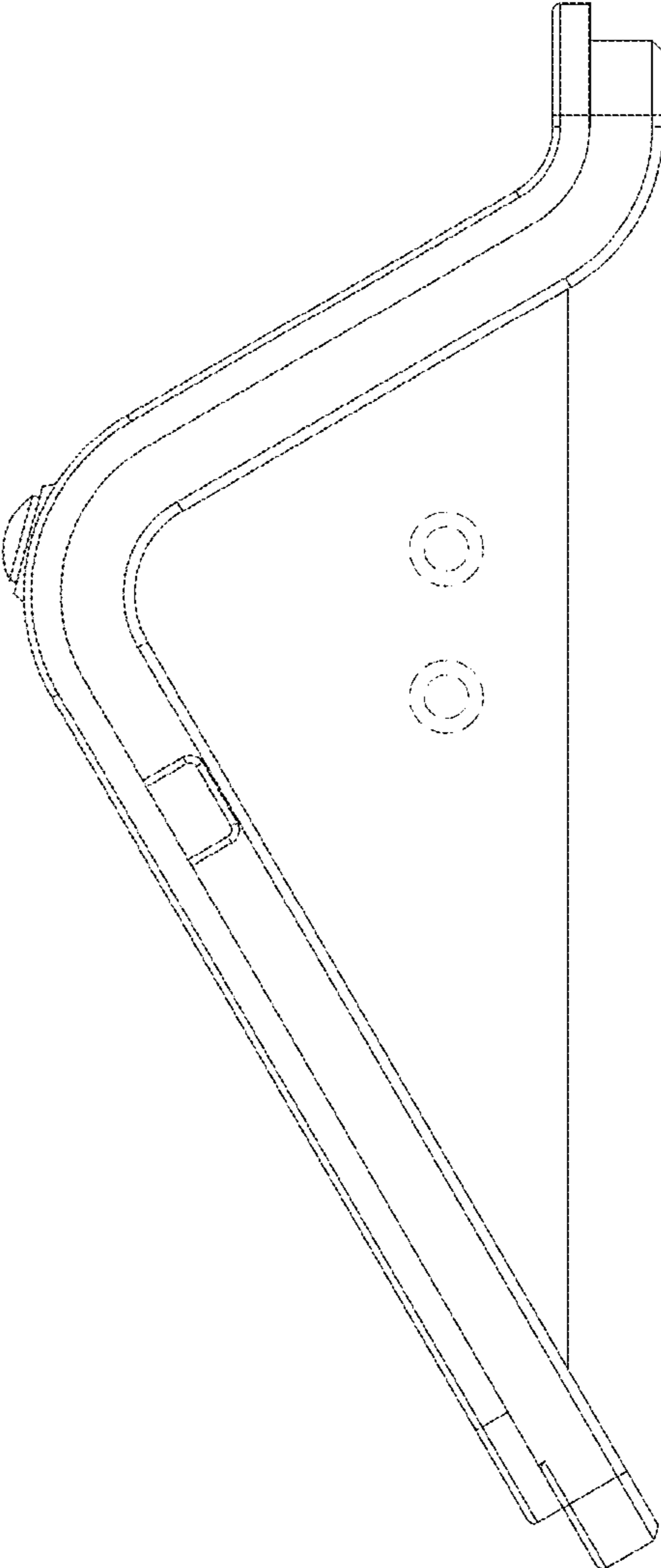


FIG. 5

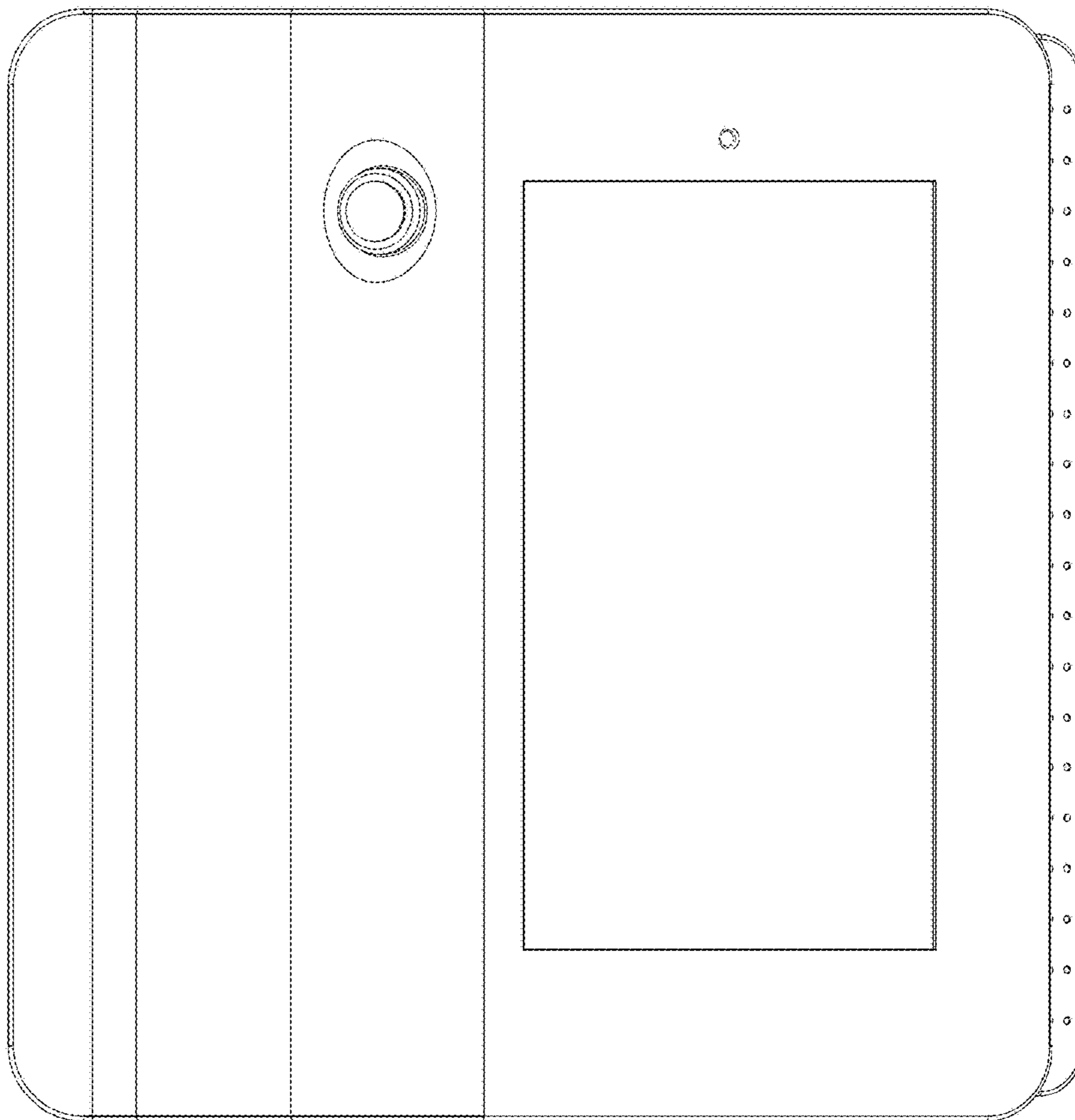


FIG. 6

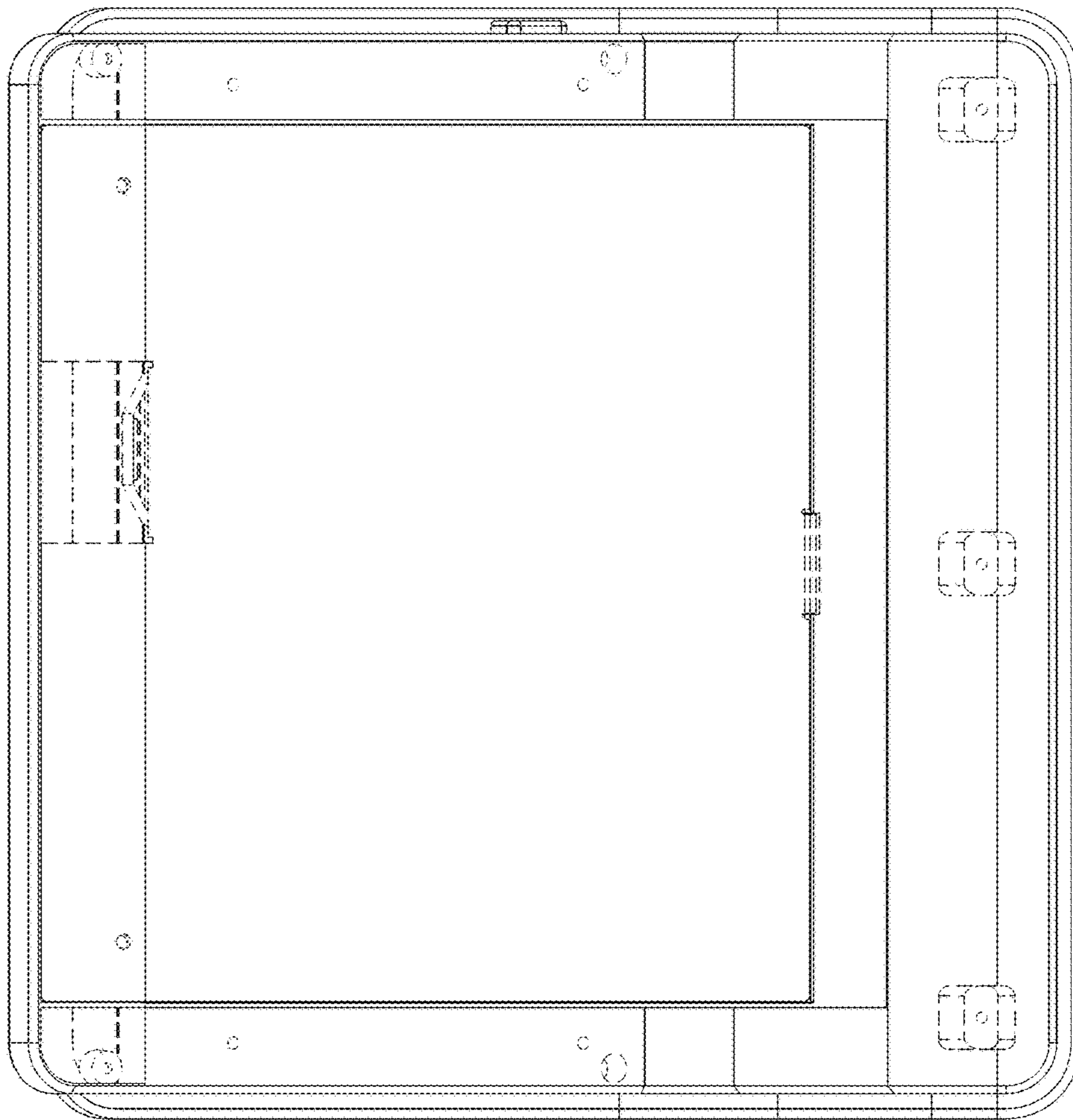


FIG. 7

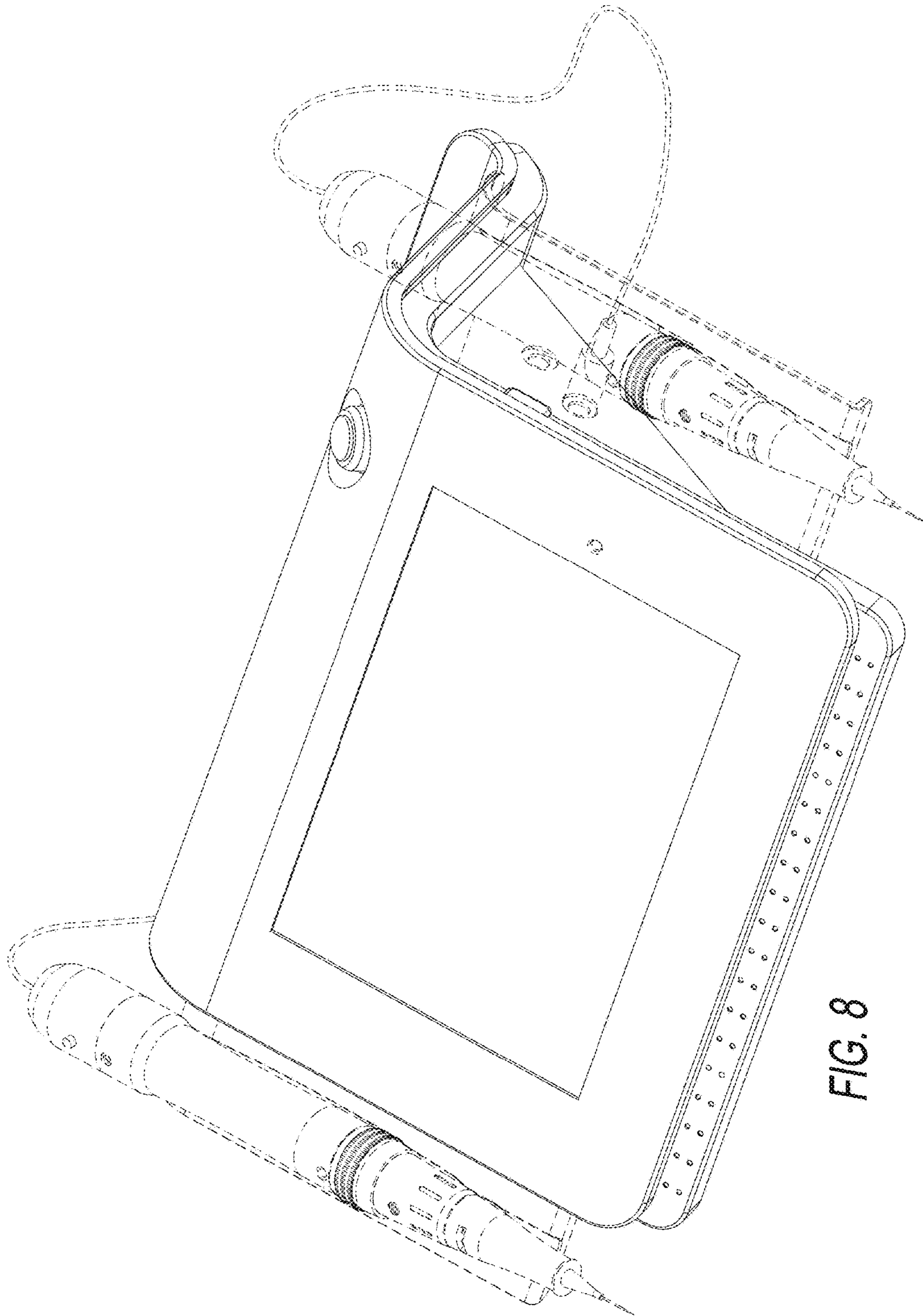


FIG. 8

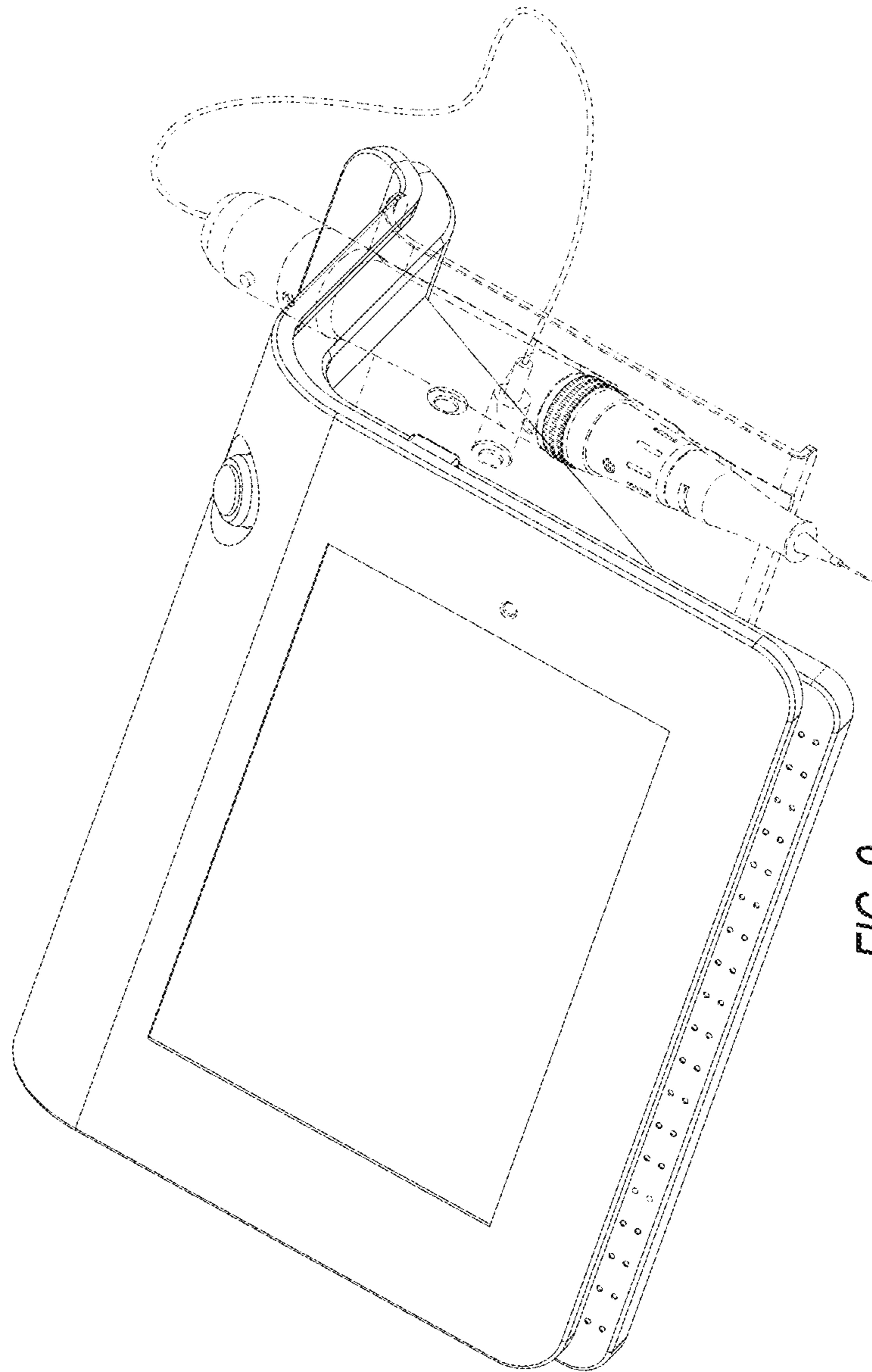


FIG. 9