



US00D805638S

(12) **United States Design Patent** (10) **Patent No.:** **US D805,638 S**
Pappalardo (45) **Date of Patent:** **** Dec. 19, 2017**

(54) **ADAPTER COLLAR FOR A SYRINGE**

(71) Applicant: **NORDSON CORPORATION**,
Westlake, OH (US)

(72) Inventor: **Matthew E. Pappalardo**, Ewing, NJ
(US)

(73) Assignee: **Nordson Corporation**, Westlake, OH
(US)

(**) Term: **15 Years**

(21) Appl. No.: **29/605,259**

(22) Filed: **May 24, 2017**

Related U.S. Application Data

(62) Division of application No. 29/551,048, filed on Jan. 9, 2016, now Pat. No. Des. 790,692, which is a division of application No. 29/471,389, filed on Oct. 31, 2013, now Pat. No. Des. 750,239.

(51) **LOC (10) Cl.** **24-01**

(52) **U.S. Cl.**
USPC **D24/130**

(58) **Field of Classification Search**
USPC D24/127-131, 112-114, 133, 186;
606/181, 185; 604/264, 272, 115, 232,
604/187, 158, 164.08, 192, 263, 163, 181,
604/184, 198, 227; 600/101, 139, 143;
128/200.24, 207.14, 207.15
CPC F16L 17/08; B25B 13/463; B60R 22/24;
F42B 6/08
See application file for complete search history.

(56) **References Cited**

U.S. PATENT DOCUMENTS

D293,130 S * 12/1987 Ashie D24/128
D397,790 S * 9/1998 Naganuma D24/127

D438,467 S * 3/2001 Durand D9/434
D620,591 S * 7/2010 Young D24/130
D637,713 S * 5/2011 Nord D24/129
D659,825 S * 5/2012 Dillard, III D24/130
D674,088 S * 1/2013 Lev D24/129
D688,952 S * 9/2013 Pappalardo B05C 17/00506
D9/724
D750,239 S * 2/2016 Pappalardo D24/130
D750,775 S * 3/2016 Carrel D24/130
D757,935 S * 5/2016 Solingen D24/133
D765,838 S * 9/2016 McGarry D24/130
2007/0083164 A1 * 4/2007 Barrelle A61J 7/0053
604/187

* cited by examiner

Primary Examiner — David G Muller

Assistant Examiner — Nathan M Johnston

(74) *Attorney, Agent, or Firm* — Baker & Hostetler LLP

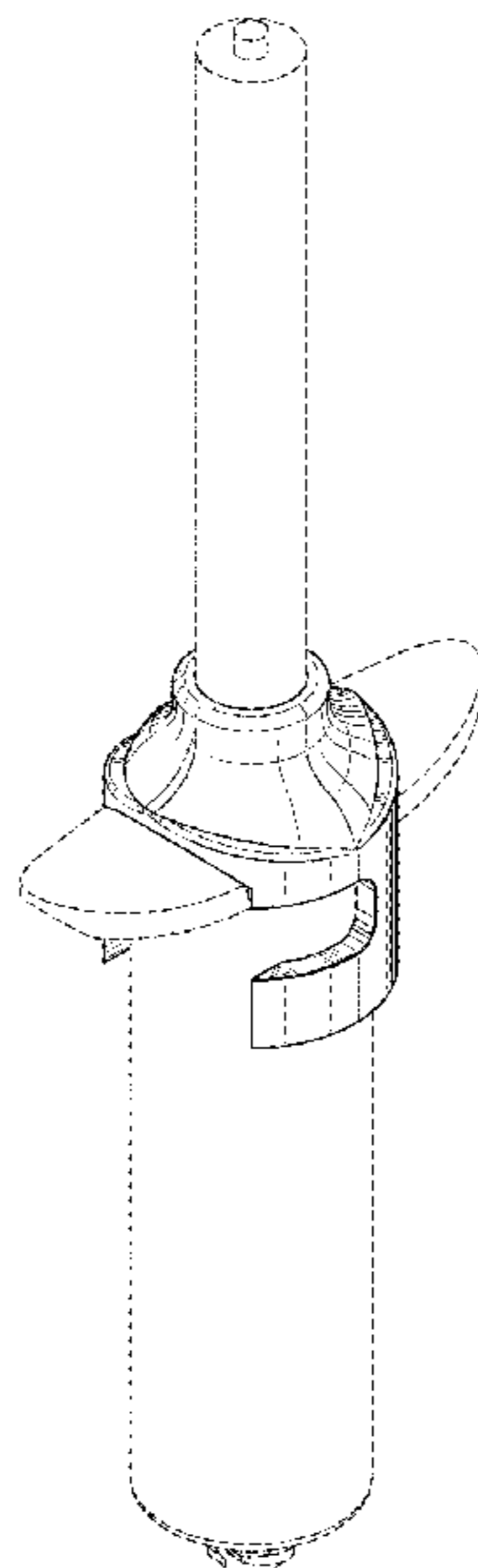
(57) **CLAIM**

The ornamental design for an adapter collar for a syringe, as shown and described.

DESCRIPTION

FIG. 1 is a perspective view of the adapter collar.
FIG. 2 is an enlarged perspective view of the adapter collar shown in FIG. 1 without the broken lines.
FIG. 3 is a front elevation view thereof, the rear elevation view being identical thereto.
FIG. 4 is a right side elevation view thereof, the left side elevation view being identical thereto.
FIG. 5 is a top plan view thereof.
FIG. 6 is a bottom plan view thereof; and,
FIG. 7 is a cross-sectional view thereof taken along line 7-7 of FIG. 5.
The broken lines showing parts of the adapter collar for a syringe are included for the purpose of illustrating use and environment and form no part of the claimed design.

1 Claim, 2 Drawing Sheets



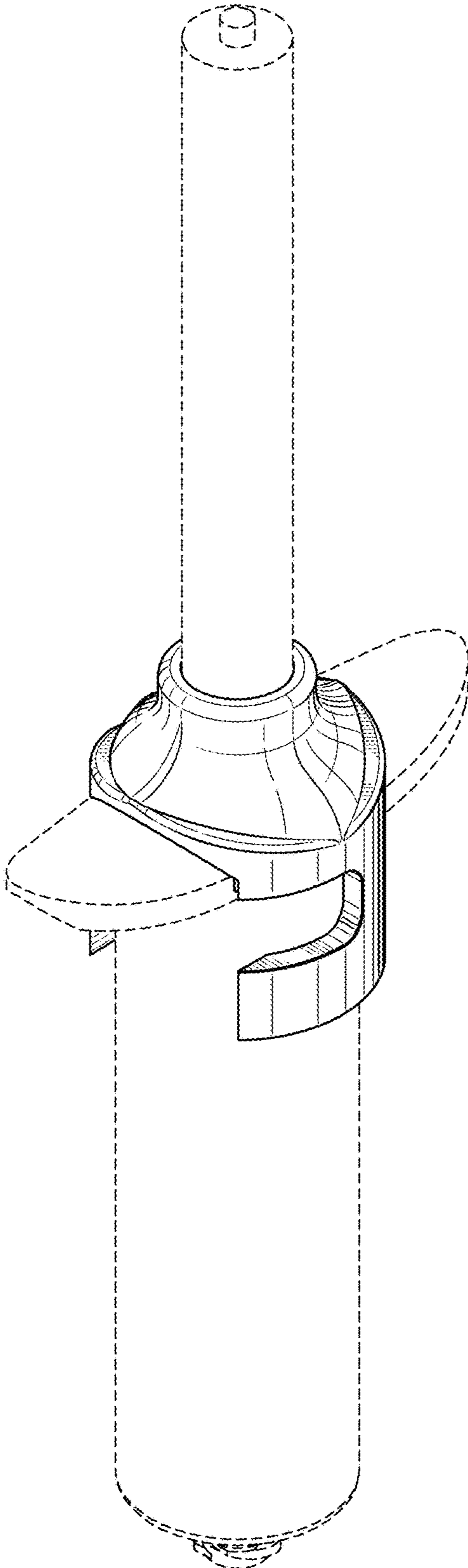


FIG. 1

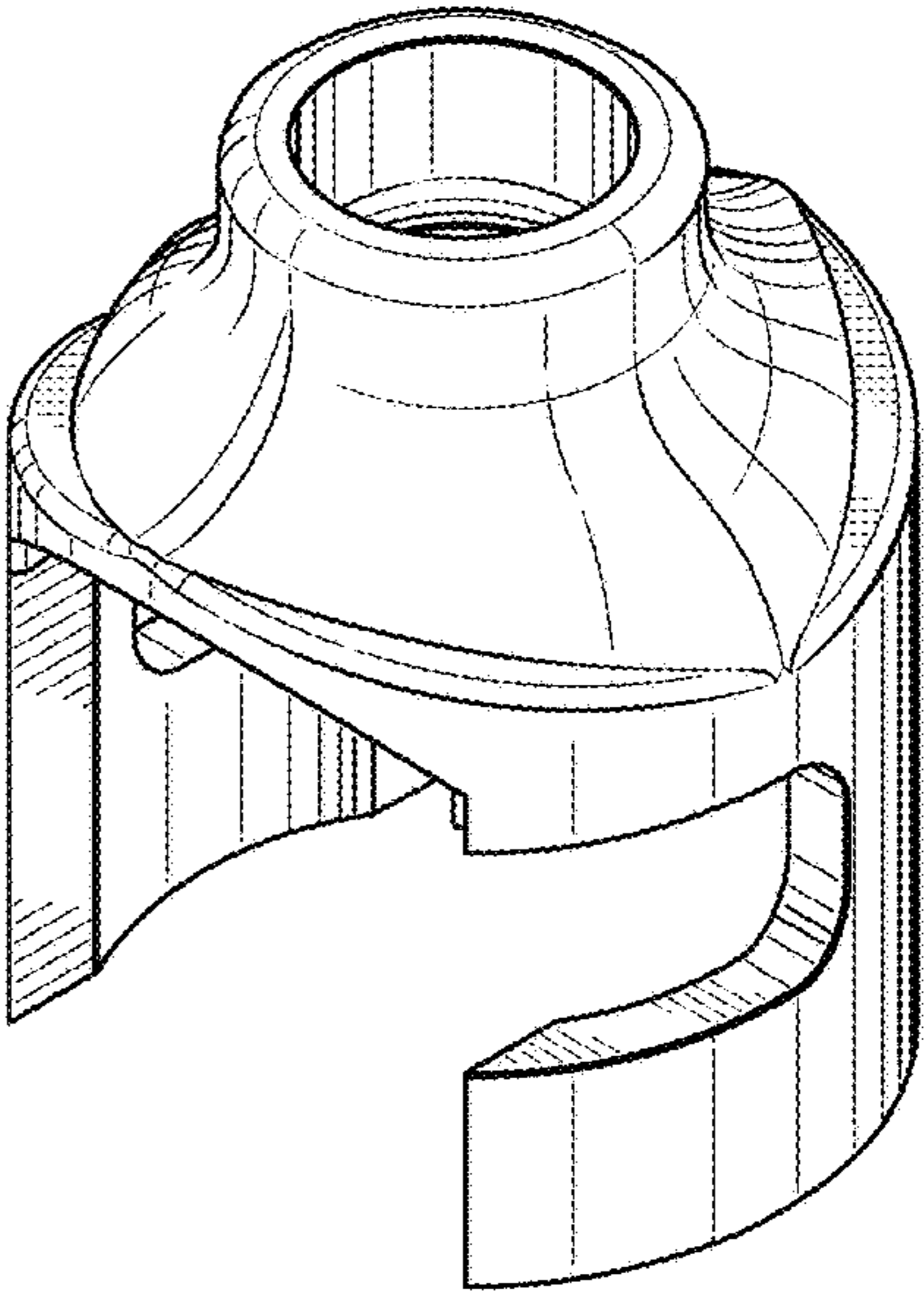


FIG. 2

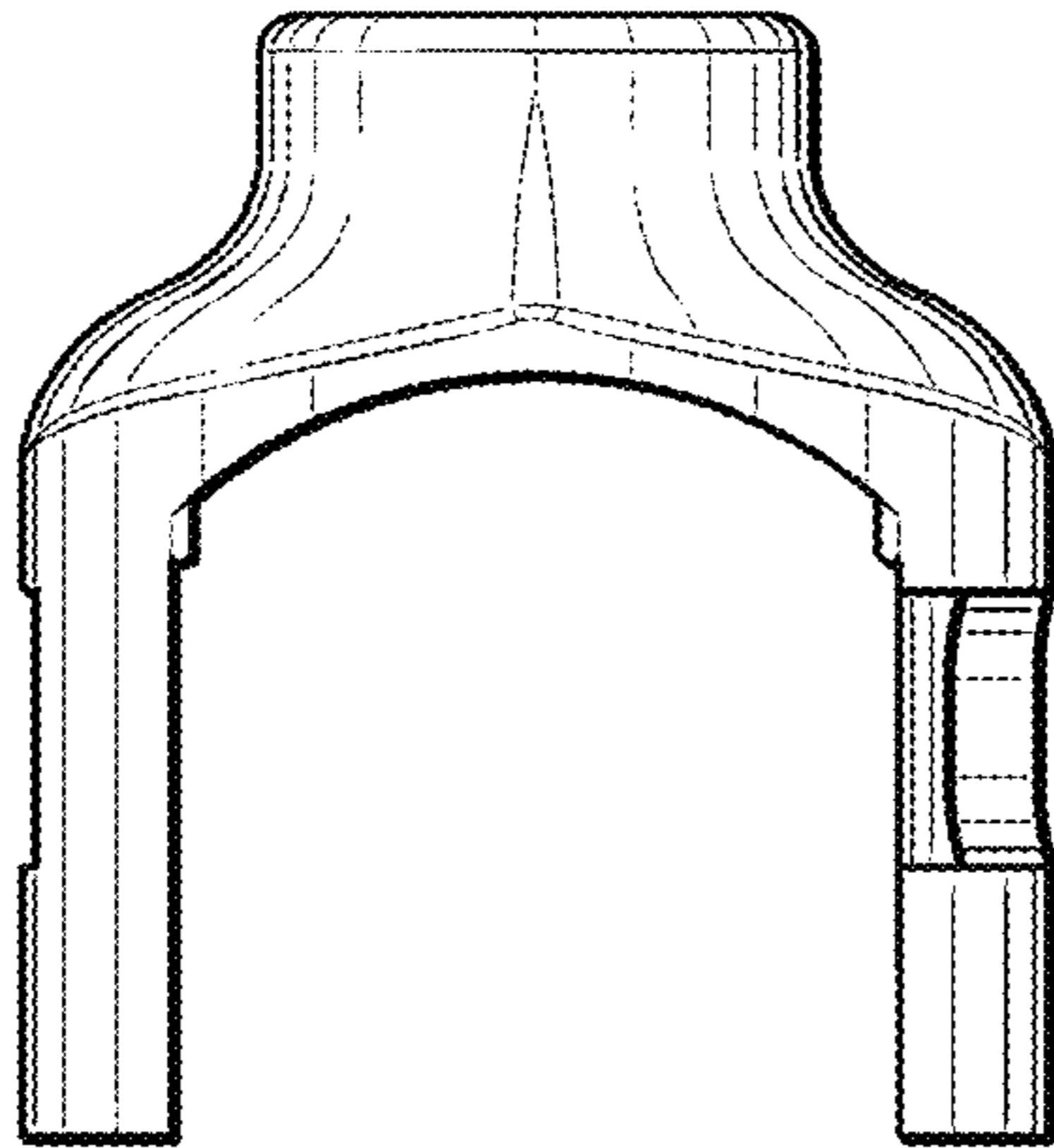


FIG. 3

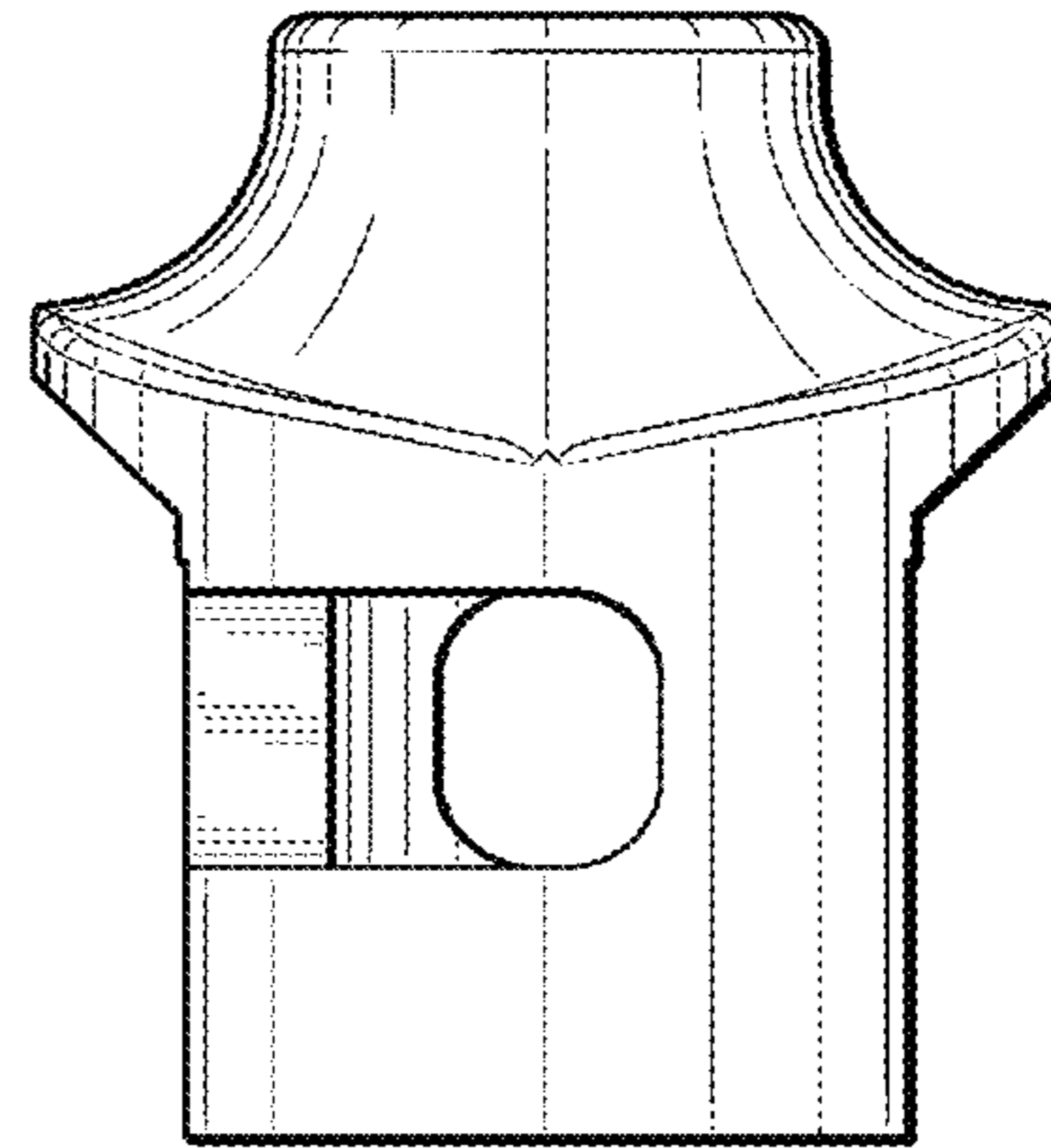


FIG. 4

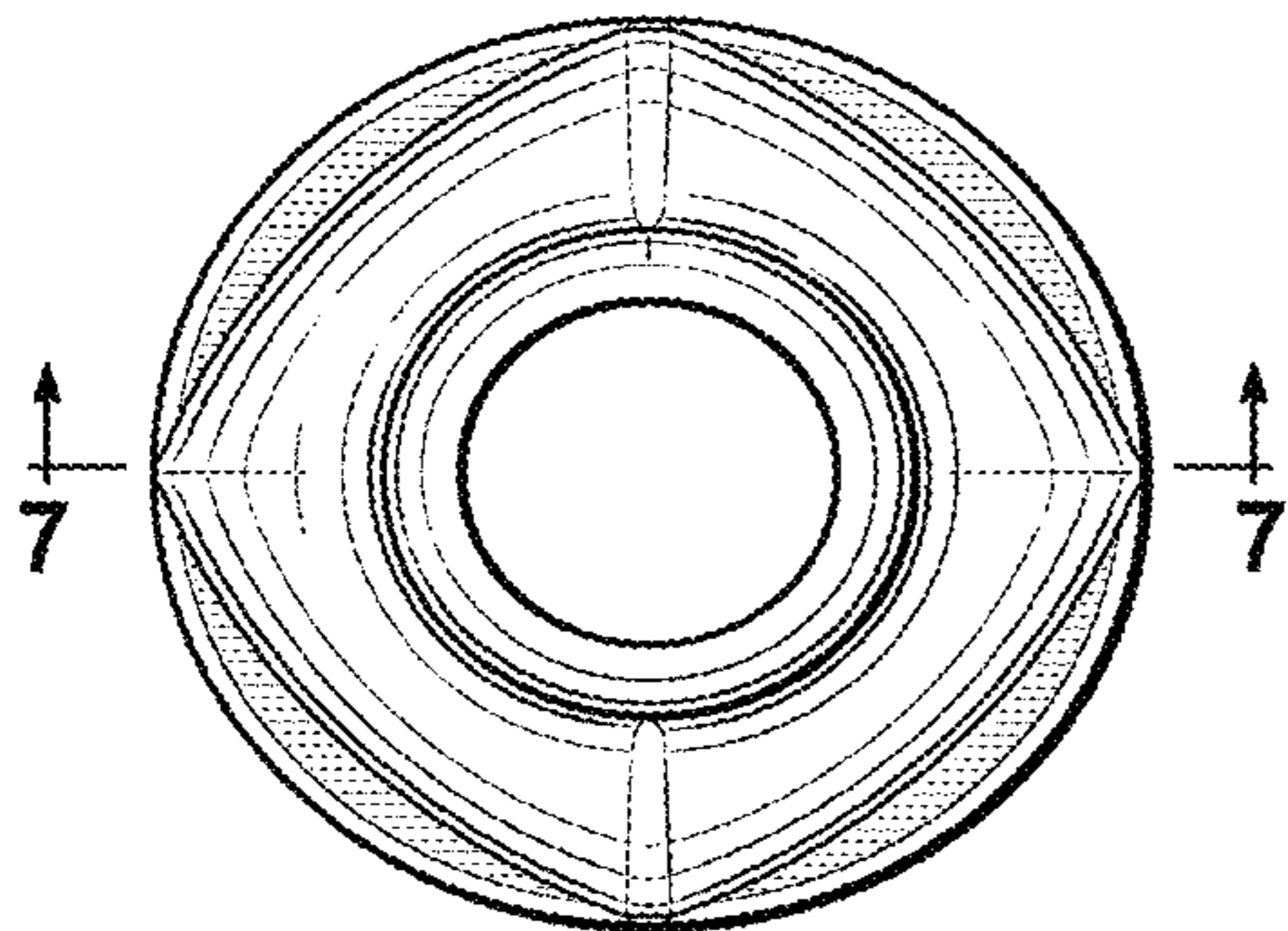


FIG. 5

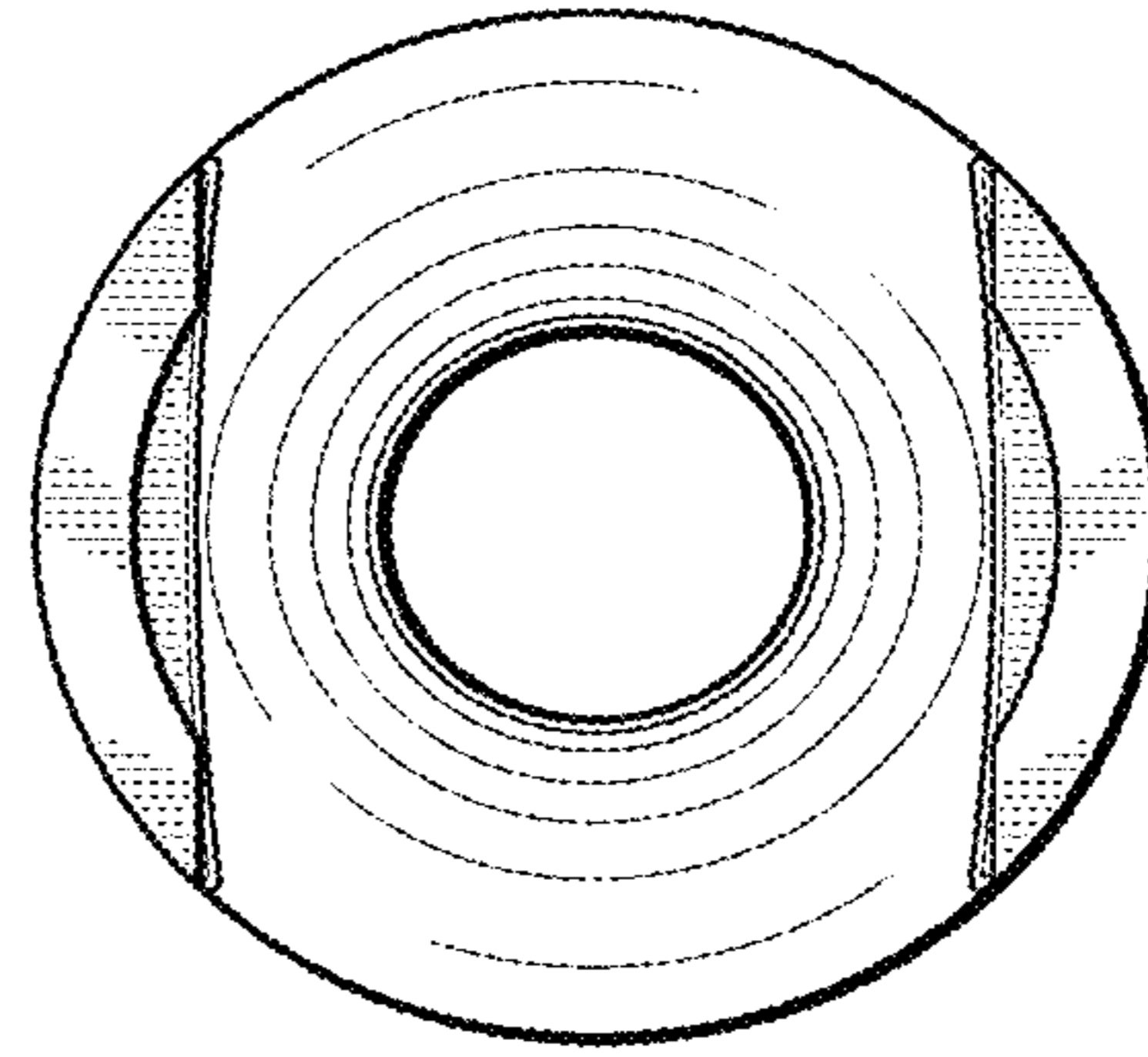


FIG. 6

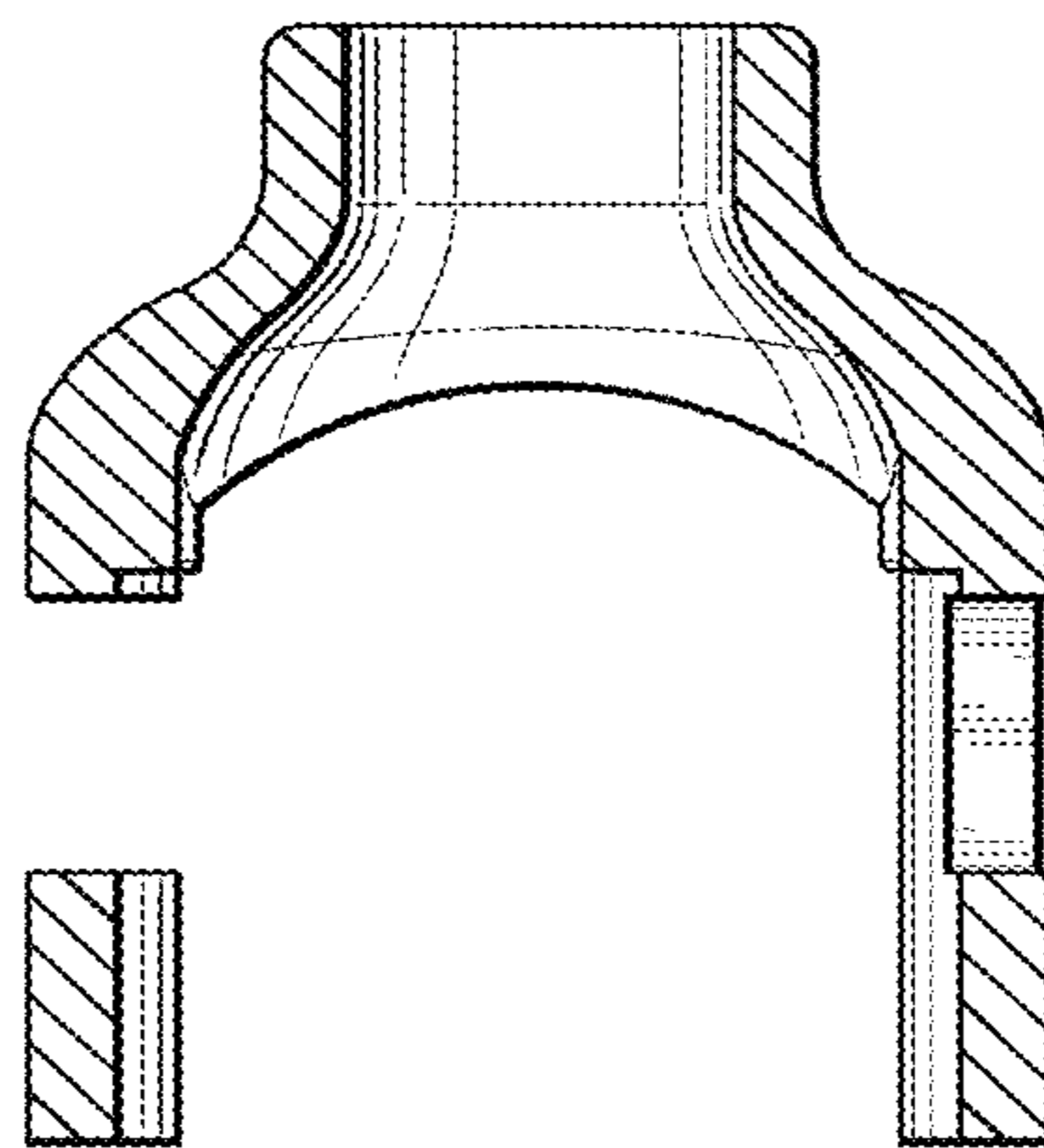


FIG. 7