



US00D805637S

(12) **United States Design Patent** (10) **Patent No.:** **US D805,637 S**
Bureau (45) **Date of Patent:** **** Dec. 19, 2017**

(54) **MEDICINE INJECTOR**
(71) Applicant: **NUOVA OMPI S.r.l.**, Piombino Dese (Padua) (IT)
(72) Inventor: **Christophe Bureau**, Grenoble (FR)
(73) Assignee: **NUOVA OMPI S.R.L.**, Piombino Dese (Padua) (IT)
(**) Term: **15 Years**

D579,541 S * 10/2008 Mogensen D24/108
7,931,643 B2 * 4/2011 Olsen A61M 5/14276
600/40
D655,000 S * 2/2012 Mirigian D24/130
D662,122 S * 6/2012 Goodwin D16/208
D732,162 S * 6/2015 Fourt D24/114
D732,175 S * 6/2015 Snyder D10/104.2
D755,374 S * 5/2016 Oberlaender D24/133
D771,247 S * 11/2016 Shinohara D24/130
9,545,486 B2 * 1/2017 Suzuki A61M 5/28
D778,434 S * 2/2017 Arami D24/112
D784,525 S * 4/2017 Nguyen D24/127

* cited by examiner

(21) Appl. No.: **29/571,748**
(22) Filed: **Jul. 21, 2016**

Primary Examiner — David G Muller
(74) *Attorney, Agent, or Firm* — Troutman Sanders LLP

(30) **Foreign Application Priority Data**

Jan. 21, 2016 (EM) 002953687-0006

(51) **LOC (10) Cl.** **24-02**
(52) **U.S. Cl.**
USPC **D24/130**

(58) **Field of Classification Search**
USPC D24/112–114, 108, 133, 130, 127, 186;
606/181, 185; 604/264, 272, 187, 181,
604/184, 227
CPC A61M 5/178; A61M 3/00; A61M 5/20;
A61M 5/31; A61M 5/3146; A61M
5/3129; A61M 5/3148; A61M 5/315
See application file for complete search history.

(56) **References Cited**

U.S. PATENT DOCUMENTS

D361,380 S * 8/1995 Linner D24/112
D364,461 S * 11/1995 Liebert D24/130

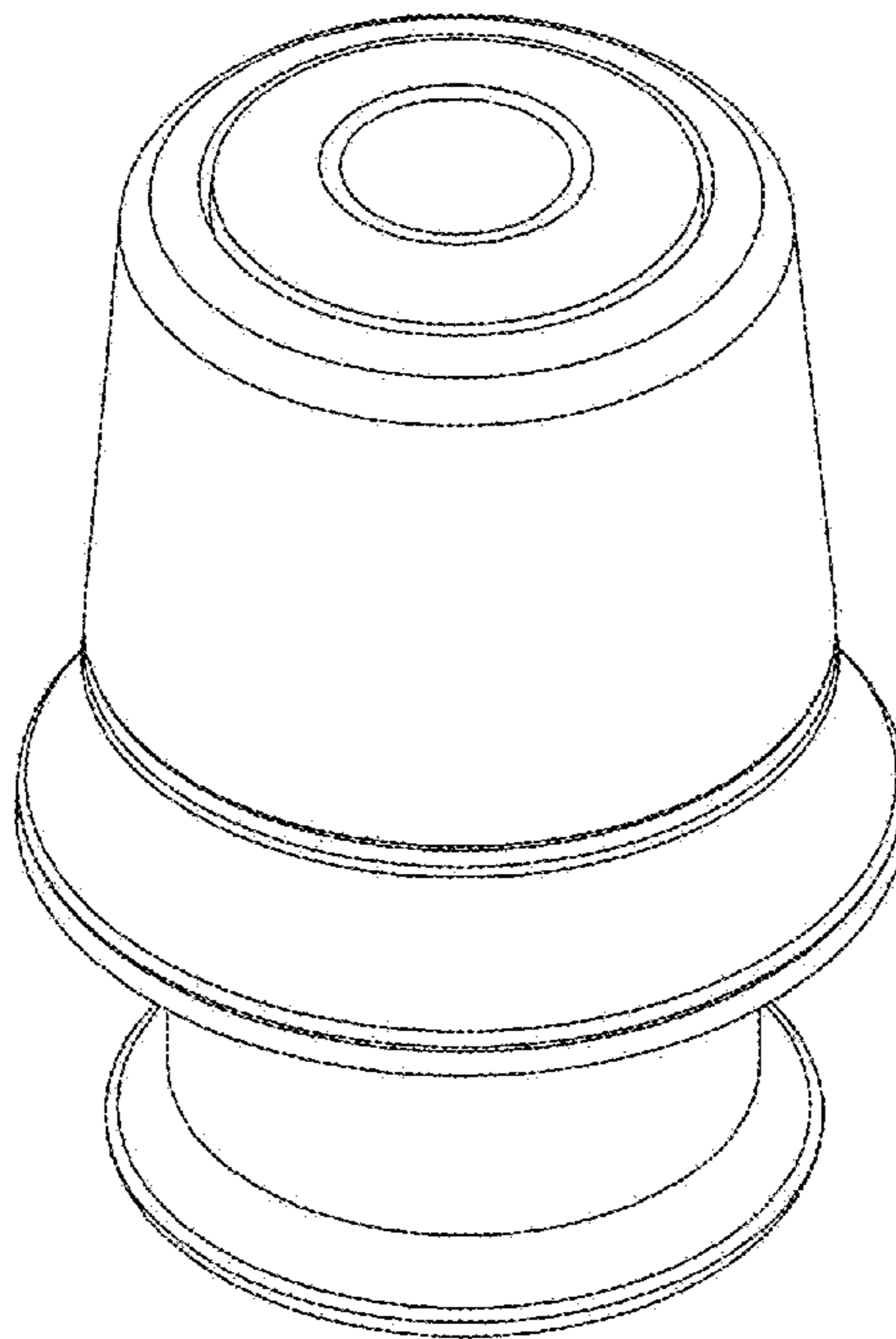
(57) **CLAIM**

The ornamental design for a medicine injector, as shown and described.

DESCRIPTION

FIG. 1 is a perspective front view of a medicine injector; FIG. 2 is a front elevation view thereof; FIG. 3 is a rear elevation view thereof; FIG. 4 is a top plan view thereof; and, FIG. 5 is a bottom plan view thereof. The broken line showing the environment in the drawings is for illustrative purposes only and forms no part of the claimed design.

1 Claim, 5 Drawing Sheets



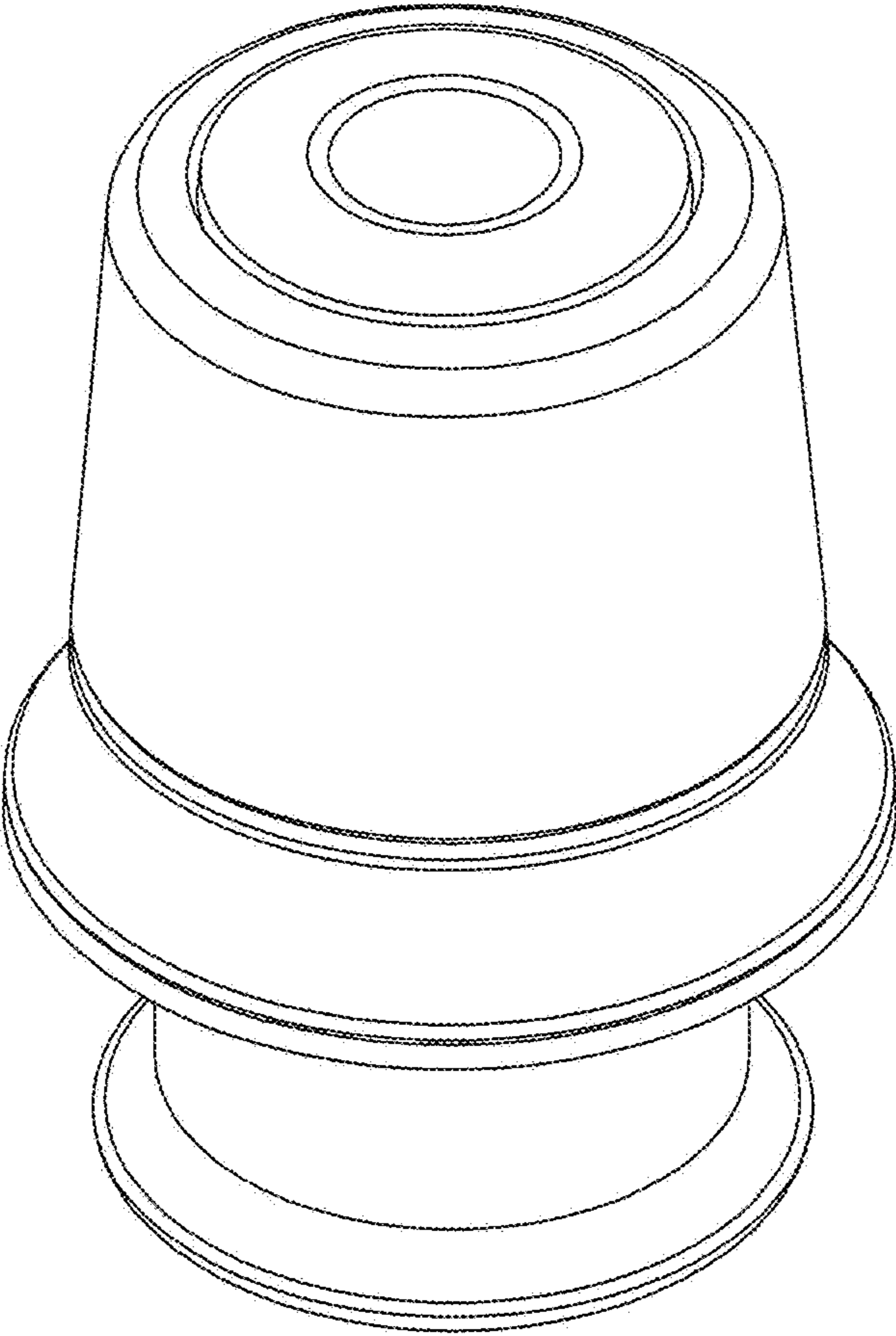


FIG. 1

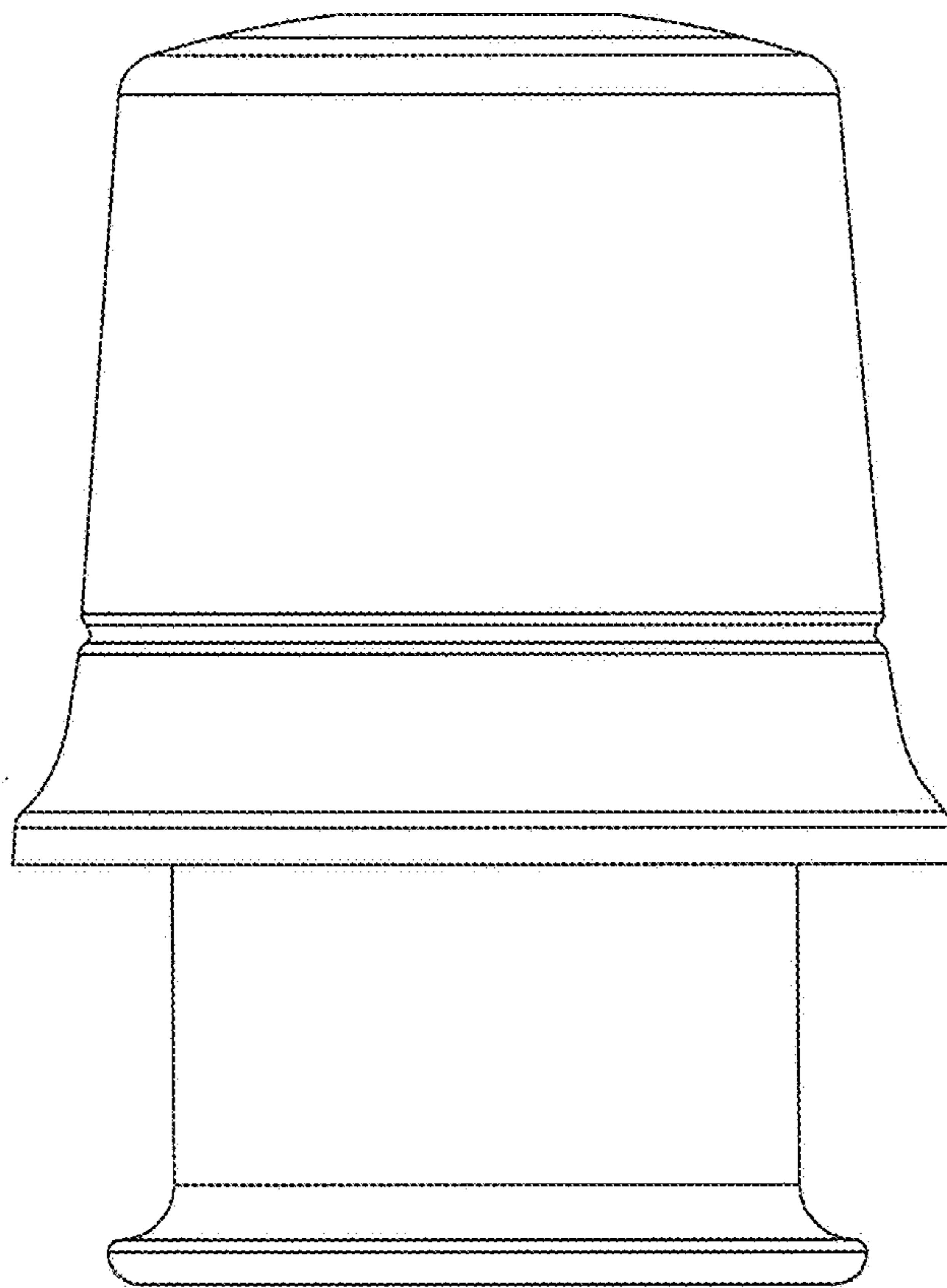


FIG. 2

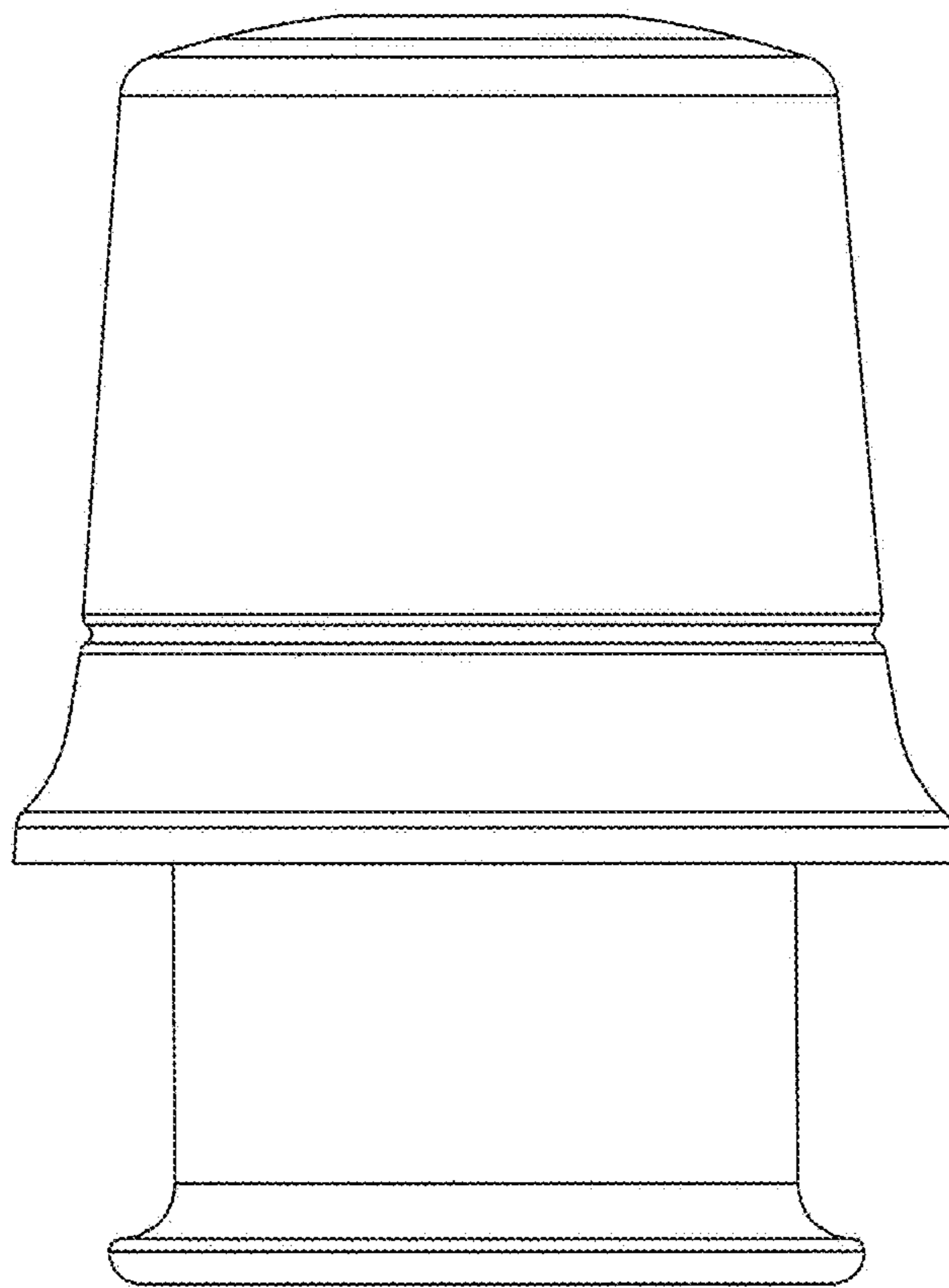


FIG. 3

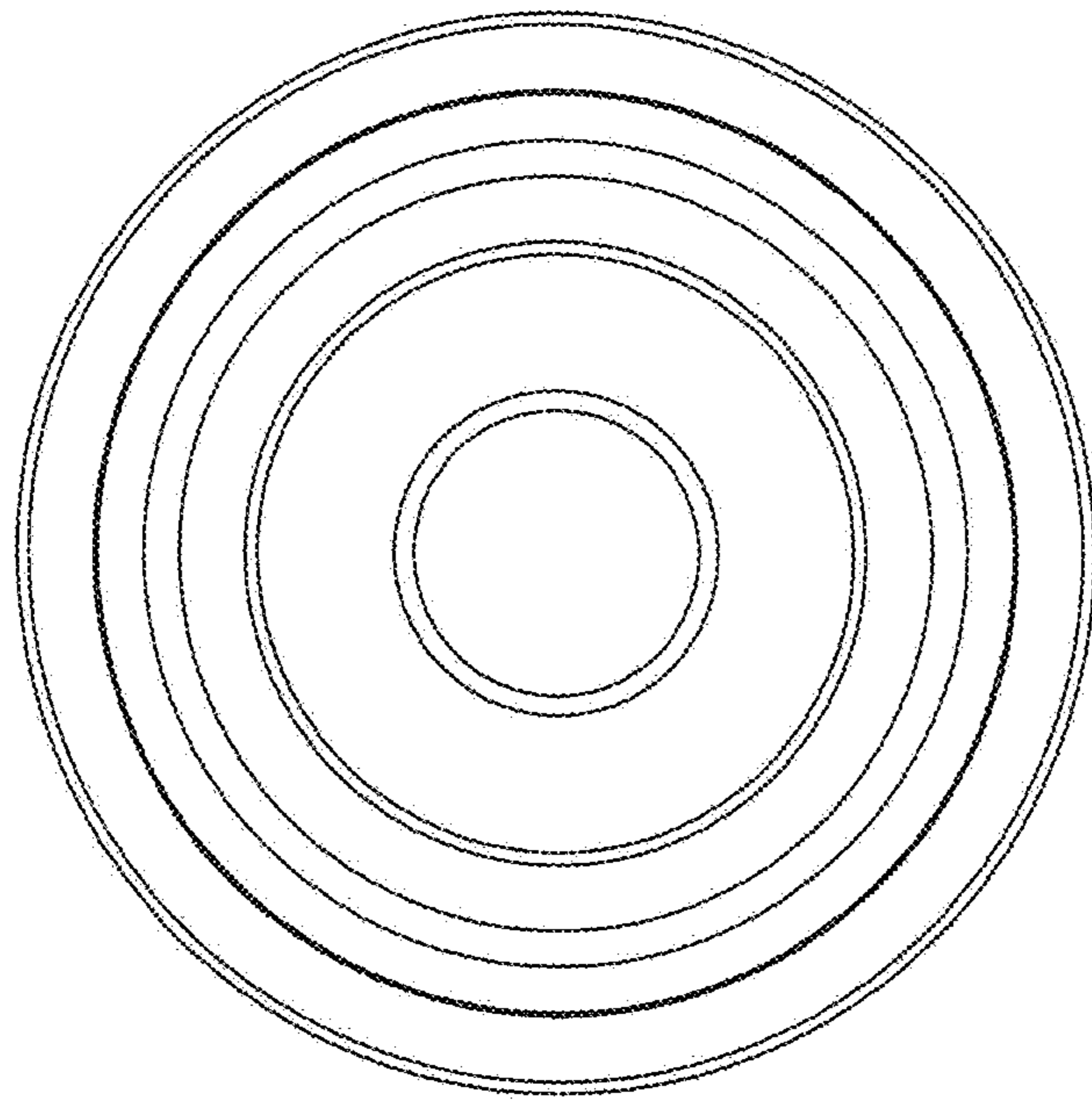


FIG. 4

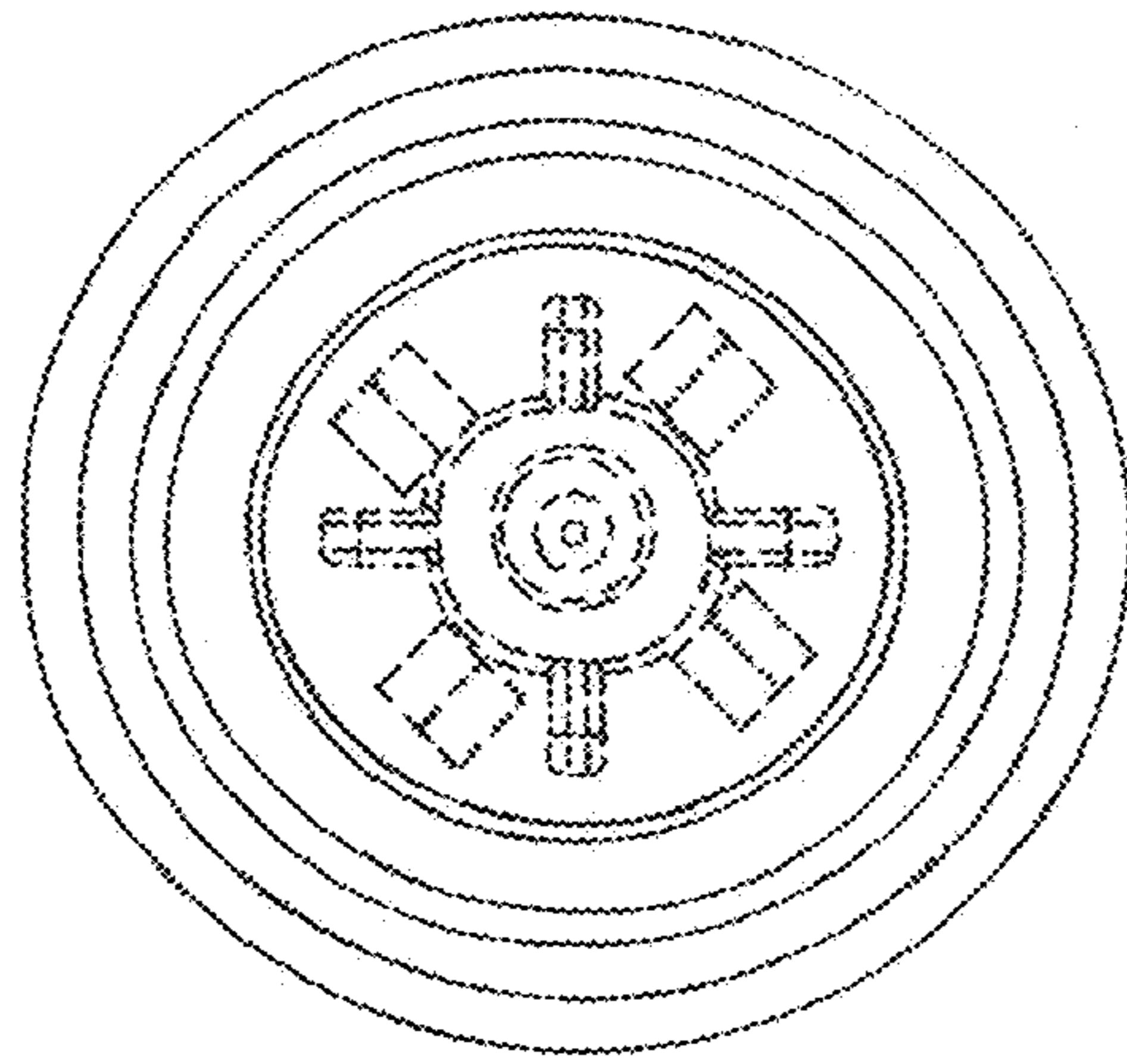


FIG. 5