



US00D805636S

(12) **United States Design Patent** (10) **Patent No.:** **US D805,636 S**
Pike (45) **Date of Patent:** **** Dec. 19, 2017**

(54) **SALIVA EJECTOR VALVE TIP**
(71) Applicant: **Mark Pike**, Fayetteville, NC (US)
(72) Inventor: **Mark Pike**, Fayetteville, NC (US)
(**) Term: **15 Years**
(21) Appl. No.: **29/564,913**
(22) Filed: **May 17, 2016**
(51) **LOC (10) Cl.** **24-02**
(52) **U.S. Cl.**
USPC **D24/130**
(58) **Field of Classification Search**
USPC D24/127-131, 112-114, 133, 186;
606/181, 185; 604/264, 272, 115, 232,
604/187, 158, 164.08, 192, 263, 163, 181,
604/184, 198, 227; 600/101, 139, 143;
128/200.24, 207.14, 207.15
CPC A61C 17/043; Y10T 137/7843
See application file for complete search history.

(56) **References Cited**

U.S. PATENT DOCUMENTS

5,294,325 A * 3/1994 Liu G01N 27/28
204/416
5,588,949 A * 12/1996 Taylor A61B 1/00193
600/101
D378,233 S * 2/1997 Warner D24/130
5,683,370 A * 11/1997 Luther A61M 25/001
604/164.01
D421,496 S * 3/2000 Hellstrom D24/121
D494,677 S * 8/2004 Garvin D24/130
7,316,679 B2 * 1/2008 Bierman A61M 39/10
128/DIG. 26
D592,748 S * 5/2009 Boulton A61F 11/006
D24/108
D644,731 S * 9/2011 Fangrow, Jr. D24/129
D665,497 S * 8/2012 Marshall D24/130

8,758,306 B2 * 6/2014 Lopez A61M 39/10
604/247
2006/0287664 A1 * 12/2006 Grage, Jr. A61B 5/150022
606/181
2012/0165745 A1 * 6/2012 Nielsen A61M 5/3202
604/192

* cited by examiner

Primary Examiner — David G Muller
Assistant Examiner — Nathan M Johnston
(74) *Attorney, Agent, or Firm* — Nexsen Pruet, PLLC; E. Eric Mills

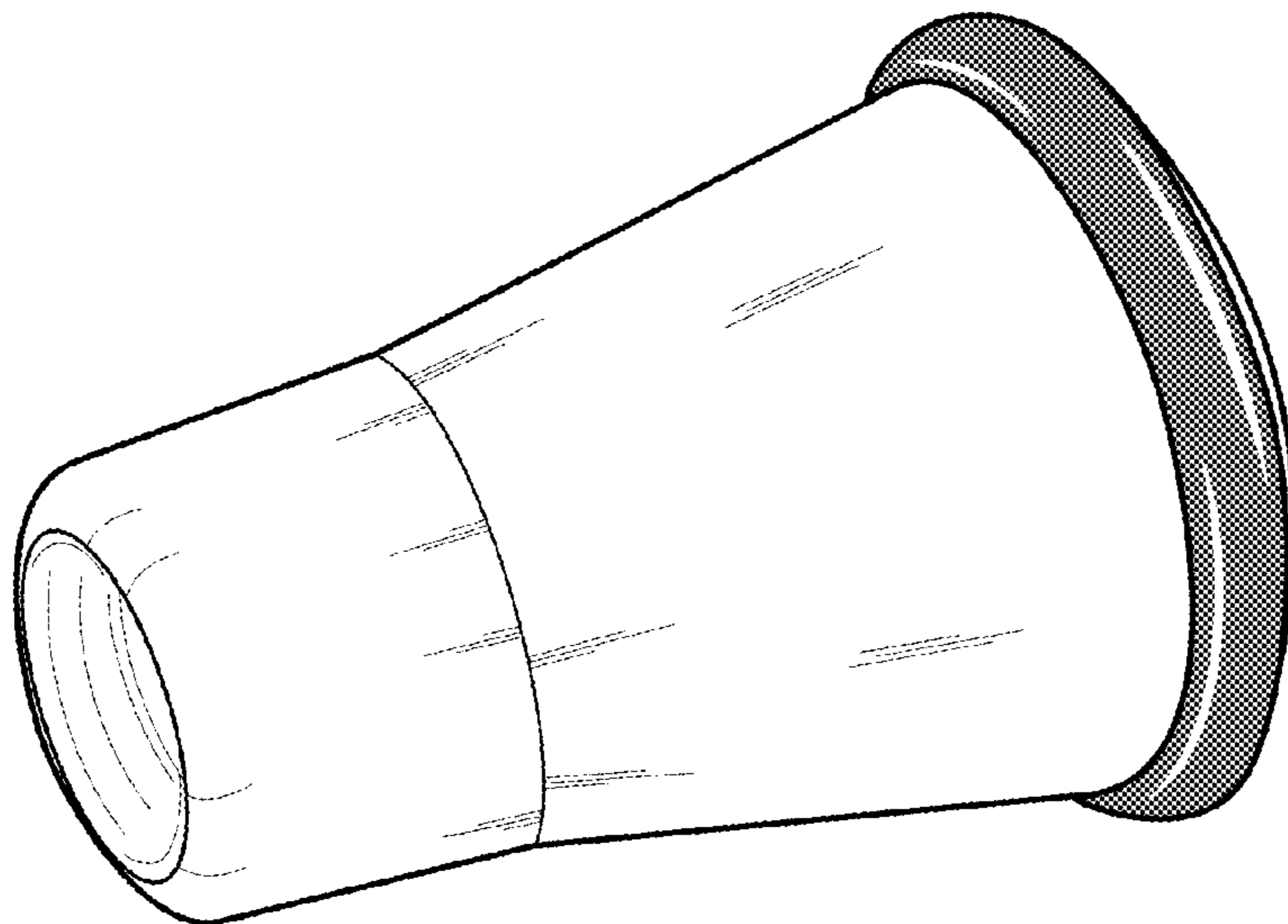
(57) **CLAIM**

The ornamental design for a saliva ejector valve tip, as shown and described.

DESCRIPTION

FIG. 1 is a perspective view of a saliva ejector valve tip showing a new design, with an O-ring installed thereon; FIG. 2 is a perspective view thereof with the O-ring separated therefrom; FIG. 3 is a side view thereof with the O-ring installed thereon; FIG. 4 is a cross-sectional view thereof with the O-ring installed thereon and taken along line 4-4 in FIG. 5; FIG. 5 is an end view thereof with the O-ring installed thereon; FIG. 6 is a side view thereof absent the O-ring; FIG. 7 is a cross-sectional view thereof absent the O-ring and taken along line 7-7 in FIG. 8; and, FIG. 8 is an end view thereof absent the O-ring. The depictions of the O-ring installed on, separated from, and absent from the saliva ejector valve tip are provided for ease of illustration.

1 Claim, 4 Drawing Sheets



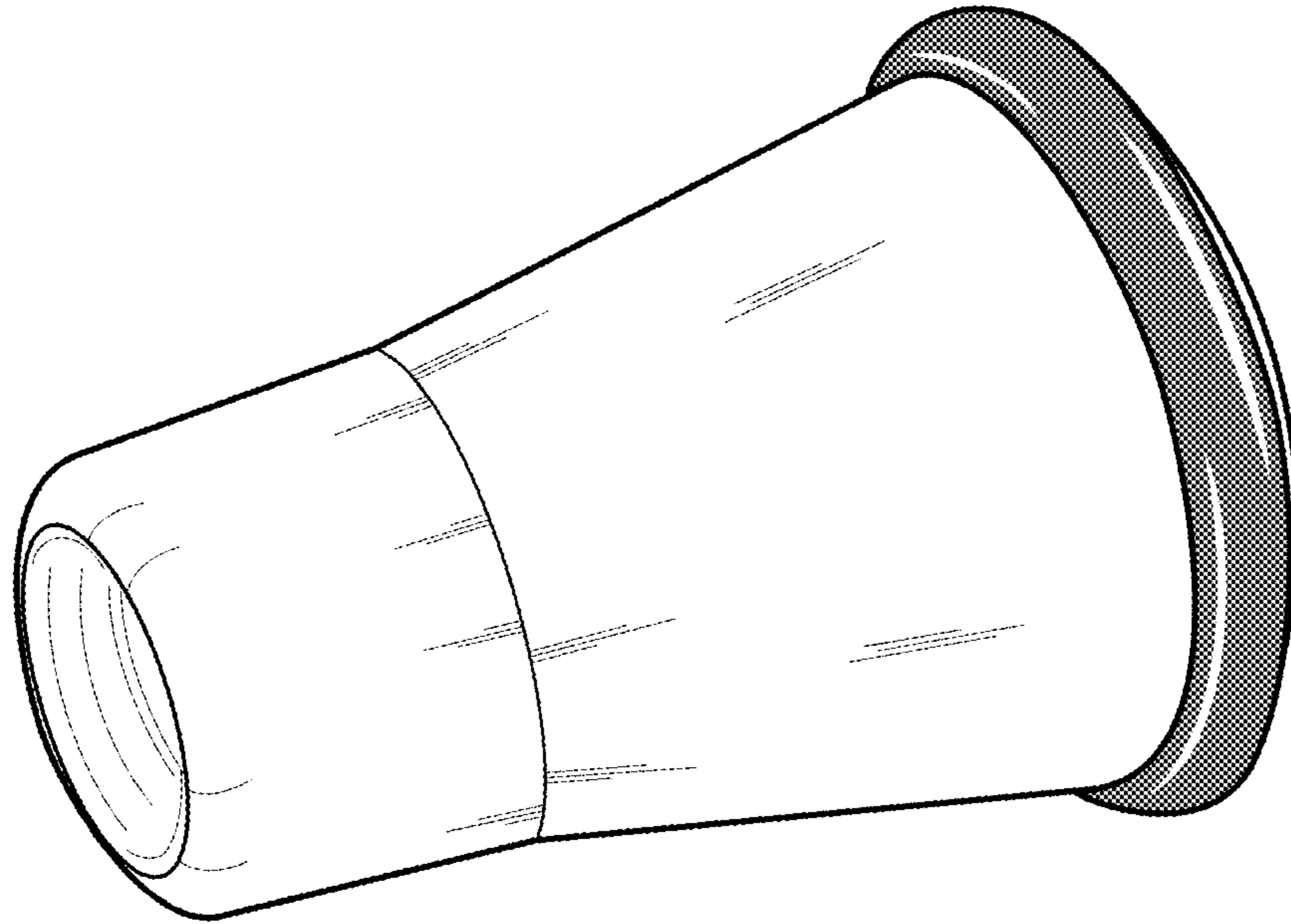


FIG. 1

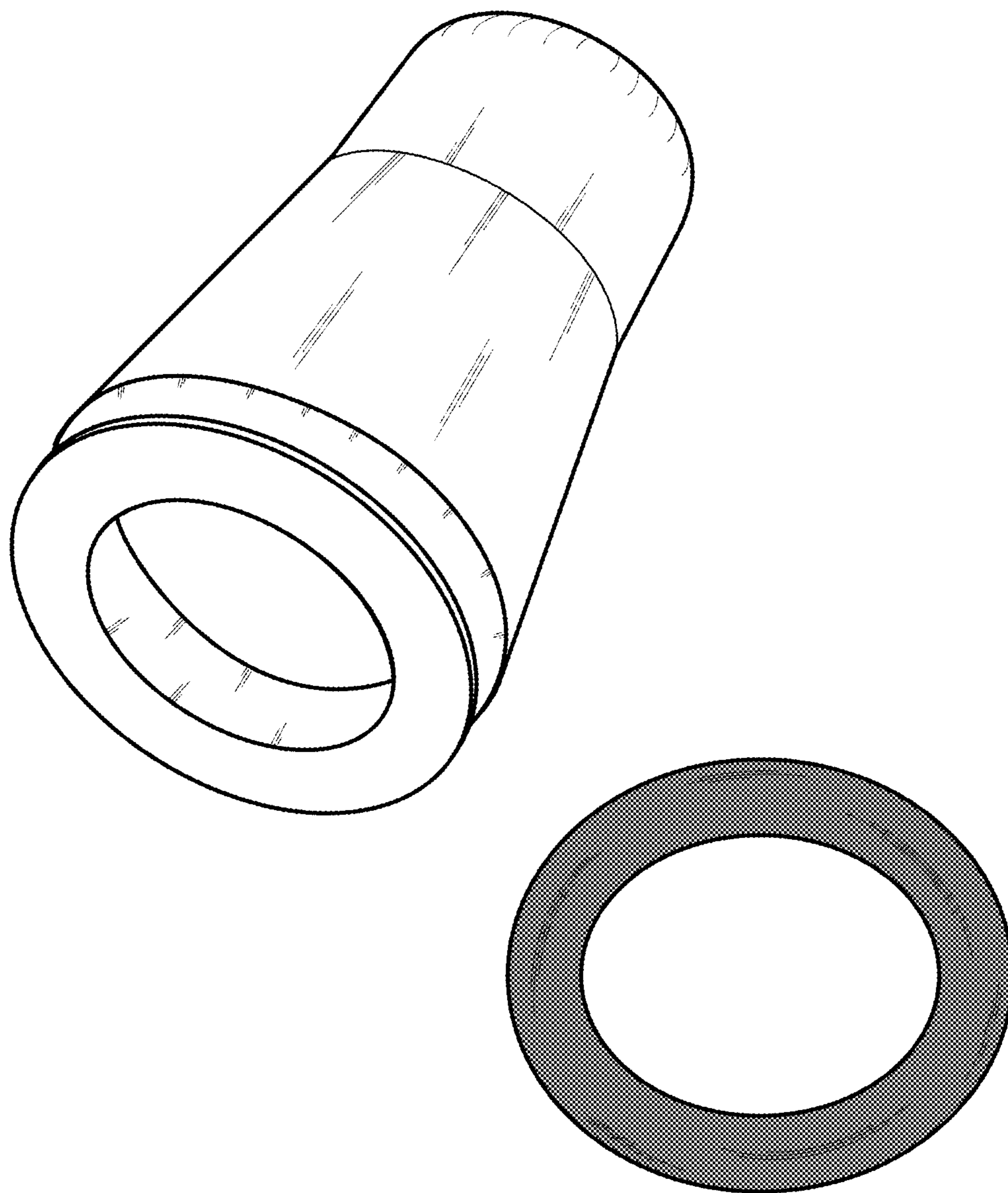


FIG. 2

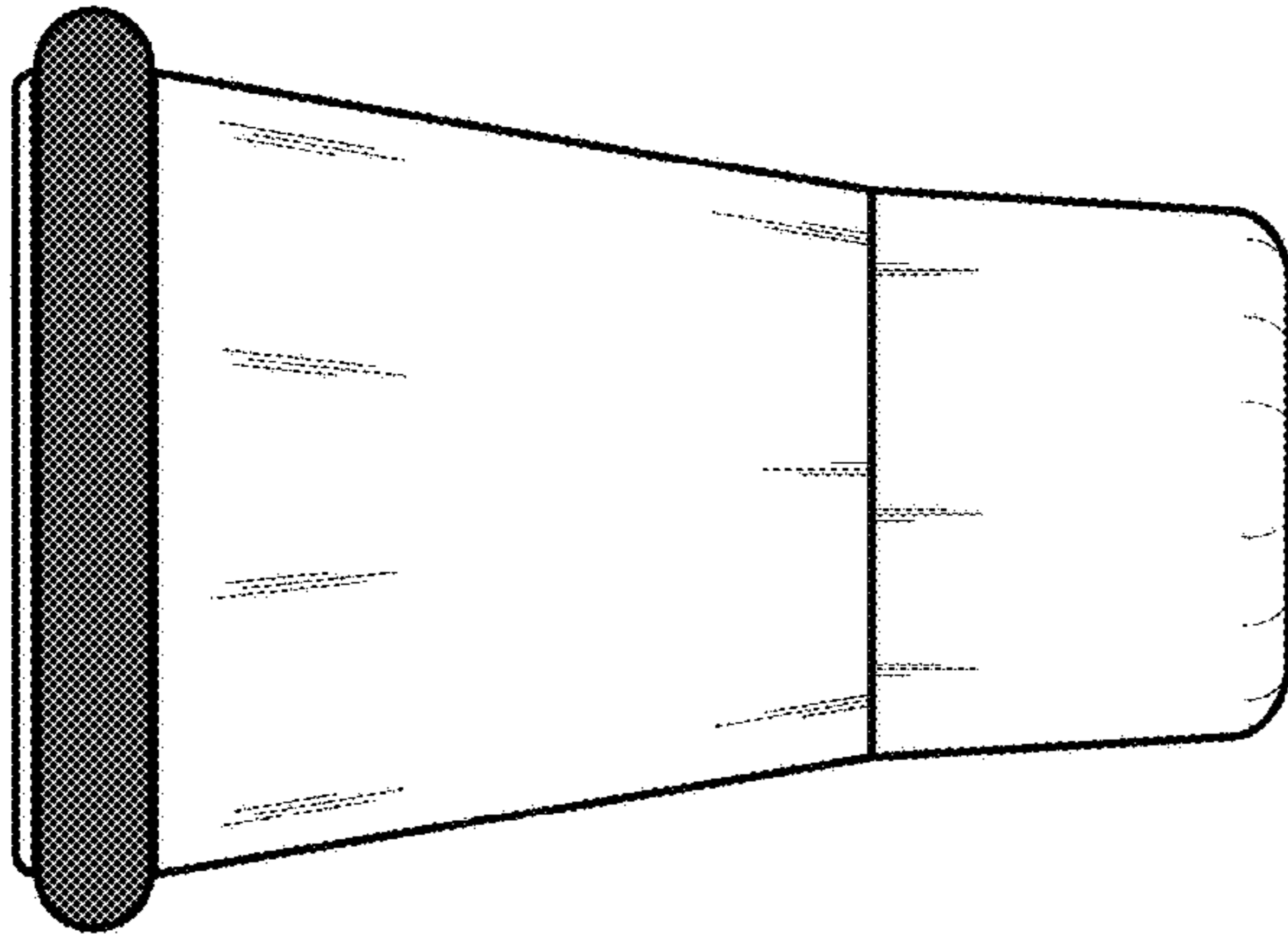


FIG. 3

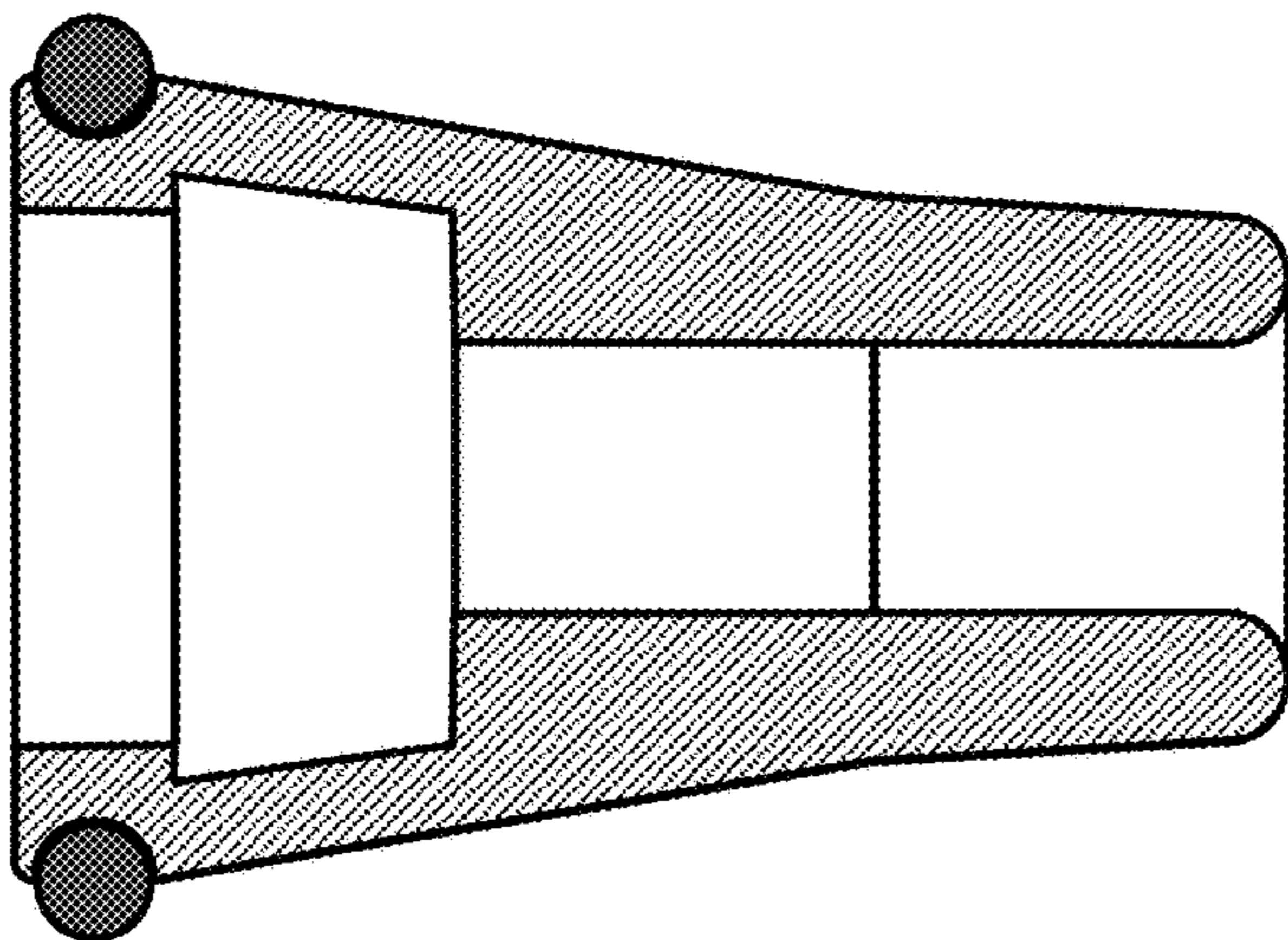


FIG. 4

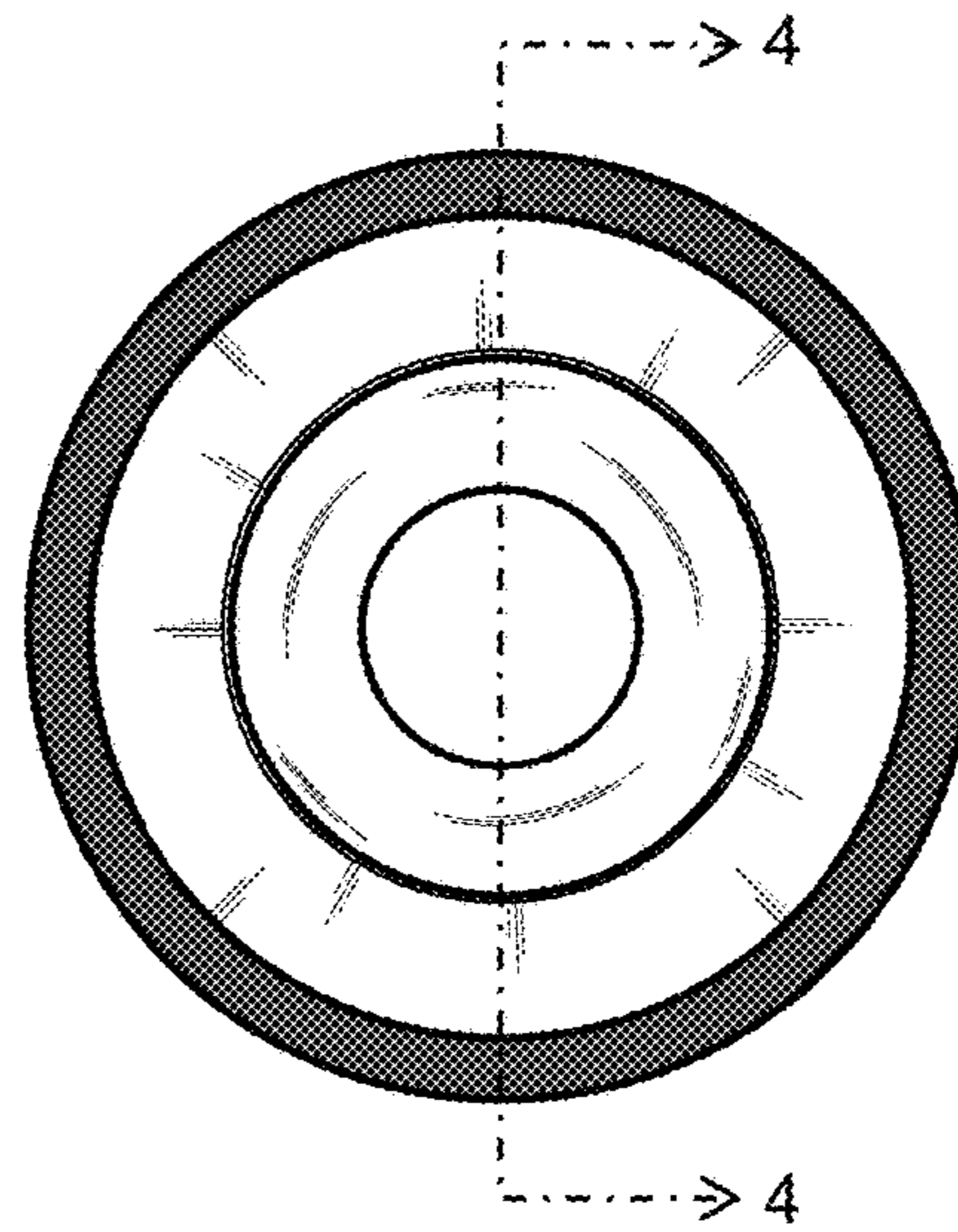


FIG. 5

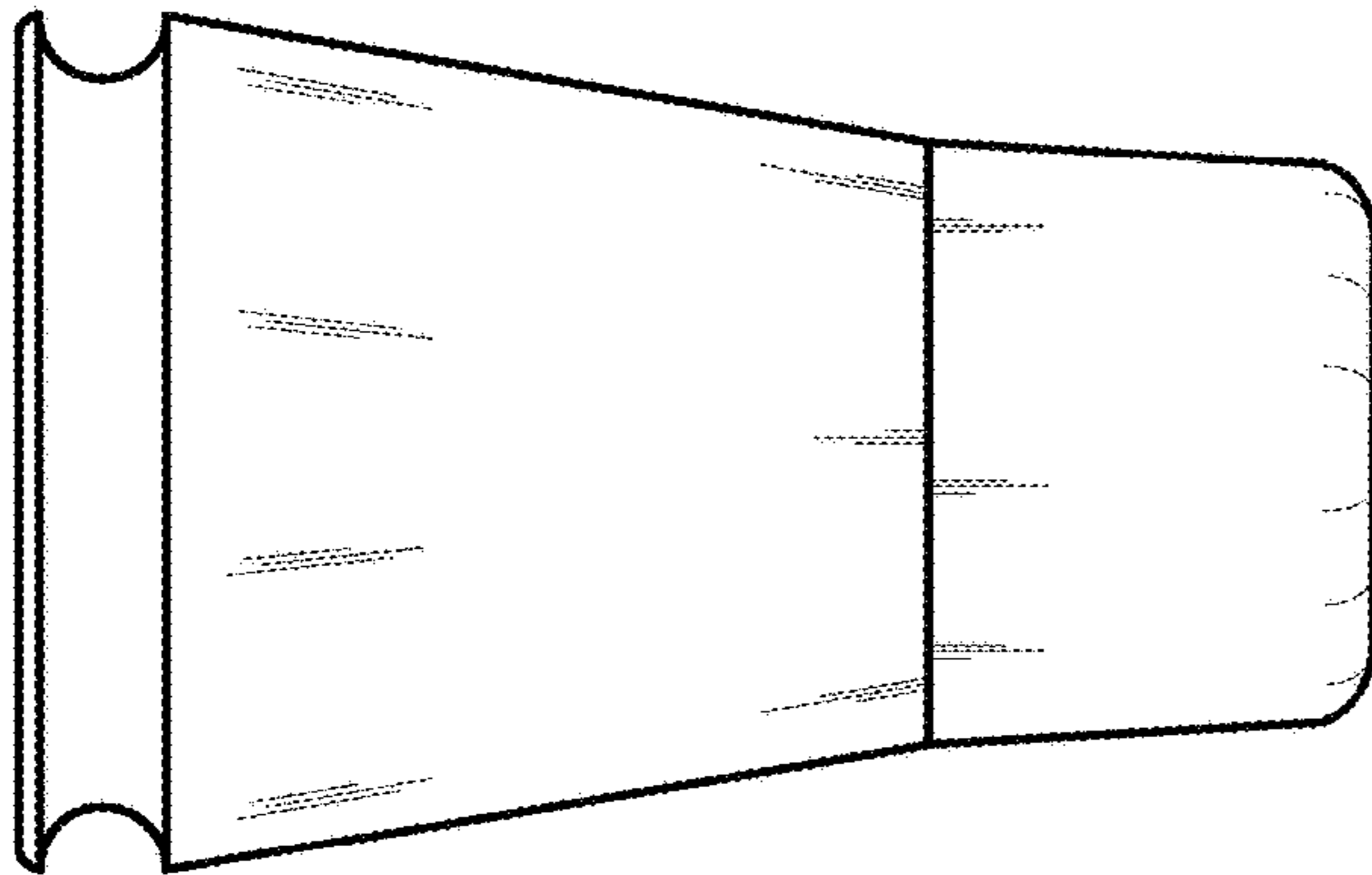


FIG. 6

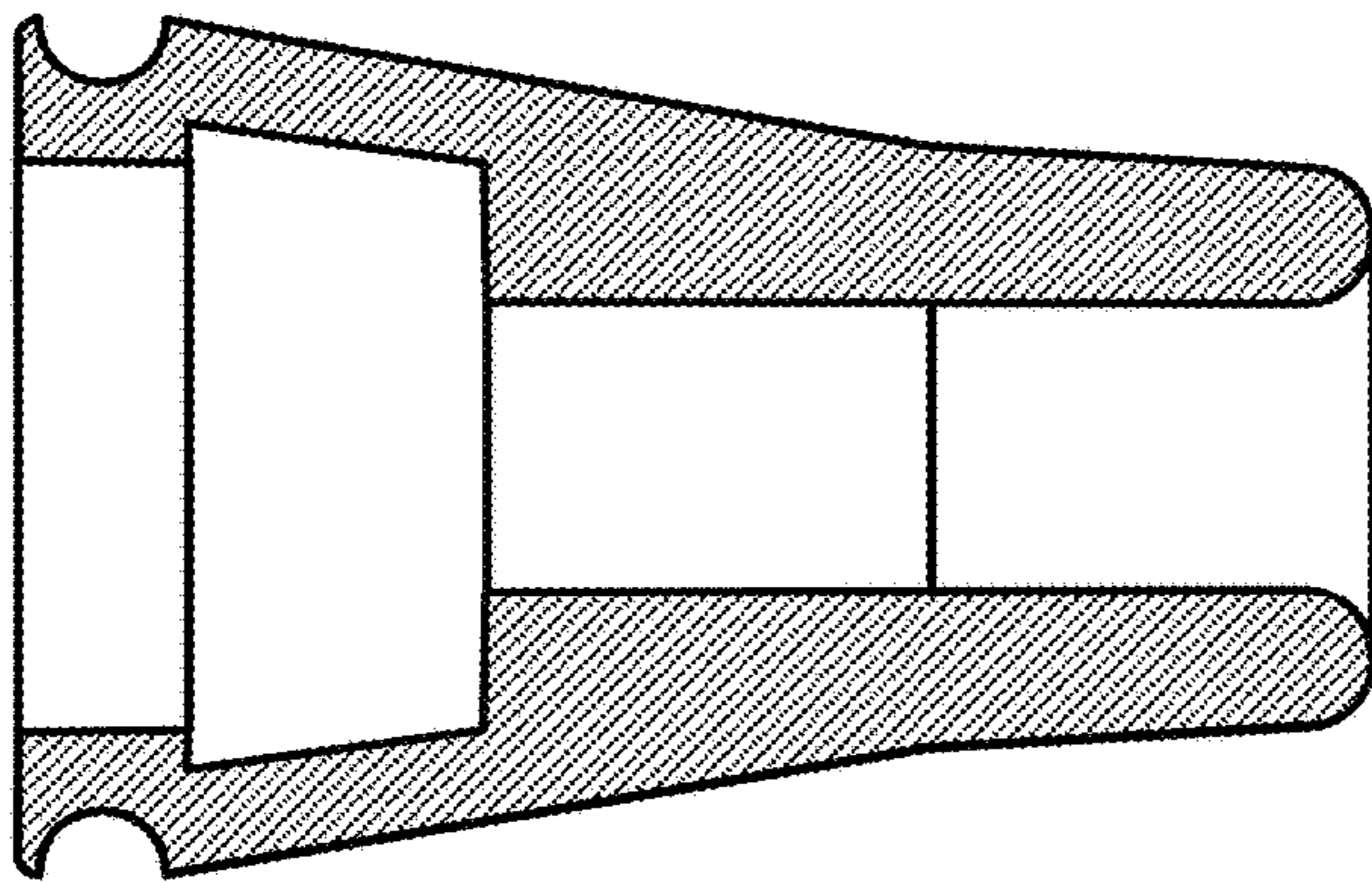


FIG. 7

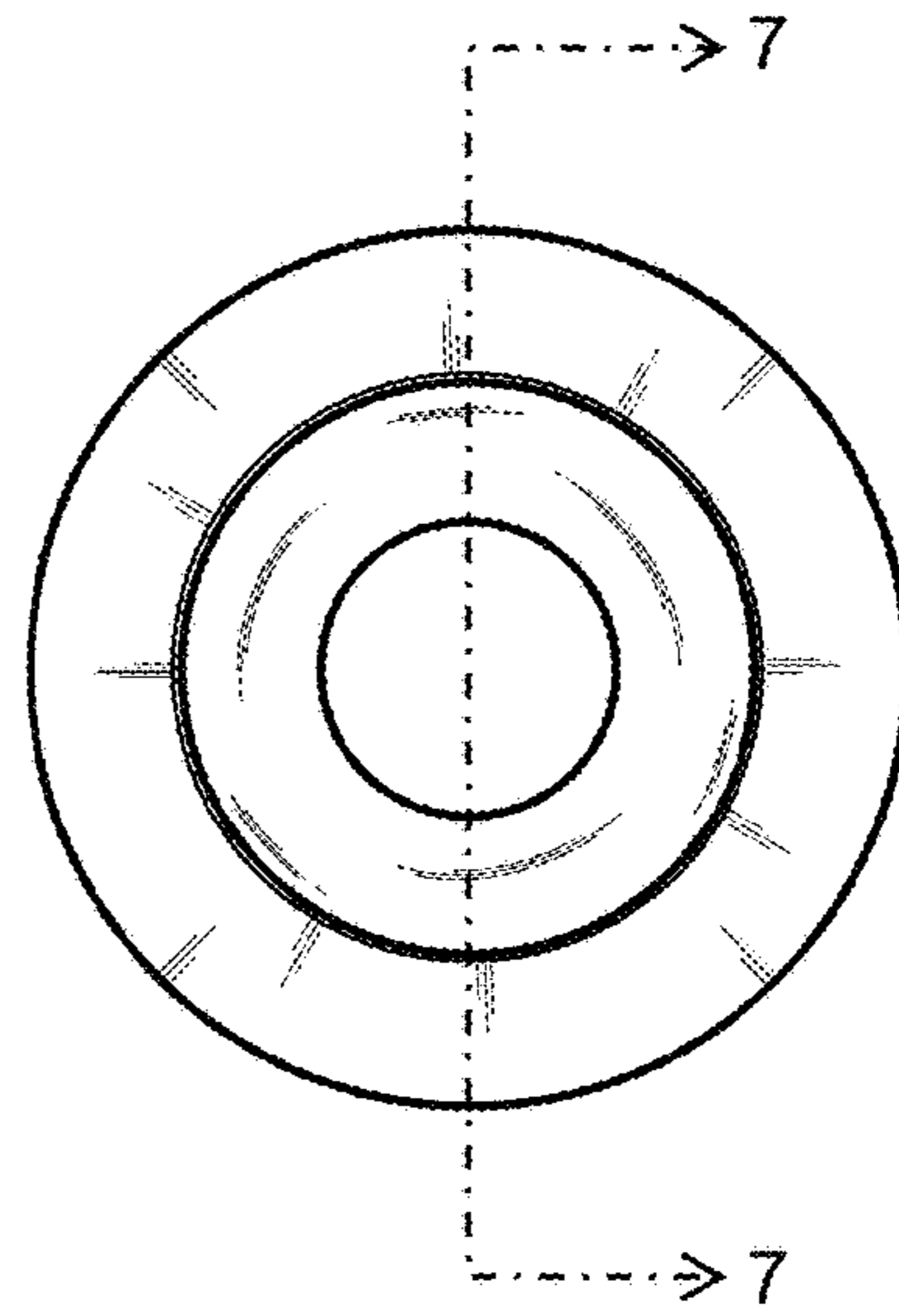


FIG. 8