



US00D805634S

(12) **United States Design Patent**
Mangiafico et al.

(10) **Patent No.:** **US D805,634 S**

(45) **Date of Patent:** **** Dec. 19, 2017**

- (54) **SPECIMEN CUP AND TRANSFER APPARATUS**
- (71) Applicants: **Emanuele A Mangiafico**, East Windsor, CT (US); **Darin Senna**, East Windsor, CT (US); **David Facchini**, East Windsor, CT (US)
- (72) Inventors: **Emanuele A Mangiafico**, Farmington, CT (US); **Darin Senna**, Portland, CT (US); **David Facchini**, Farmington, CT (US); **Andrew Cervasio**, Sarasota, FL (US)

7,007,817 B2 * 3/2006 Jochem B29C 37/0085
215/305
D610,700 S * 2/2010 Khoury D24/121
D690,826 S * 10/2013 Kuroda D24/224
D717,462 S * 11/2014 Wainwright D24/216
D717,469 S * 11/2014 Nemeth D24/224
9,033,194 B1 * 5/2015 Grabowski B65D 83/04
222/185.1
D731,672 S * 6/2015 Kuroda D24/224
D759,836 S * 6/2016 Wainwright D24/216

* cited by examiner

Primary Examiner — David G Muller
(74) *Attorney, Agent, or Firm* — Coleman & MacDonald Law Office

(**) Term: **15 Years**

(21) Appl. No.: **29/536,957**

(22) Filed: **Aug. 20, 2015**

(51) **LOC (10) Cl.** **24-04**

(52) **U.S. Cl.**
USPC **D24/121**

(58) **Field of Classification Search**
USPC D24/121, 123, 224; 604/317–325
CPC A61M 1/0058; Y10T 137/3109
See application file for complete search history.

(56) **References Cited**

U.S. PATENT DOCUMENTS

D303,428 S * 9/1989 Wada D24/224
6,358,232 B1 * 3/2002 Hand A61M 1/0005
141/329
D481,313 S * 10/2003 Archer D9/436
6,635,028 B1 * 10/2003 Lelpo A61M 1/0058
137/205
D481,946 S * 11/2003 Nicholson D24/224

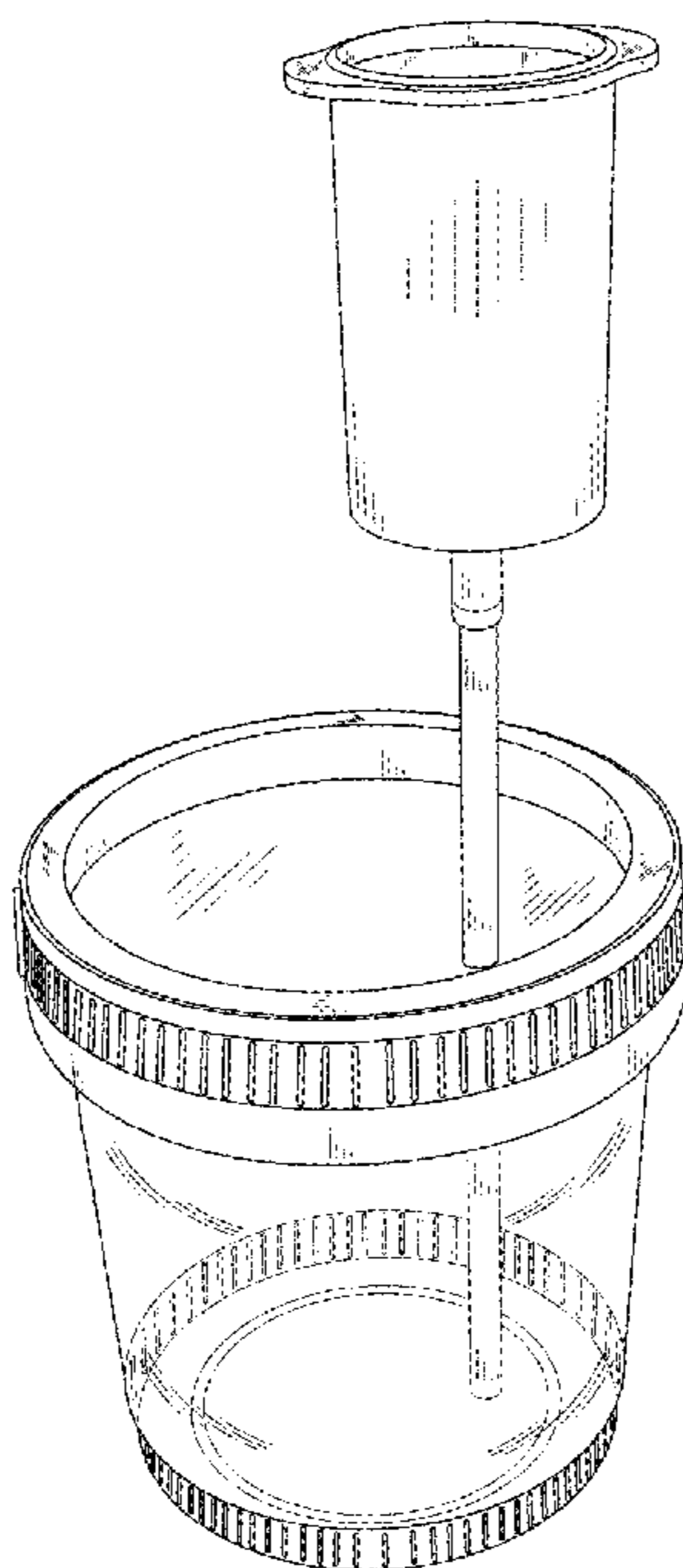
(57) **CLAIM**

The ornamental design of a specimen cup and transfer apparatus, as shown and described.

DESCRIPTION

FIG. 1 is a perspective view of a specimen cup and transfer apparatus according to our new design; FIG. 2 is a front elevation view thereof; FIG. 3 is a rear elevation view thereof; FIG. 4 is a left end elevation view thereof; FIG. 5 is a right end elevation view thereof; FIG. 6 is a top plan view thereof; and, FIG. 7 is a bottom plan view thereof. The broken lines shown are included for the purpose of illustrating the unclaimed portions of the article and form no part of the claimed design.

1 Claim, 7 Drawing Sheets



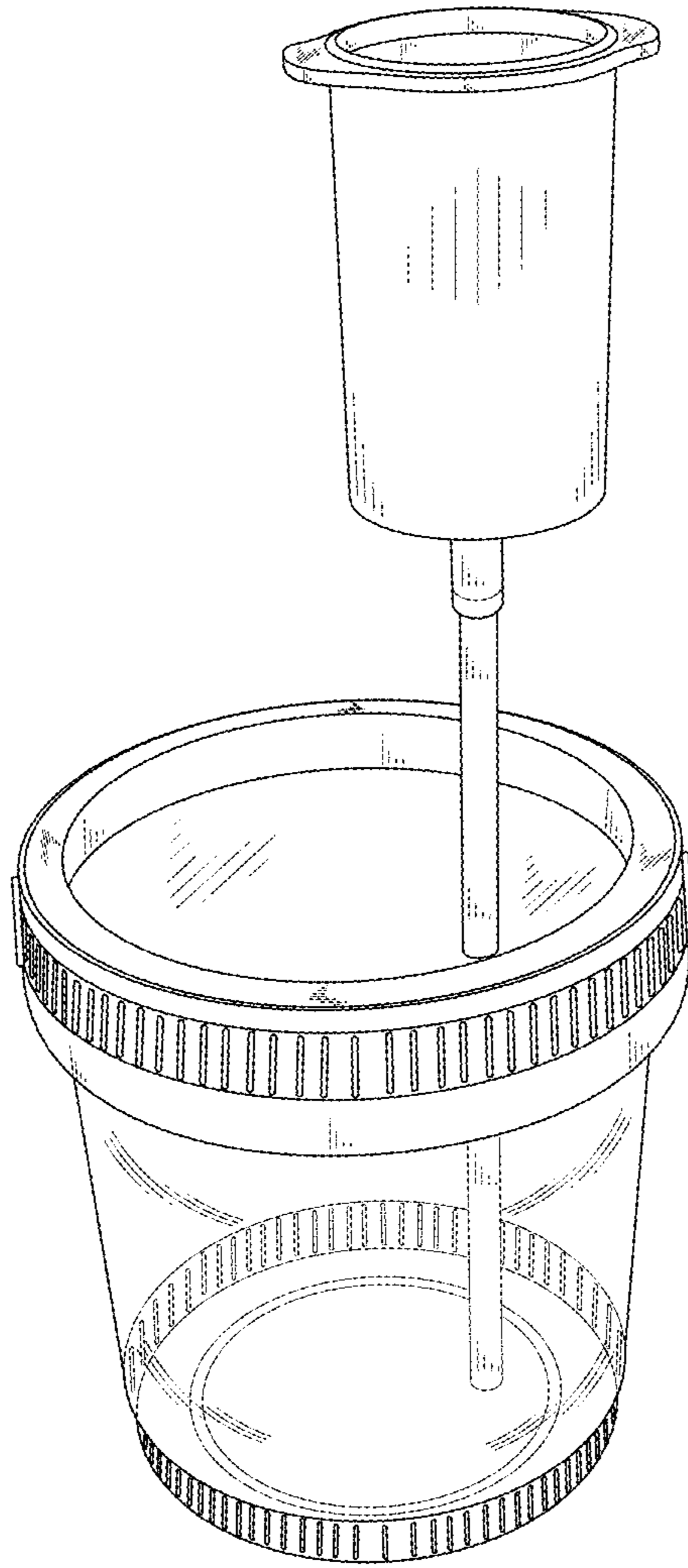


FIG. 1

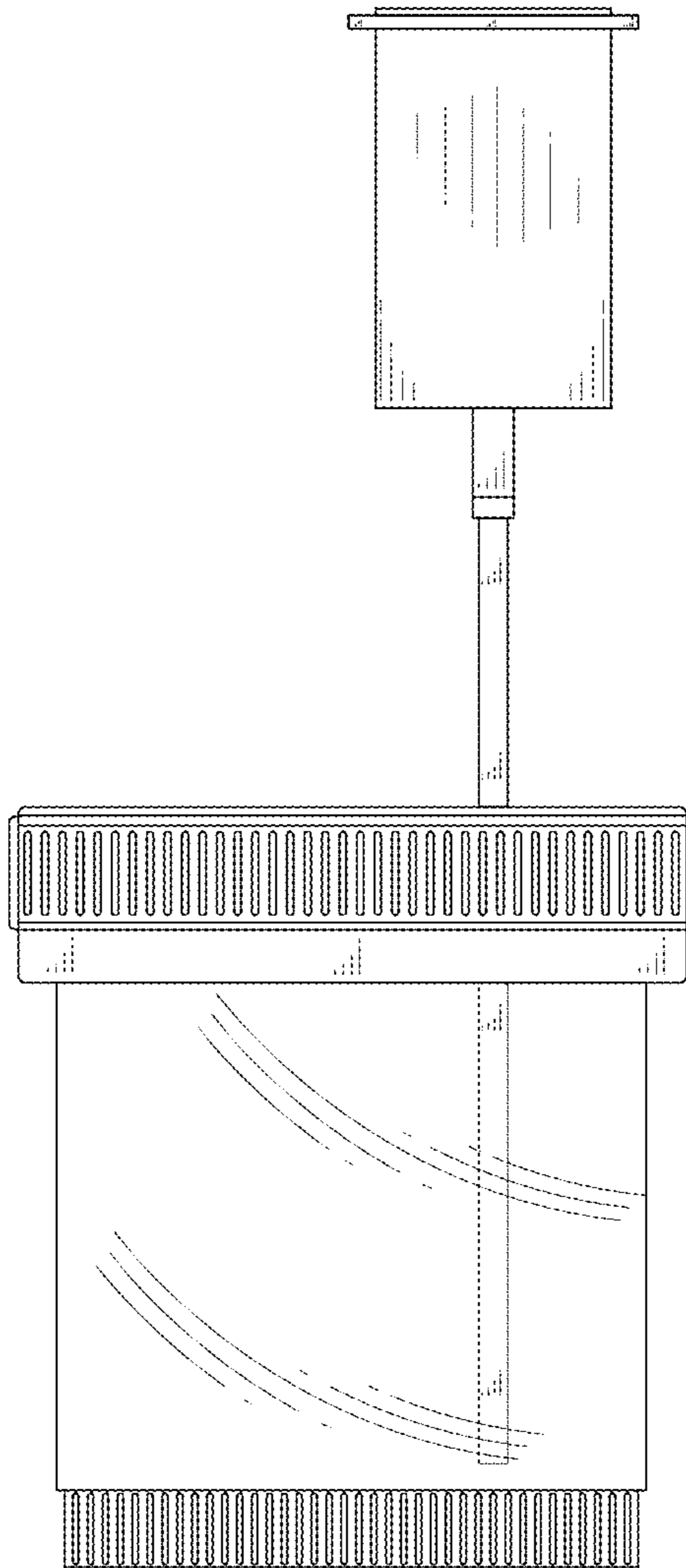


FIG. 2

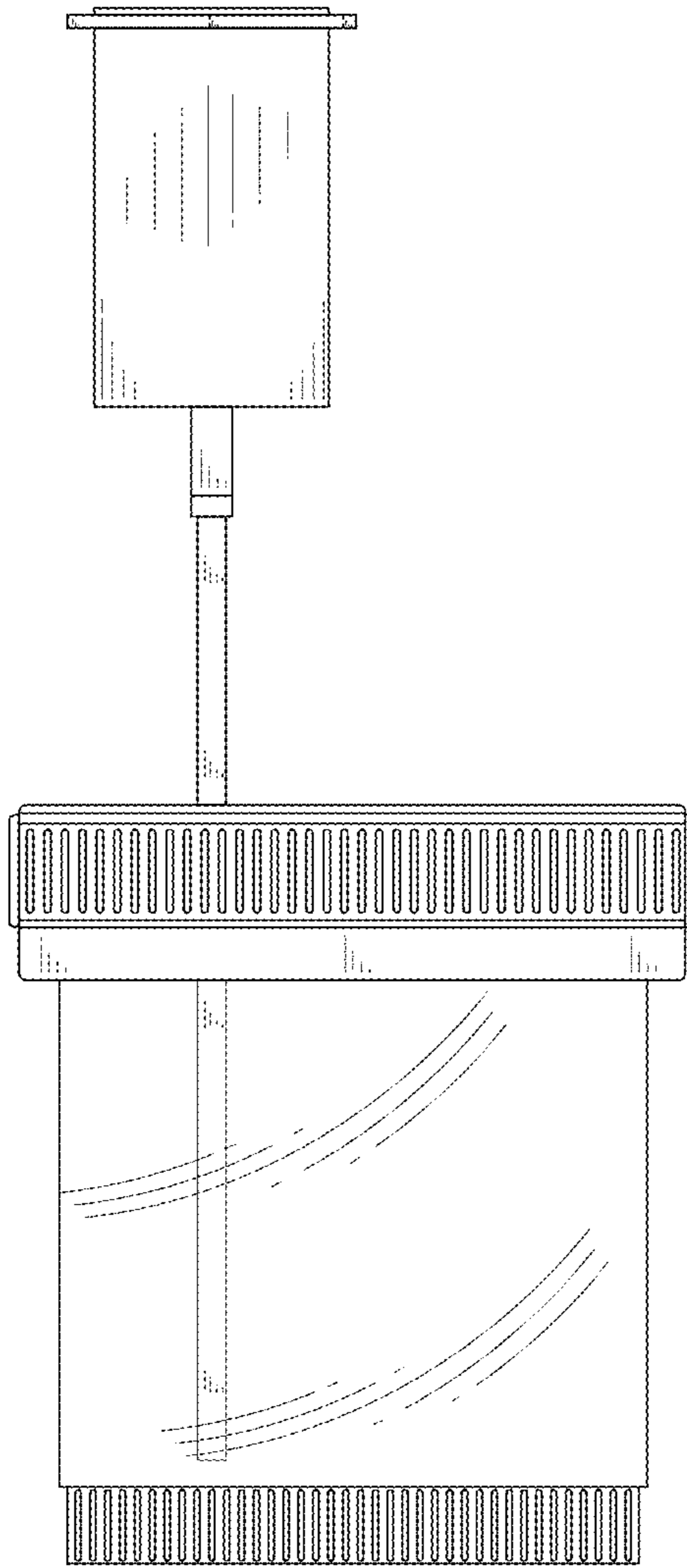


FIG. 3

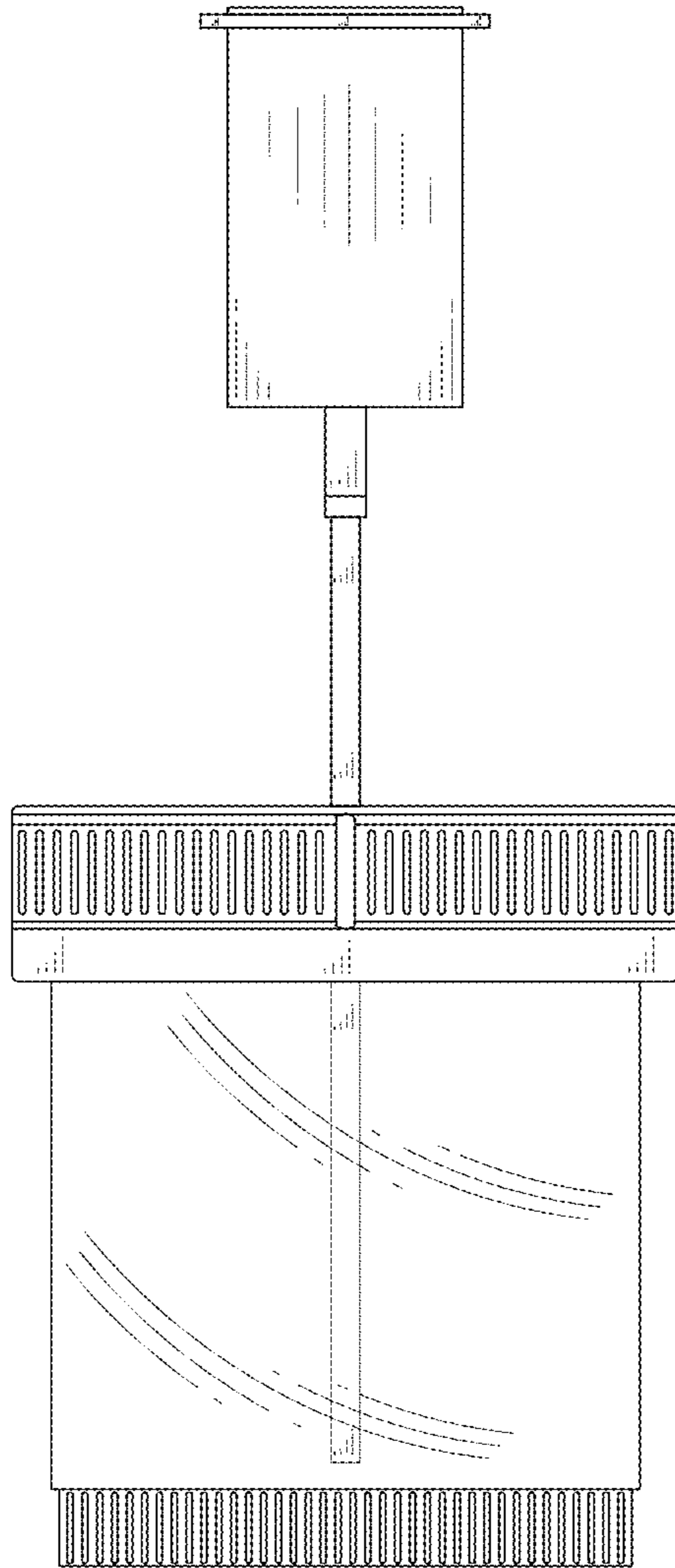


FIG. 4

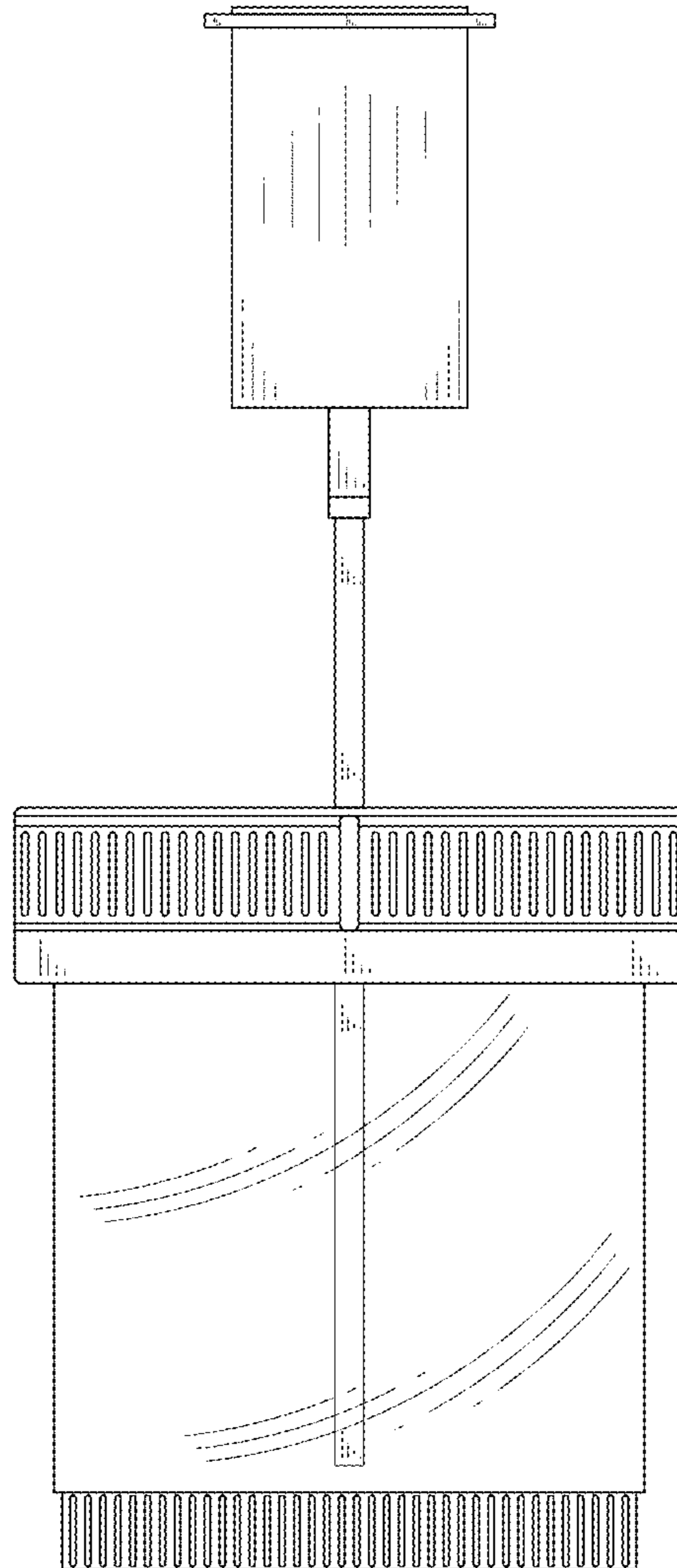


FIG. 5

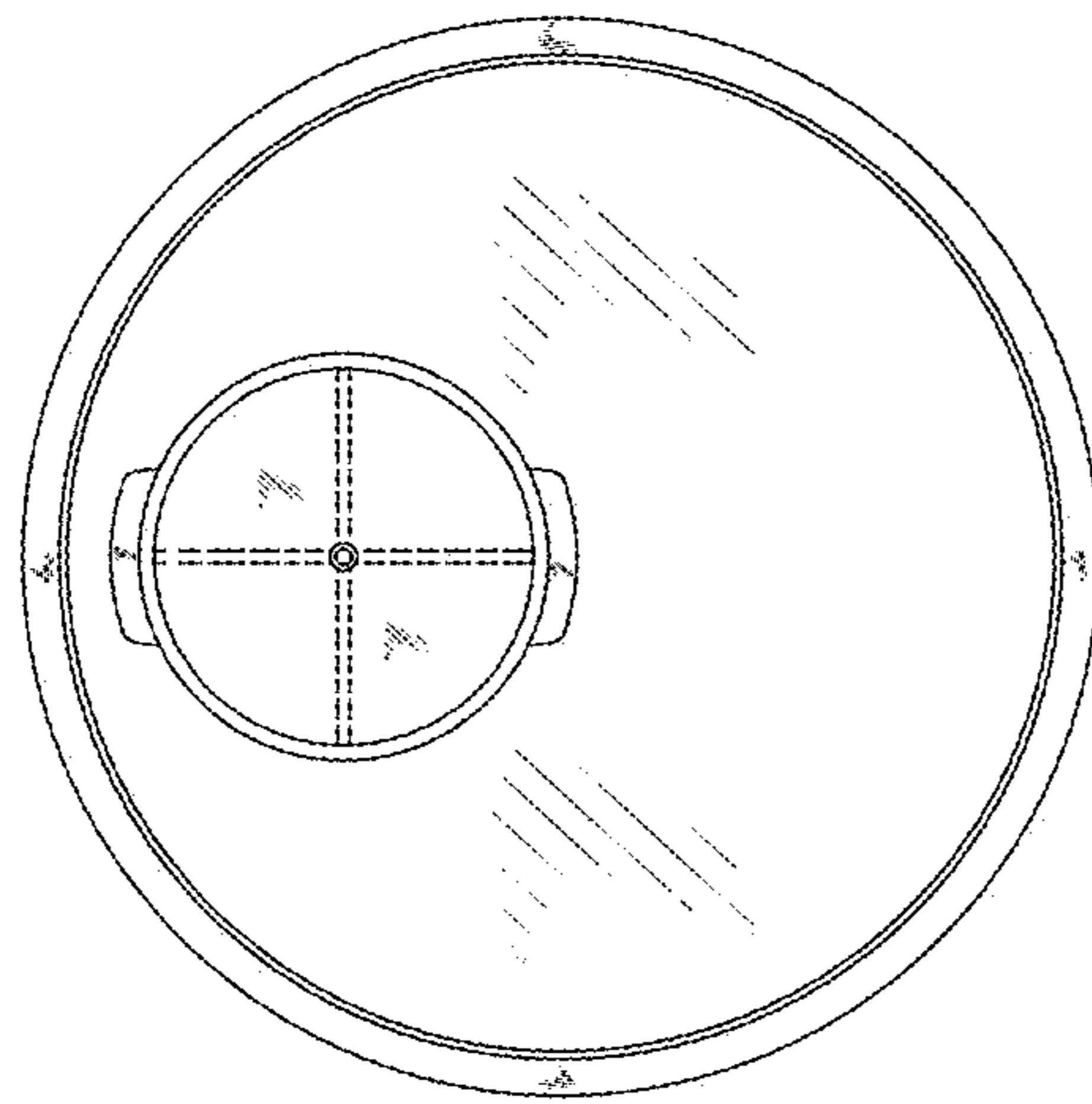


FIG. 6

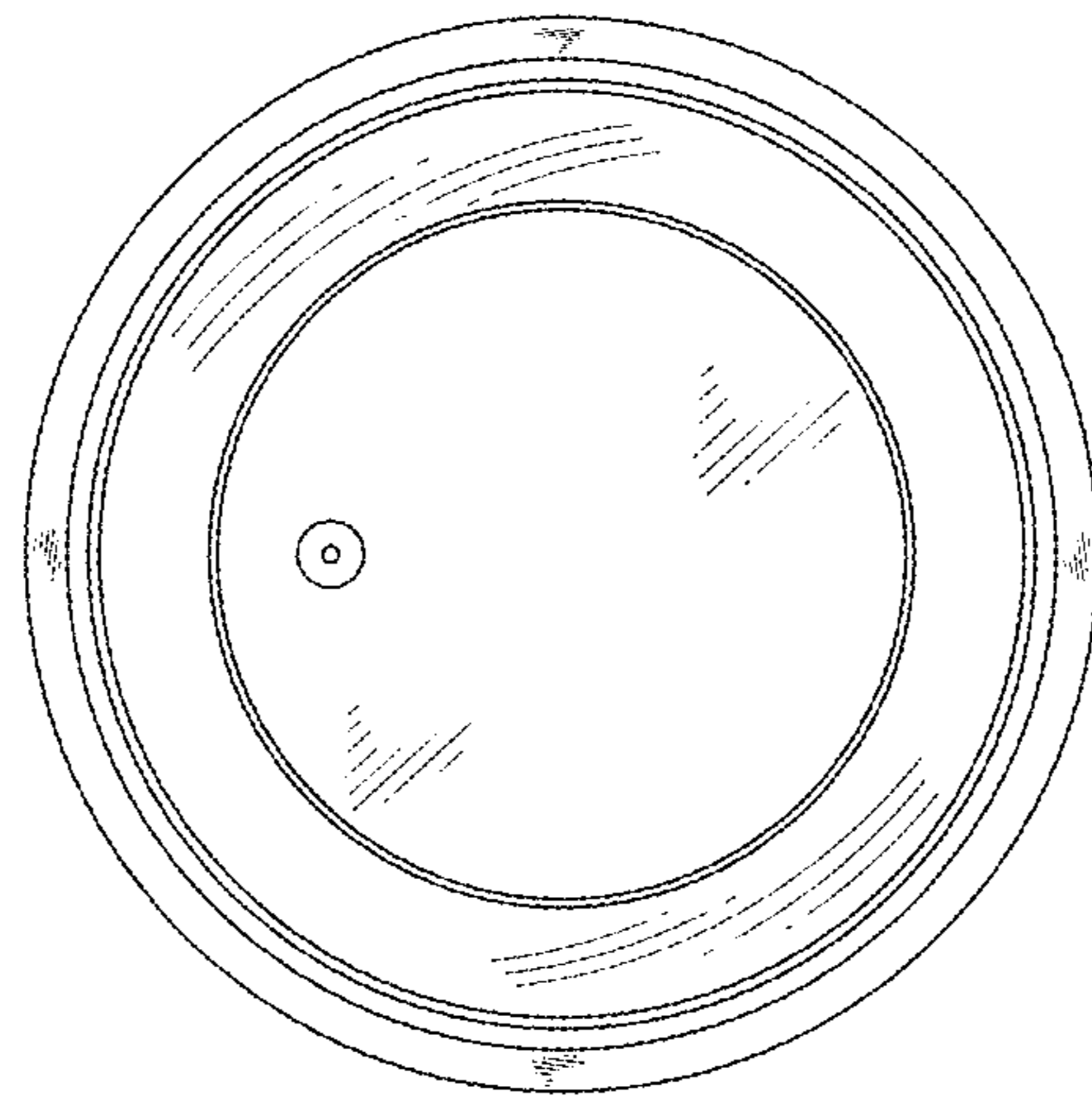


FIG. 7