



US00D805630S

(12) **United States Design Patent** (10) **Patent No.:** **US D805,630 S**
Formica et al. (45) **Date of Patent:** **** Dec. 19, 2017**

(54) **AIR DELIVERY TUBE**

(71) Applicant: **ResMed Limited**, Bella Vista, New South Wales (AU)

(72) Inventors: **Justin John Formica**, Sydney (AU); **Mark Simpson**, Sydney (AU)

(**) Term: **15 Years**

(21) Appl. No.: **29/553,470**

(22) Filed: **Feb. 2, 2016**

(51) **LOC (10) Cl.** **29-02**

(52) **U.S. Cl.**
USPC **D24/110**

(58) **Field of Classification Search**
USPC D24/110, 110.1–110.5, 127
CPC A61M 16/0616; A61M 16/0633; A61M 16/06; A61M 16/0666; A61M 16/0683; A61M 16/0875; A61M 16/0816; A61M (Continued)

(56) **References Cited**

U.S. PATENT DOCUMENTS

| | | | | | |
|-----------|-----|--------|--------------|-------|--------------------------|
| 2,073,335 | A * | 3/1937 | Connell | | A61M 16/08 128/204.18 |
| 2,516,864 | A * | 8/1950 | Gilmore | | B29B 13/00 138/133 |
| 3,388,705 | A | 6/1968 | Grosshandler | | (Continued) |

FOREIGN PATENT DOCUMENTS

| | | | |
|----|-----------|---|--------|
| CN | 101541367 | A | 9/2009 |
| CN | 102170932 | A | 8/2011 |

(Continued)

OTHER PUBLICATIONS

West, "Respiratory Physiology", Lippincott Williams & Wilkins, 9th edition published 2012, 8 pages.
(Continued)

Primary Examiner — Garth Rademaker

Assistant Examiner — Lilyana Bekic

(74) *Attorney, Agent, or Firm* — Nixon & Vanderhye P.C.

(57) **CLAIM**

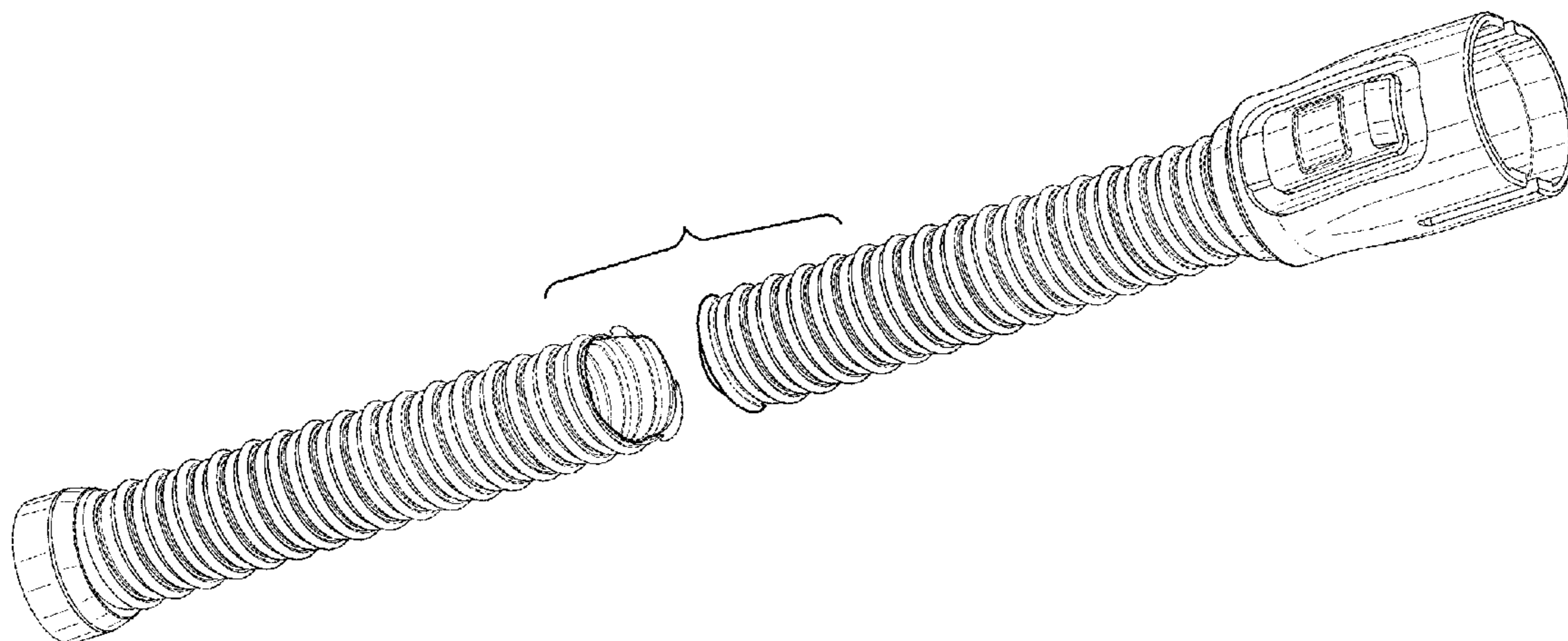
The ornamental design for an air delivery tube, as shown and described.

DESCRIPTION

FIG. 1 is a perspective view of an air delivery tube showing a first embodiment of our new ornamental design; FIG. 2 is another perspective view thereof; FIG. 3 is a front view thereof; FIG. 4 is a rear view thereof; FIG. 5 is a top view thereof; FIG. 6 is a bottom view thereof; FIG. 7 is a left end view thereof; FIG. 8 is a right end view thereof; FIG. 9 is a reverse perspective view thereof; FIG. 10 is a partial cross sectional view taken along lines 10-10 of FIG. 7; FIG. 11 is a perspective view of an air delivery tube showing a second embodiment of our new ornamental design; FIG. 12 is another perspective view thereof; FIG. 13 is a front view thereof; FIG. 14 is a rear view thereof; FIG. 15 is a top view thereof; FIG. 16 is a bottom view thereof; FIG. 17 is a left end view thereof; FIG. 18 is a right end view thereof; FIG. 19 is a reverse perspective view thereof; and, FIG. 20 is a partial cross sectional view taken along lines 20-20 of FIG. 17.

The air delivery tube is shown with a symbolic break in its length. The appearance of any portion of the article between the break lines forms no part of the claimed design.

1 Claim, 10 Drawing Sheets



(58) **Field of Classification Search**
 CPC 16/08; A61M 16/0605; A61M 16/0622;
 A61M 16/0644
 See application file for complete search history.

(56) **References Cited**

U.S. PATENT DOCUMENTS

4,188,081 A 2/1980 Holden et al.
 4,283,594 A * 8/1981 Somers A47L 9/246
 15/377
 4,437,691 A 3/1984 Laney
 D280,765 S 9/1985 Alvino
 4,621,632 A 11/1986 Bartels et al.
 4,714,279 A 12/1987 Custeau
 4,782,832 A 11/1988 Trimble et al.
 D302,040 S * 7/1989 Lambert D23/314
 4,944,310 A 7/1990 Sullivan
 5,054,156 A 10/1991 Watanabe et al.
 5,309,902 A 5/1994 Kee et al.
 5,336,192 A 8/1994 Palestrant
 5,382,242 A 1/1995 Horton et al.
 5,392,770 A 2/1995 Clawson et al.
 D360,027 S * 7/1995 Psaros D23/359
 5,429,398 A 7/1995 Lupke
 5,640,951 A 6/1997 Huddart et al.
 5,762,382 A 6/1998 Perneti
 D405,522 S * 2/1999 Hoenic D24/110
 D421,298 S 2/2000 Kenyon et al.
 6,078,730 A 6/2000 Huddart et al.
 6,099,046 A 8/2000 Oh
 D436,401 S 1/2001 Remes et al.
 D454,637 S 3/2002 Nestenborg
 6,532,959 B1 3/2003 Berthon-Jones
 6,581,594 B1 6/2003 Drew et al.
 D476,731 S 7/2003 Cise et al.
 D486,909 S 2/2004 Cise et al.
 6,691,707 B1 2/2004 Gunaratnam et al.
 D493,520 S 7/2004 Bertinetti et al.
 D493,884 S 8/2004 Virr et al.
 6,892,729 B2 5/2005 Smith et al.
 6,953,354 B2 10/2005 Edirisuriya
 D544,598 S 6/2007 Lithgow et al.
 7,226,302 B2 * 6/2007 Walter A47L 9/246
 15/377
 7,237,770 B2 7/2007 Lipscombe et al.
 D550,349 S 9/2007 Lithgow et al.
 7,306,205 B2 12/2007 Huddart et al.
 D560,795 S 1/2008 Lithgow et al.
 D561,890 S 2/2008 Lithgow et al.
 D561,891 S 2/2008 Lithgow et al.
 D570,473 S 6/2008 Hamaguchi et al.
 D578,204 S 10/2008 Lithgow et al.
 D580,060 S 11/2008 Adams
 D585,131 S 1/2009 Trevor-Wilson et al.
 D585,540 S 1/2009 Lithgow et al.
 D590,494 S 4/2009 Lithgow et al.
 D602,585 S 10/2009 Blackwell et al.
 D604,830 S 11/2009 Lithgow et al.
 D611,593 S 3/2010 Lithgow et al.
 D612,480 S 3/2010 Cork et al.
 D614,286 S 4/2010 Lithgow et al.
 D621,031 S 8/2010 Lithgow et al.
 7,814,907 B2 10/2010 Bremner et al.
 D627,044 S 11/2010 Virr et al.
 D628,288 S 11/2010 Row et al.
 D629,891 S 12/2010 Virr et al.
 D629,892 S 12/2010 Hill et al.
 7,866,944 B2 1/2011 Kenyon et al.
 7,874,292 B2 1/2011 Smith et al.
 D634,406 S 3/2011 Klimas
 D635,244 S 3/2011 Virr et al.
 D635,245 S 3/2011 Virr et al.
 D635,654 S 4/2011 Virr et al.
 D638,536 S 5/2011 Row et al.
 D638,537 S 5/2011 Virr et al.
 D638,933 S 5/2011 Hill et al.

D641,467 S 7/2011 Amann
 D643,114 S 8/2011 Virr et al.
 D650,479 S 12/2011 Row et al.
 D652,916 S 1/2012 Row et al.
 D652,917 S 1/2012 Hill et al.
 D655,813 S 3/2012 Row et al.
 D658,283 S 4/2012 Burz et al.
 D659,235 S 5/2012 Bertinetti et al.
 D671,209 S 11/2012 Row et al.
 8,360,059 B2 1/2013 Koulechov
 D677,789 S 3/2013 Row et al.
 8,636,479 B2 1/2014 Kenyon et al.
 8,638,014 B2 1/2014 Sears et al.
 D708,316 S 7/2014 Bertinetti et al.
 8,770,198 B2 7/2014 Yee
 8,783,298 B2 7/2014 Zucker
 D710,989 S 8/2014 Bertinetti et al.
 8,905,031 B2 12/2014 Barlow
 D736,371 S 8/2015 Row
 D741,477 S * 10/2015 Rogers D24/129
 D742,508 S * 11/2015 Row D24/129
 D751,687 S * 3/2016 Daly D24/110
 D751,688 S * 3/2016 Daly D24/110
 D761,422 S * 7/2016 Row D24/129
 D762,843 S * 8/2016 Formica D24/110
 2003/0236015 A1 12/2003 Edirisuriya et al.
 2006/0106345 A1 5/2006 Flaker et al.
 2006/0118113 A1 6/2006 Bremner et al.
 2007/0040378 A1 2/2007 Sheppard et al.
 2007/0169776 A1 7/2007 Kepler et al.
 2007/0181130 A1 * 8/2007 Worley A61M 16/0465
 128/207.14
 2007/0181132 A1 * 8/2007 Worley A61M 16/0465
 128/207.14
 2007/0218734 A1 9/2007 Walter et al.
 2008/0054635 A1 3/2008 Skiba et al.
 2008/0066756 A1 3/2008 Lang et al.
 2008/0077176 A1 3/2008 Hanlon et al.
 2008/0105257 A1 5/2008 Klasek et al.
 2009/0044808 A1 2/2009 Guney et al.
 2009/0050156 A1 2/2009 Ng et al.
 2009/0123886 A1 5/2009 Vaska
 2009/0126817 A1 5/2009 Gray
 2009/0223514 A1 9/2009 Smith et al.
 2009/0266361 A1 * 10/2009 Bilger A62B 18/006
 128/204.21
 2010/0000534 A1 1/2010 Kooij et al.
 2010/0083965 A1 4/2010 Virr et al.
 2010/0116272 A1 5/2010 Row et al.
 2010/0236552 A1 9/2010 Kwok et al.
 2011/0017212 A1 1/2011 Kenyon et al.
 2011/0023874 A1 2/2011 Bath et al.
 2011/0100363 A1 5/2011 Barclay et al.
 2011/0155132 A1 6/2011 Virr et al.
 2011/0180068 A1 7/2011 Kenyon et al.
 2011/0308520 A1 * 12/2011 McAuley A61M 16/0666
 128/203.26
 2012/0227738 A1 * 9/2012 Virr A61M 16/0051
 128/204.21
 2012/0285454 A1 11/2012 Nibu et al.
 2013/0008440 A1 1/2013 Maurer et al.
 2013/0011823 A1 1/2013 Hassanein et al.
 2013/0047987 A1 * 2/2013 Mays A61M 16/0875
 128/204.18
 2013/0206140 A1 8/2013 Kepler et al.
 2013/0239961 A1 9/2013 Ross et al.
 2013/0263854 A1 10/2013 Taylor et al.
 2013/0280055 A1 10/2013 Daly et al.
 2013/0333701 A1 * 12/2013 Herron A61M 16/0875
 128/203.27
 2014/0102452 A1 * 4/2014 Forrester A61M 16/0875
 128/204.18
 2014/0130802 A1 5/2014 Virr et al.
 2014/0158133 A1 * 6/2014 Acosta A61M 16/0666
 128/204.25
 2014/0202460 A1 7/2014 Bath et al.
 2014/0216459 A1 8/2014 Vos et al.
 2014/0246025 A1 9/2014 Cragg et al.

(56)

References Cited

U.S. PATENT DOCUMENTS

2015/0021909 A1 1/2015 Gulliver
 2015/0108670 A1* 4/2015 Magee A61M 16/0875
 261/142
 2015/0122260 A1* 5/2015 Daly A61M 16/0045
 128/204.23
 2015/0128944 A1* 5/2015 Buechi A61M 16/1065
 128/203.27
 2015/0283350 A1* 10/2015 Miller A61M 16/0825
 128/204.17
 2015/0306332 A1* 10/2015 Bafle A61M 16/0666
 128/202.27
 2016/0015558 A1* 1/2016 Bott A61M 16/0875
 165/121
 2017/0100556 A1* 4/2017 Munkelt A61M 16/0816
 2017/0100557 A1* 4/2017 Worley A61M 16/0816

FOREIGN PATENT DOCUMENTS

CN 102686282 A 9/2012
 CN 103124575 A 5/2013
 EM 001312953-0001 3/2012
 EM 001312953-0002 3/2012
 EM 001312953-0003 3/2012
 EM 001312953-0004 3/2012
 EM 001312953-0005 3/2012
 EP 1 369 141 A1 12/2003
 EP 1 741 462 A1 1/2007
 EP 2 703 034 A2 8/2013
 FR 2579896 A1 10/1986
 GB 1030840 5/1966
 GB 1364127 A 8/1974
 WO WO 98/04310 A1 2/1998
 WO WO 98/34665 A1 8/1998
 WO WO 00/78381 A1 12/2000
 WO WO 2004/073778 A1 9/2004
 WO WO 2005/063328 A1 7/2005
 WO WO 2006/019323 A1 2/2006
 WO WO 2006/074513 A1 7/2006
 WO WO 2006/130903 A1 12/2006
 WO WO 2006/133480 A1 12/2006
 WO WO 2008/095245 A1 8/2008
 WO WO 2009/052560 A1 4/2009

WO WO 2009/077045 A1 6/2009
 WO WO 2010/031126 A1 3/2010
 WO WO 2010/135785 A1 12/2010
 WO WO 2011/056080 A1 5/2011
 WO WO 2012/160477 A1 11/2012
 WO WO 2012/171072 A1 12/2012
 WO WO 2013/020167 A1 2/2013

OTHER PUBLICATIONS

“BalContact Springs Current Carrying Contact Elements DM-7, BalContact Advantages”, Bal Seal Canted Coil Spring Catalog, Report No. 621-9, 2003, Bal Seal Engineering Company, Inc., 27 pages.
 Office Action dated Jan. 29, 2016 in U.S. Appl. No. 12/461,967 (30 pages).
 Office Action dated Dec. 4, 2014 in U.S. Appl. No. 29/456,477 (9 pages).
 Office Action dated Dec. 3, 2014 in U.S. Appl. No. 29/456,458 (7 pages).
 Office Action dated Nov. 7, 2014 in Design U.S. Appl. No. 29/482,519 (5 pages).
 ResMed S9™ Series, No Other Sleep Therapy System Delivers, 2010 (12 pages).
 Philips Respironics, System One Sleep Therapy System, May 2012 (2 pages).
 Fisher & Paykel Healthcare, Icon Brochure, 2010 (2 pages).
 Fisher & Paykel Healthcare, Icon User Manual, Jan. 2010 (214 pages).
 Row et al., Design U.S. Appl. No. 29/311,222, filed Jan. 22, 2009.
 U.S. Appl. No. 29/456,458, filed May 2013, Formica et al.
 U.S. Appl. No. 29/502,152, filed Sep. 2014, Bertinetti et al.
 U.S. Appl. No. 29/480,971, filed Jan. 2014, Desvoyes et al.
 Virr et al., Design U.S. Appl. No. 29/311,183, filed Jan. 12, 2009.
 Design U.S. Appl. No. 29/443,523, filed Jan. 18, 2013.
 U.S. Appl. No. 29/482,519, filed Feb. 2014, Bath et al.
 U.S. Appl. No. 29/482,541, filed Feb. 2014, Verma et al.
 U.S. Appl. No. 29/485,313, filed Mar. 2014, Formica et al.
 U.S. Appl. No. 29/492,344, filed May 2014, Bertinetti et al.
 U.S. Appl. No. 61/838,971, filed Jun. 2013, Huby et al.
 U.S. Appl. No. 61/987,245, filed May 2014, Foote et al.

* cited by examiner

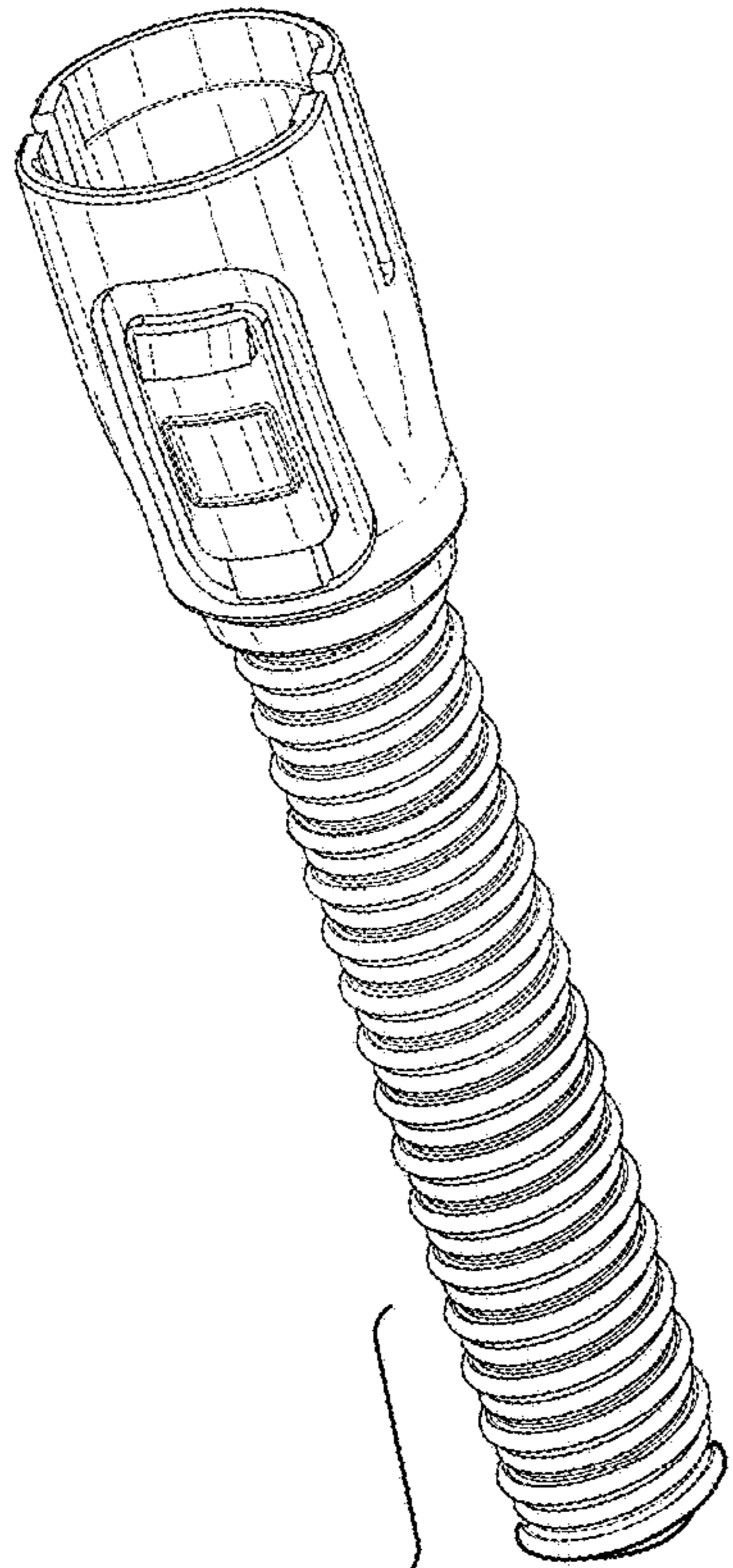


FIG. 1

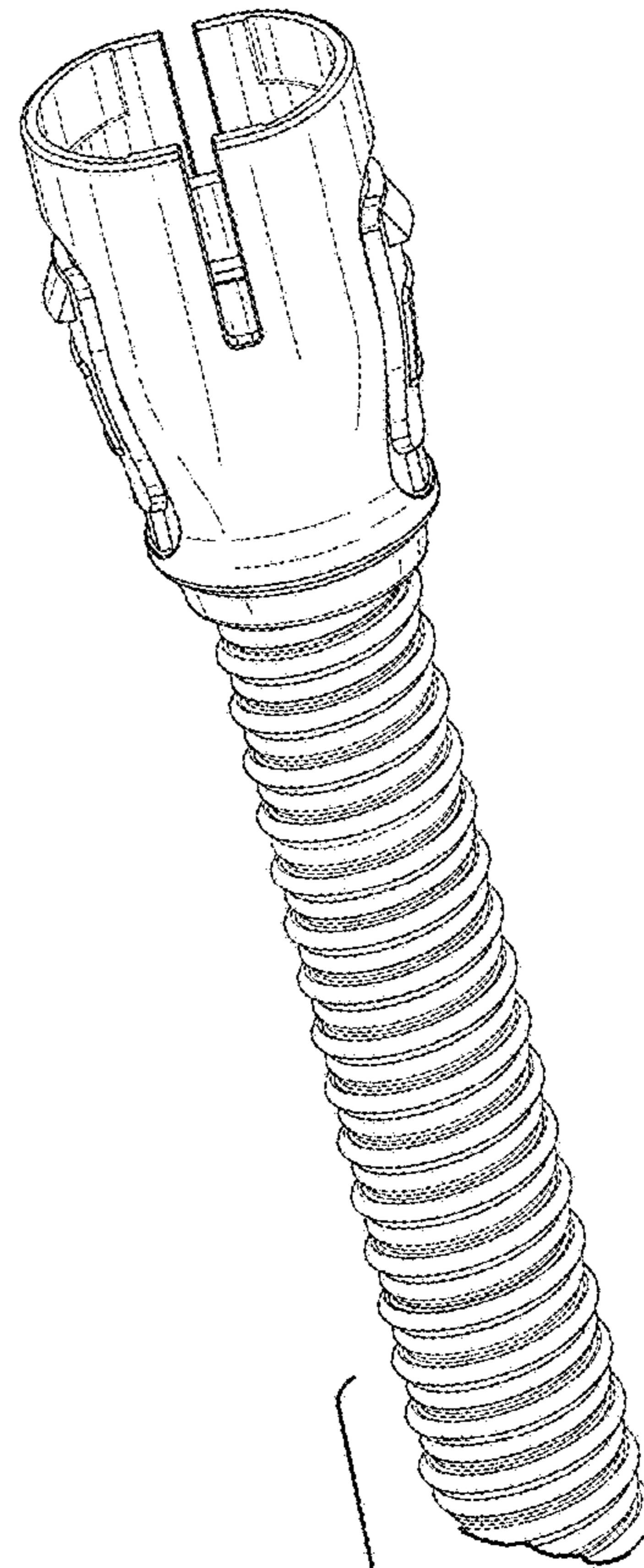
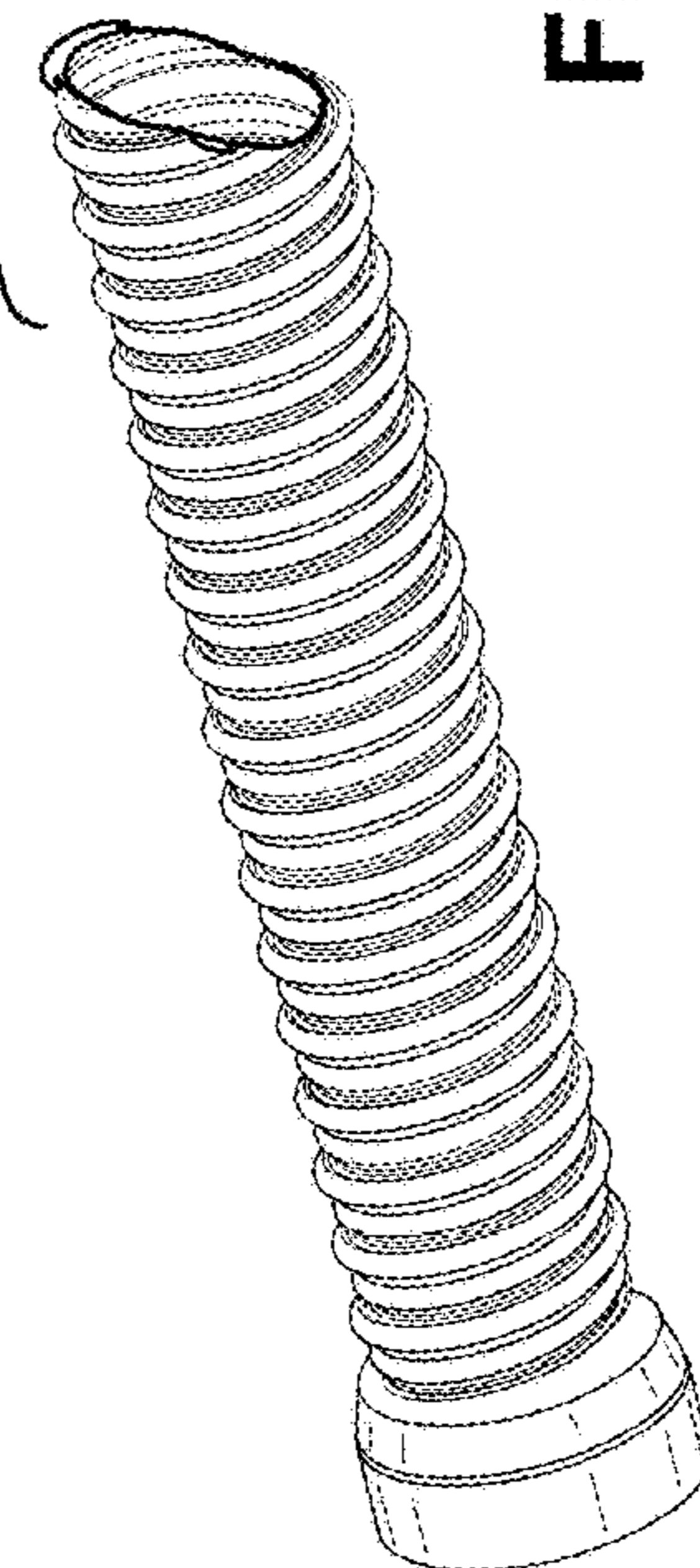
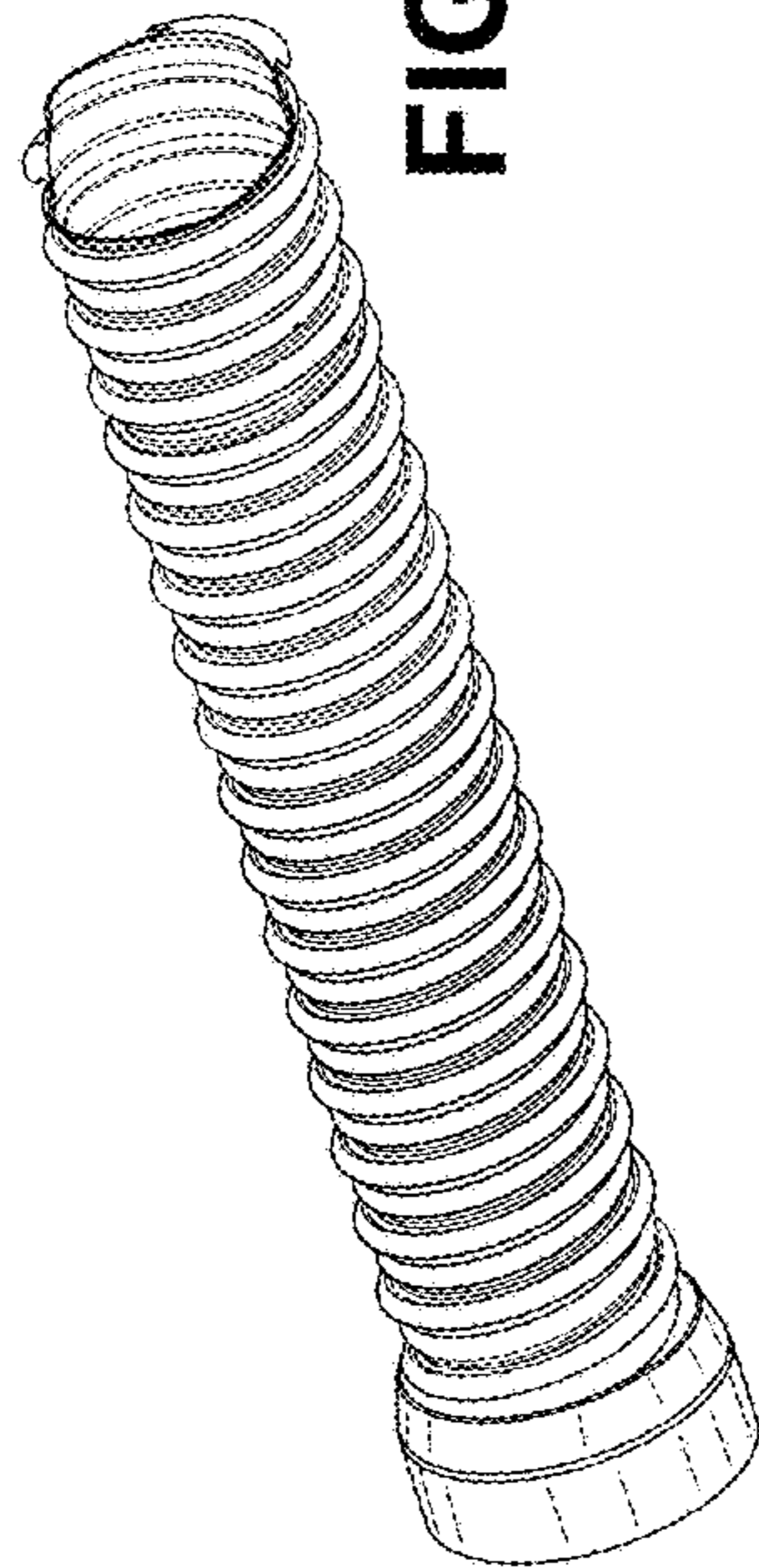


FIG. 2



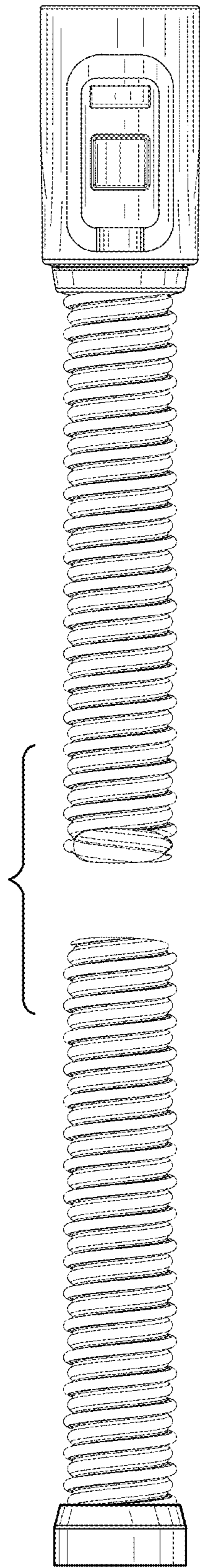


FIG. 3

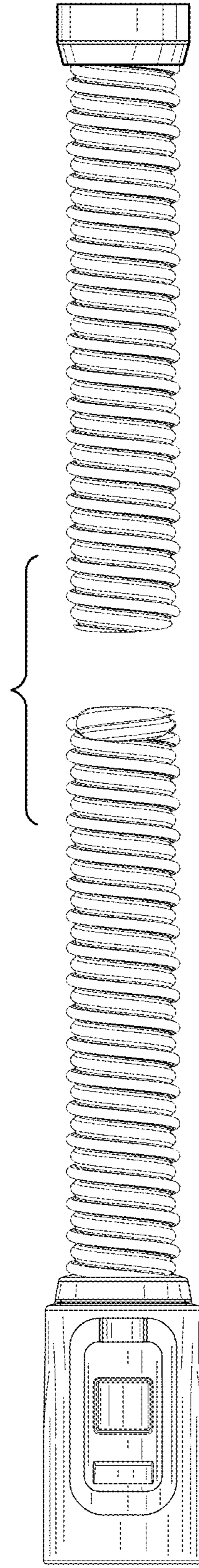


FIG. 4

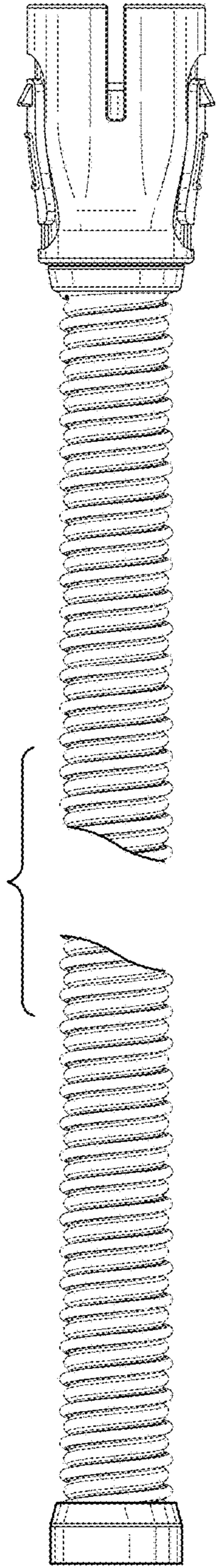


FIG. 5

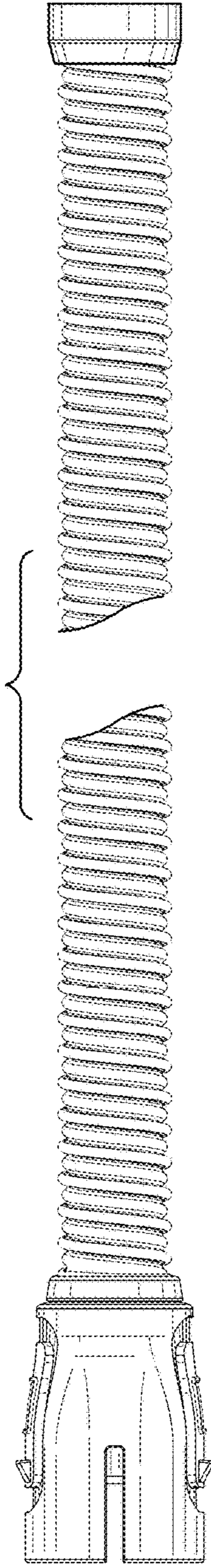


FIG. 6

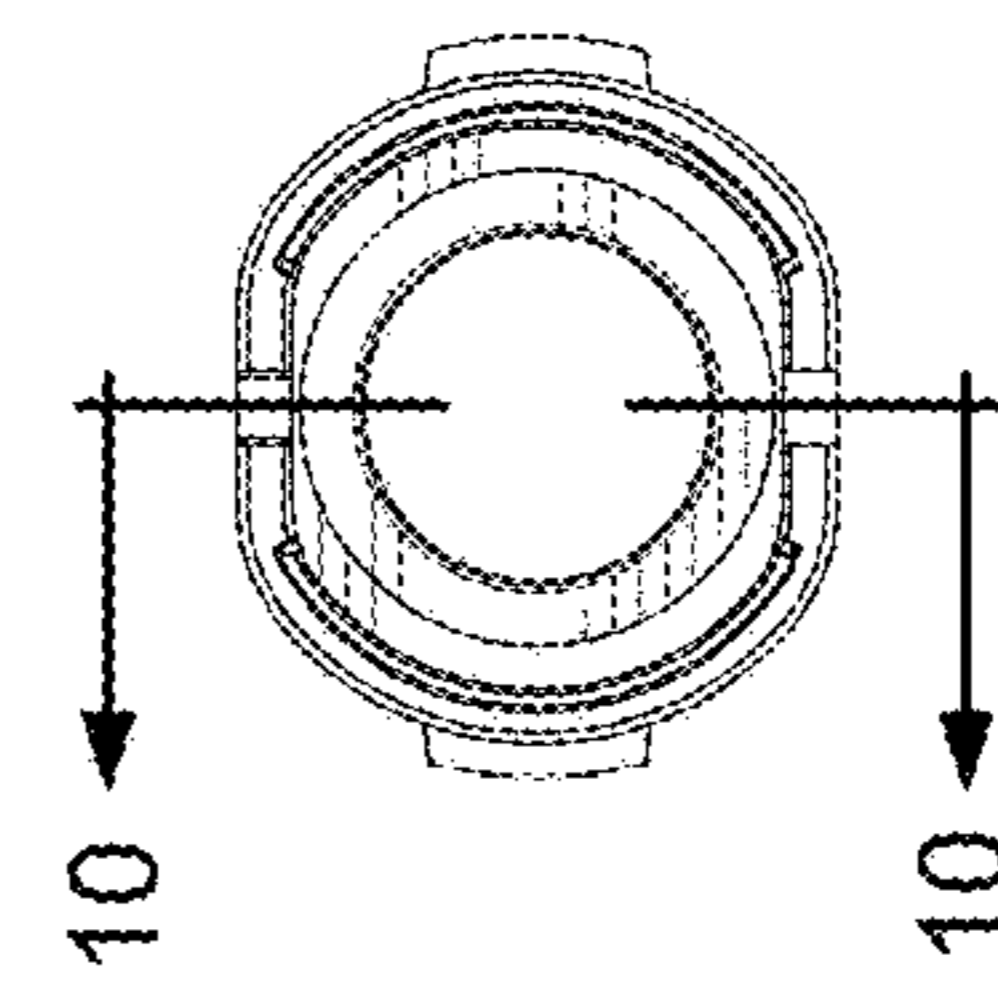


FIG. 7

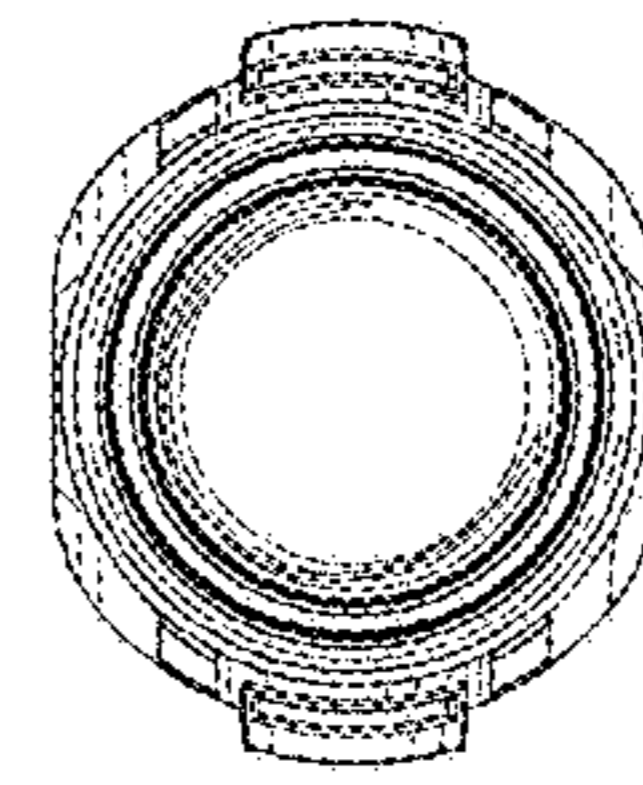


FIG. 8

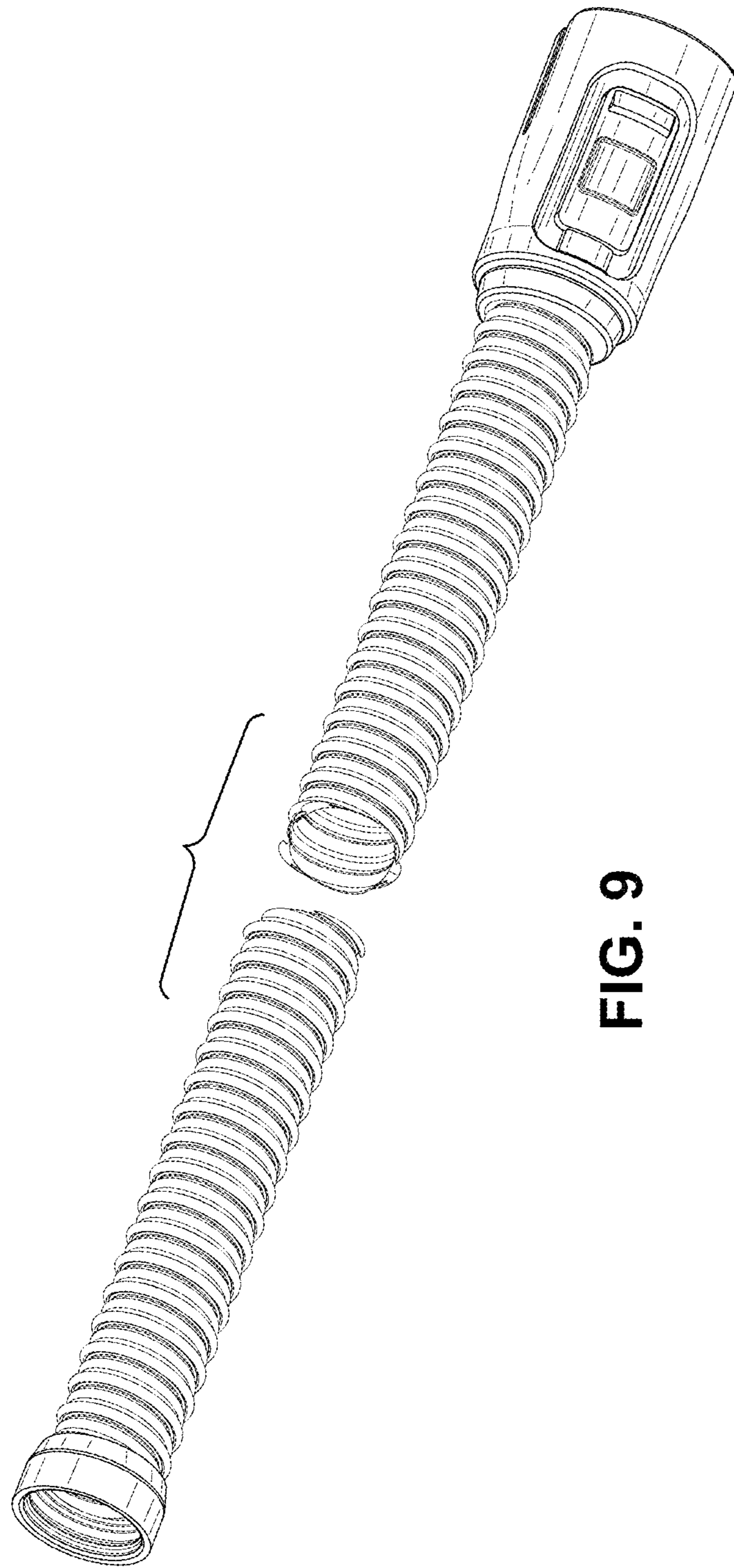


FIG. 9

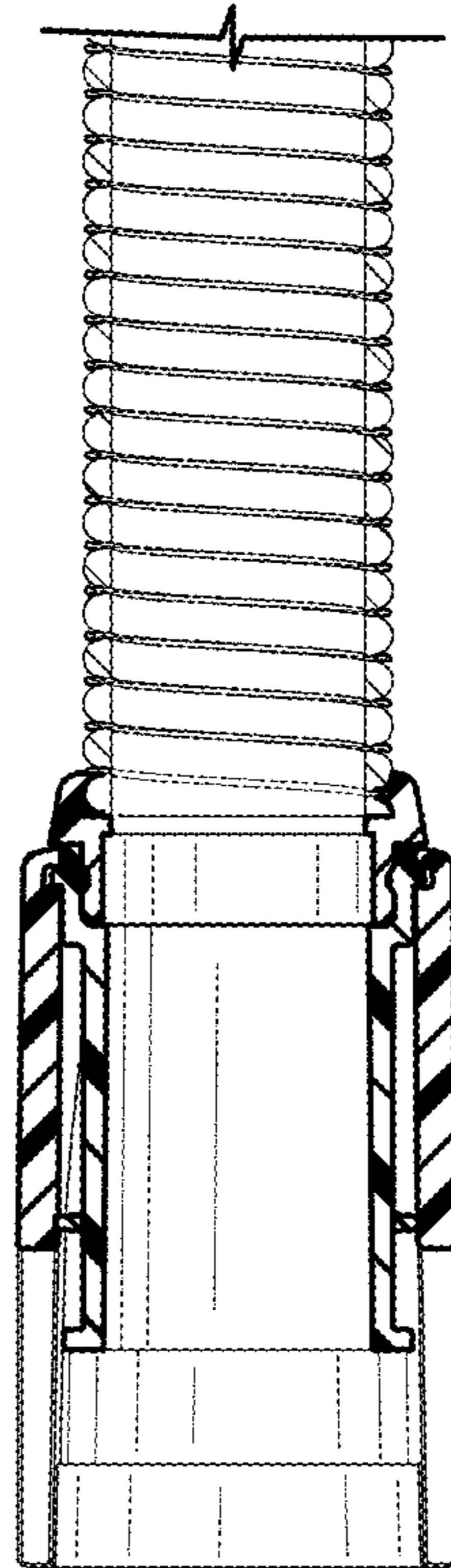


FIG. 10

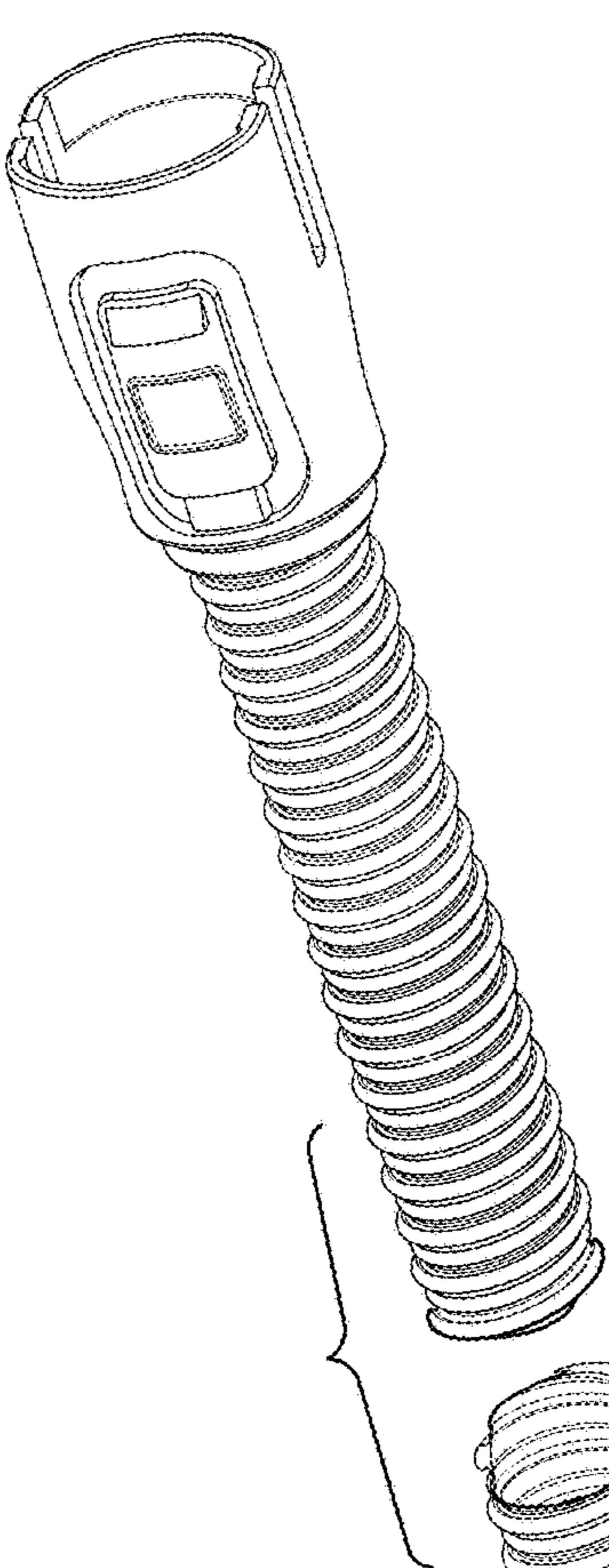


FIG. 11

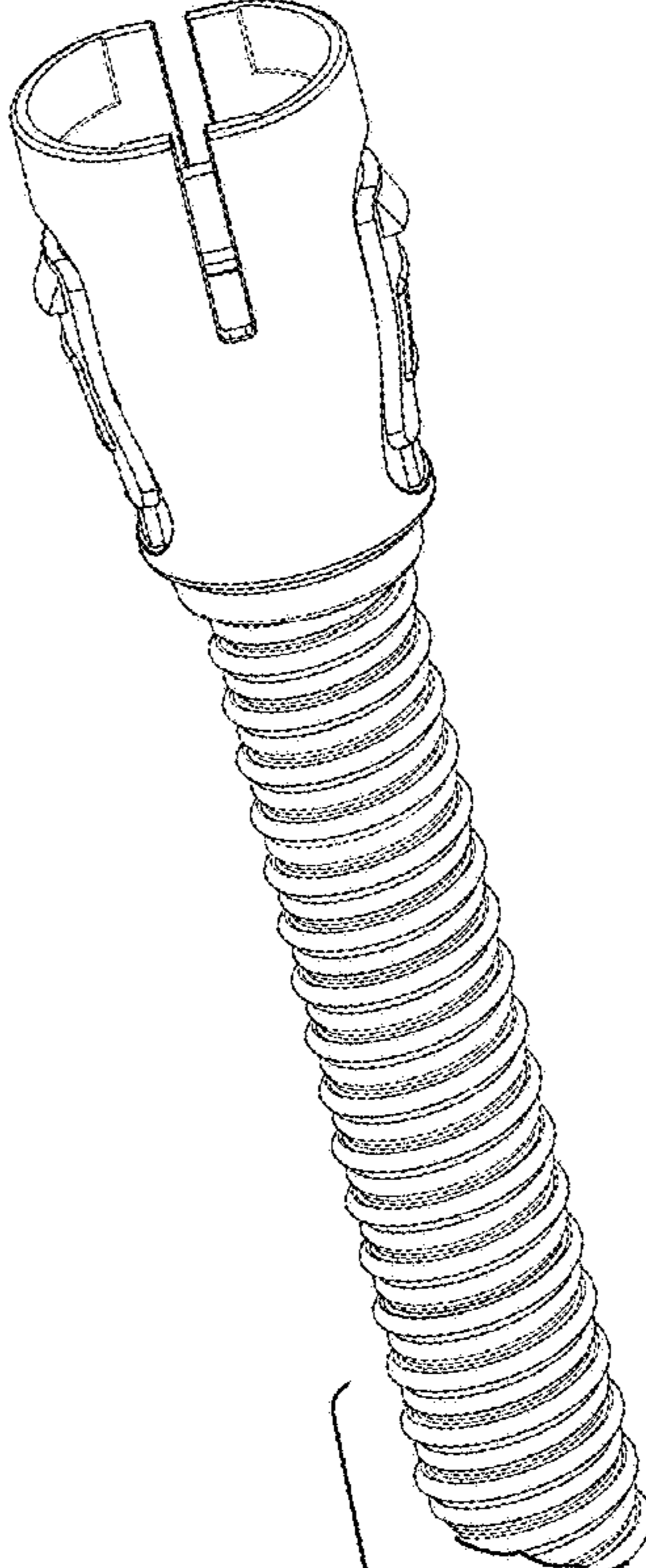
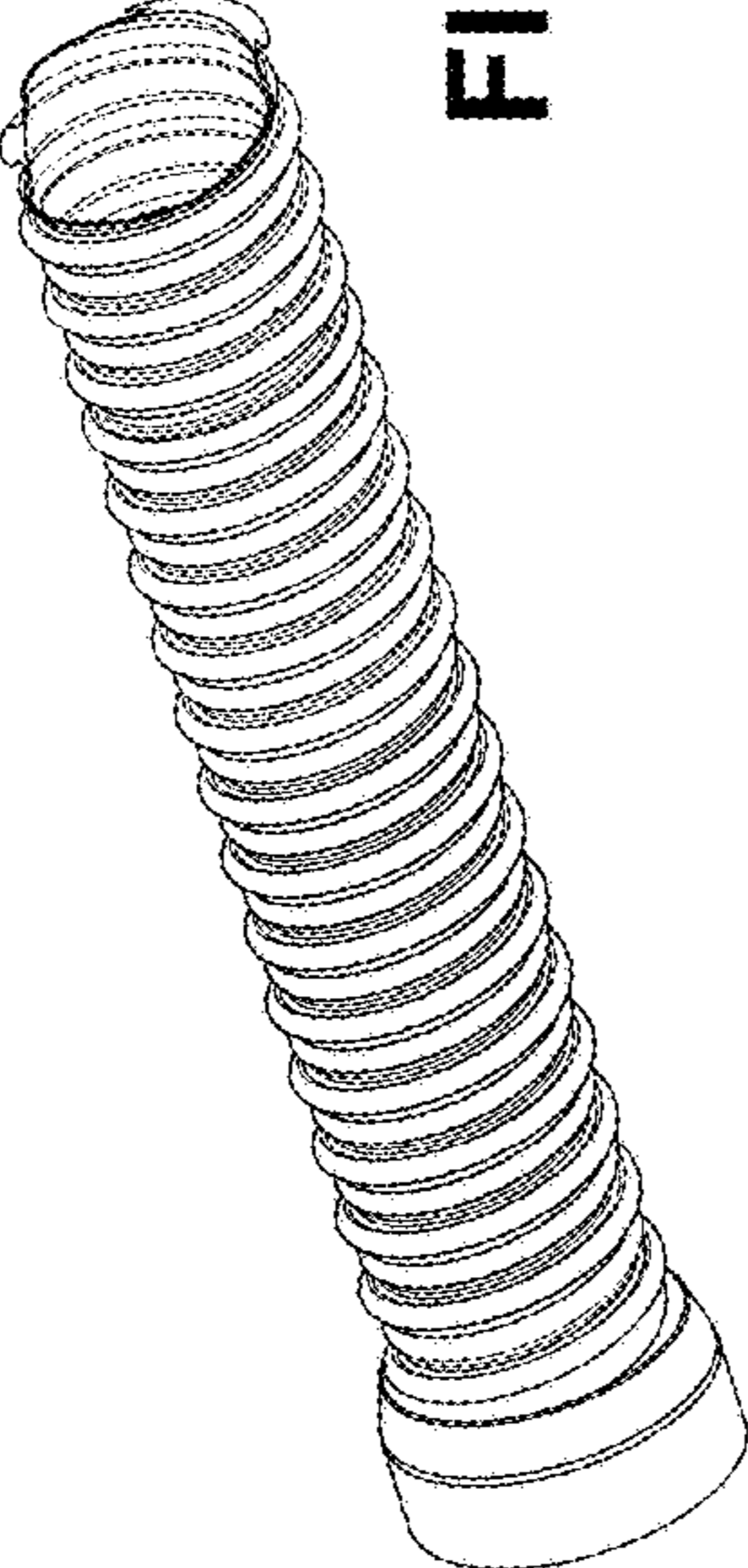
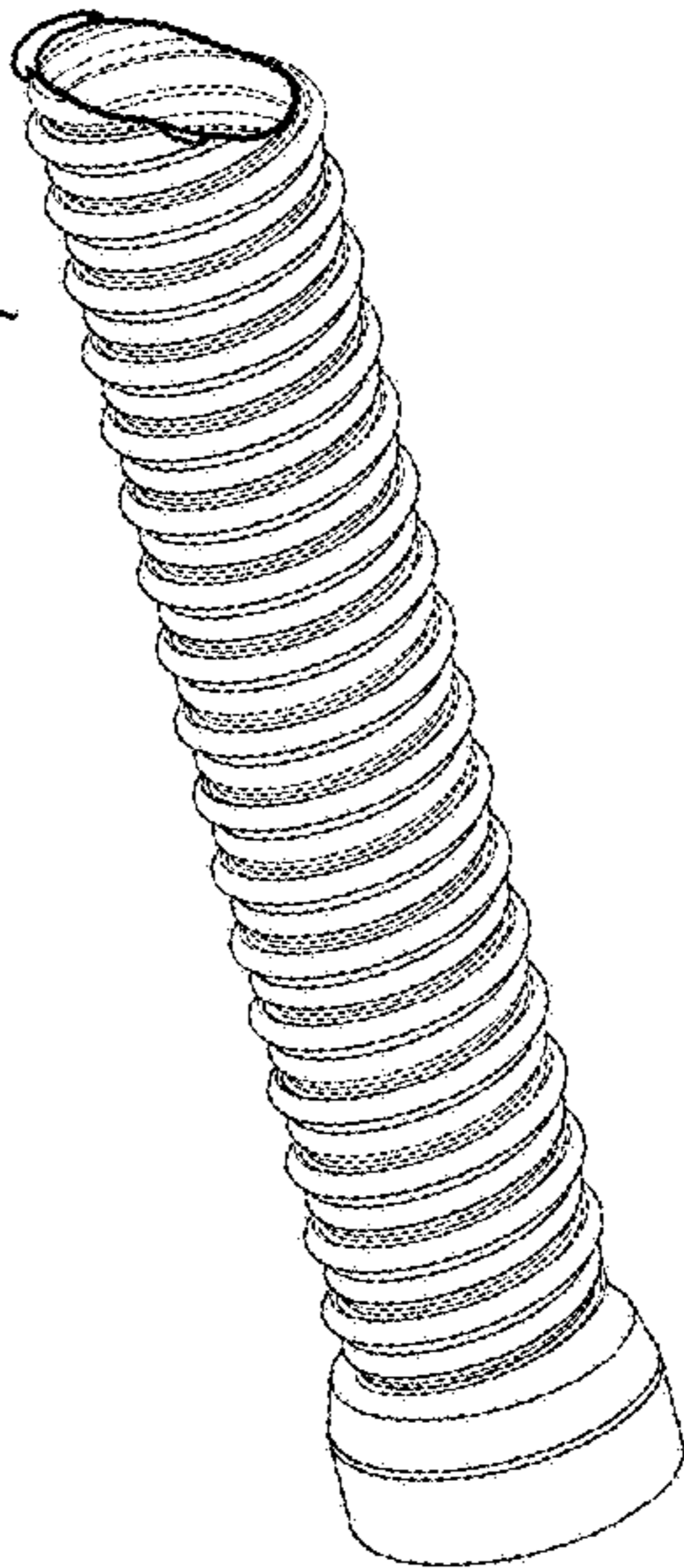


FIG. 12



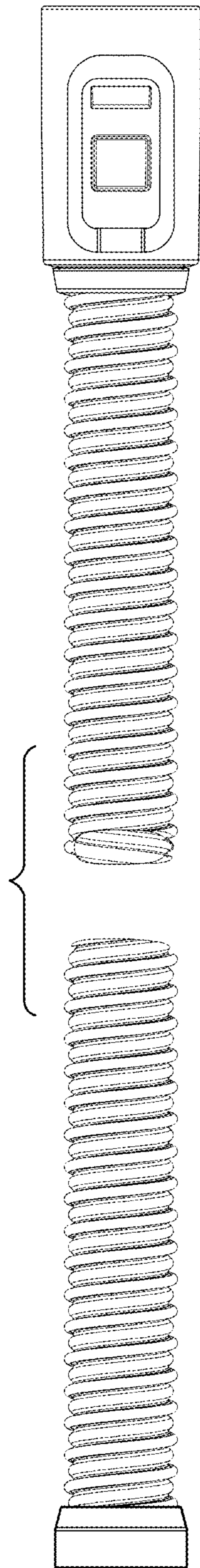


FIG. 13

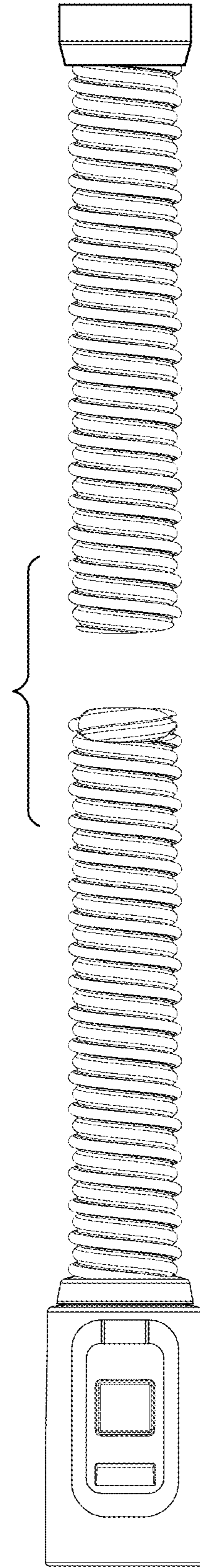


FIG. 14

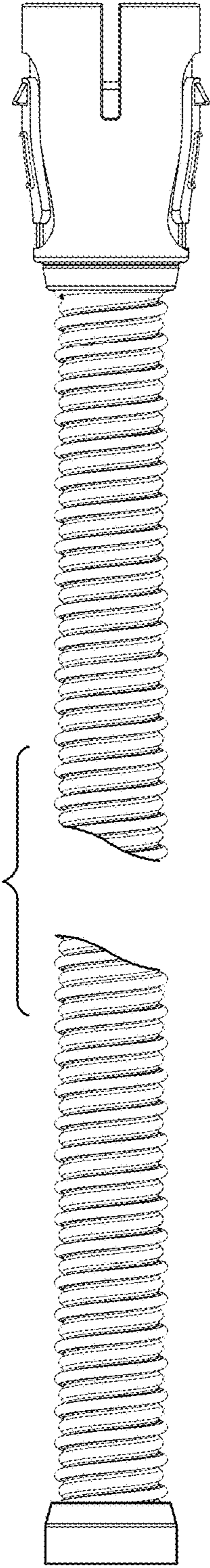


FIG. 15

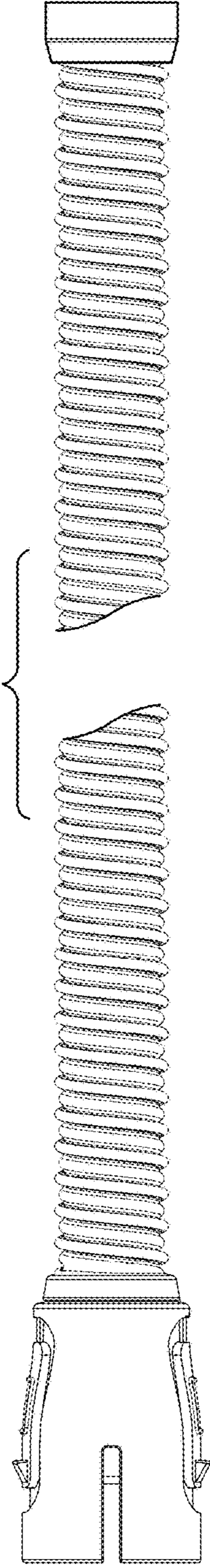


FIG. 16

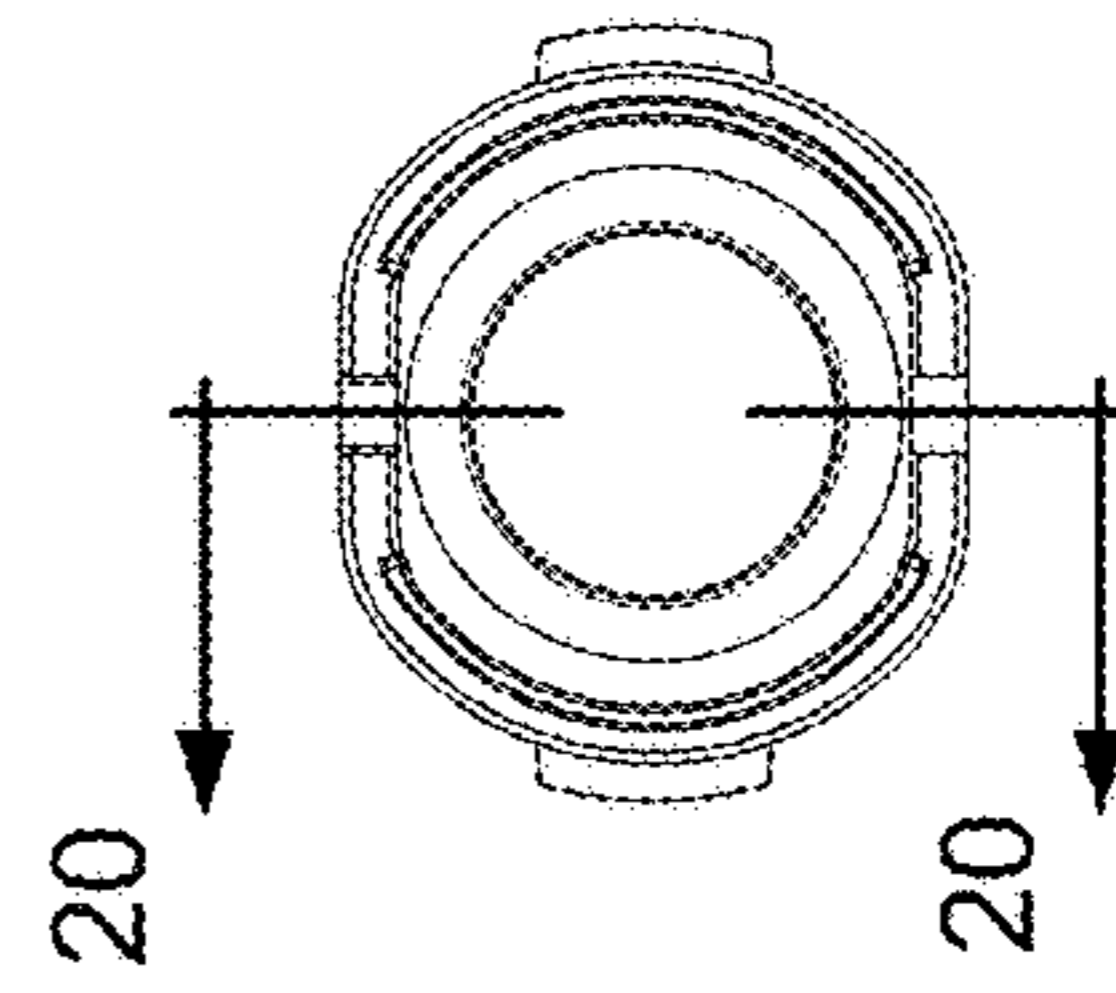


FIG. 17

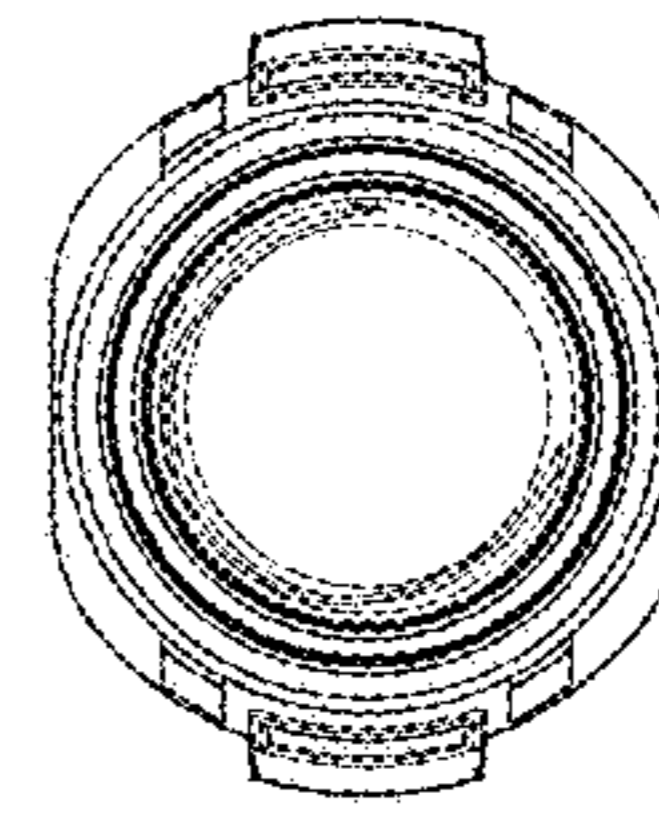


FIG. 18

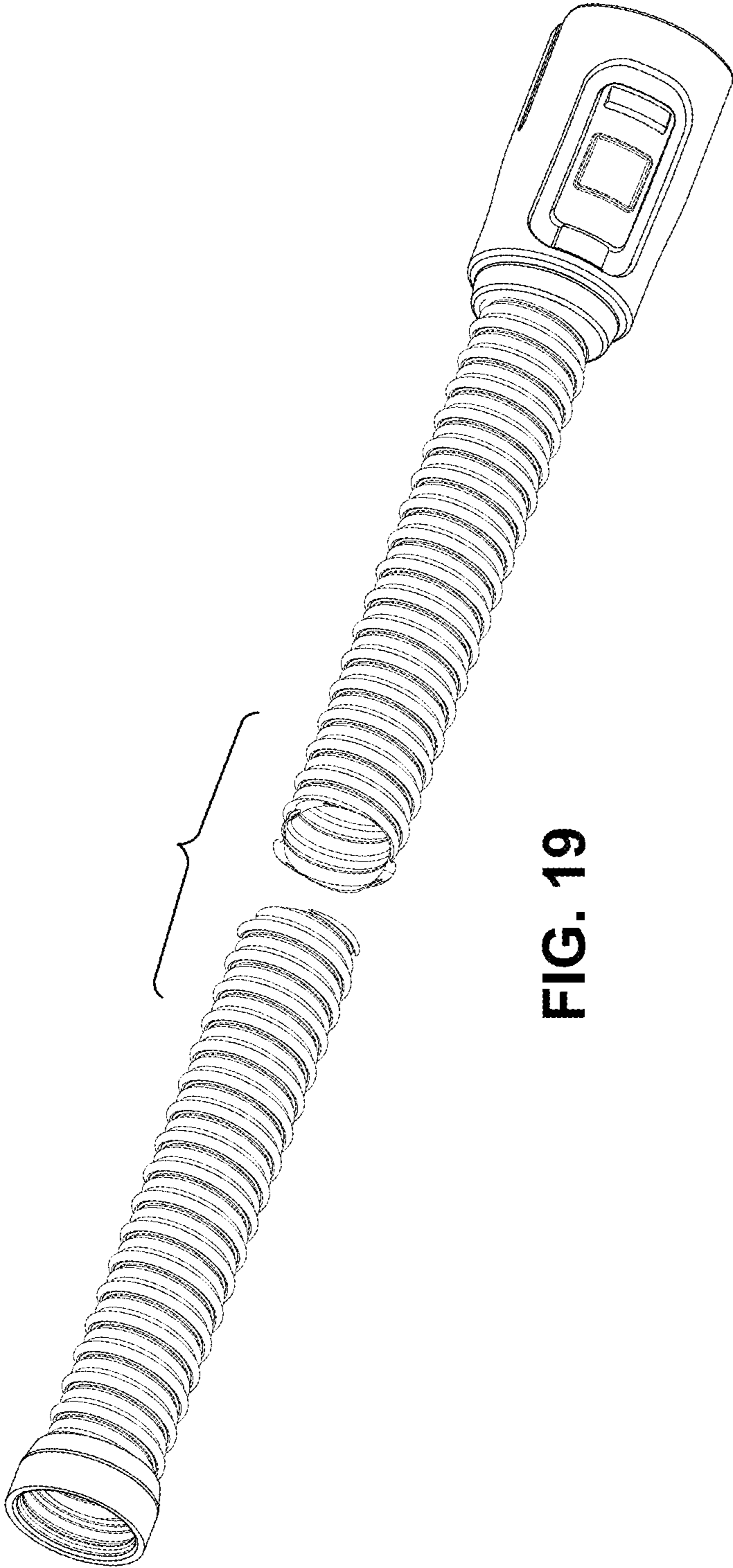


FIG. 19

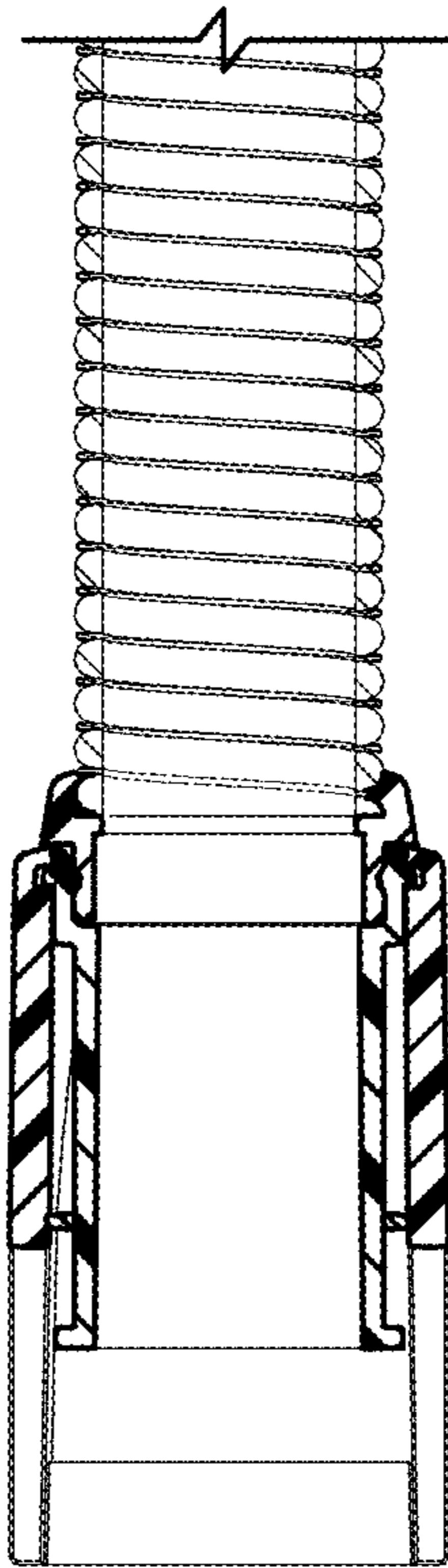


FIG. 20