

US00D805629S

(12) **United States Design Patent** (10) **Patent No.:** **US D805,629 S**  
**Fiorenza** (45) **Date of Patent:** **\*\* Dec. 19, 2017**

(54) **ADAPTOR FOR INHALED MEDICATION DELIVERY**

(71) Applicant: **Smart RS Inc.**, Ottawa (CA)

(72) Inventor: **Francesco Fiorenza**, Ottawa (CA)

(73) Assignee: **Smart RS Inc.**, Ottawa (CA)

(\*\*) Term: **15 Years**

(21) Appl. No.: **29/547,372**

(22) Filed: **Dec. 3, 2015**

(30) **Foreign Application Priority Data**

Jun. 3, 2015 (CA) ..... 162808

(51) **LOC (10) Cl.** ..... **29-02**

(52) **U.S. Cl.**  
USPC ..... **D24/110**

(58) **Field of Classification Search**  
USPC ..... D24/107, 108, 110, 110.5, 110.6, 112,  
D24/127, 129, 162, 164; D23/259, 262,  
D23/265, 266

CPC ..... A61M 15/086; A61M 15/00; A61M  
2202/064; A61M 11/001; A61M 15/009;  
A61M 11/00; A61M 16/20; A61M  
11/003; A61M 15/0088; A61M 15/006;  
A61M 16/0816

See application file for complete search history.

(56) **References Cited**

**U.S. PATENT DOCUMENTS**

2,928,392 A \* 3/1960 Burke ..... A61M 39/12  
604/412  
D381,075 S \* 7/1997 Manosalva ..... D24/112  
D437,934 S \* 2/2001 Wilkinson ..... D23/248  
D453,815 S \* 2/2002 Hoenig ..... D23/259  
D503,799 S \* 4/2005 Beck ..... D24/129  
D631,542 S \* 1/2011 DeGross ..... D24/129

D727,492 S \* 4/2015 Scampoli ..... D24/110  
D758,554 S \* 6/2016 Lohmann ..... D23/261  
2004/0089296 A1 \* 5/2004 Bowden ..... A61M 16/08  
128/203.12  
2006/0269484 A1 \* 11/2006 Knopeck ..... A61K 31/44  
424/45  
2010/0071688 A1 \* 3/2010 Dwyer ..... A61M 15/0025  
128/200.18  
2010/0300708 A1 \* 12/2010 Raphael ..... A61M 16/0477  
169/54  
2011/0056493 A1 \* 3/2011 Miller ..... A61M 15/00  
128/203.16  
2011/0197895 A1 \* 8/2011 Stephenson ..... A61M 16/0488  
128/207.14

(Continued)

**OTHER PUBLICATIONS**

Mouthpiece Adapters. Copley Scientific. Date accessed: Mar. 28, 2017. <<http://www.copleyscientific.com/home/inhaler-testing/ancillaries/mouthpiece-adapters>>.\*

(Continued)

*Primary Examiner* — Garth Rademaker  
*Assistant Examiner* — Lilyana Bekic  
(74) *Attorney, Agent, or Firm* — Servilla Whitney LLC

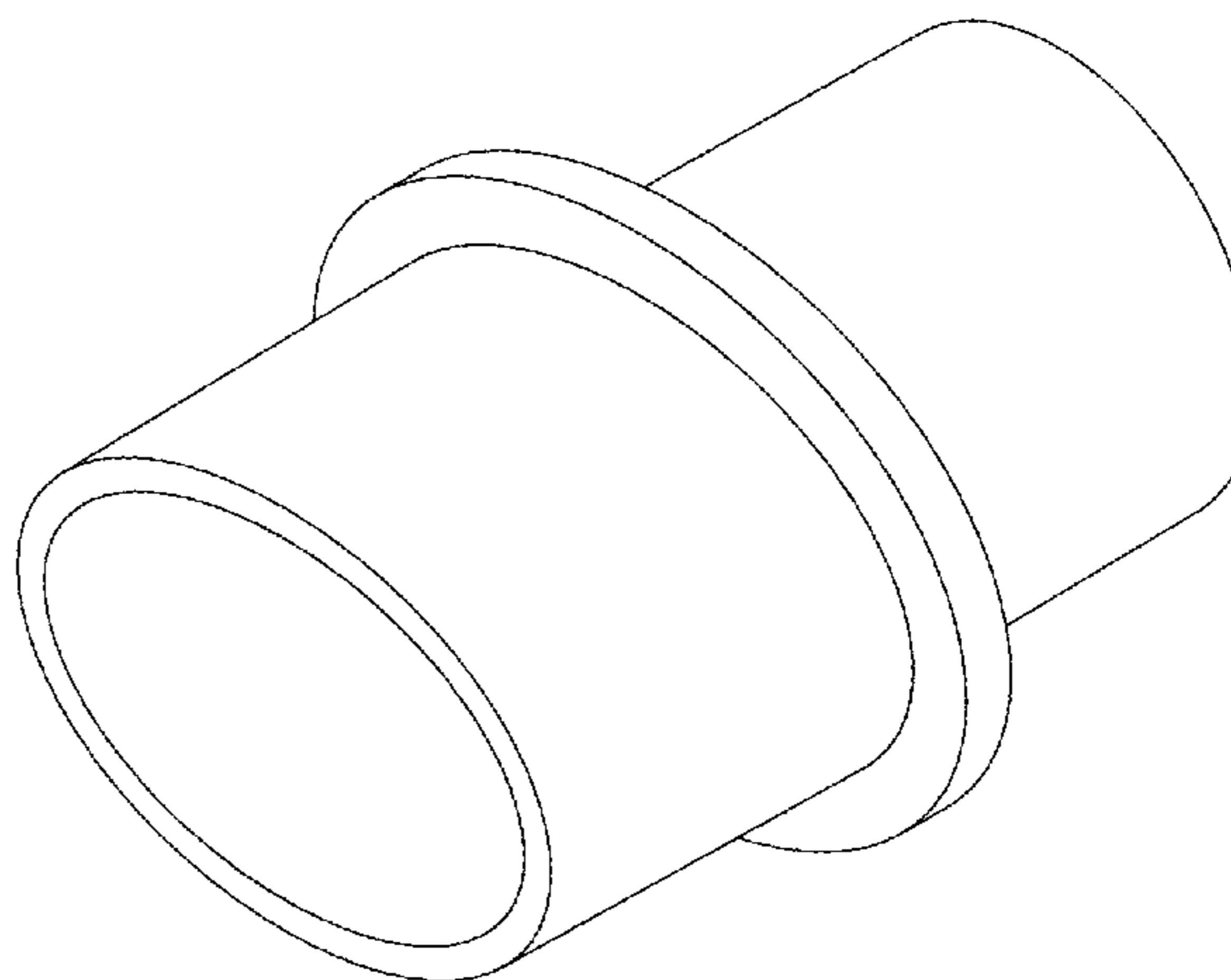
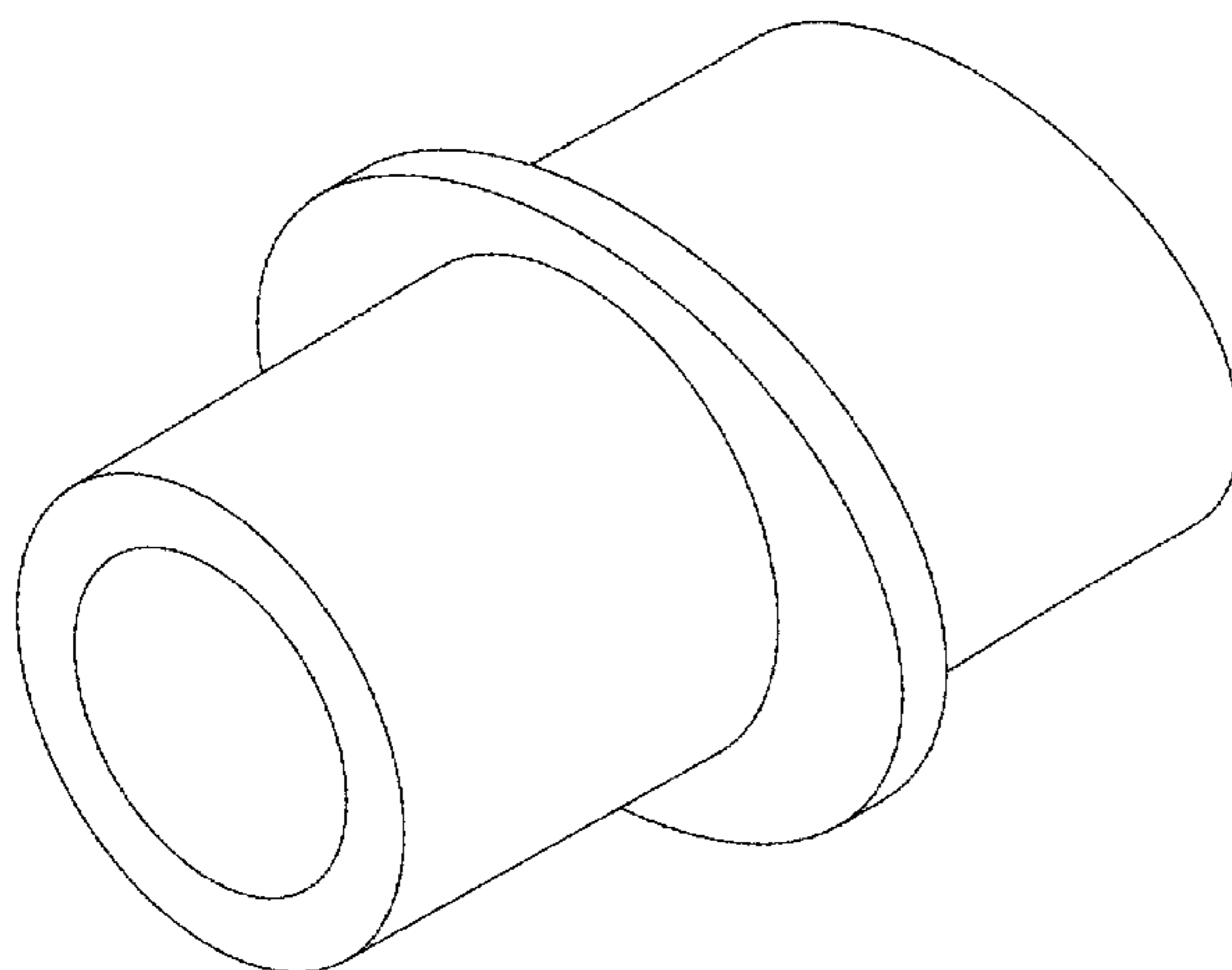
(57) **CLAIM**

The ornamental design for an adaptor for inhaled medication delivery, substantially as shown and described.

**DESCRIPTION**

FIG. 1 is a right side perspective view of an adaptor for inhaled medication delivery showing the new design; FIG. 2 is a left side perspective view thereof; FIG. 3 is a left side view thereof; FIG. 4 is a right side view thereof; and, FIG. 5 is a front view thereof. Portions shown in broken lines form no part of the claimed design.

**1 Claim, 5 Drawing Sheets**



(56)

**References Cited**

U.S. PATENT DOCUMENTS

2012/0285452 A1\* 11/2012 Amirav ..... A61M 16/0825  
128/203.29  
2013/0296653 A1\* 11/2013 Brown ..... A61M 16/06  
600/114  
2014/0008910 A1\* 1/2014 Prizant ..... F16L 27/0849  
285/147.1  
2014/0338669 A1\* 11/2014 Zhao ..... A61M 16/085  
128/204.18  
2014/0358022 A1\* 12/2014 Sansom ..... A61M 16/0816  
600/537  
2015/0202398 A1\* 7/2015 Fiorenza ..... A61M 16/0875  
128/203.12  
2016/0184545 A1\* 6/2016 Kauppi ..... A61M 16/0816  
128/202.27  
2016/0236197 A1\* 8/2016 Strathmann ..... B01L 3/50853  
2016/0317832 A1\* 11/2016 Barneck ..... A61N 5/0603

OTHER PUBLICATIONS

In-Check Dial G16. Clement Clark International. Date accessed:  
Mar. 28, 2017. <<https://www.haag-streit.com/clement-clarke/products/inhaler-technique/in-check-dial-g16/>>.\*

U-Adapt Oxygen Enrichment Connector Adaptor for CPAP &  
BIPAP Machines. Direct Home Medical. Date reviewed: Apr. 6,  
2012. <<http://www.directhomemedical.com/004204-uadapt-oxygen-enrichment-adapter.html>>.\*

\* cited by examiner

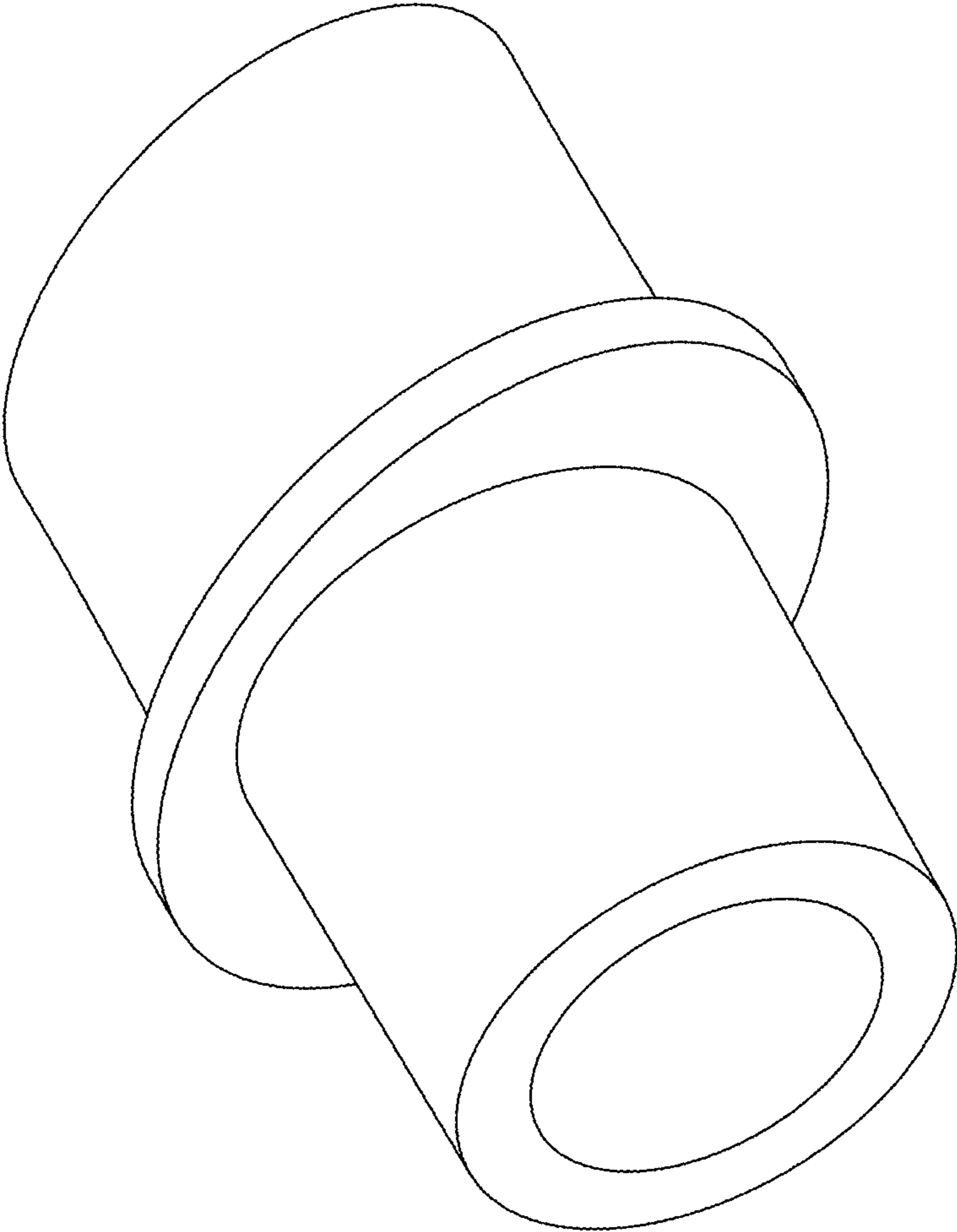


FIG. 1

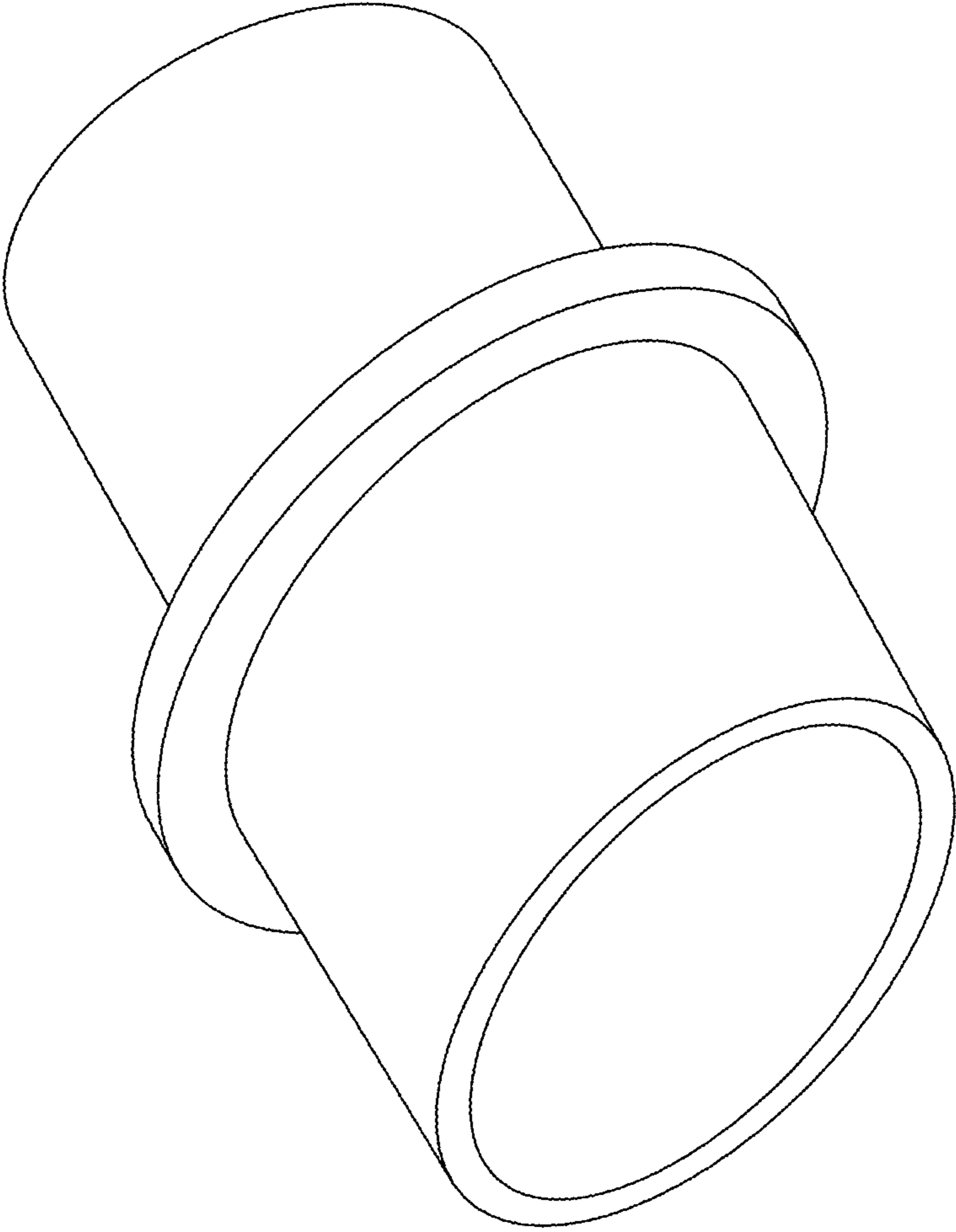


FIG. 2

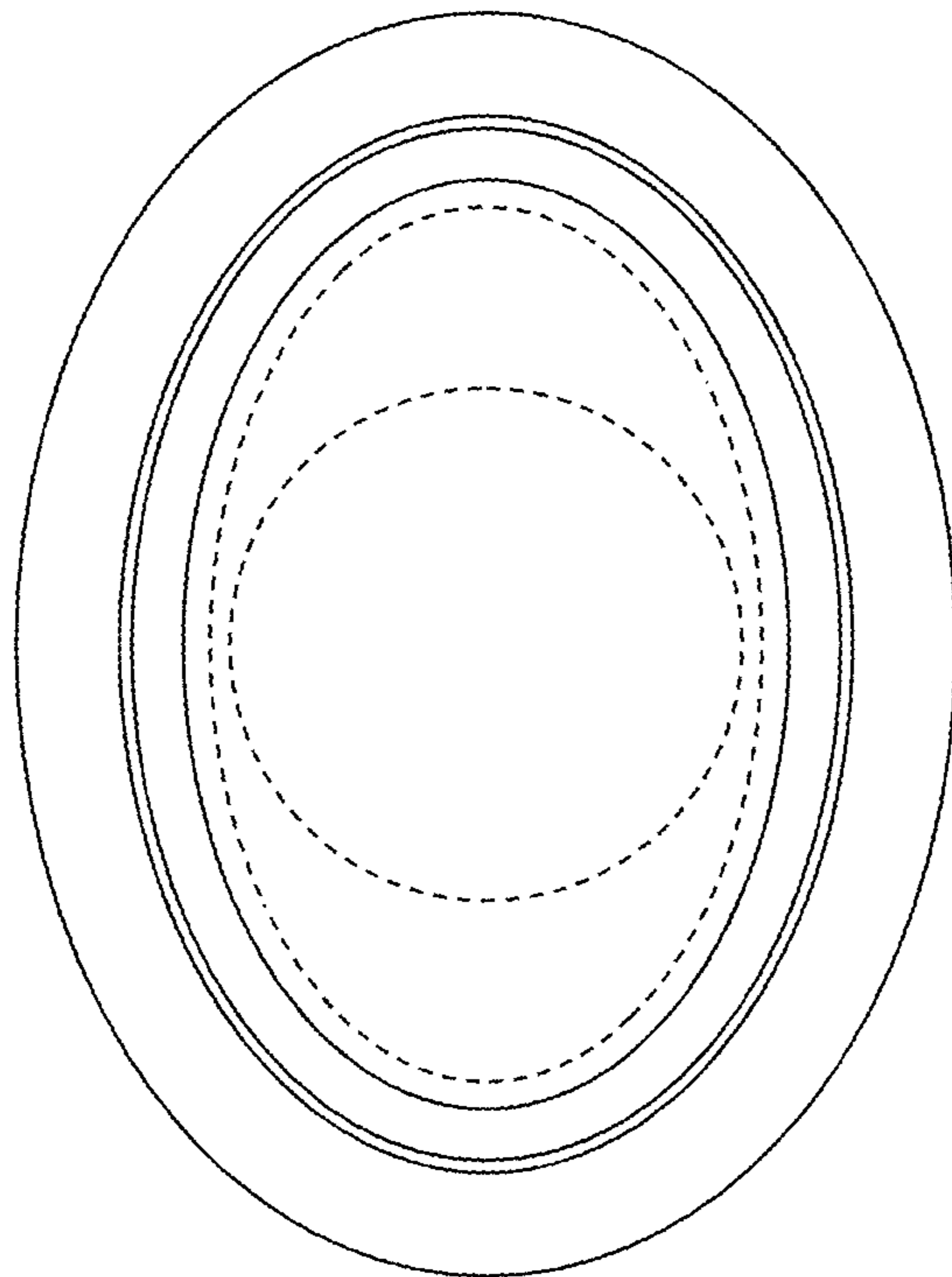


FIG. 3

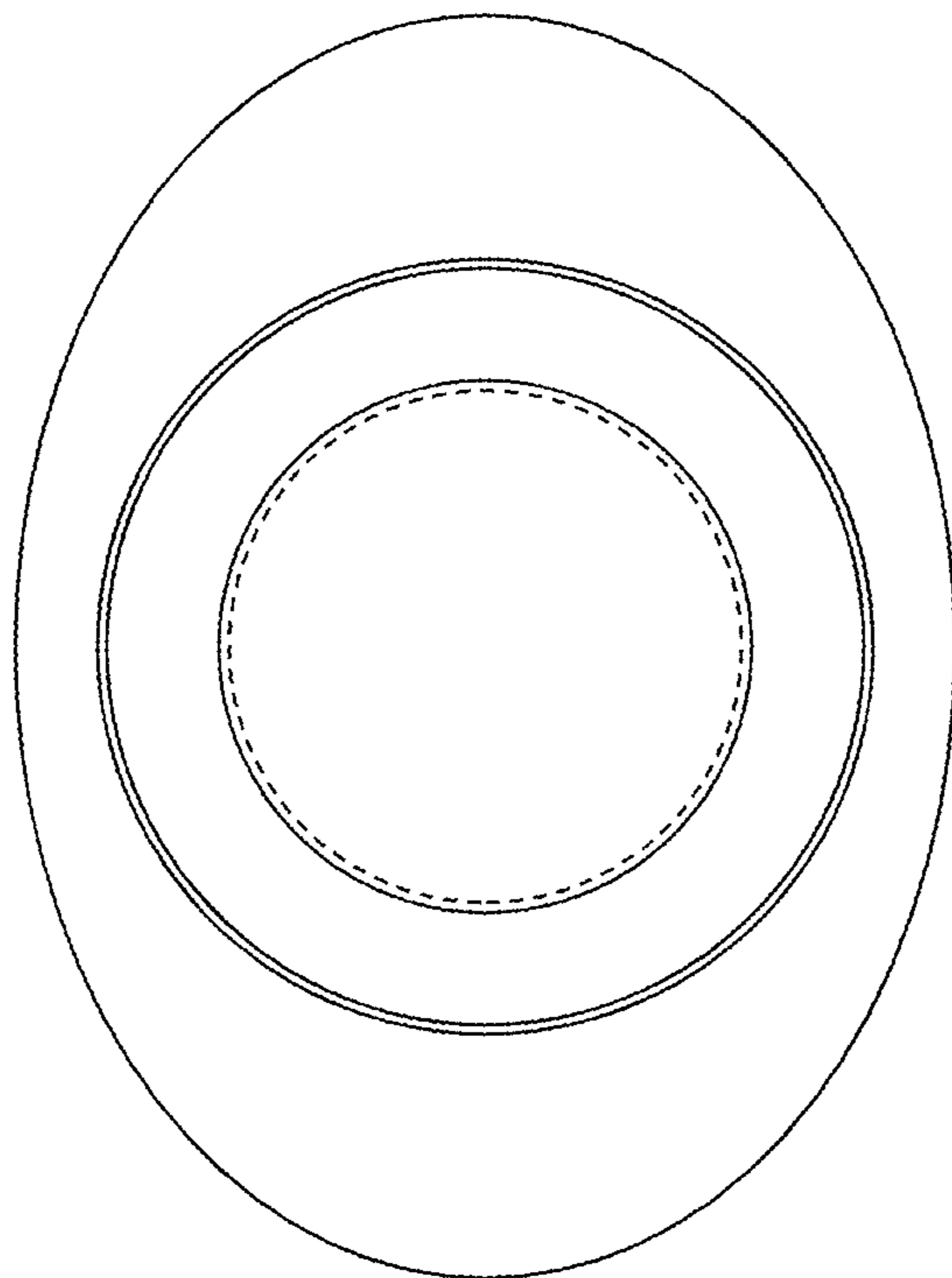


FIG. 4

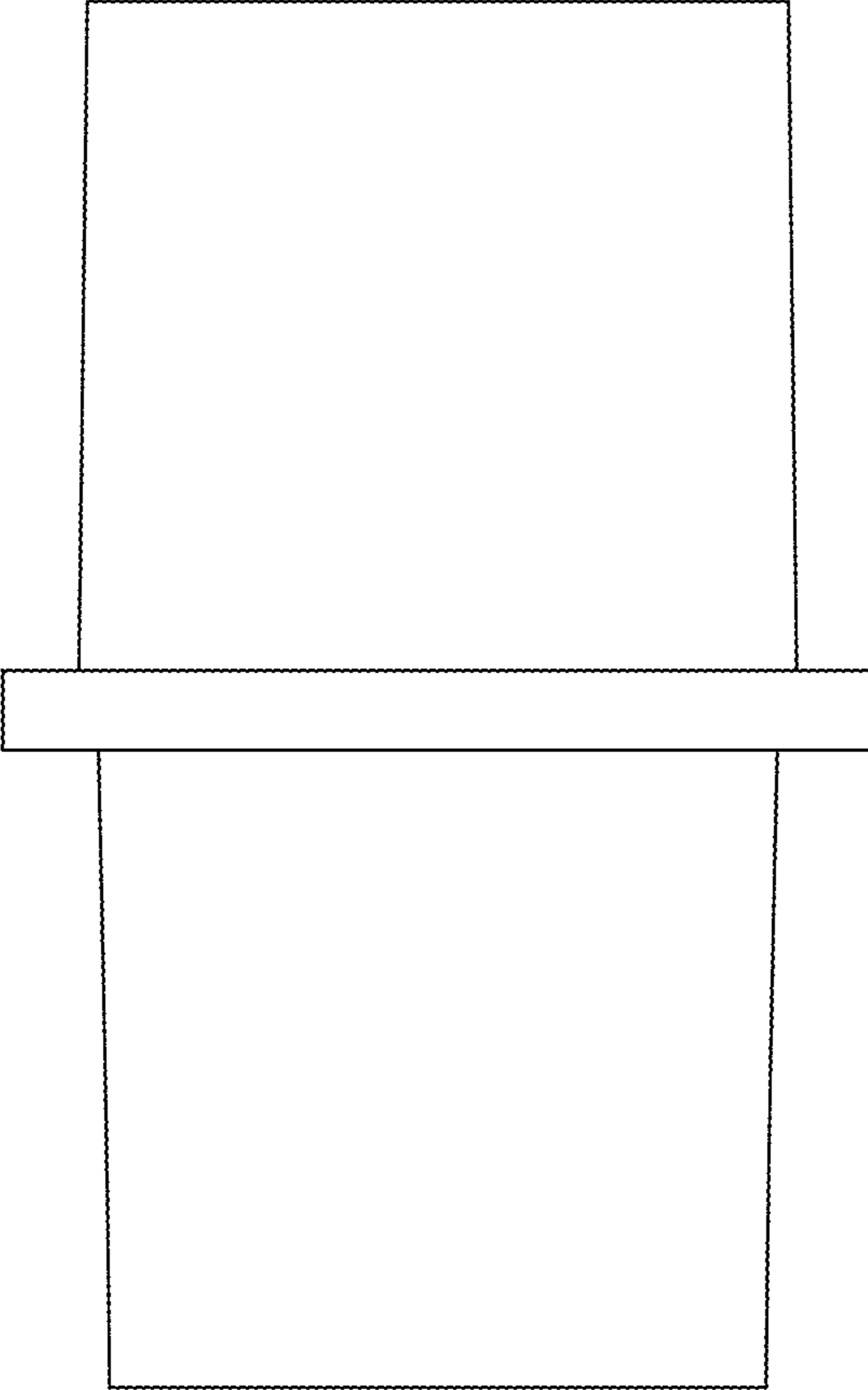


FIG. 5