



US00D805627S

(12) **United States Design Patent** (10) **Patent No.:** **US D805,627 S**
Green et al. (45) **Date of Patent:** **** Dec. 19, 2017**

(54) **VENT COVER**
(71) Applicants: **Ernest Green**, Annville, PA (US);
Ryan McConnell, Annville, PA (US)
(72) Inventors: **Ernest Green**, Annville, PA (US);
Ryan McConnell, Annville, PA (US)
(73) Assignee: **Montgomery Patent and Design, LP.**

5,141,707 A 8/1992 Brite
D330,248 S * 10/1992 Chagnot D23/330
D338,060 S * 8/1993 Solie D23/388
5,368,822 A 11/1994 McNeil
D371,836 S * 7/1996 Coble D23/329
5,547,636 A 8/1996 Vick et al.
D376,006 S * 11/1996 Smolarski D23/388
D378,851 S * 4/1997 Smolarski D23/388
D378,852 S * 4/1997 Smolarski D23/388
5,863,310 A * 1/1999 Brown B01D 46/0005
454/284
6,165,419 A 12/2000 Bullock et al.
D486,724 S * 2/2004 Bently D8/354

(**) Term: **15 Years**
(21) Appl. No.: **29/548,984**

(22) Filed: **Dec. 18, 2015**
(51) **LOC (10) Cl.** **23-04**
(52) **U.S. Cl.**
USPC **D23/388**; D23/393
(58) **Field of Classification Search**
USPC D23/387, 388, 385, 386, 393, 397;
D6/703; D8/400; D25/48.3
CPC .. F23M 7/04; F24F 12/00; F24F 13/00; F24F
13/0227; F24F 13/0236
See application file for complete search history.

(Continued)

OTHER PUBLICATIONS

Heavy Duty Contemporary Steel Floor Register, image post date Mar. 3, 2014, site visited Jun. 11, 2017, (online), <<http://www.signaturehardware.com/heavy-duty-contemporary-steel-floor-register-with-louvers.html>>.*

(Continued)

Primary Examiner — Kevin Rudzinski
Assistant Examiner — Sean D Lough
(74) *Attorney, Agent, or Firm* — Robert C. Montgomery;
Montgomery Patent & Design, LP.

(56) **References Cited**
U.S. PATENT DOCUMENTS

943,298 A * 12/1909 Brown F24F 13/08
454/332
2,194,137 A * 3/1940 Copersito E06B 7/02
454/195
2,587,633 A * 3/1952 Bayre F24F 13/08
454/289
2,652,133 A * 9/1953 Leigh F24F 13/08
454/330
3,391,629 A * 7/1968 Snell F24F 13/075
454/290
3,403,615 A * 10/1968 Dayus F24F 13/06
454/309
4,487,113 A * 12/1984 West F24F 13/08
228/135
4,604,114 A 8/1986 Ward

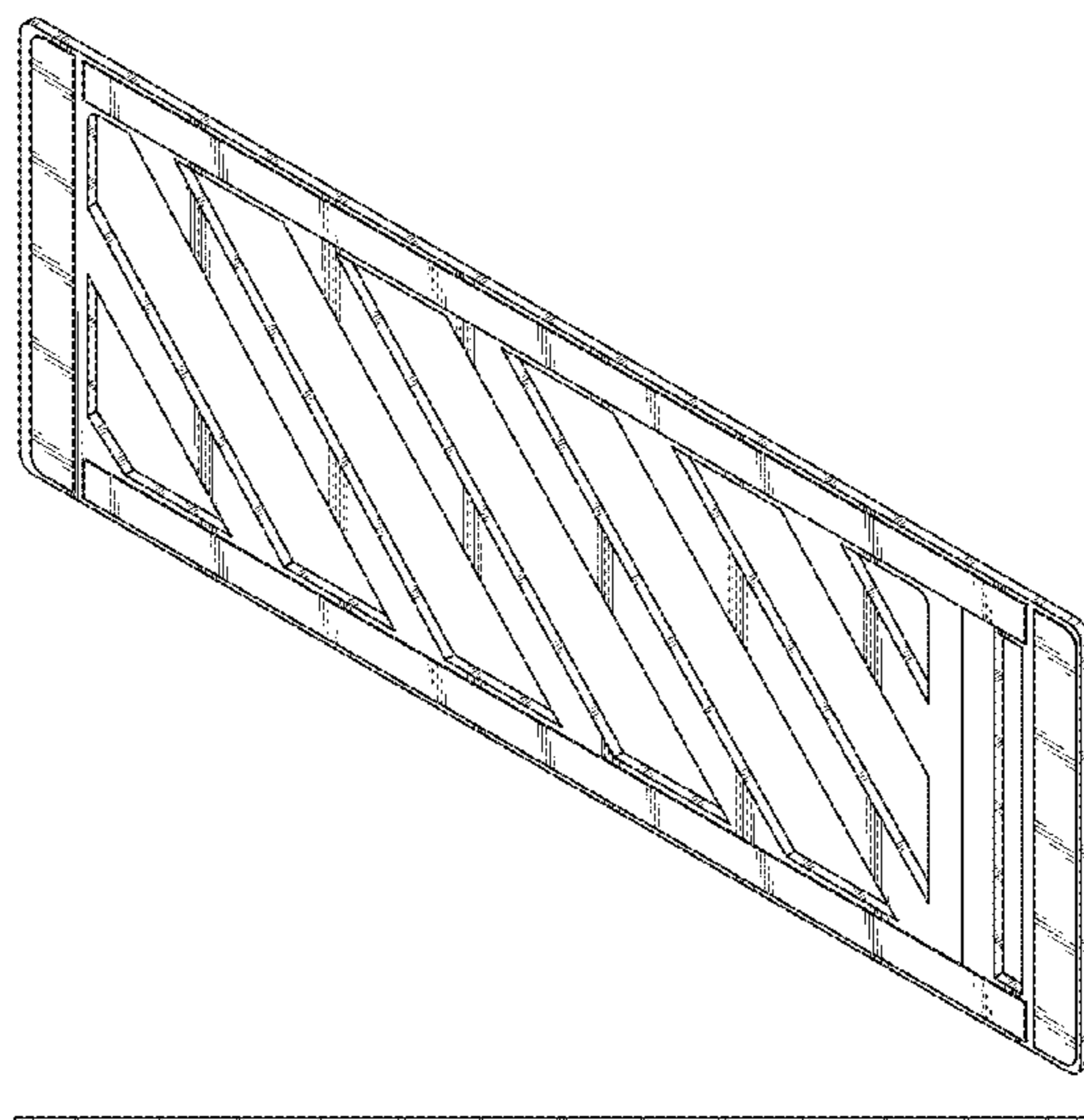
(57) **CLAIM**

The ornamental design for a vent cover, as shown and described.

DESCRIPTION

FIG. 1 is a perspective front side view of the vent cover, showing our new design;
FIG. 2 is a front view thereof;
FIG. 3 is a rear view thereof;
FIG. 4 is a top view thereof, wherein a bottom view is a mirror image thereof; and,
FIG. 5 is a left side view thereof, wherein a right side view is a mirror image thereof.

1 Claim, 2 Drawing Sheets



(56)

References Cited

U.S. PATENT DOCUMENTS

D510,765 S * 10/2005 Cooper D23/393
 D517,191 S * 3/2006 Berger D23/388
 D519,626 S * 4/2006 Oosterhuis D23/388
 D522,125 S * 5/2006 Oosterhuis D23/388
 D608,439 S * 1/2010 Mair D23/388
 D609,327 S * 2/2010 Mair D23/388
 8,016,921 B2 9/2011 Hassell et al.
 8,017,006 B2 * 9/2011 Lopez E03F 1/00
 210/163
 D687,524 S * 8/2013 Heiser D23/261
 D701,952 S * 4/2014 Hoshino D23/388
 D717,595 S * 11/2014 Knoll D7/402
 D717,741 S * 11/2014 Baldwin D13/155
 D721,424 S * 1/2015 Bernoti D23/260
 D721,795 S * 1/2015 Bernoti D23/260
 D722,139 S * 2/2015 Bernoti D23/260
 D722,365 S * 2/2015 Bernoti D23/259
 D726,336 S * 4/2015 Kulujian D25/48.3
 D726,337 S * 4/2015 Doyle D25/48.3
 D733,664 S * 7/2015 Baldwin D13/155
 D735,954 S * 8/2015 Ganahl D30/119
 D738,484 S * 9/2015 Carroll D23/388
 D738,485 S * 9/2015 Carroll D23/388
 D738,486 S * 9/2015 Carroll D23/388
 D738,999 S * 9/2015 Funnell, II D23/365
 D739,002 S * 9/2015 Carroll D23/388

D739,003 S * 9/2015 Carroll D23/388
 D739,004 S * 9/2015 Carroll D23/388
 D761,972 S * 7/2016 Kahlig D25/138
 D762,297 S * 7/2016 Carroll D23/388
 D763,431 S * 8/2016 Carroll D23/388
 D763,432 S * 8/2016 Carroll D23/388
 D765,604 S * 9/2016 Baldwin D13/155
 D774,637 S * 12/2016 Carroll D23/388
 D776,249 S * 1/2017 Carroll D23/388
 D779,051 S * 2/2017 Carroll D23/388
 2010/0227545 A1 9/2010 Frois
 2012/0234175 A1 9/2012 Sanchez

OTHER PUBLICATIONS

Regras da ABNT, image post date Aug. 26, 2015, site visited Jun. 19, 2017, (online), <https://www.tineye.com/search/a05124ccf64be0c5dbfa0eefaf8775ac3f03a599/?sort=crawl_date&order=asc>.*
 Pattern Cut Designer Wall Grilles, image post date Oct. 18, 2014, site visited Jun. 19, 2017, (online), <<https://web.archive.org/web/20141018153219/http://www.floorregisters-n-vents.com/Pattern-Cut-Designer-Wall-Grilles.html>>.*
 Xbox One grille, image post date Nov. 21, 2013, site visited Jun. 19, 2017, (online), <<http://www.ifixit.com/Teardown/Xbox+One+Teardown/19718>>.*

* cited by examiner

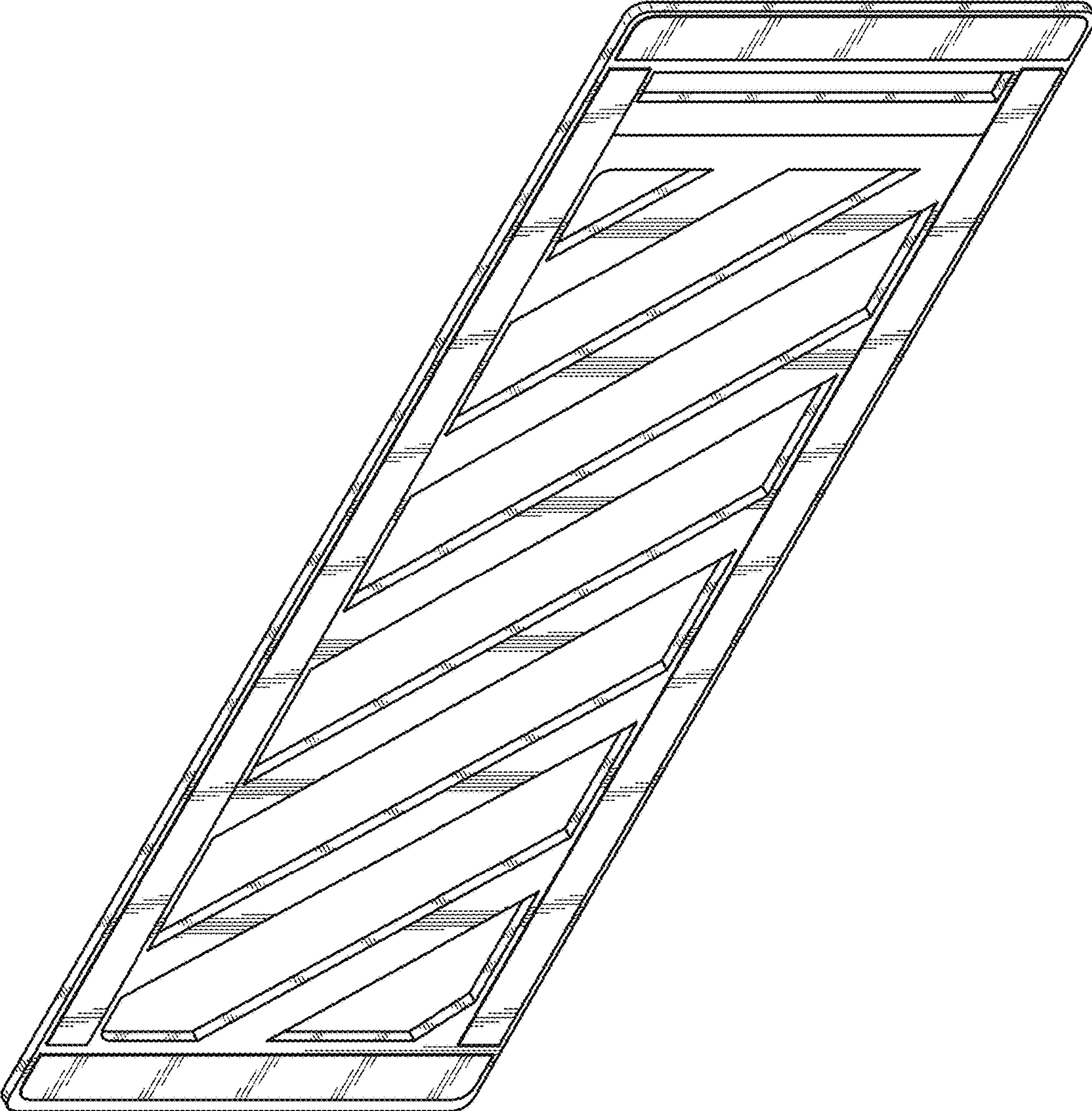


FIG. 1

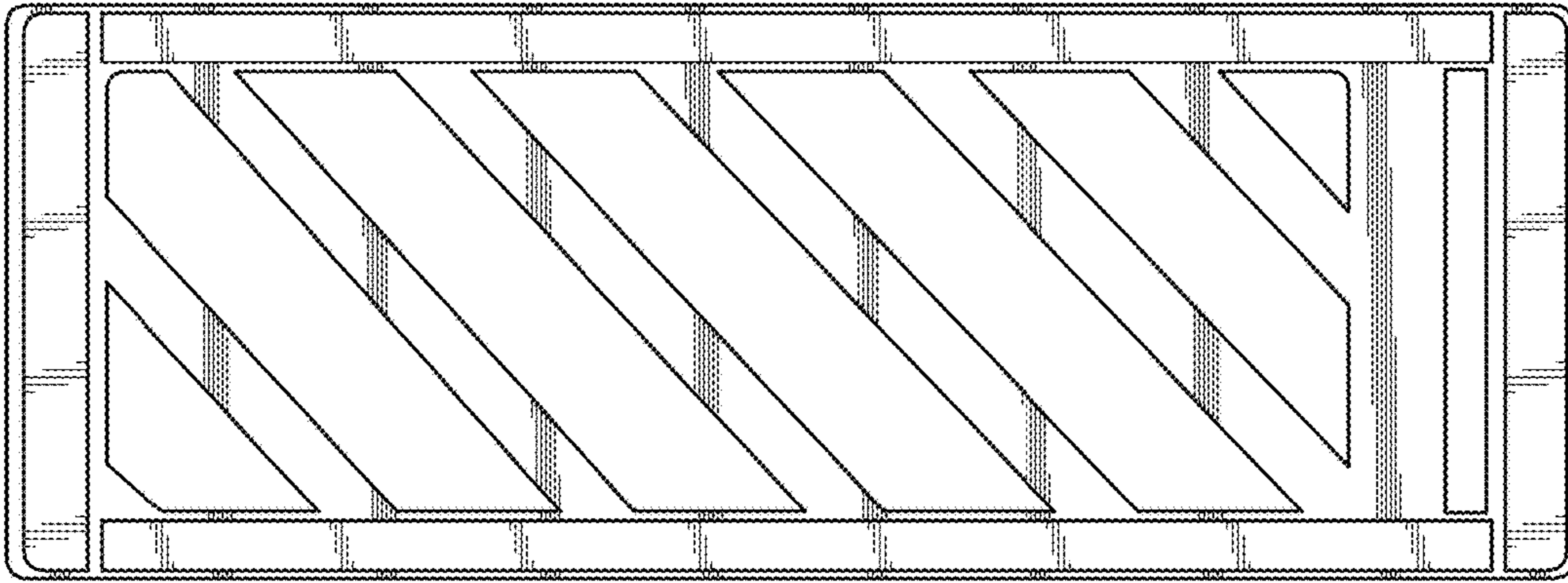


FIG. 2

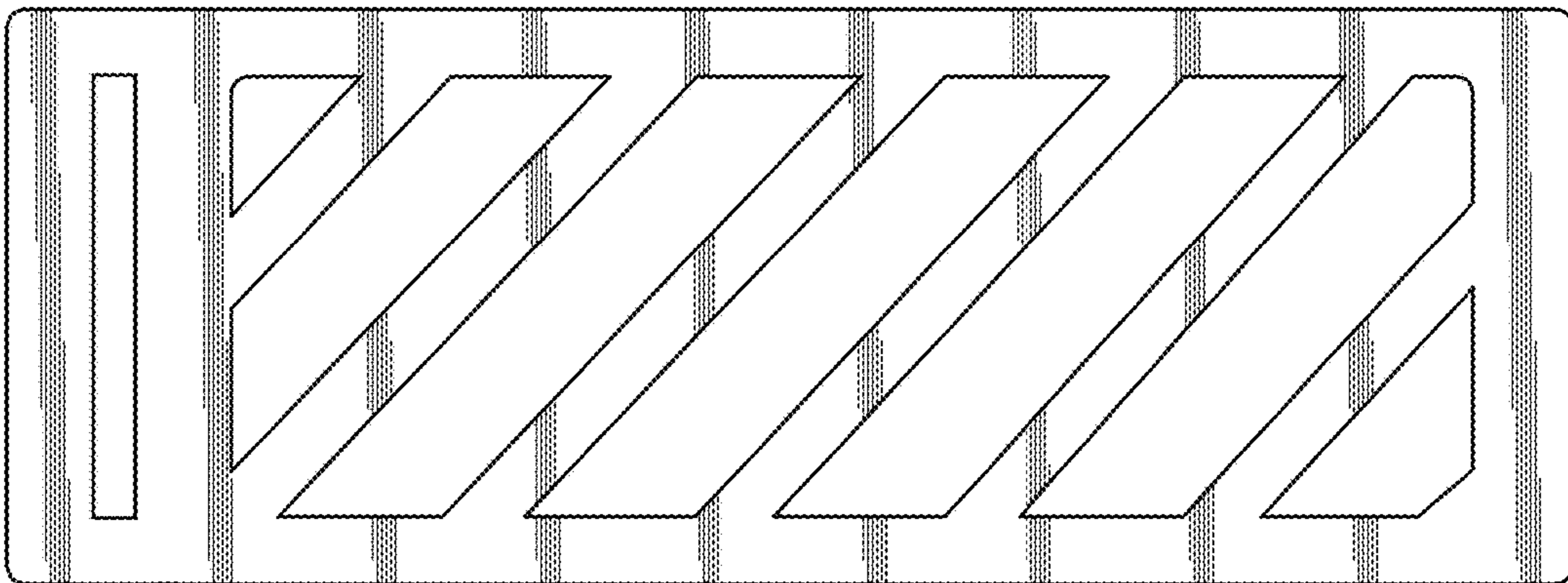


FIG. 3



FIG. 4



FIG. 5