



US00D805625S

(12) **United States Design Patent** (10) **Patent No.:** **US D805,625 S**
Haggar (45) **Date of Patent:** **** Dec. 19, 2017**

(54) **CEILING FAN**
(71) Applicant: **HUNTER FAN COMPANY,**
Memphis, TN (US)
(72) Inventor: **Alexander Jonathan Haggar,**
Memphis, TN (US)
(73) Assignee: **Hunter Fan Company,** Memphis, TN
(US)

D741,988 S * 10/2015 Pan D23/377
D743,522 S 11/2015 Pan
D771,794 S * 11/2016 Wang D23/411
D782,644 S * 3/2017 Wang D23/377
D783,796 S * 4/2017 Badarello D23/385
D783,797 S * 4/2017 Badarello D23/385
D788,283 S * 5/2017 Busta D23/377
D788,286 S * 5/2017 Busta D23/411
2005/0249598 A1* 11/2005 Young F04D 25/088
416/198 R

(**) Term: **15 Years**
(21) Appl. No.: **29/582,299**
(22) Filed: **Oct. 26, 2016**
(51) **LOC (10) Cl.** **23-04**
(52) **U.S. Cl.**
USPC **D23/377; D23/385**
(58) **Field of Classification Search**
USPC D23/370, 377, 379, 385, 411; D26/59
CPC F04D 25/088; F21V 33/0096
See application file for complete search history.

OTHER PUBLICATIONS

<http://www.homedepot.com/p/Hampton-Bay-Torrington-52-in-Cottage-Wood-Ceiling-Fan-AC446-CW/100455231>, Item Specification for Hampton Bay Torrington 52 in. Cottage Wood Ceiling Fan, Model # AC446-CW, accessed on Oct. 25, 2016.
<http://www.modernfan.com/products/pharos.html>, Item Specification for the Modern Fan Pharos, accessed on Oct. 25, 2016.

(Continued)

Primary Examiner — Janice Hallmark
(74) *Attorney, Agent, or Firm* — McGarry Bair PC

(57) **CLAIM**

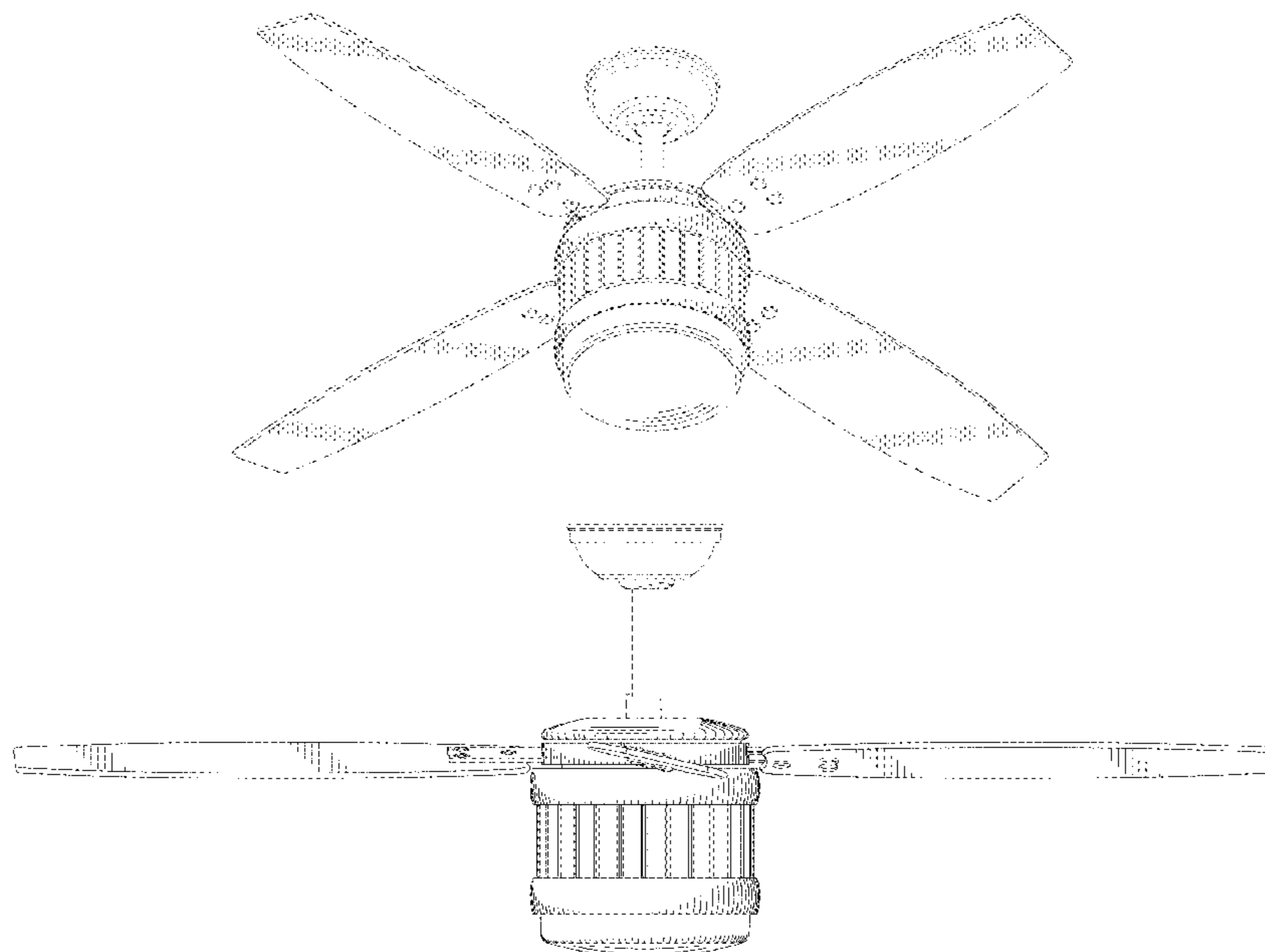
The ornamental design for a ceiling fan, as shown and described.

DESCRIPTION

FIG. 1 is a top perspective view of a ceiling fan showing my new design;
FIG. 2 is a bottom perspective view of the ceiling fan of FIG. 1;
FIG. 3 is a side view of the ceiling fan of FIG. 1;
FIG. 4 is a top view of the ceiling fan of FIG. 1; and,
FIG. 5 is a bottom view of the ceiling fan of FIG. 1.
Portions of the ceiling fan shown in broken lines form no part of the claimed design.

1 Claim, 5 Drawing Sheets

(56) **References Cited**
U.S. PATENT DOCUMENTS
D297,974 S * 10/1988 Sonneman D23/377
D328,491 S * 8/1992 Markwardt D23/377
D328,785 S * 8/1992 Markwardt D23/377
D333,867 S * 3/1993 Markwardt D23/377
D344,129 S * 2/1994 Markwardt D23/377
D345,790 S * 4/1994 Caldwell D23/377
D376,641 S 12/1996 Bucher
D510,620 S * 10/2005 Young D23/377
D515,686 S * 2/2006 Young D23/377
D594,542 S * 6/2009 Pan D23/377
D596,737 S 7/2009 Pan
D621,024 S * 8/2010 Orozco D23/377
D704,819 S * 5/2014 Wang D23/411
D710,001 S 7/2014 Wang



(56)

References Cited

OTHER PUBLICATIONS

<http://www.fanimation.com/products/index.php/fans/louvre.html>, Item Specification for Fanimation Louvre Ceiling Fan, Model # MAD3255, accessed on Oct. 25, 2016.

<http://www.montecarlofans.com/49732/54in-Tillbury-Weathered-Zinc-Fan-Only-5TLR54WZC.html>, Item Specification for Monte Carlo Tillbury Collection 54in Weathered Zinc Fan, Product # 5TLR54WZC, accessed on Oct. 25, 2016.

<http://www.craftmade.com/Craftmade-TS52PT-Pewter-Ceiling-Fan.HTM>, Item Specification for Craftmade TS52PT—Townsend Pewter Ceiling Fan, accessed on Oct. 25, 2016.

<https://www.amazon.com/Hunter-Fan-Company-59211-Sentinel/dp/B01CDFZP5E>, Item Specification for Hunter Fan Company Sentinel 52in Ceiling Fan, Model # 59211, accessed on Oct. 25, 2016.

<http://www.quoruminternational.com/index.cfm/app/productDetail?product=98604-65>, Item Specification for Quorum International 98604-65 Weathered Pine Blades Ceiling Fan, accessed on Oct. 25, 2016.

<http://ceilingfans.emerson.com/shop/en/fan/highpointe-fan-p-cf205>, Item Specification for Emerson Highpointe CF205BS Ceiling Fan, accessed on Oct. 25, 2016.

https://www.haikuhome.com/fans?_ga=1.242892033.2031730953.1477406486, Item Specification for Haiku Fans by Big Ass Solutions, accessed on Oct. 25, 2016.

* cited by examiner

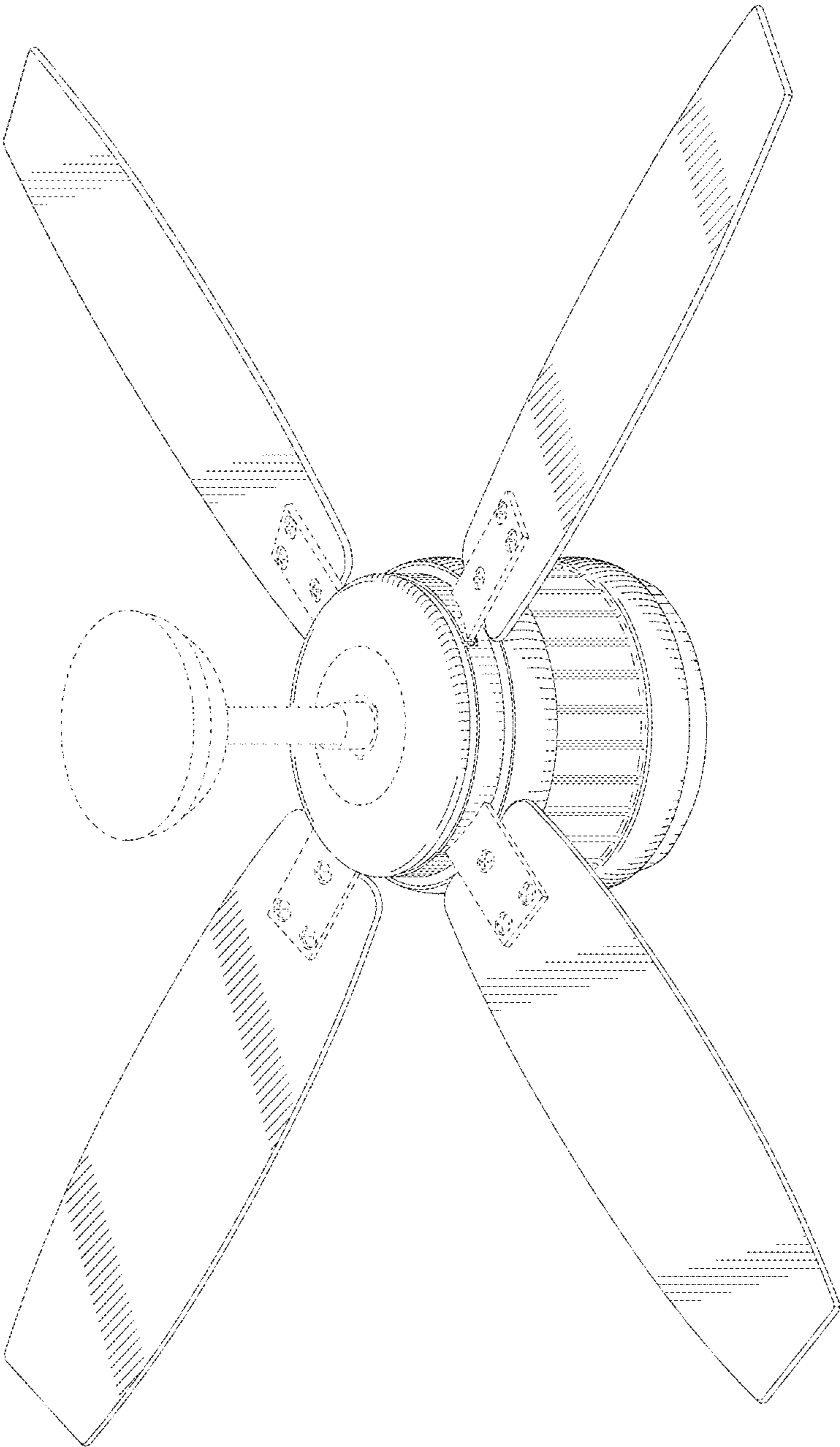


FIG.1

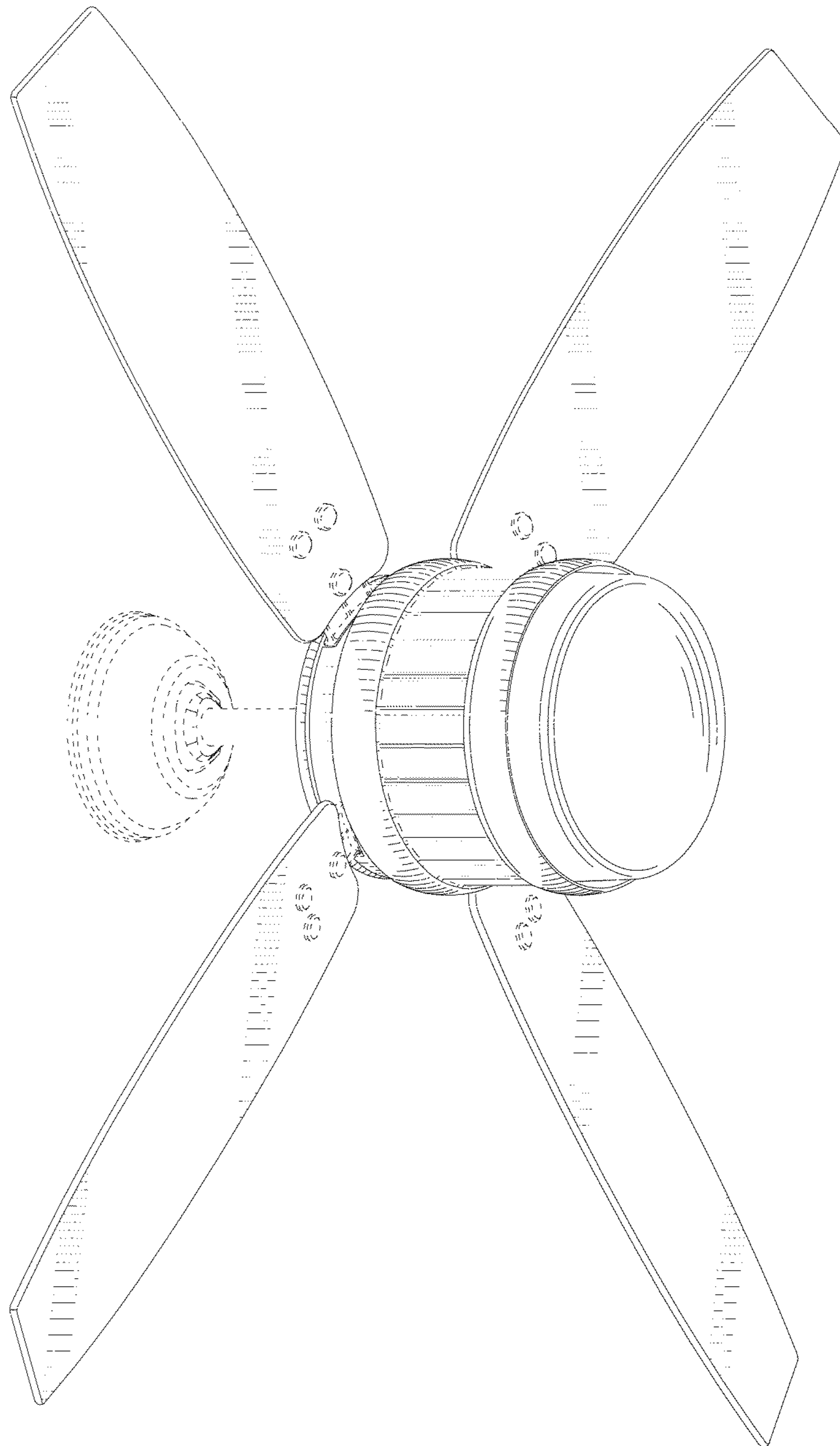


FIG.2

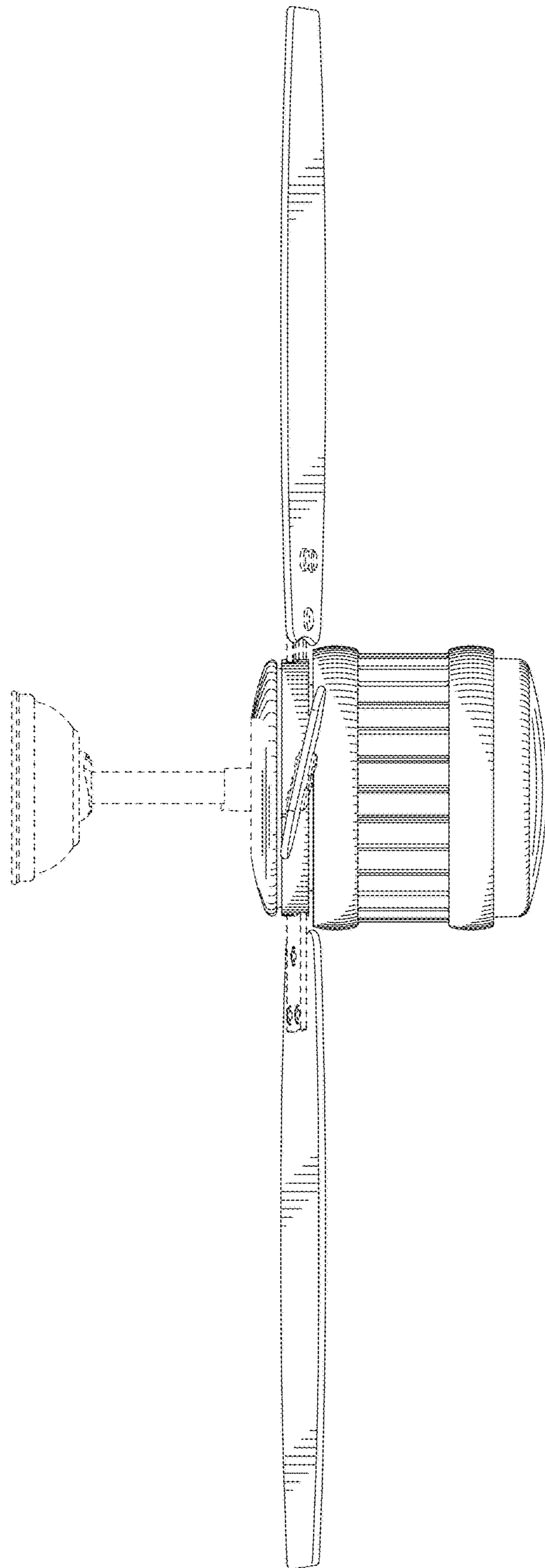


FIG. 3

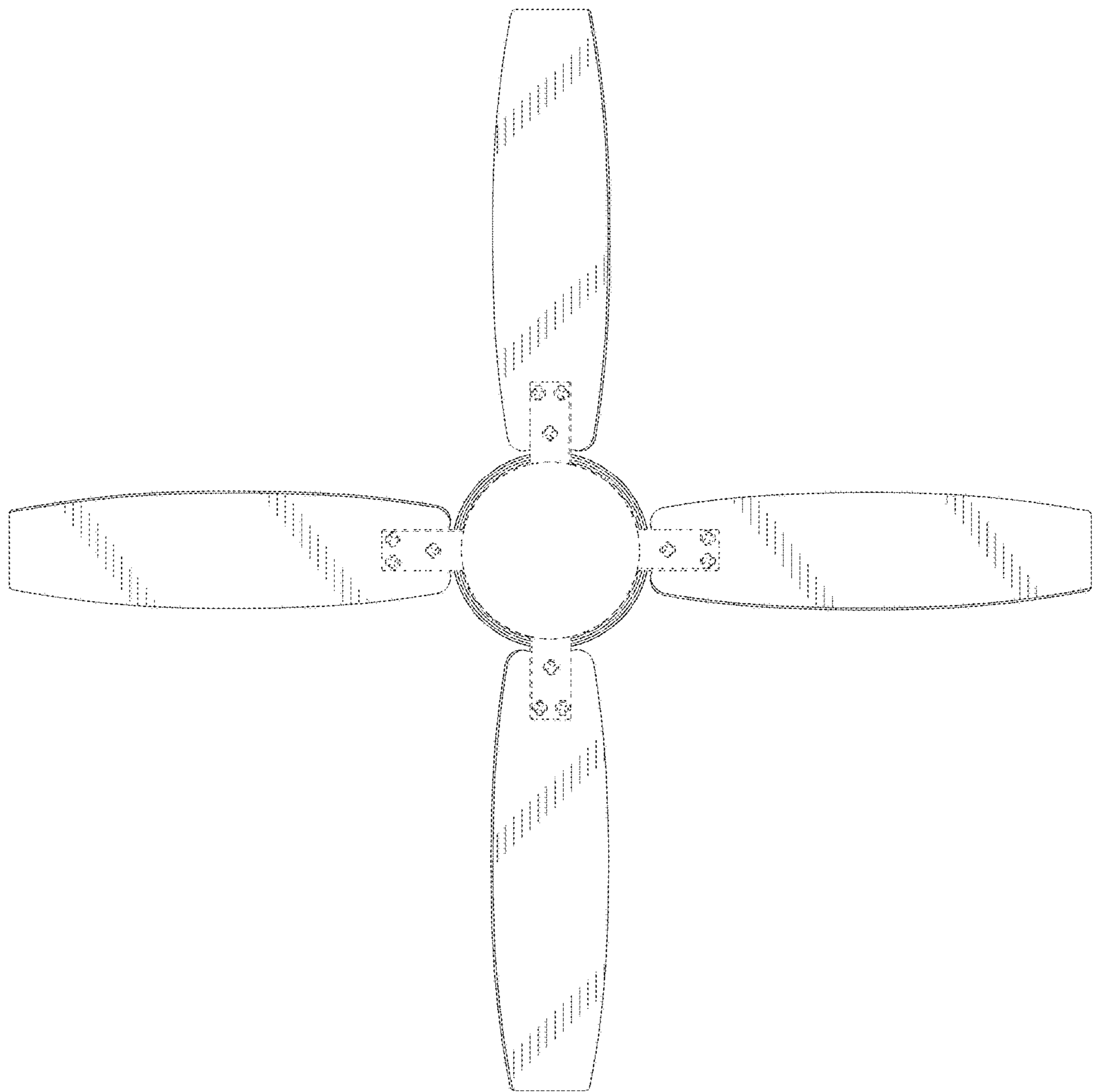


FIG. 4

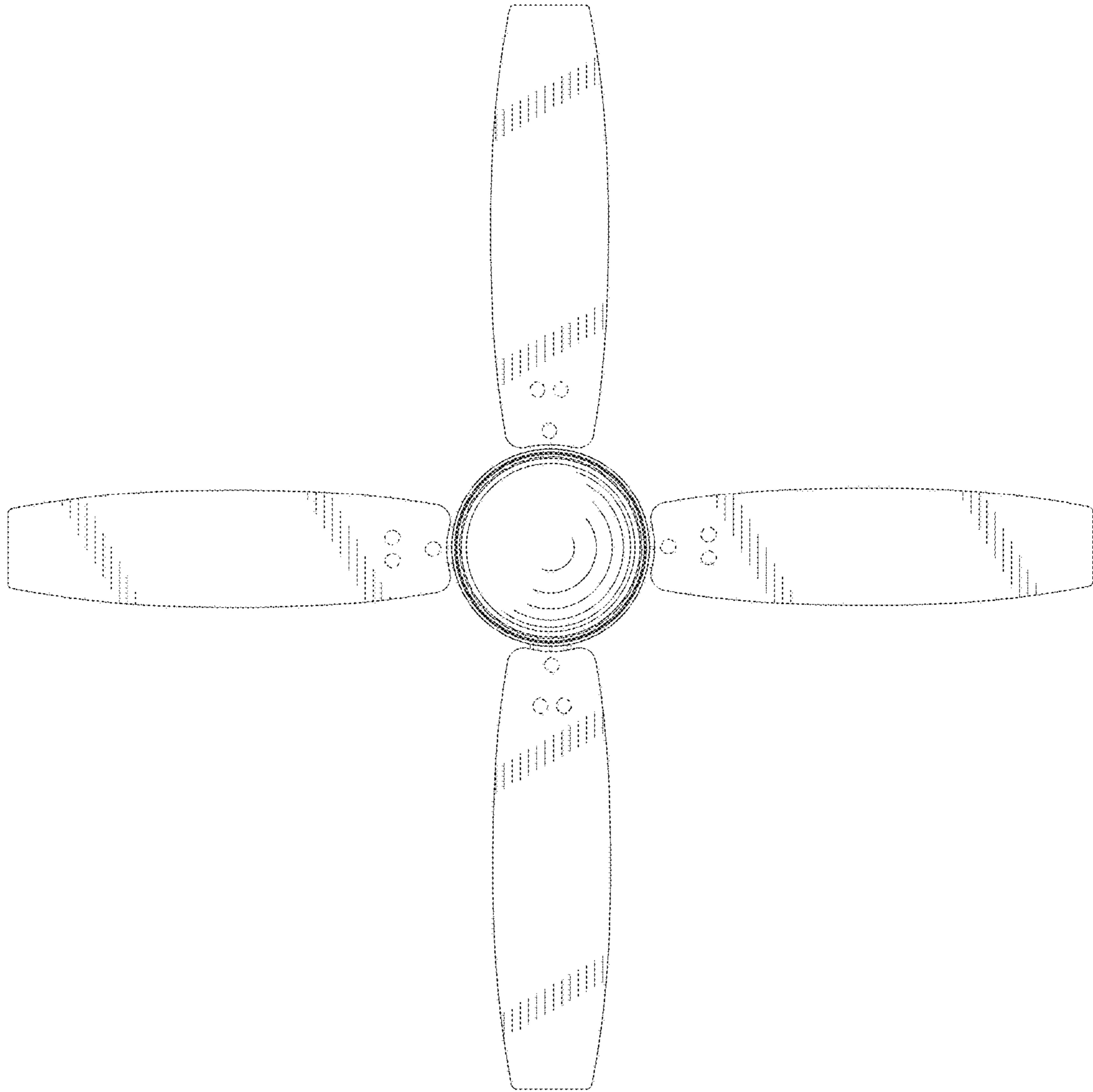


FIG. 5