



US00D805624S

(12) **United States Design Patent** (10) **Patent No.:** **US D805,624 S**
O'Connell et al. (45) **Date of Patent:** **** Dec. 19, 2017**

(54) CEILING FAN	6,367,942 B1 * 4/2002 Bauer F04D 25/088 362/234
(71) Applicant: HUNTER FAN COMPANY, Memphis, TN (US)	D462,756 S * 9/2002 Liu D23/377 D479,872 S * 9/2003 Young D23/377 D480,134 S 9/2003 Wilson D481,117 S 10/2003 Tsuji
(72) Inventors: Patrick R. O'Connell, Memphis, TN (US); Claire Bernice McRoberts, Memphis, TN (US)	D482,436 S * 11/2003 Young D23/377 D489,126 S * 4/2004 Young D23/411 D506,822 S 6/2005 Young D516,199 S * 2/2006 Frampton D23/411 D517,231 S 3/2006 Pickett D520,633 S 5/2006 Tai D525,696 S * 7/2006 Ertze D23/377
(73) Assignee: Hunter Fan Company, Memphis, TN (US)	

(**) Term: **15 Years**

(21) Appl. No.: **29/582,208**

(22) Filed: **Oct. 26, 2016**

(51) **LOC (10) Cl.** **23-04**

(52) **U.S. Cl.**
USPC **D23/377; D23/385**

(58) **Field of Classification Search**
USPC D23/370, 377, 379, 385, 411; D26/59
CPC F04D 25/088; F21V 33/0096
See application file for complete search history.

(56) **References Cited**

U.S. PATENT DOCUMENTS

D270,563 S	9/1983	Phillips	
D285,720 S	9/1986	Markwardt	
D339,204 S	9/1993	Hollbrook	
D346,209 S	4/1994	Holbrook	
D351,020 S	9/1994	Arnold	
D369,405 S	4/1996	Holbrook	
D383,528 S *	9/1997	Collmar D23/377
D383,531 S	9/1997	Tsuji	
D396,532 S	7/1998	Tsuji	
D397,416 S	8/1998	Lee	
D399,333 S *	10/1998	Greene D26/88
D428,982 S	8/2000	Oldenburg	
D435,901 S	1/2001	Tsuji	
D440,649 S	4/2001	Tsuji	

OTHER PUBLICATIONS

<http://www.kingoffans.com/#/products/ceilingFans>, Item Specification for King of Fans Covington, accessed on Oct. 25, 2016.

(Continued)

Primary Examiner — Janice Hallmark

(74) *Attorney, Agent, or Firm* — McGarry Bair PC

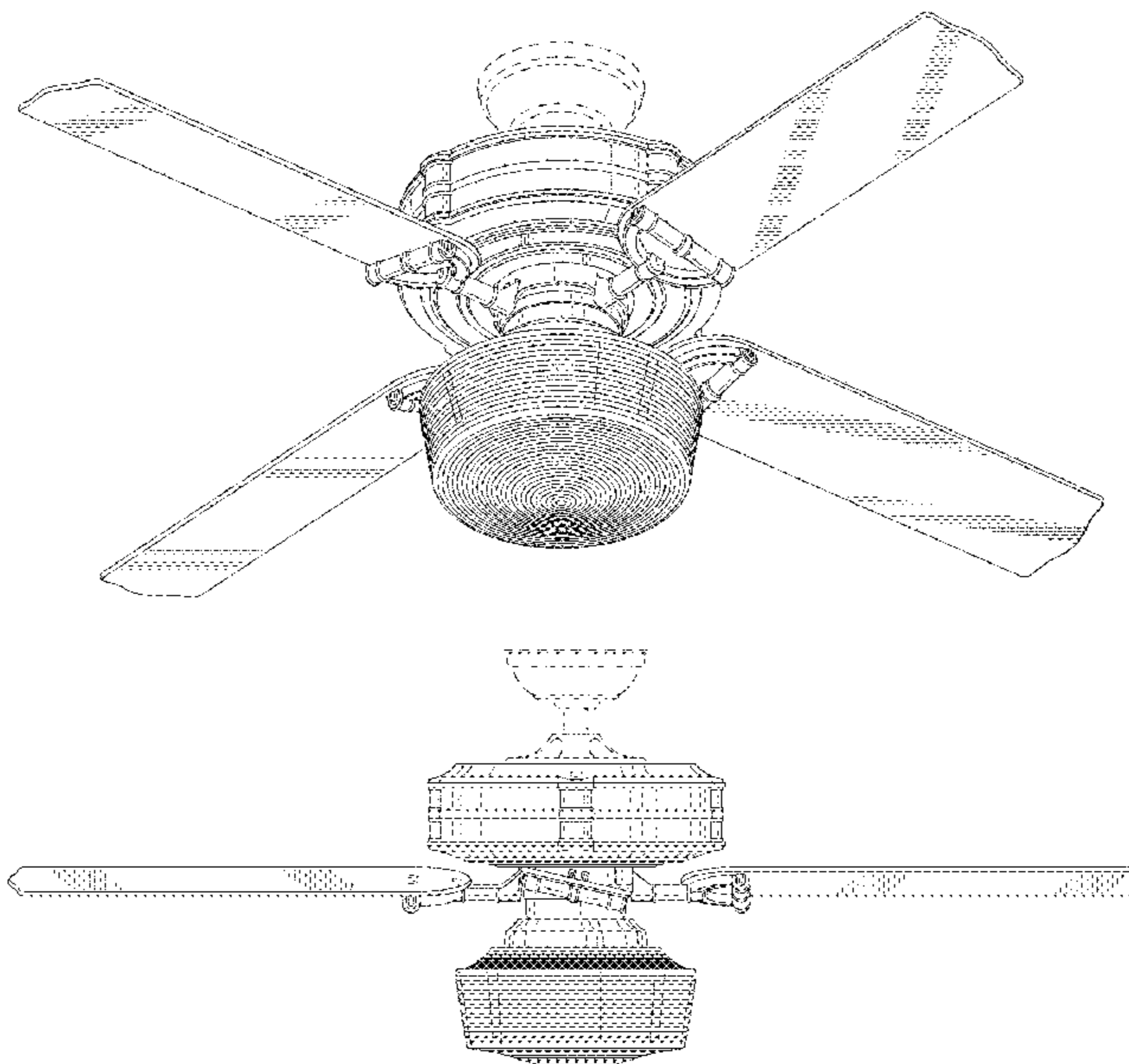
(57) **CLAIM**

The ornamental design for a ceiling fan, as shown and described.

DESCRIPTION

FIG. 1 is a top perspective view of a ceiling fan showing my new design;
FIG. 2 is a bottom perspective view of the ceiling fan of FIG. 1;
FIG. 3 is a top view of the ceiling fan of FIG. 1;
FIG. 4 is a bottom view of the ceiling fan of FIG. 1; and,
FIG. 5 is a front side view of the ceiling fan of FIG. 1, with the rear, right, and left side views being identical thereto. Portions of the ceiling fan shown in broken lines form no part of the claimed design.

1 Claim, 5 Drawing Sheets



(56)

References Cited

U.S. PATENT DOCUMENTS

D529,163 S	*	9/2006	Young	D23/377
D529,602 S		10/2006	Glasbrenner	
D531,338 S		10/2006	Chen	
D541,930 S		5/2007	Pickett	
D547,476 S		7/2007	Ertze	
D550,832 S		9/2007	Ertze	
D552,228 S		10/2007	Ertze	
D553,239 S		10/2007	Wang	
D555,270 S		11/2007	Ertze	
D555,779 S	*	11/2007	Bucher	D23/377
D567,361 S		4/2008	Curtin	
D581,040 S		11/2008	Pickett	
D581,509 S	*	11/2008	Marshall	D23/377
D583,923 S	*	12/2008	Bucher	D23/377
D594,544 S	*	6/2009	Pan	D23/377
D599,468 S		9/2009	Yang	
D627,454 S		11/2010	Pan	
D627,456 S		11/2010	Glasbrenner	
D633,611 S	*	3/2011	Pan	D23/377
D700,984 S	*	3/2014	Yang	D26/59
D708,314 S	*	7/2014	Pan	D23/377

OTHER PUBLICATIONS

<http://www.kingoffans.com/#/products/ceilingFans>, Item Specification for King of Fans Carlisle, accessed on Oct. 25, 2016.

<http://ceilingfans.emerson.com/shop/en/fan/fans-s-emerson-fans/fans-s-indoor-outdoor/42-summer-night-fan-p-cf42pf>, Item Specification for Emerson 42in Summer Night Ceiling Fan Model CF742PFORB, accessed on Oct. 25, 2016.

<http://kingoffans.com/#/products/ceilingFans>, Item Specification for King of Fans Riverwalk, accessed on Oct. 25, 2016.

<http://ceilingfans.emerson.com/shop/en/fan/fans-s-emerson-fans/fans-s-pro-series/42-pro-series-ii-fan-p-cf710>, Item Specification for Emerson 42in Pro Series II CF710BS Ceiling Fan, accessed on Oct. 25, 2016.

<http://www.fanimation.com/products/index.php/fans/aire-decor-bp215.html>, Item Specification for Fanimation Aire Decor BP215 Ceiling Fan, accessed on Oct. 25, 2016.

<http://www.kichler.com/products/product/52-inch-kichler-basics-premier-ceiling-fan-ni7-402.aspx>, Item Specification for Kichler

Basics 52in Premier Collection Ceiling Fan Model 402N17, accessed on Oct. 25, 2016.

<http://www.montecarlofans.com/32819/52-HomeBuilder-III---Bronze-BF3-BZ.html>, Item Specification for Monte Carlo 52in Homebuilder III Collection, Bronze Model BF3-BZ, accessed on Oct. 25, 2016.

<http://www.fanimation.com/products/index.php/fans/aire-decor-bp230.html>, Item Specification for Fanimation Aire Decor BP230 Ceiling Fan, accessed on Oct. 25, 2016.

<http://www.homedepot.com/p/Hunter-Orchard-Park-52-in-Indoor-Outdoor-Distressed-White-Ceiling-Fan-54068/206279065>, Item Specification for 52in Hunter Fan Orchard Park Model 54068, accessed on Oct. 25, 2016.

<http://www.craftmade.com/Ellington-Fans-ECK756ABZ-Aged-Bronze-Brushed-Ceiling-Fan-Light-Kit.HTM>, Item Specification for Craftmade ECK756ABZ Ellington Ceiling Fan, accessed on Oct. 25, 2016.

<http://www.craftmade.com/Craftmade-LW52W-White-Outdoor-Ceiling-Fan.HTM>, Item Specification for Craftmade LW52W Leeward Ceiling Fan, accessed on Oct. 25, 2016.

<http://www.quoruminternational.com/index.cfm/app/productDetail?product=43306-6>, Item Specification for Quorum International 43306-6 Ceiling Fan, accessed on Oct. 25, 2016.

<http://www.quoruminternational.com/index.cfm/app/productDetail?product=79525-6522>, Item Specification for Quorum International 79525-6522 Ceiling Fan, accessed on Oct. 25, 2016.

<http://www.kichler.com/products/product/52-inch-sutter-place-premier-fan-obb-339400obb.aspx>, Item Specification for Kichler Sutter Place Premier Collection 52in Model 339400BB, accessed on Oct. 25, 2016.

<http://www.kichler.com/products/product/52-inch-lydon-fan-oz-300120oz.aspx>, Item Specification for Kichler 52in Lydon Fan Model 300120Z, accessed on Oct. 25, 2016.

<http://www.craftmade.com/Craftmade-B556C-T5-Wood-Ceiling-Fan-Blades.HTM>, Item Specification for Craftmade B555C-T5 Wood Ceiling Fan Blade, accessed on Oct. 25, 2016.

<http://www.fanimation.com/products/index.php/blades/21-brewmaster-reversible-wood-blade-set.html>, Item Specification for Fanimation 21in Brewmaster Reversible Wood Blade, accessed on Oct. 25, 2016.

* cited by examiner

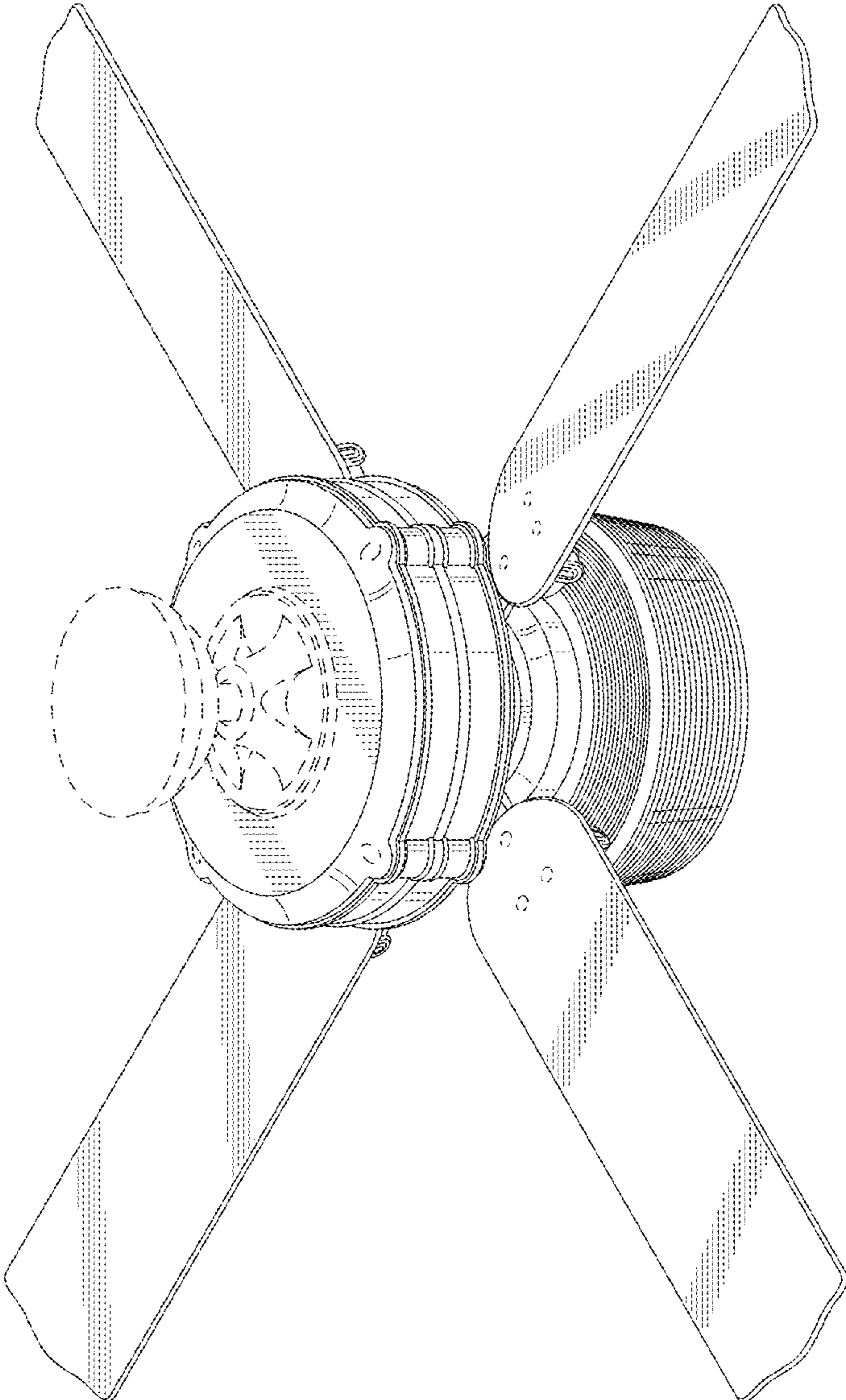
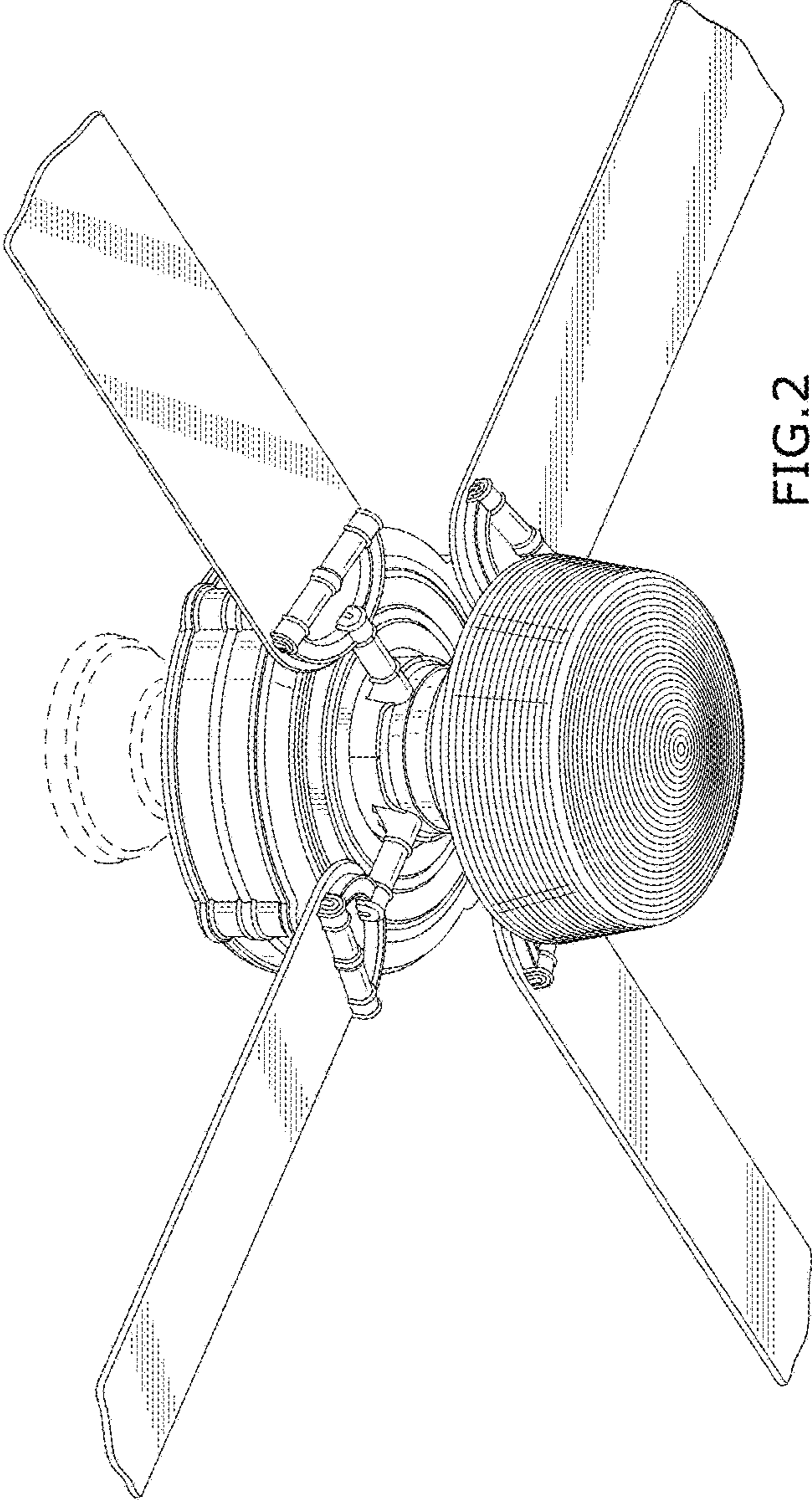


FIG.1



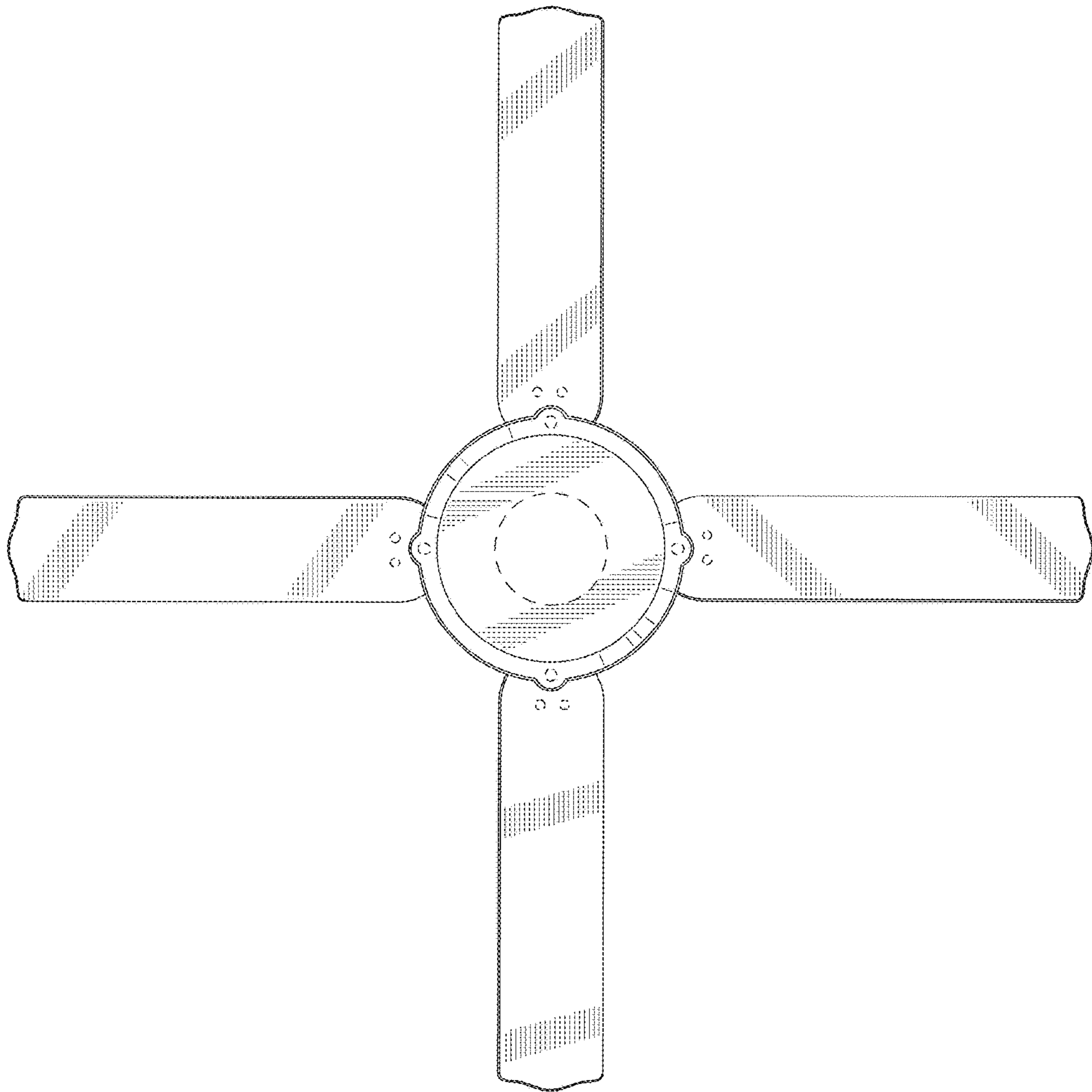


FIG.3

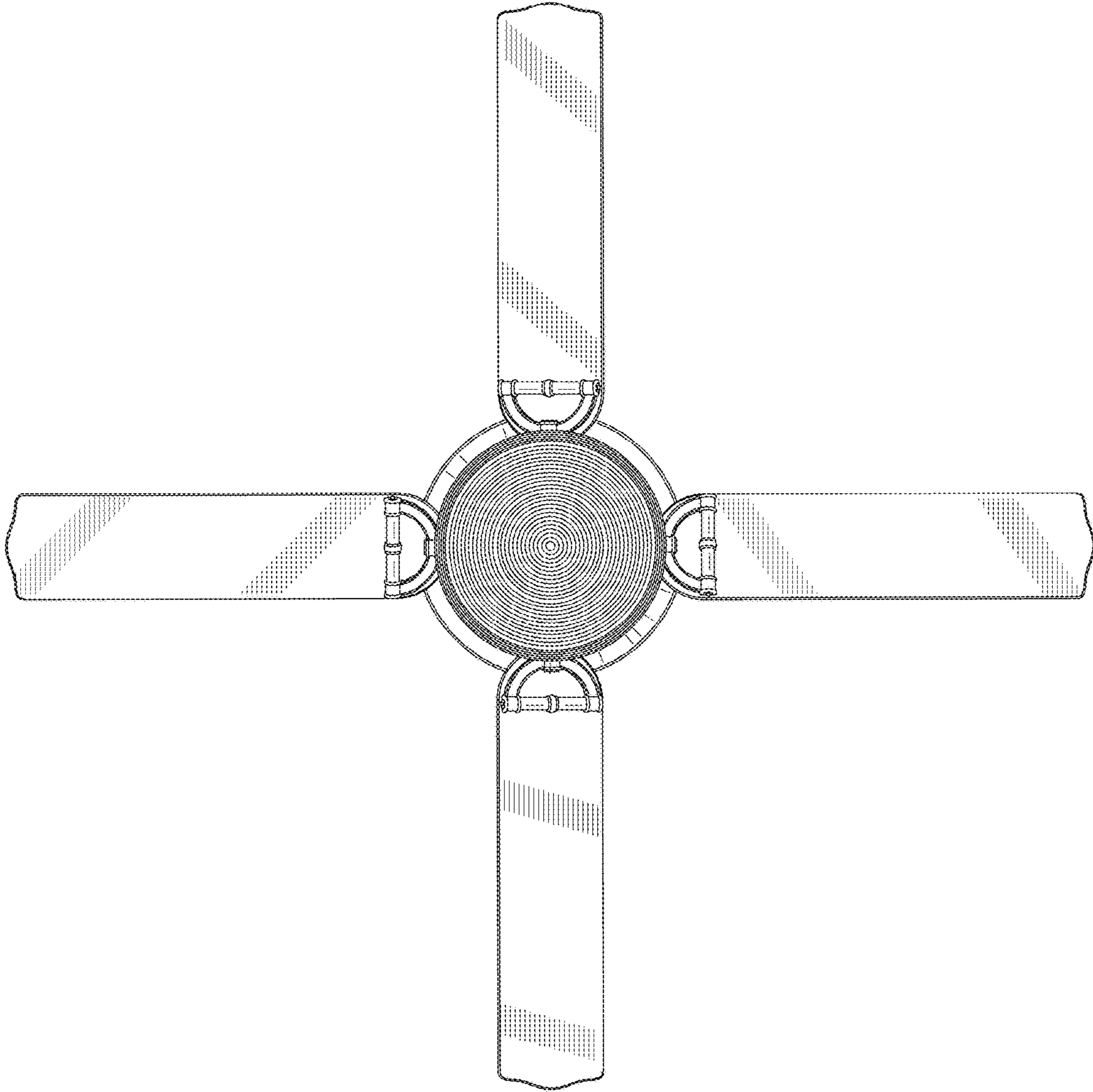


FIG.4

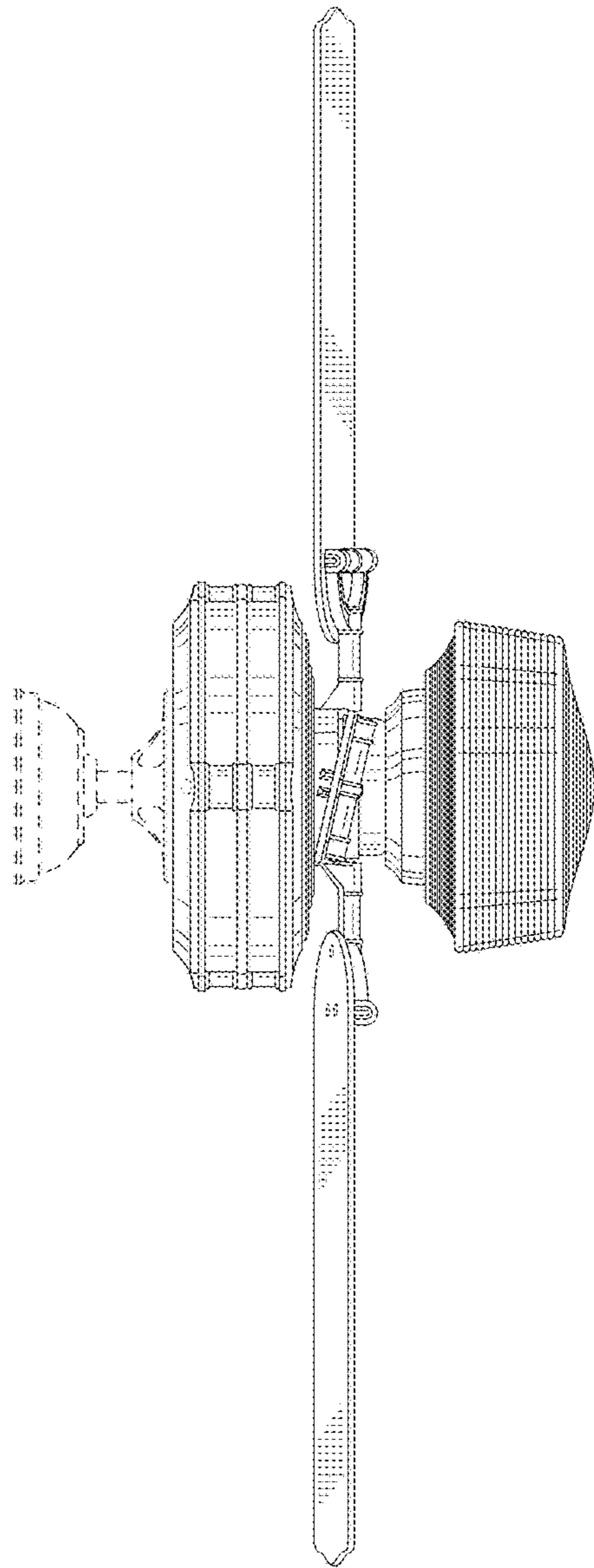


FIG. 5