



US00D805623S

(12) **United States Design Patent**
Haggar

(10) **Patent No.:** **US D805,623 S**

(45) **Date of Patent:** **** Dec. 19, 2017**

(54) **CEILING FAN**

(71) Applicant: **HUNTER FAN COMPANY,**
Memphis, TN (US)

(72) Inventor: **Alexander Jonathan Haggar,**
Memphis, TN (US)

(73) Assignee: **Hunter Fan Company,** Memphis, TN
(US)

(**) Term: **15 Years**

(21) Appl. No.: **29/579,420**

(22) Filed: **Sep. 29, 2016**

(51) **LOC (10) Cl.** **23-04**

(52) **U.S. Cl.**
USPC **D23/377; D23/385**

(58) **Field of Classification Search**
USPC D23/370, 377, 379, 381, 382, 385, 411,
D23/413, 414, 332, 328; D26/59
CPC F04D 25/08; F04D 29/388; F04D 29/34;
F04D 25/088; H02K 1/187
See application file for complete search history.

(56) **References Cited**

U.S. PATENT DOCUMENTS

D297,974 S	10/1988	Sonneman	
D312,688 S *	12/1990	Mason	D23/377
D314,618 S *	2/1991	Yen	D23/377
D322,475 S	12/1991	Markwardt	
D328,785 S *	8/1992	Markwardt	D23/377
D333,867 S *	3/1993	Markwardt	D23/377
D430,930 S *	9/2000	Zuege	D23/377
D480,465 S	10/2003	Wilson	
D515,695 S	2/2006	Badarello	
D594,542 S	6/2009	Pan	
D596,737 S	7/2009	Pan	
D603,955 S	11/2009	Patton	
D607,988 S	1/2010	Oleson	

D609,799 S *	2/2010	Lee	D23/377
D628,688 S *	12/2010	Pan	D23/377
D706,407 S	6/2014	Wang	
D741,988 S *	10/2015	Pan	D23/377
D744,083 S	11/2015	Wang	
D744,084 S	11/2015	Wang	
D744,634 S	12/2015	Wang	
D774,175 S *	12/2016	Wang	D23/385
D778,422 S *	2/2017	Gajewski	D23/377
2010/0278637 A1 *	11/2010	Oleson	F04D 25/088 415/121.3

OTHER PUBLICATIONS

<http://www.kichler.com/products/product/42-inch-innes-ii-fan-ni-300130ni.aspx>, Item Specification for Innes II 42" Collection 42 Inch Innes II Fan NI, accessed on Sep. 29, 2016.
<http://www.ylighting.com/modern-fan-flute-ceiling-fan.html>, Item Specification for Modern Fan Company Flute Ceiling Fan, accessed on Sep. 29, 2016.

(Continued)

Primary Examiner — Janice Hallmark
(74) *Attorney, Agent, or Firm* — McGarry Bair PC

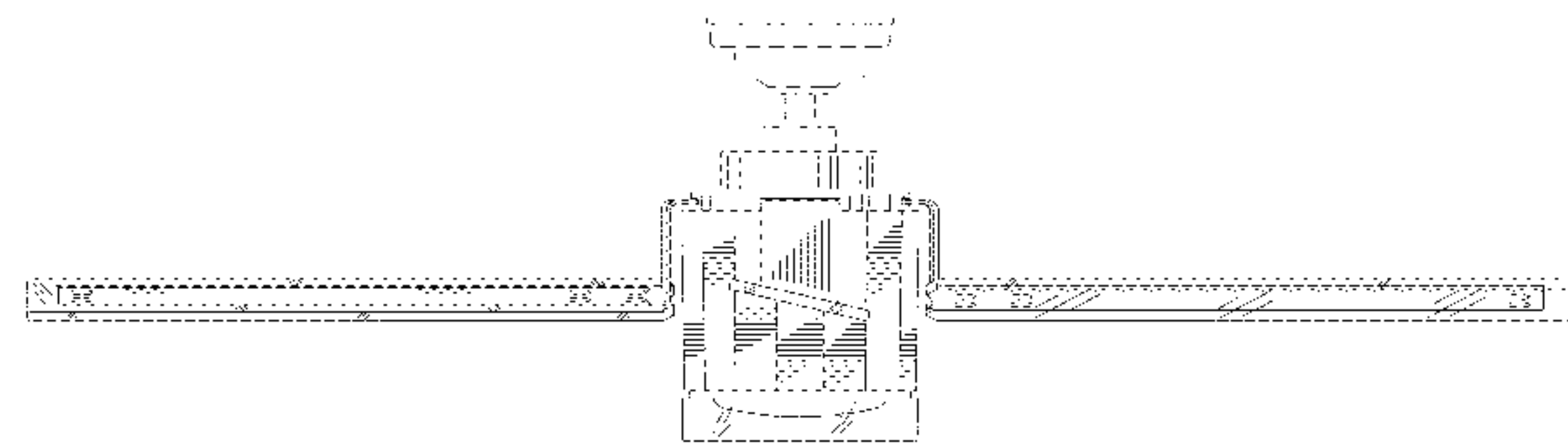
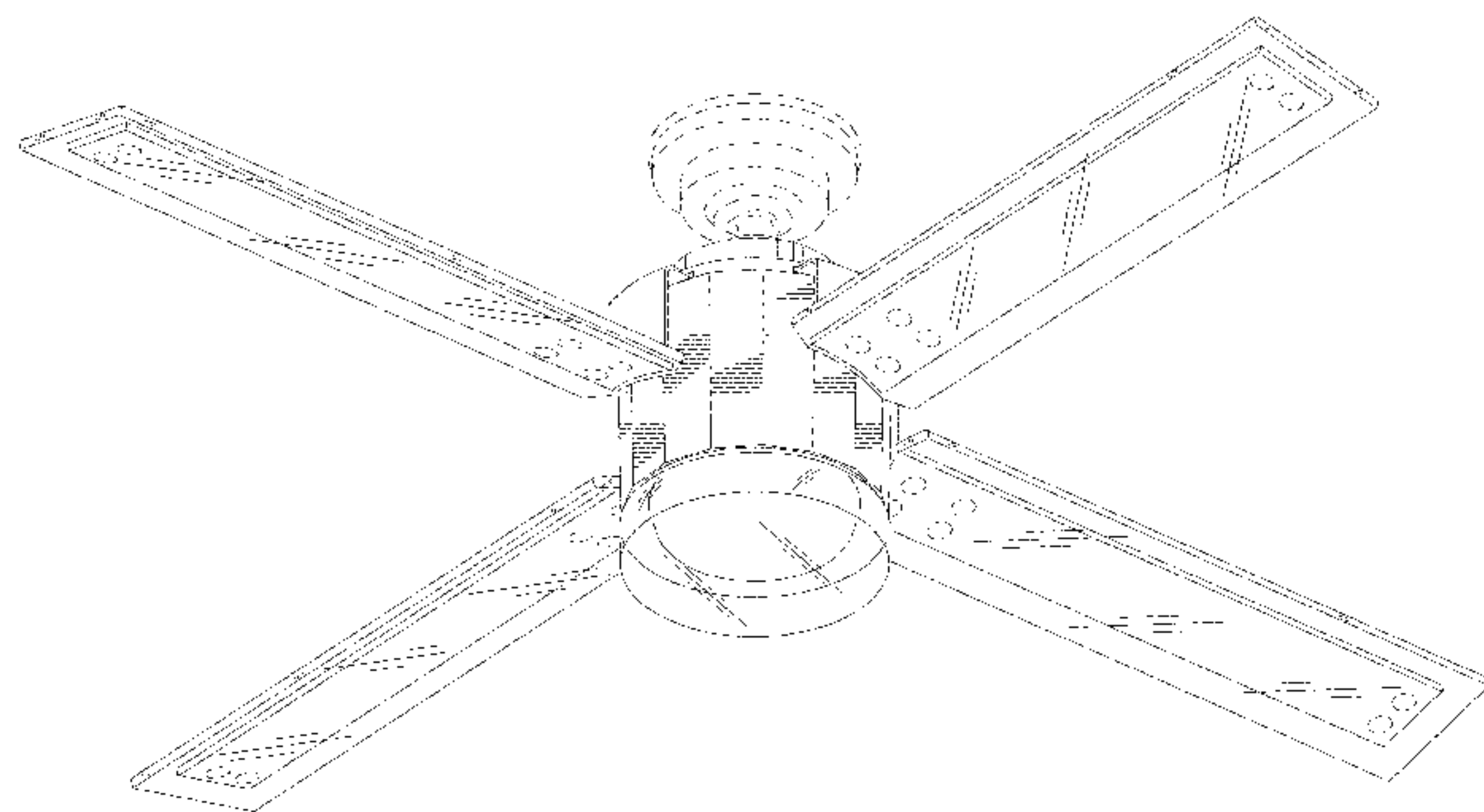
(57) **CLAIM**

The ornamental design for a ceiling fan, as shown and described.

DESCRIPTION

FIG. 1 is a top perspective view of a ceiling fan; FIG. 2 is a bottom perspective view of the ceiling fan of FIG. 1; FIG. 3 is a top view of the ceiling fan of FIG. 1; FIG. 4 is a bottom view of the ceiling fan of FIG. 1; and, FIG. 5 is a front side view of the ceiling fan of FIG. 1, with rear, right, and left side views being identical thereto. Portions of the ceiling fan shown in broken lines form no part of the claimed design.

1 Claim, 5 Drawing Sheets



(56)

References Cited

OTHER PUBLICATIONS

<http://www.minkagroup.net/products/f828-whf>, Item Specification for F828-WHF Symbio, accessed Sep. 29, 2016.

<http://www.craftmade.com/Craftmade-KAP54BNK3-Nickel-Ceiling-Fan.HTM>, Item Specification for KAP54BNK3—Kapiz, accessed Sep. 29, 2016.

<http://www.craftmade.com/Craftmade-SON52CH-Chrome-Ceiling-Fan-Motor.HTM>, Item Specification for SON52CH—Sonnet, accessed Sep. 29, 2016.

<http://www.fanimation.com/products/index.php/fans/zonix-led.html>, Item Specification for Zonix LED, accessed Sep. 29, 2016.

<http://www.quoruminternational.com/index.cfm/app/productDetail?product=96608-65>, Item Specification for 96608-65, accessed Sep. 29, 2016.

<http://www.homedepot.com/p/Replacement-Ceiling-Fan-Blades-Beech-Walnut-5-Pack-FB14909/206300370>, Replacement Ceiling Fan Blades Beech/Walnut (5-Pack), accessed Sep. 29, 2016.

<http://www.kichler.com/products/product/48-in-pc-blade-for-arkwright-ap-370029ap.aspx>, Arkwright Collection 48 In. PC Blade for Arkwright AP, accessed Sep. 29, 2016.

<http://www.minkagroup.net/all-collections?keys=symbio>, Symbio 56" Ceiling Fan, accessed Sep. 29, 2016.

<http://www.minkagroup.net/all-collections?keys=flyte>, Flyte 56" Ceiling Fan, accessed Sep. 29, 2016.

<http://www.ylighting.com/modern-fan-torsion-ceiling-fan.html>, Modern Fan Company Torsion Ceiling Fan, accessed Sep. 29, 2016.

<http://www.hunterfan.com/Ceiling-Fans/Stockbridge?ModelNumber=55042>, Stockbridge®—70" Ceiling Fan, accessed Sep. 29, 2016.

<http://www.horchow.com/Milo-52-Acrylic-Ceiling-Fan/cprod107380005/p.prod>, Milo 52" Acrylic Ceiling Fan, accessed Sep. 29, 2016.

<http://www.minkagroup.net/products/f803-dk>, Minka Artemis F803-DK, accessed Sep. 29, 2016.

<http://www.delmarfans.com/quorum-ceiling-fans/prizzm/400525-14/>, Quorum 400525-14, Prizzm Chrome 52" Ceiling Fan, accessed Sep. 29, 2016.

<http://www.quorumlightinglights.com/product/quorum-retro-indoor-ceiling-fans-93524-14.html>, Quorum 93524-14 Retro 52 inch Chrome with Clear Acrylic Blades Ceiling Fan, accessed Sep. 29, 2016.

<http://www.quorumlightinglights.com/product/quorum-jellyfish-indoor-ceiling-fans-14583-914.html>, Quorum 14583-914 Jellyfish 58 inch Chrome with Clear Blades Ceiling Fan, accessed Sep. 29, 2016.

* cited by examiner

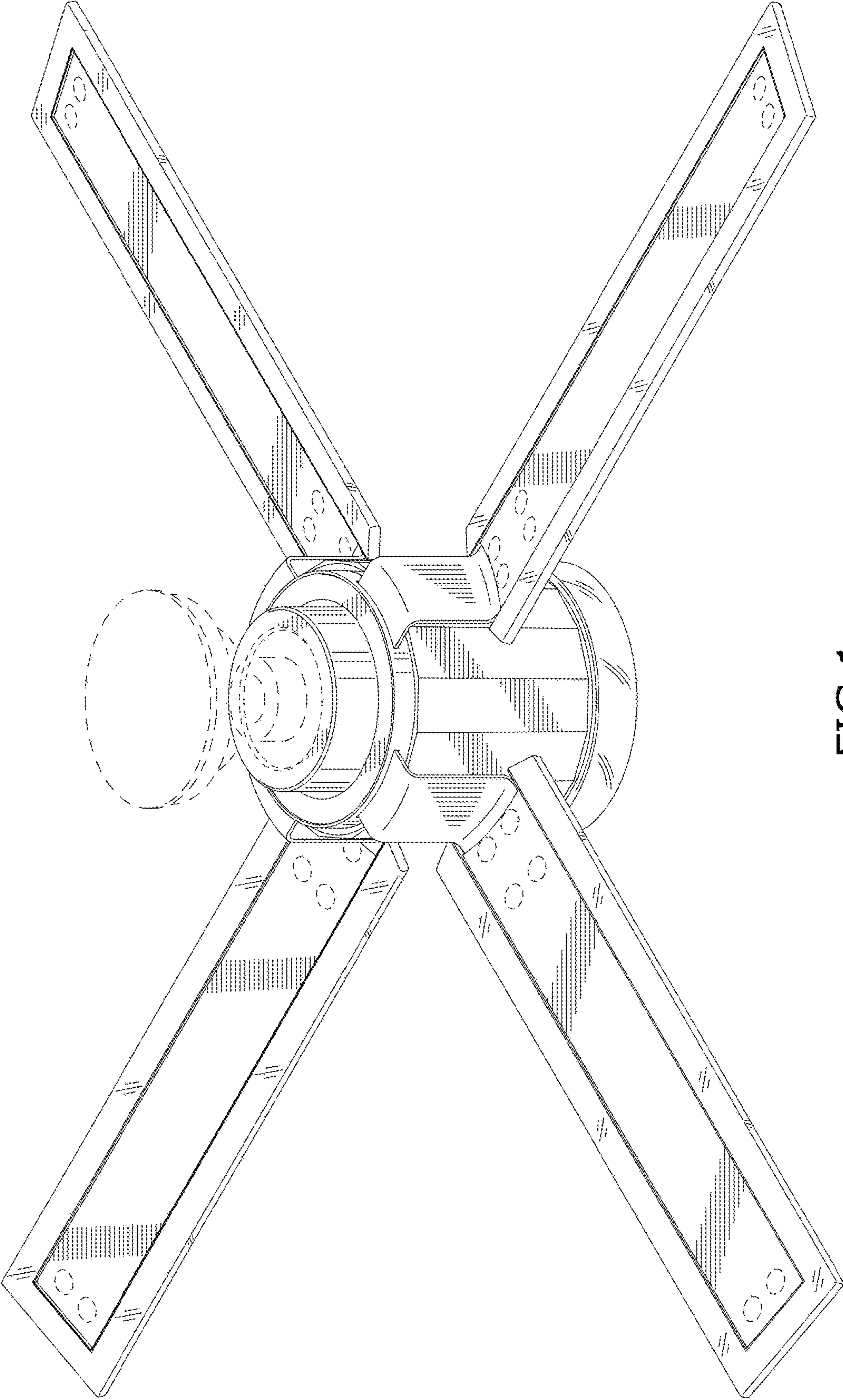


FIG. 1

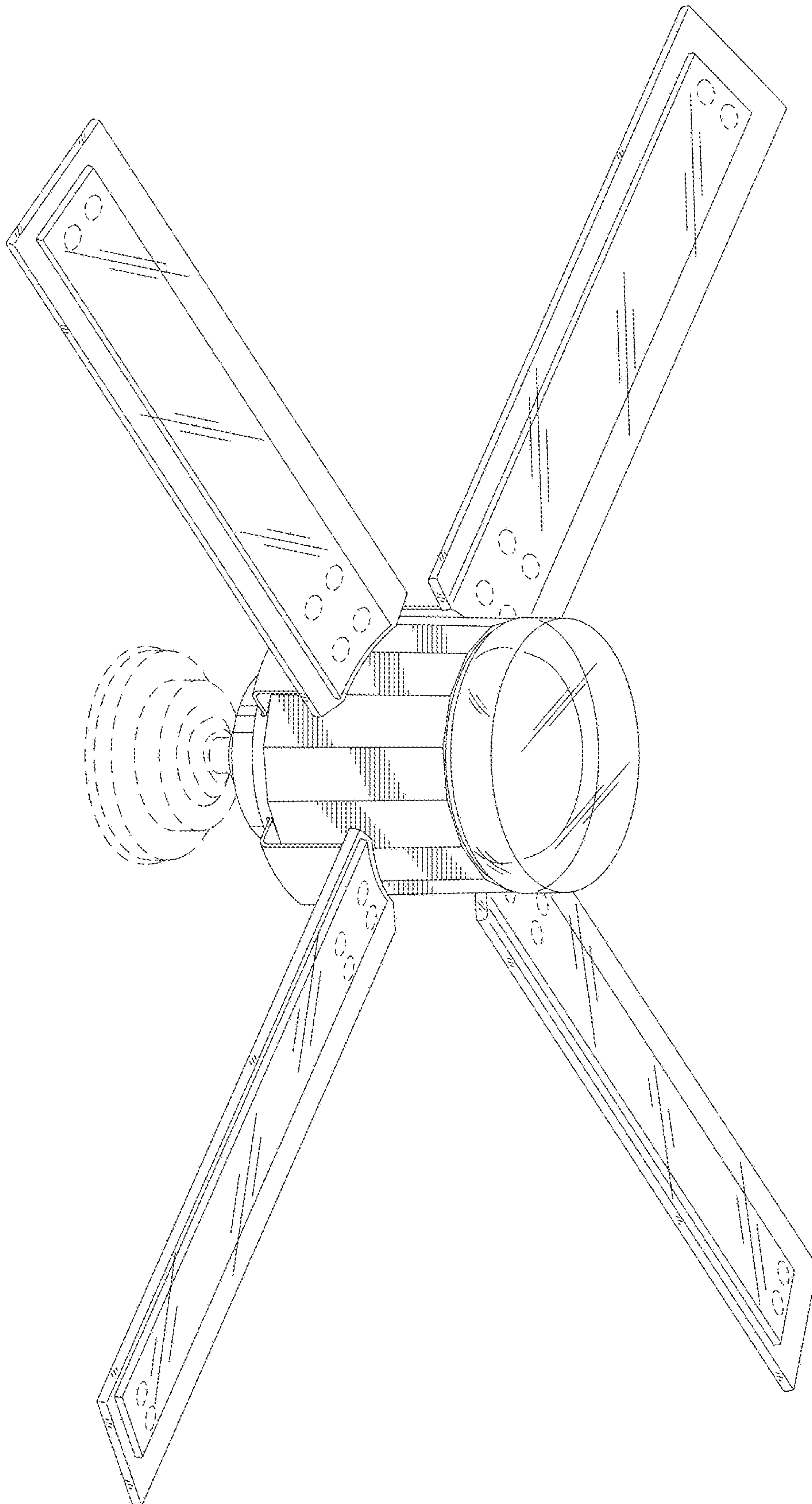


FIG.2

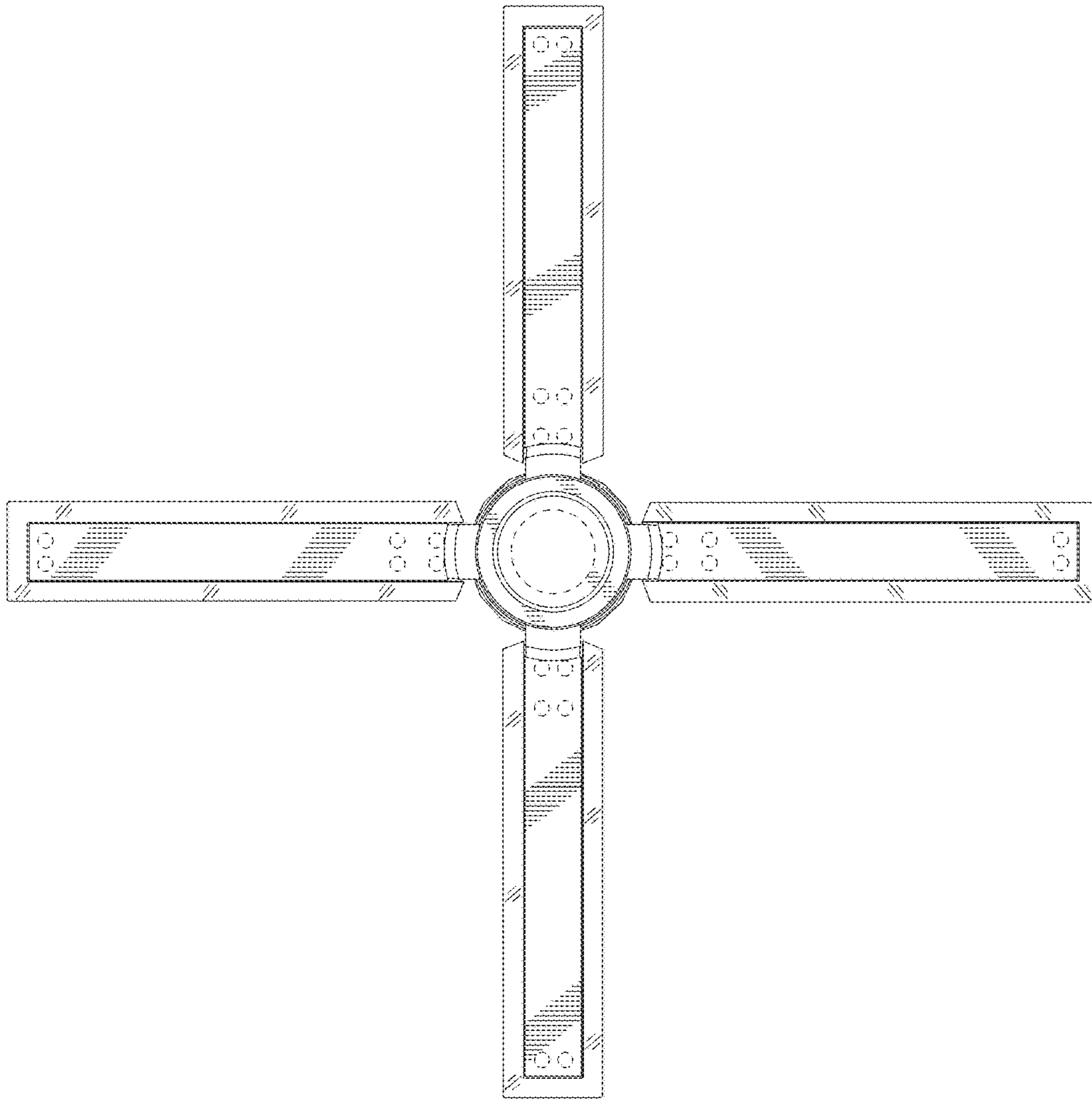


FIG.3

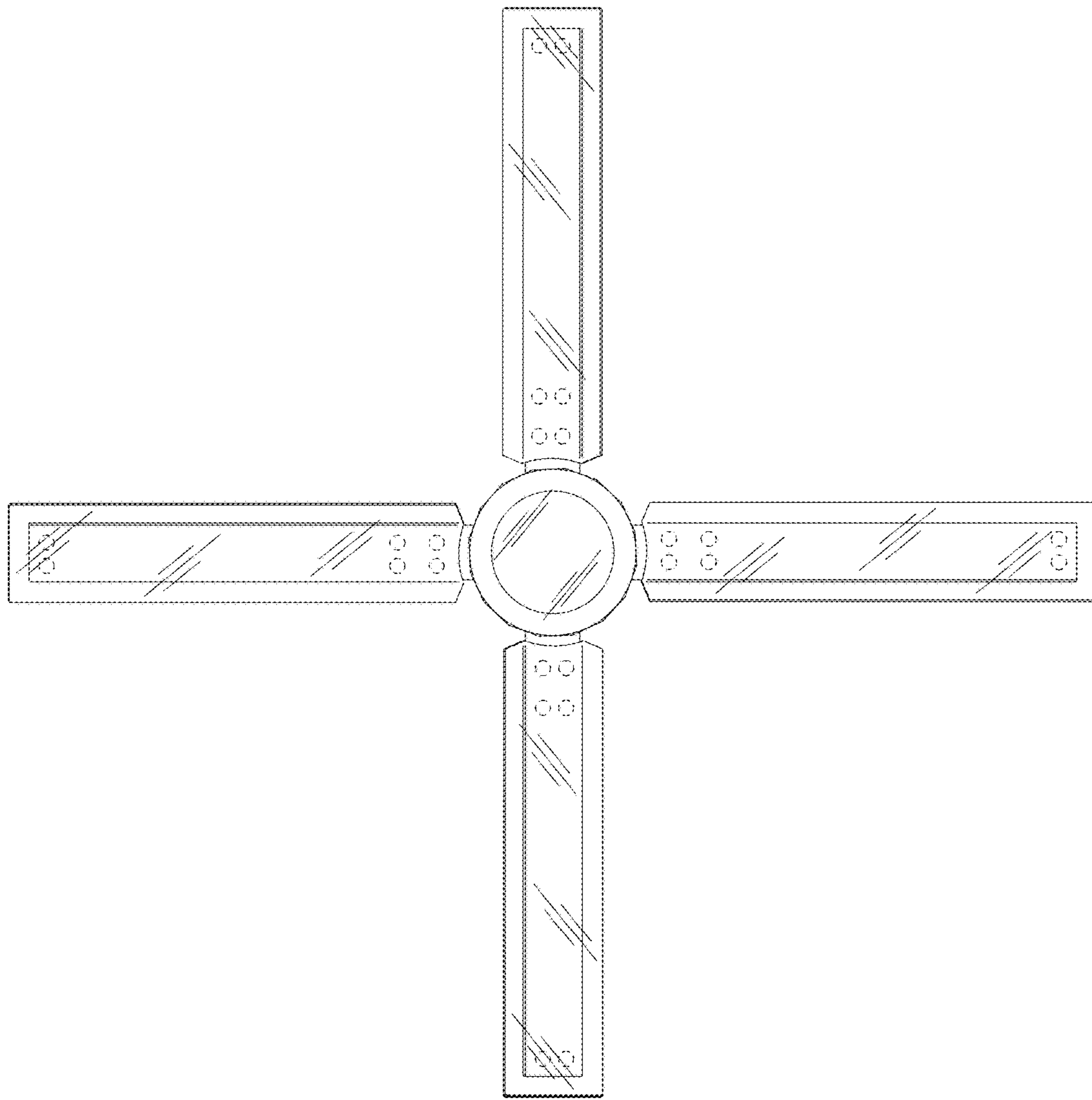


FIG.4

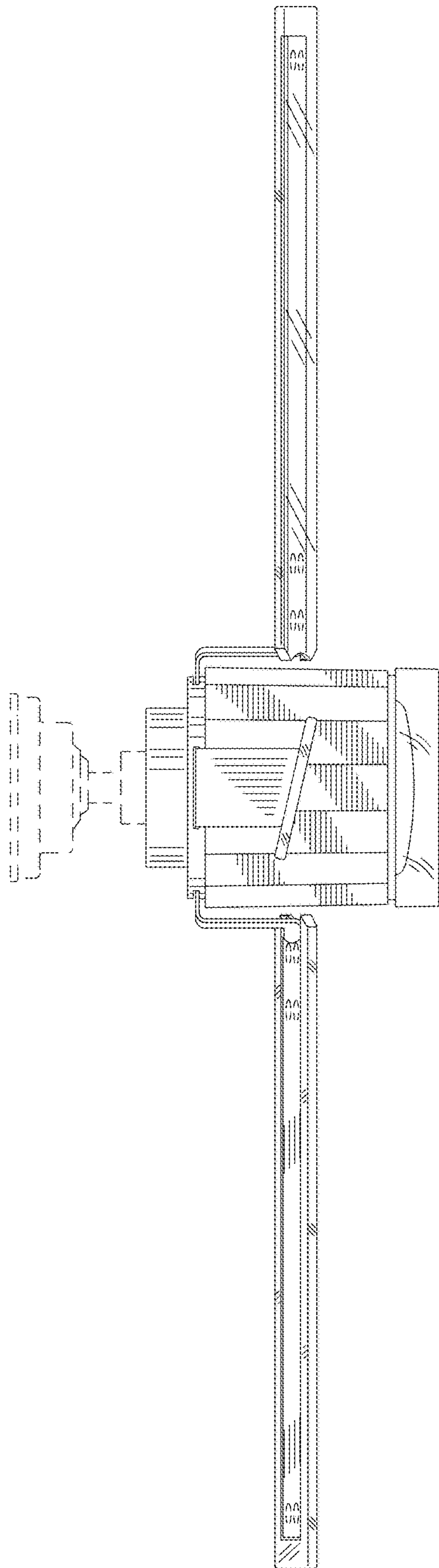


FIG. 5