



US00D805618S

(12) **United States Design Patent** (10) **Patent No.:** **US D805,618 S**  
**Dent** (45) **Date of Patent:** **\*\* Dec. 19, 2017**

(54) **REGULATOR FOR A HEATING INSTALLATION**  
(71) Applicant: **STEGO-Holding GmbH**, Schwäbisch Hall (DE)  
(72) Inventor: **Robert Dent**, Schwäbisch Hall (DE)  
(73) Assignee: **STEGO-HOLDING GMBH**, Schwäbisch Hall (DE)

D333,792 S 3/1993 Odom, Jr.  
D346,978 S 5/1994 Giese  
D394,842 S 6/1998 Kellstedt, Jr.  
D398,585 S 9/1998 Richman  
D480,055 S 9/2003 Droulin  
D480,368 S 10/2003 Droulin  
D502,652 S 3/2005 Stekelenburg  
(Continued)

(\*\*) Term: **15 Years**  
(21) Appl. No.: **29/607,850**  
(22) Filed: **Jun. 16, 2017**

**FOREIGN PATENT DOCUMENTS**

DE 10 2009 039 507 A1 3/2011  
DE 10 2010 033 728 A1 5/2011  
(Continued)

**Related U.S. Application Data**

(62) Division of application No. 29/551,399, filed on Jan. 13, 2016.

**Foreign Application Priority Data**

Jul. 13, 2015 (EM) ..... 002735860

(51) **LOC (10) Cl.** ..... **23-03**  
(52) **U.S. Cl.**  
USPC ..... **D23/342**; D10/50  
(58) **Field of Classification Search**  
USPC ..... D23/342; D13/162, 162.1; D10/49, 50;  
D14/446  
CPC .. F28F 1/0475; F28F 1/10; F28F 1/126; F28F  
1/325; F28F 1/18; F28F 1/28; F23D  
14/06; H02G 3/08  
See application file for complete search history.

**OTHER PUBLICATIONS**

International Search Report dated Oct. 19, 2016, in PCT Application No. PCT/EP2016/066071, provided in German.  
(Continued)

*Primary Examiner* — Sheryl Lane  
*Assistant Examiner* — Calvin E Vansant  
(74) *Attorney, Agent, or Firm* — Hassan Abbas Shakir;  
Katten Muchin Rosenman LLP

(57) **CLAIM**

The ornamental design of the regulator for a heating installation, as shown and described.

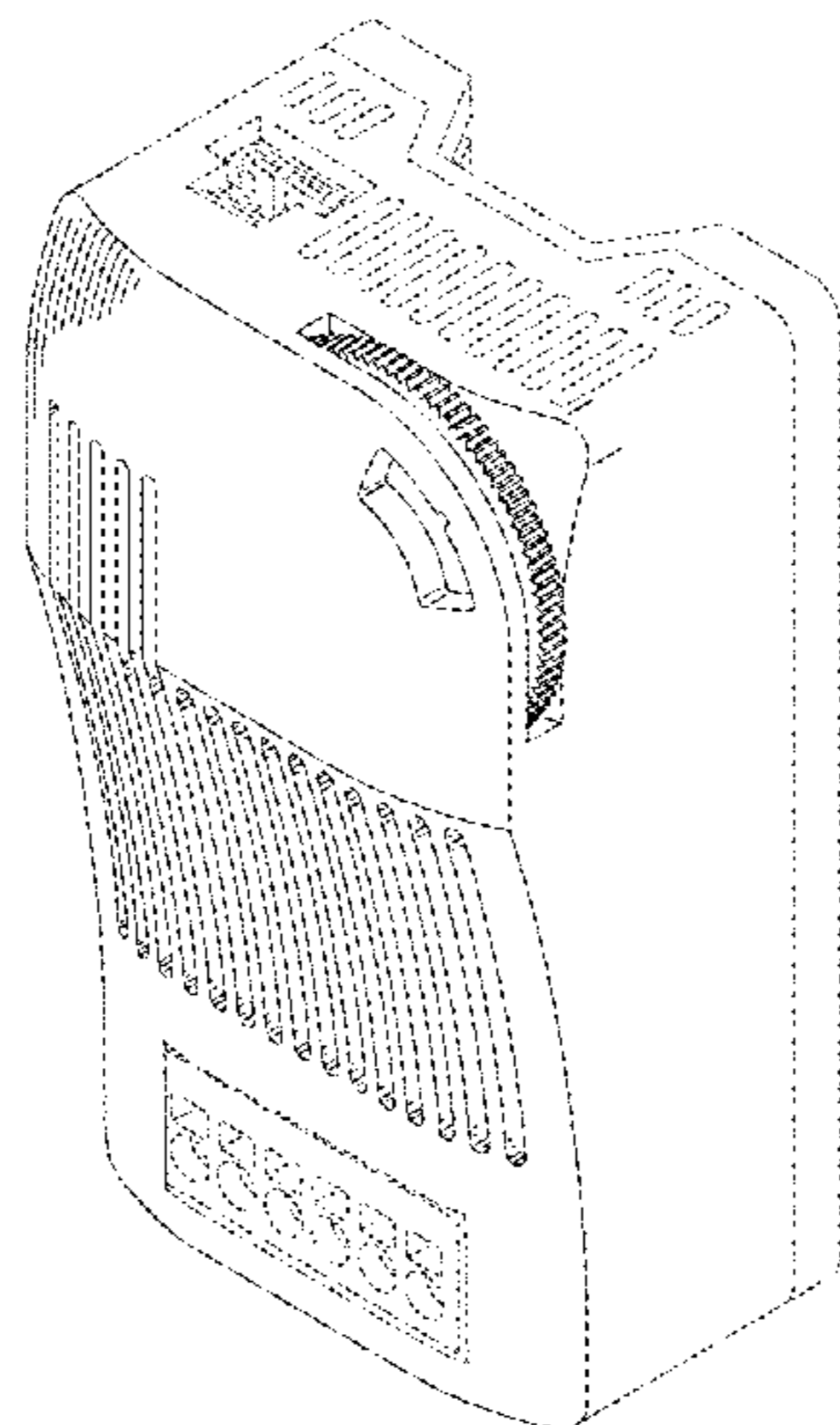
**DESCRIPTION**

FIG. 1 is a front isometric view of the regulator for a heating installation;  
FIG. 2 is a front view of the regulator;  
FIG. 3 is a rear view of the regulator;  
FIG. 4 is a left-side view of the regulator;  
FIG. 5 is a right-side view of the regulator;  
FIG. 6 is a top view of the regulator; and,  
FIG. 7 is a bottom view of the regulator.  
The broken lines depict portions of the regulator for a heating installation that form no part of the claim.

(56) **References Cited**  
U.S. PATENT DOCUMENTS

D201,914 S 8/1965 Monson et al.  
D254,613 S 4/1980 Ault  
D266,841 S 11/1982 Vintzel  
4,620,263 A 10/1986 Ito  
5,105,336 A 4/1992 Jacoby et al.

**1 Claim, 7 Drawing Sheets**



(56)

**References Cited**

U.S. PATENT DOCUMENTS

D554,069 S 10/2007 Bolotin  
D558,072 S 12/2007 Simon  
D576,561 S 9/2008 Kaluza  
D602,382 S 10/2009 Kennedy  
D664,633 S 7/2012 Mangold  
D754,613 S 4/2016 Downs  
2010/0039776 A1 2/2010 Nuki  
2010/0302728 A1 12/2010 Knaup et al.  
2011/0069451 A1 3/2011 Hobein et al.

FOREIGN PATENT DOCUMENTS

EP 1 713 099 A1 10/2006  
EP 2299582 A1 3/2011

OTHER PUBLICATIONS

Office Action dated Feb. 12, 2016 in related application DE 10 2015 111 298.1 issued by the German Patent Office, partial machine translation provided.

File History of related application U.S. Appl. No. 29/551,399, retrieved Jun. 13, 2017.

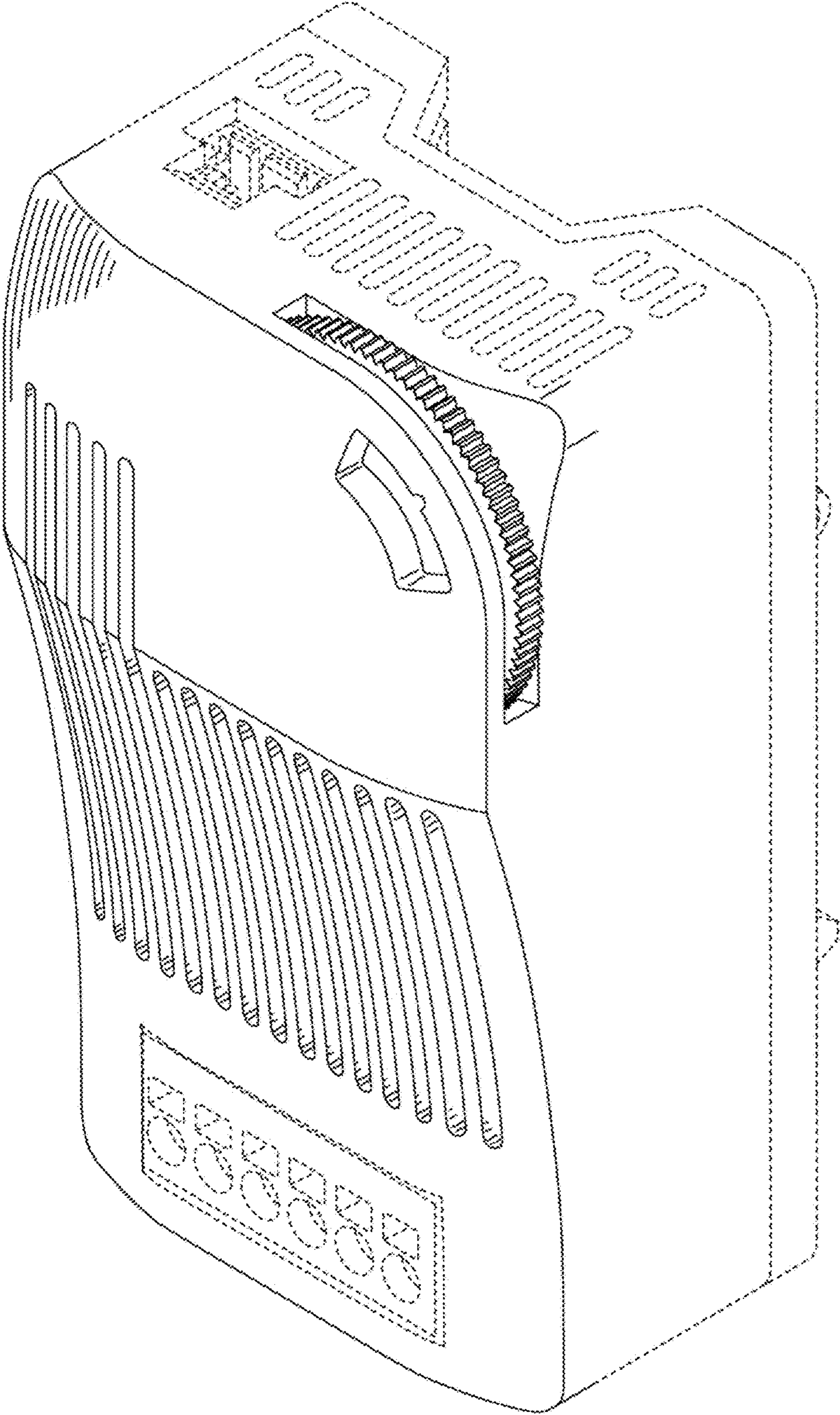


FIG. 1

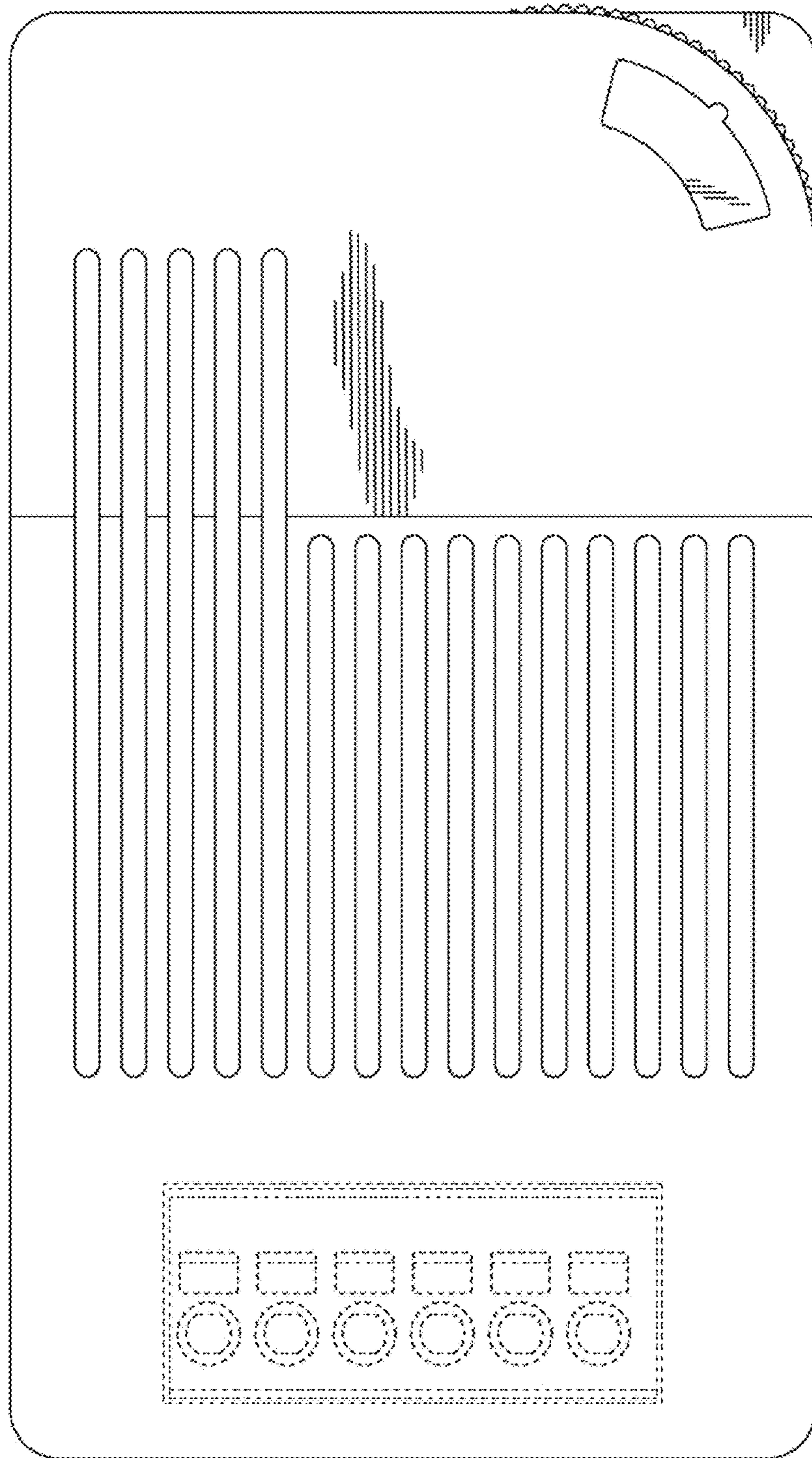


FIG. 2

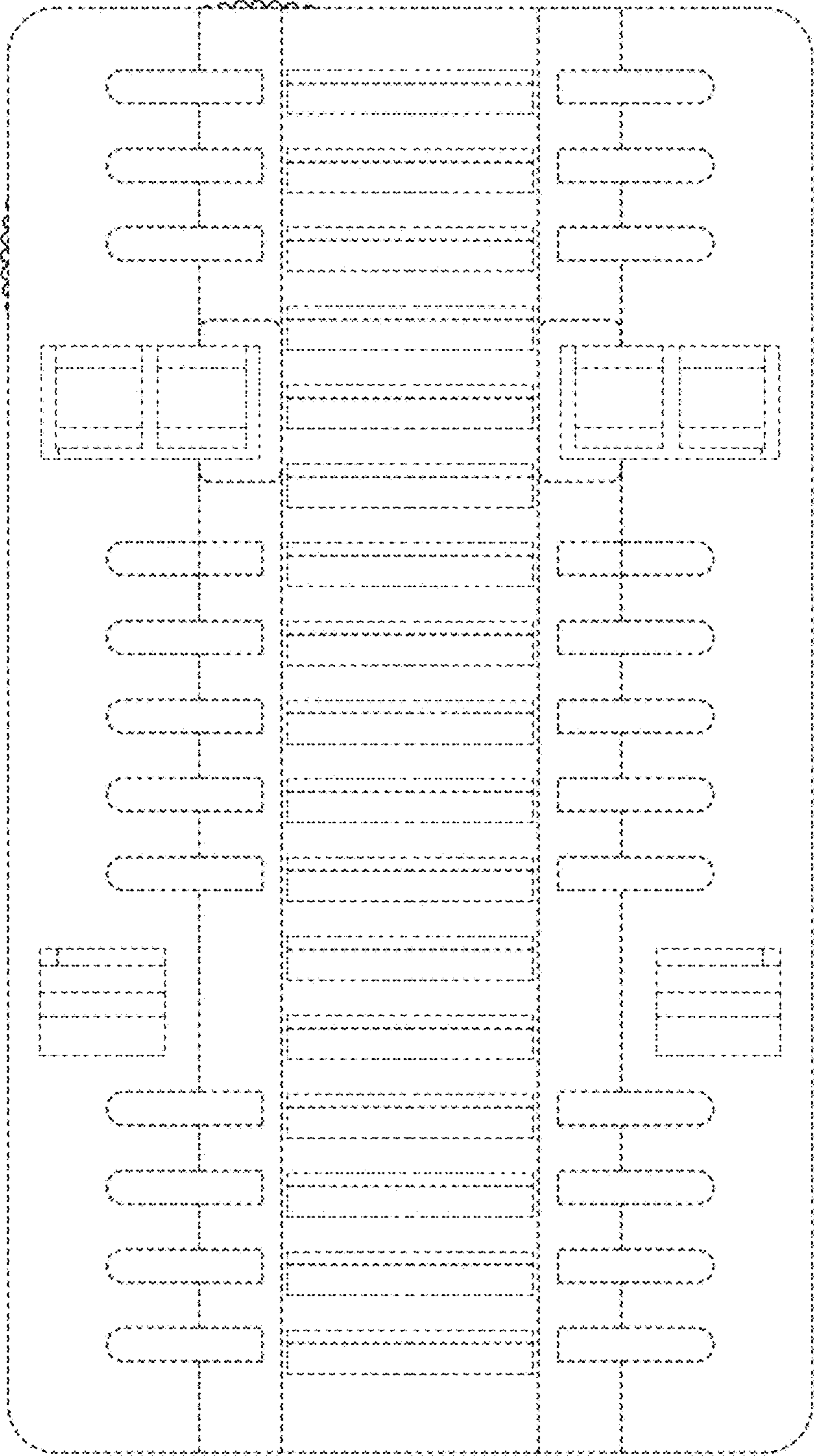


FIG. 3

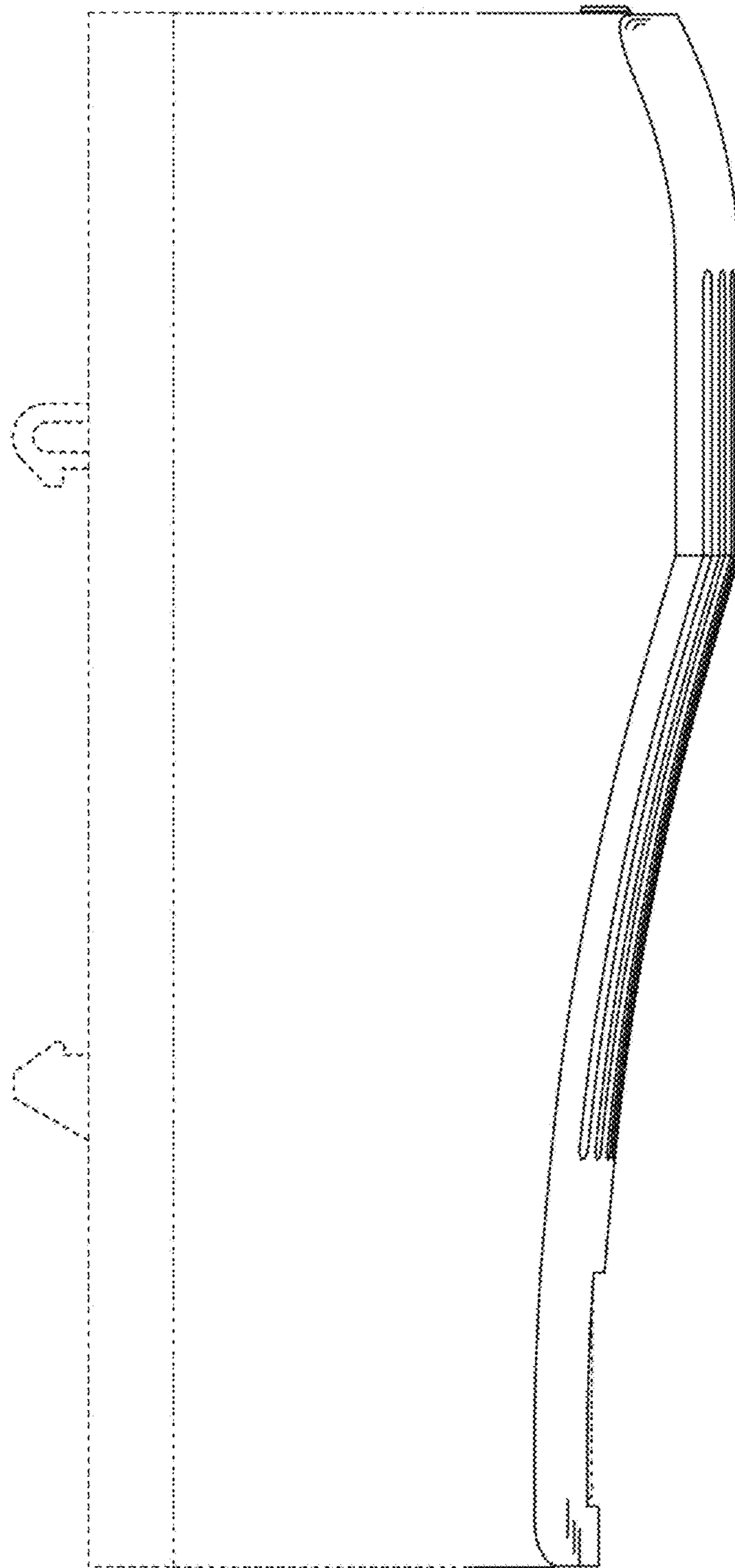


FIG. 4

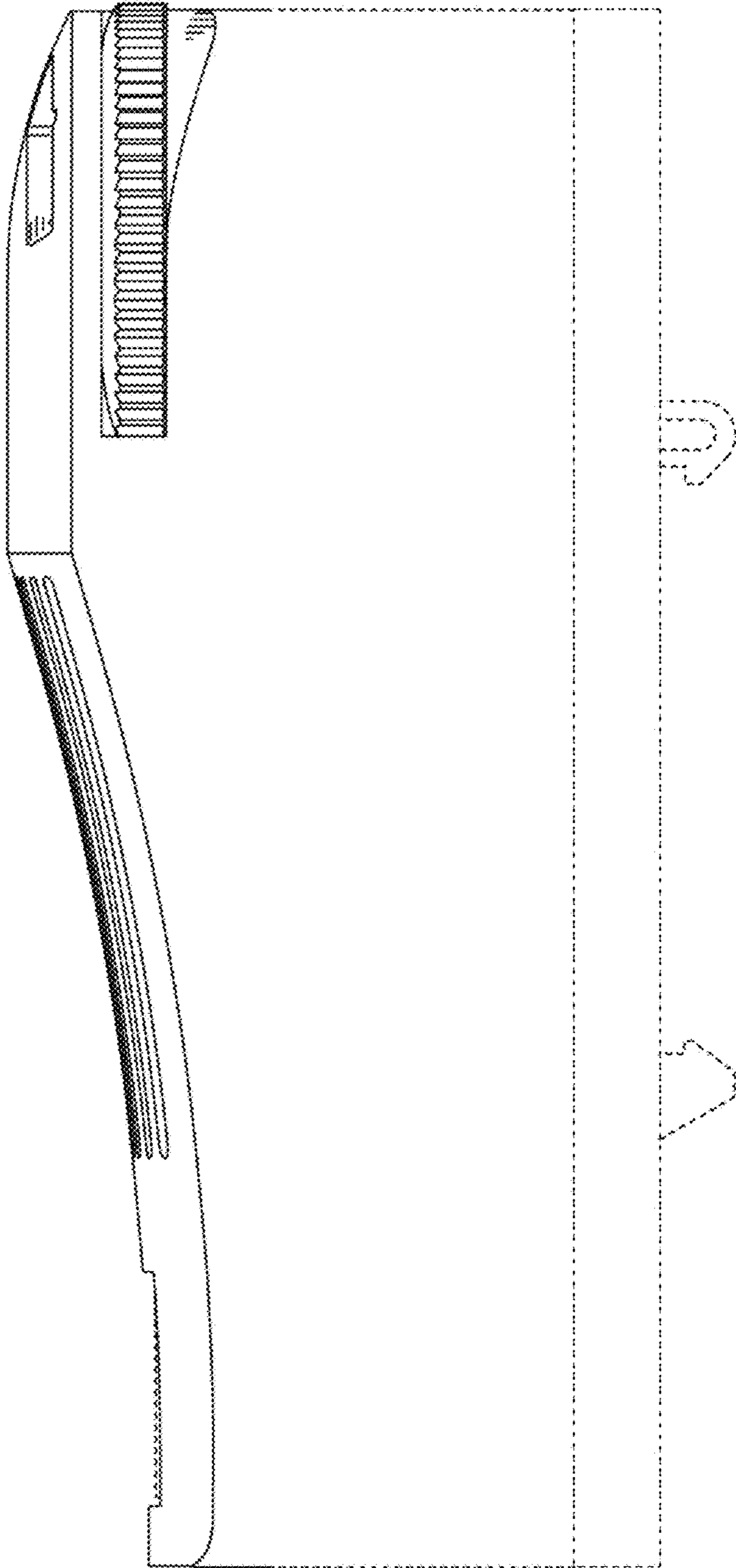


FIG. 5

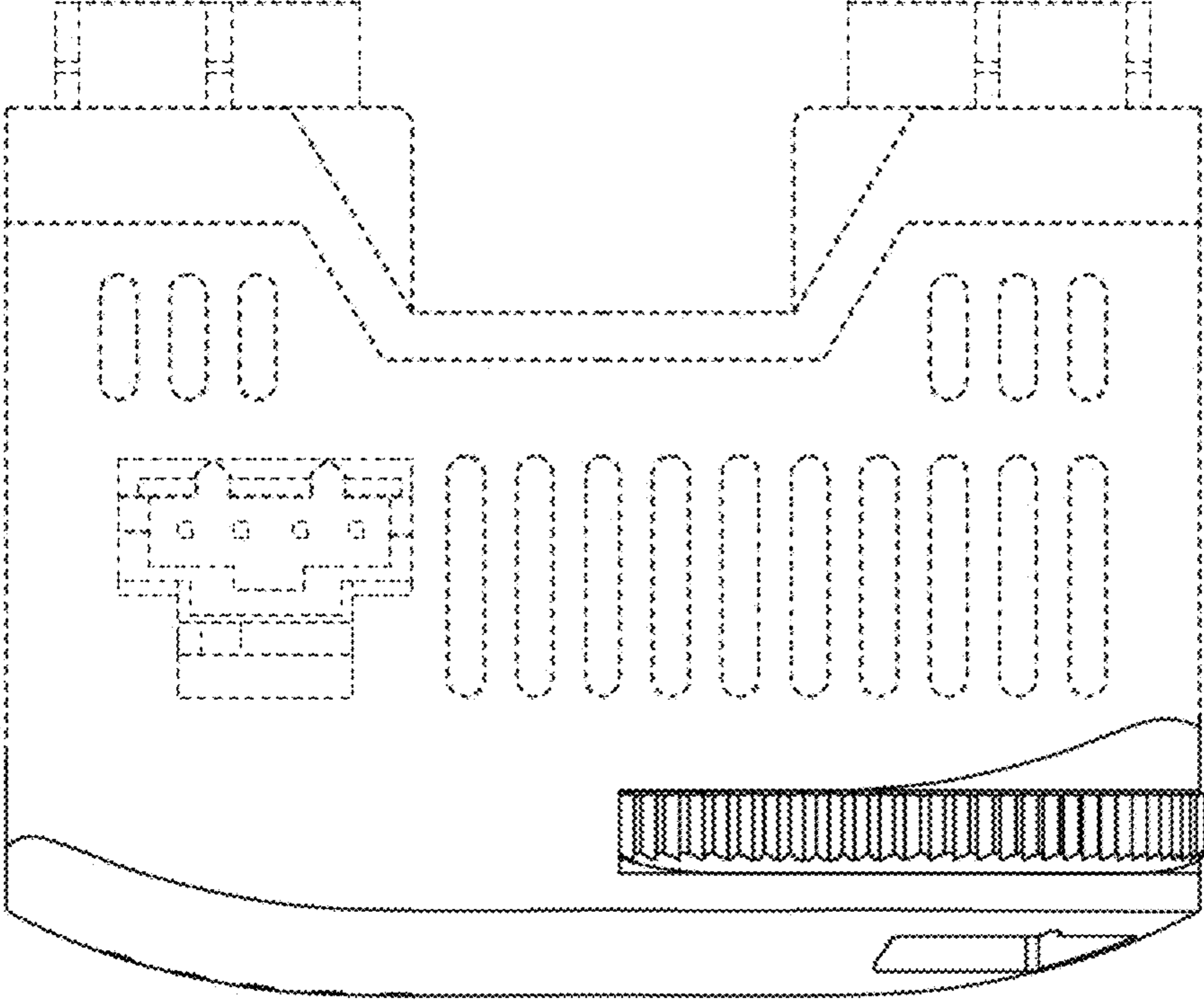


FIG. 6



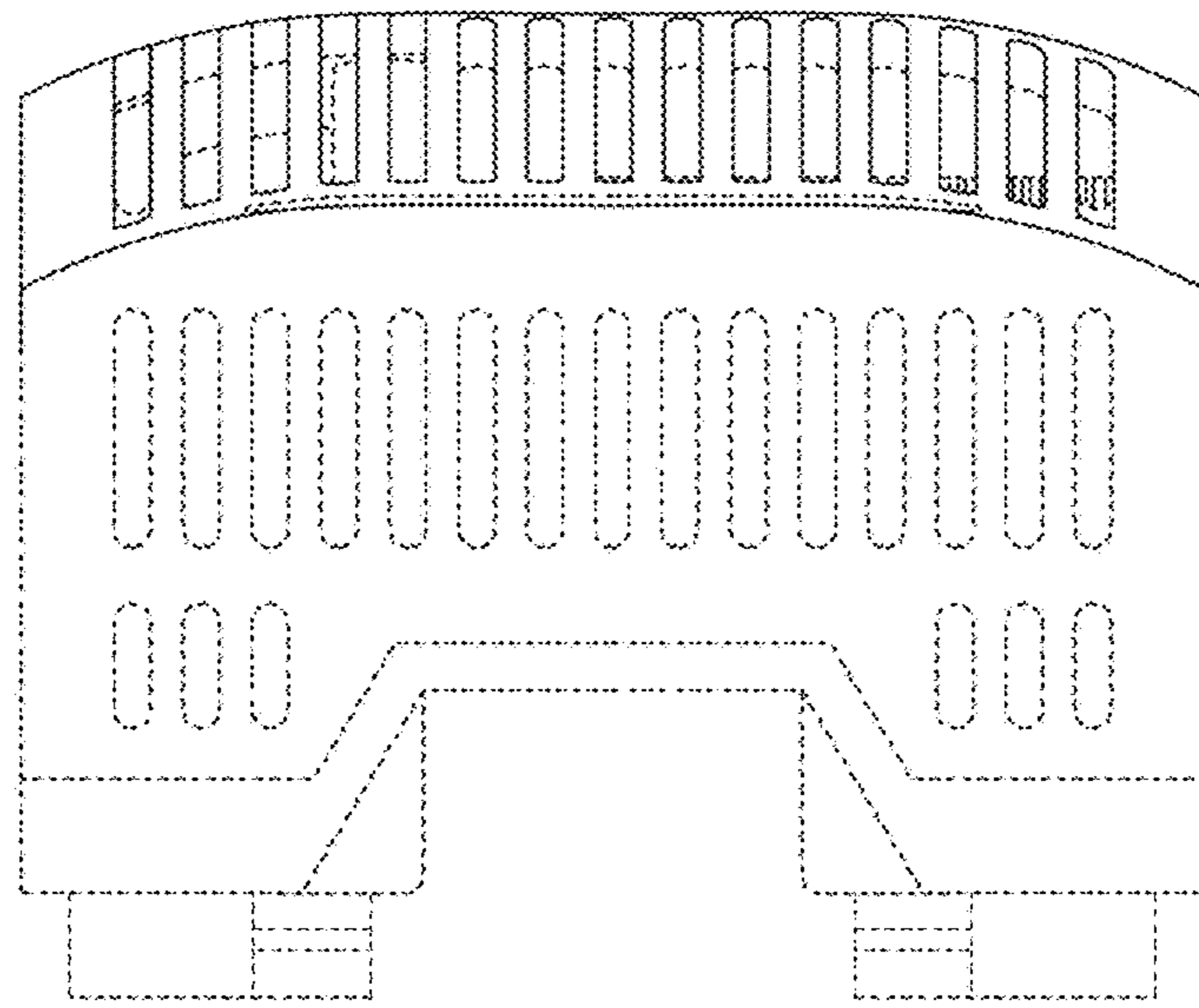


FIG. 7