



US00D805615S

(12) **United States Design Patent**
Schwab et al.

(10) **Patent No.:** **US D805,615 S**

(45) **Date of Patent:** **** Dec. 19, 2017**

(54) **COMBINED BIDET SEAT AND COVER**

(71) Applicant: **Whole Bath, LLC**, East Chatham, NY
(US)

(72) Inventors: **Brian Schwab**, East Chatham, NY
(US); **Shao-Yu Peng**, Changhua County
(TW)

(73) Assignee: **Whole Bath**

(**) Term: **15 Years**

(21) Appl. No.: **29/563,766**

(22) Filed: **May 6, 2016**

(51) **LOC (10) Cl.** **23-02**

(52) **U.S. Cl.**
USPC **D23/311**

(58) **Field of Classification Search**
None
See application file for complete search history.

(56) **References Cited**

U.S. PATENT DOCUMENTS

D355,246 S	2/1995	Kawamura et al.	
D367,922 S	3/1996	Kobayashi et al.	
D387,851 S	12/1997	Pieters	
D423,655 S *	4/2000	Otte	D23/311
D432,220 S	10/2000	Hulsebus et al.	
D435,638 S *	12/2000	Merry	D23/311
D451,177 S *	11/2001	Scholpp	D23/311
6,449,780 B1 *	9/2002	Merry	A47K 13/06 4/235
D471,966 S *	3/2003	Hatakenaka	D23/311
D485,337 S	1/2004	Tani et al.	
D500,130 S	12/2004	Jung	
D538,907 S	3/2007	Kaule	
D583,030 S	12/2008	Kubayashi et al.	
D594,537 S *	6/2009	Driedger	D23/311
D594,945 S	6/2009	Nakasaka et al.	

D608,426 S	1/2010	Ando et al.
D639,399 S	6/2011	Tacheuchi et al.
D639,400 S	6/2011	Kang
D688,359 S	8/2013	Ogata et al.
D692,541 S	10/2013	Hosoi et al.
D703,797 S	4/2014	Shinozaki
D704,316 S	5/2014	Ishikawa et al.

(Continued)

Primary Examiner — Robert A Delehanty

(74) *Attorney, Agent, or Firm* — Ya-Fen Chen

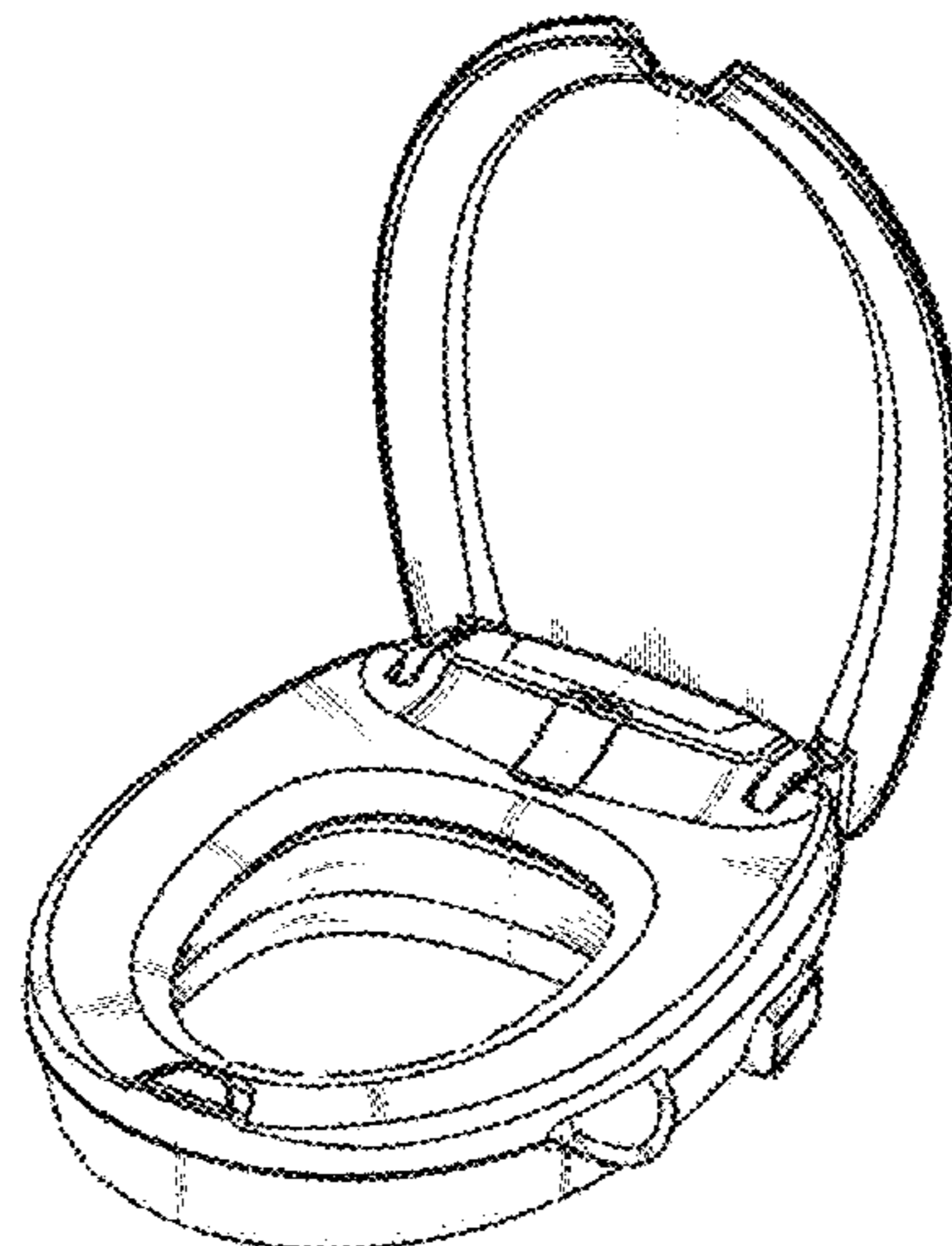
(57) **CLAIM**

The ornamental design for a combined bidet seat and cover, as shown and described.

DESCRIPTION

FIG. 1 is a front elevational view of a combined bidet seat and cover with the cover in a raised position;
 FIG. 2 is a top view thereof;
 FIG. 3 is a back view thereof;
 FIG. 4 is a front view thereof;
 FIG. 5 is a left side elevational view thereof;
 FIG. 6 is a right side elevational view thereof;
 FIG. 7 is a bottom view thereof;
 FIG. 8 is a front elevational view of the combined bidet seat and cover with the cover in a closed position;
 FIG. 9 is a top view thereof with the cover in a closed position;
 FIG. 10 is a back view thereof with the cover in a closed position;
 FIG. 11 is a front view thereof with the cover in a closed position;
 FIG. 12 is a left side elevational view thereof with the cover in a closed position;
 FIG. 13 is a right side elevational view thereof with the cover in a closed position; and,
 FIG. 14 is a bottom view thereof with the cover in a closed position.

1 Claim, 6 Drawing Sheets



(56)

References Cited

U.S. PATENT DOCUMENTS

D704,317 S 5/2014 Shinozaki
D706,402 S * 6/2014 Yeung D23/311
D717,930 S 11/2014 Kergoet

* cited by examiner



FIG. 1

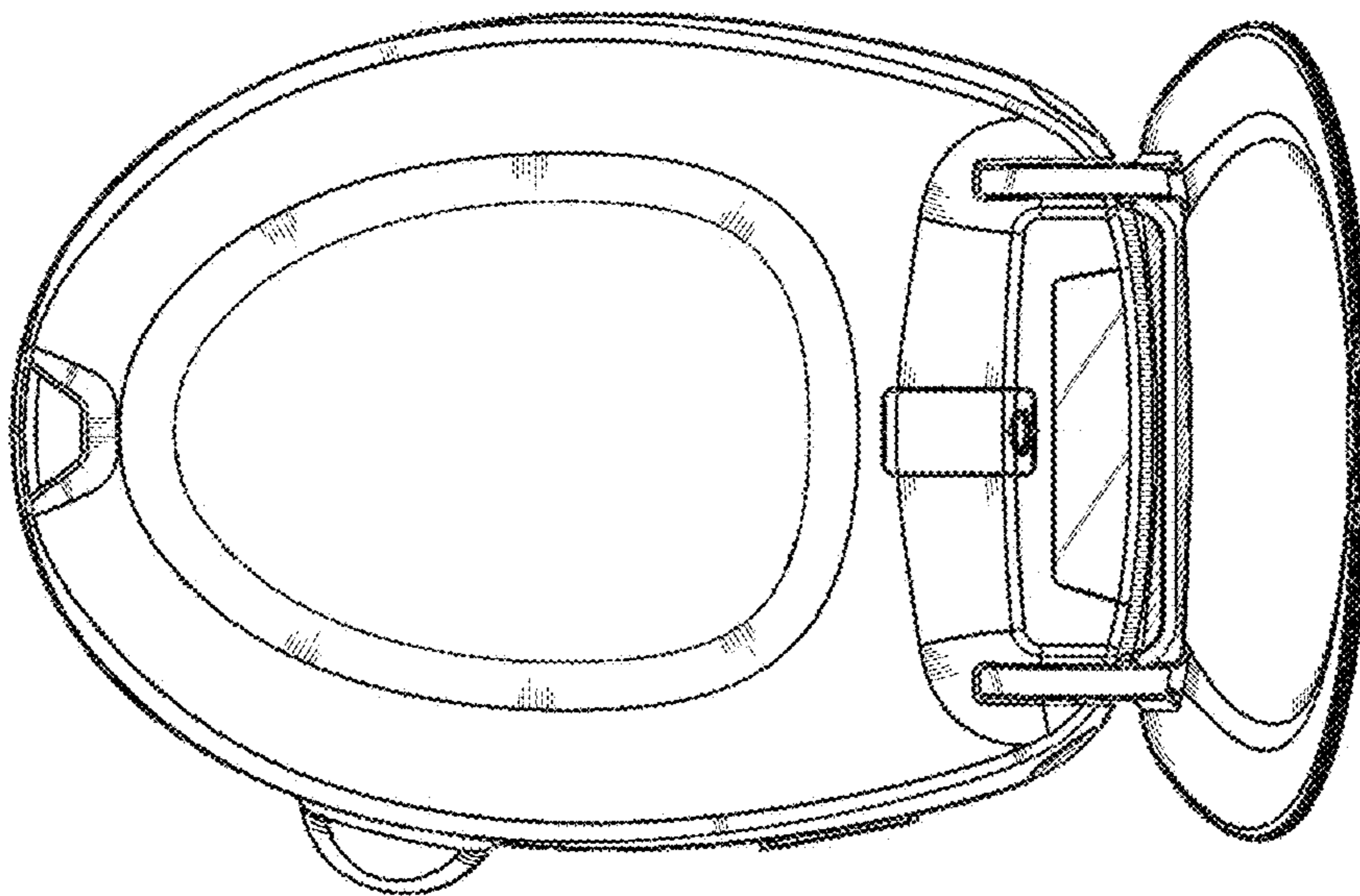


FIG. 2

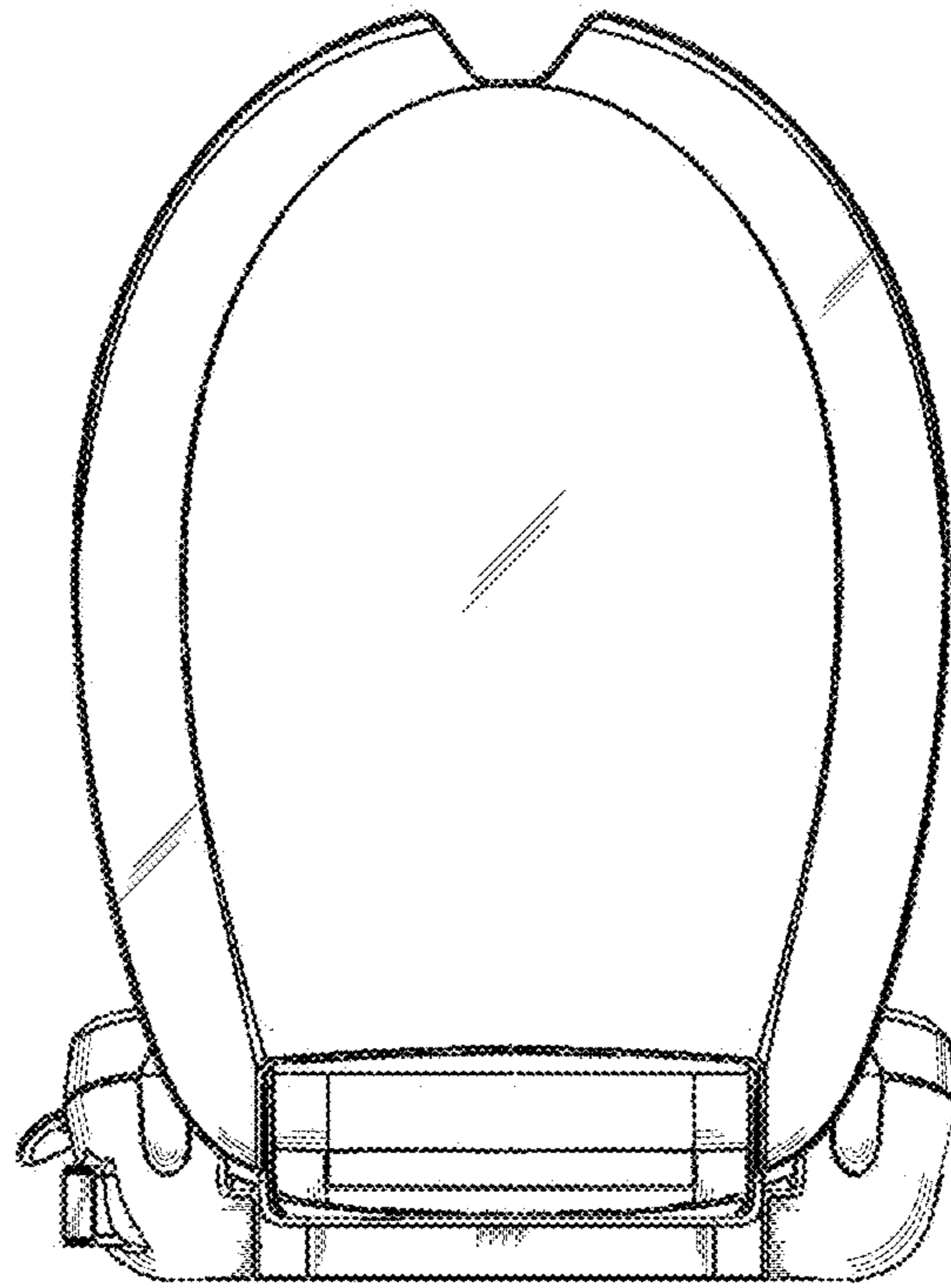


FIG. 3

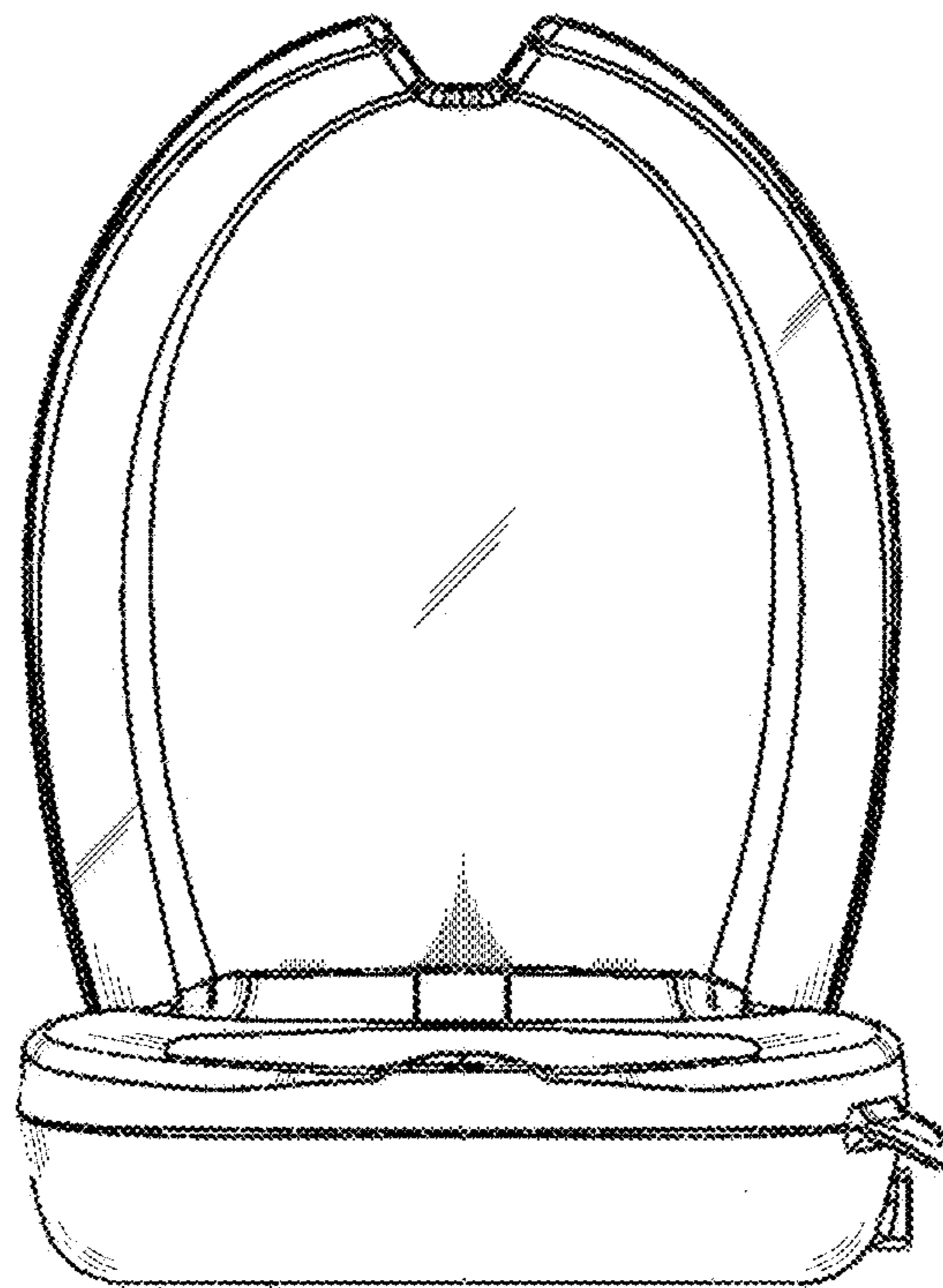


FIG. 4

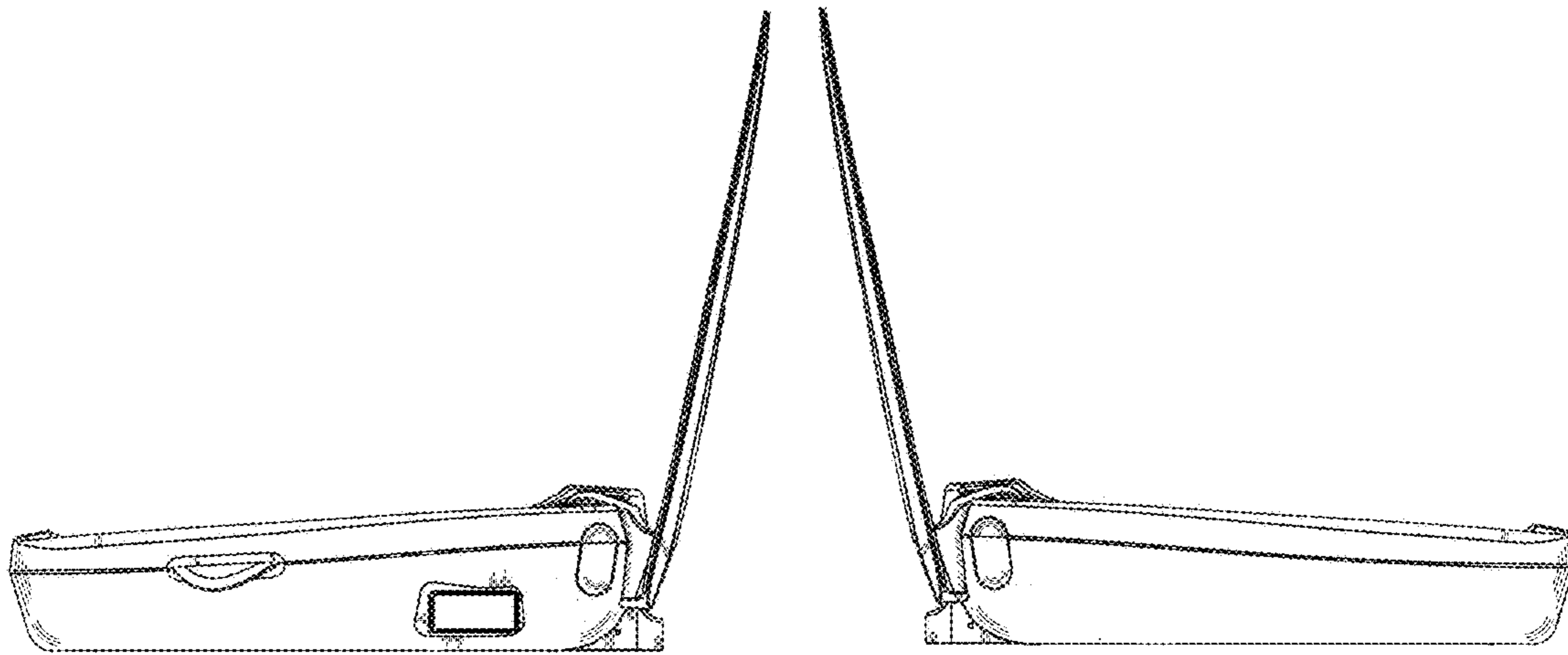


FIG. 5

FIG. 6

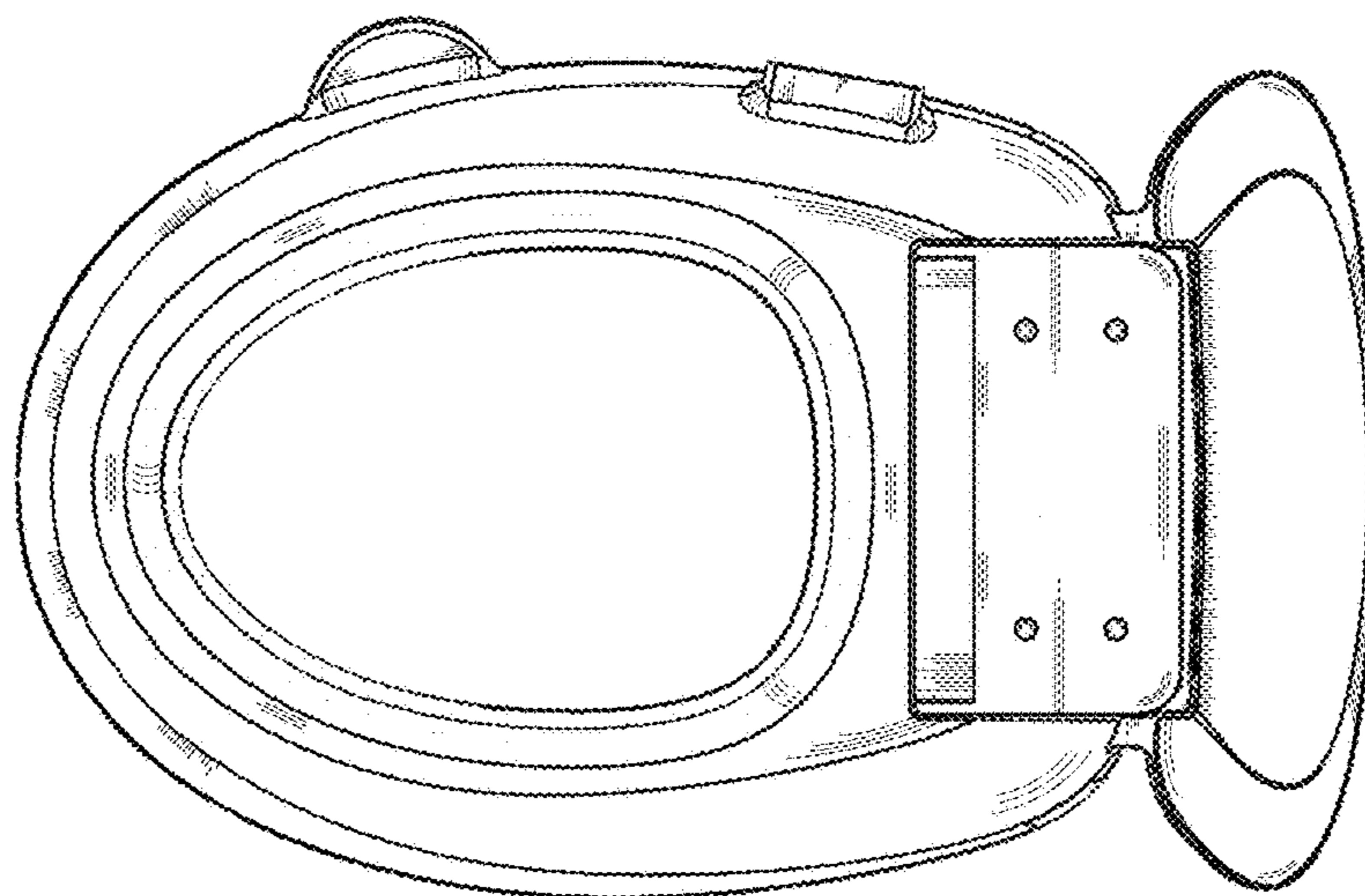


FIG. 7

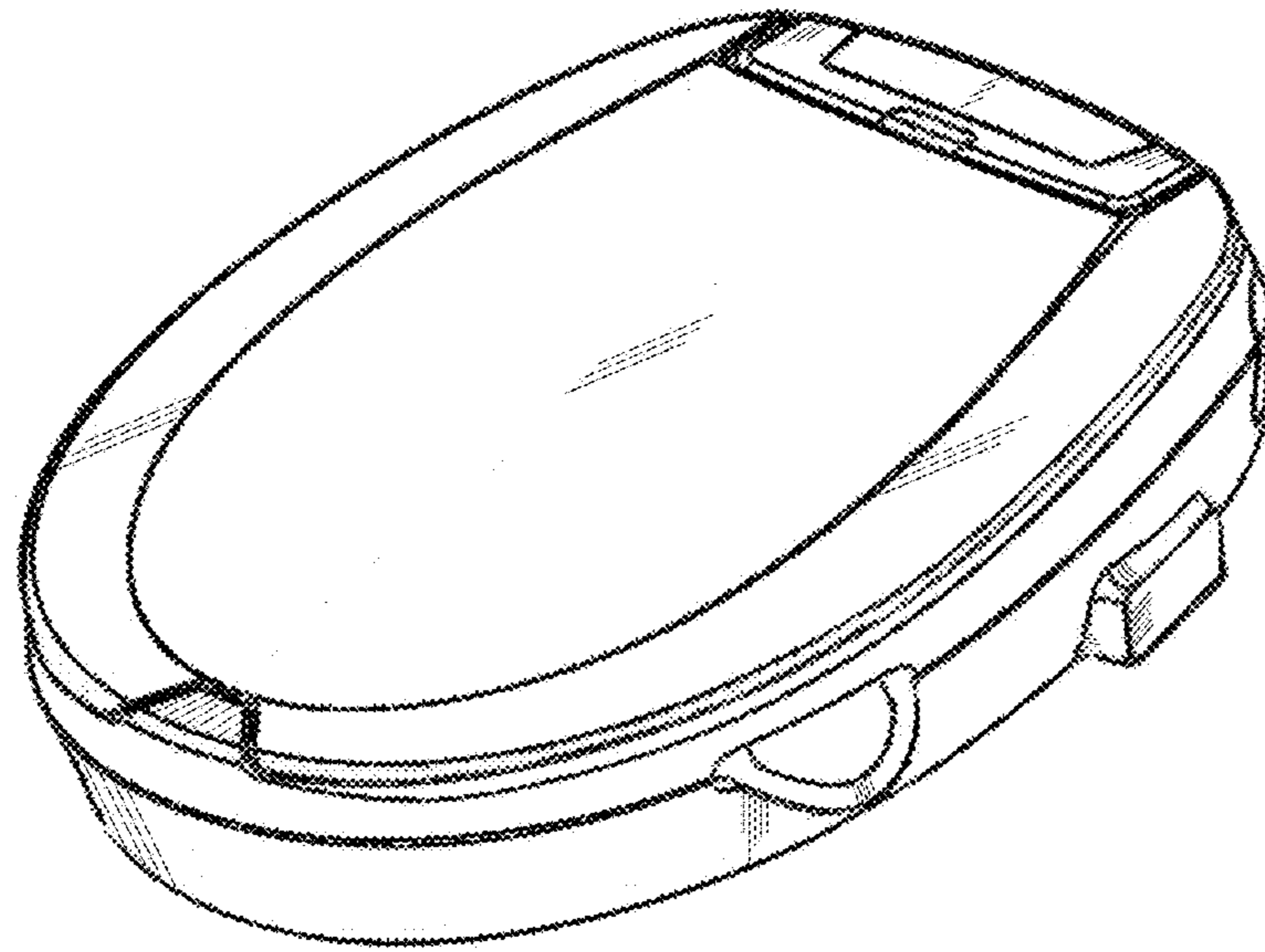


FIG. 8

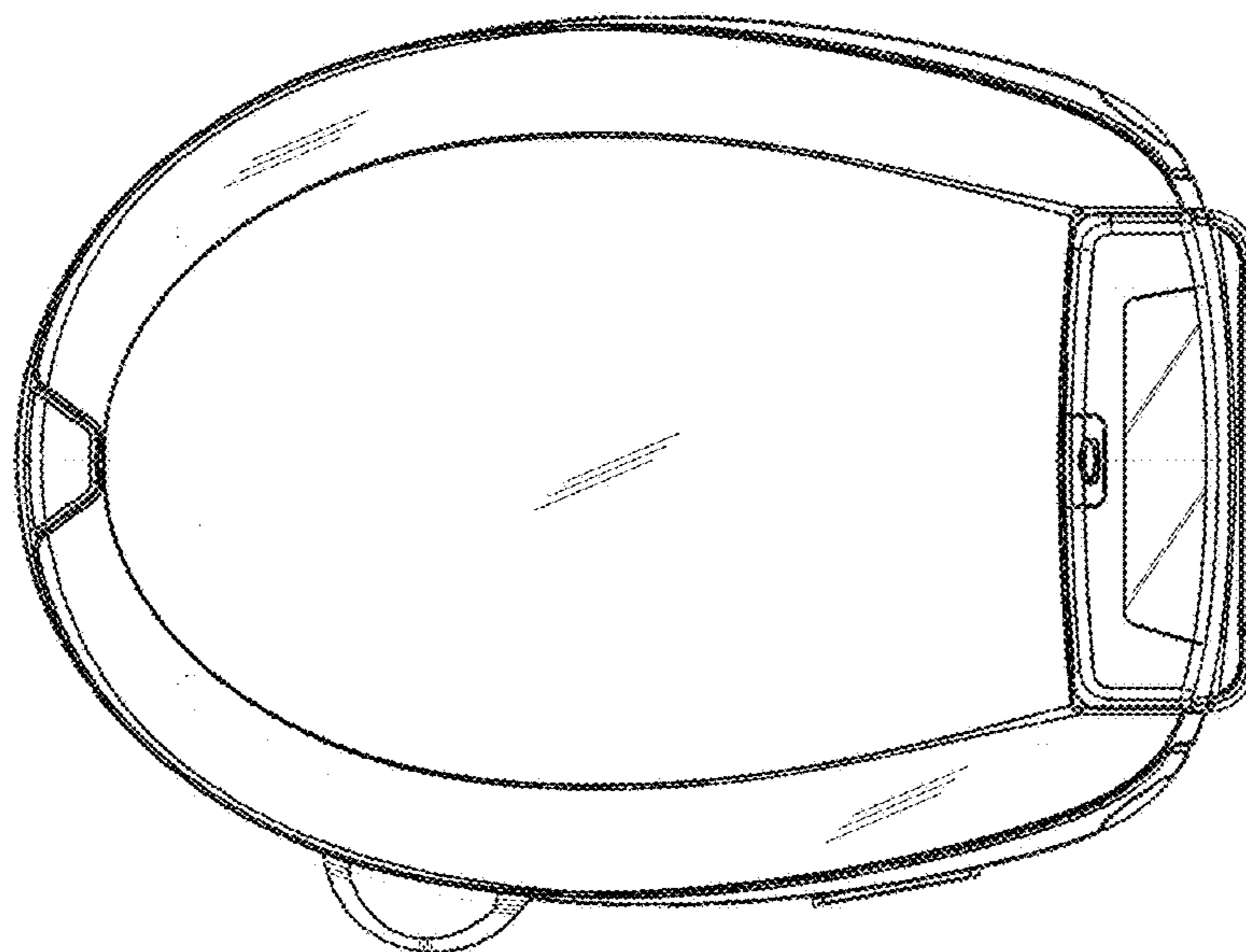


FIG. 9

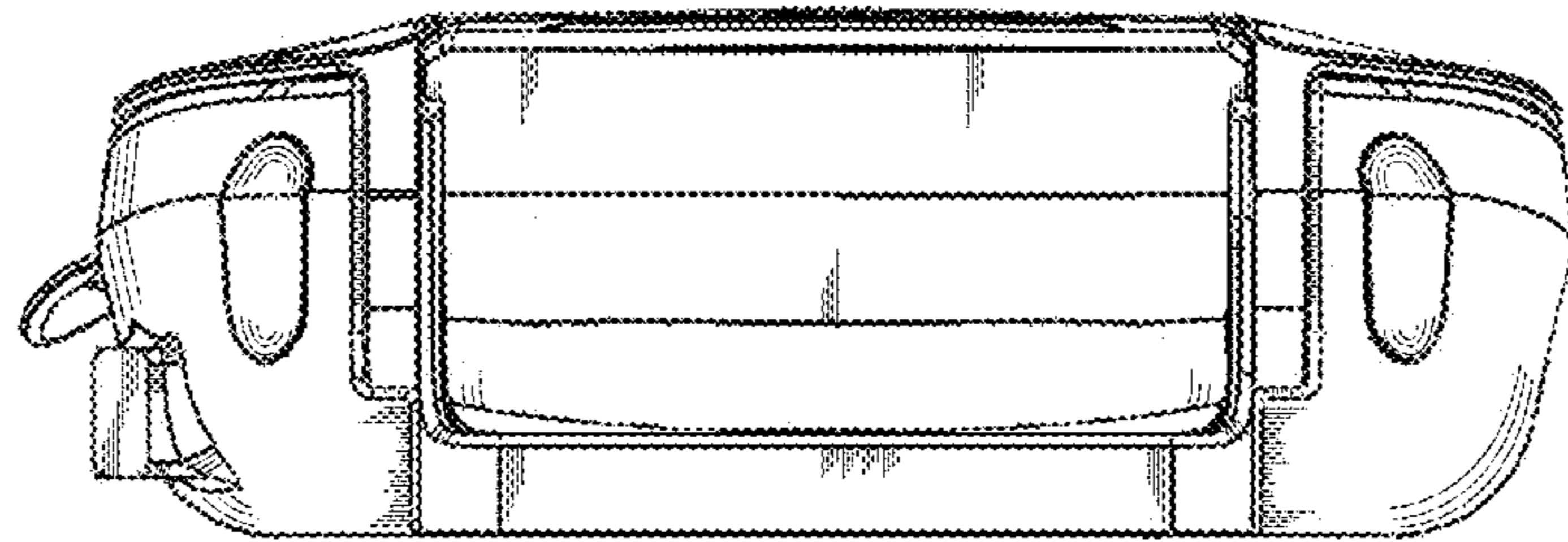


FIG. 10

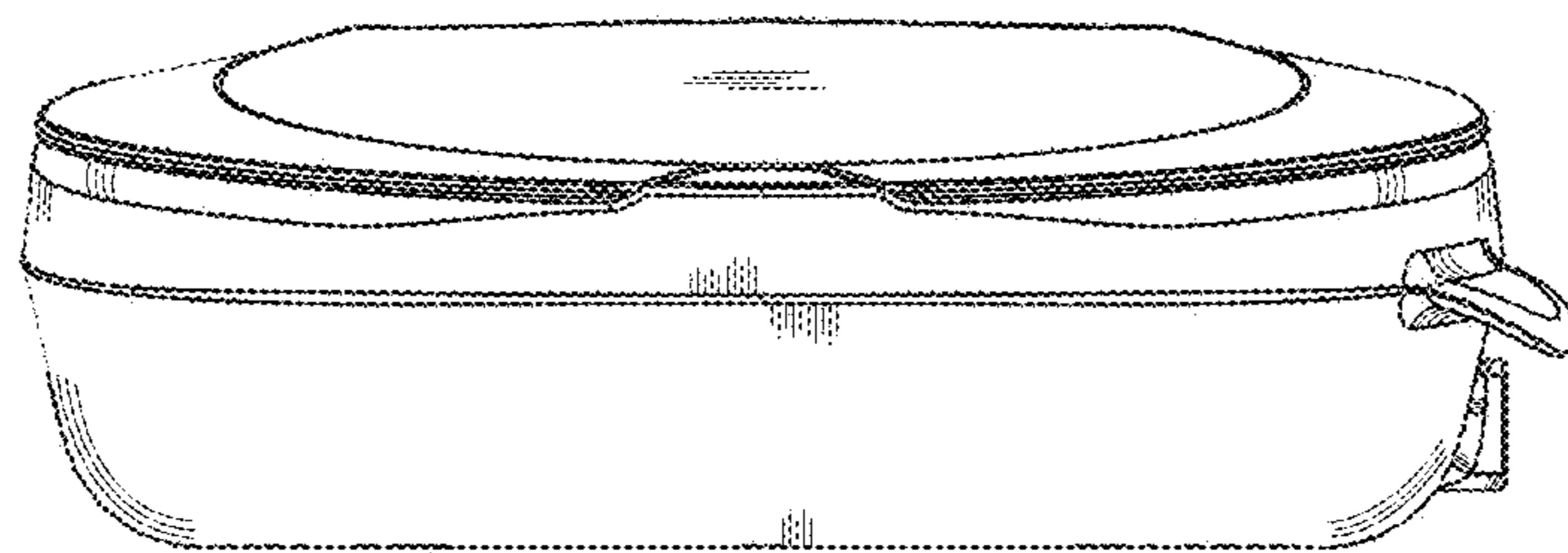


FIG. 11

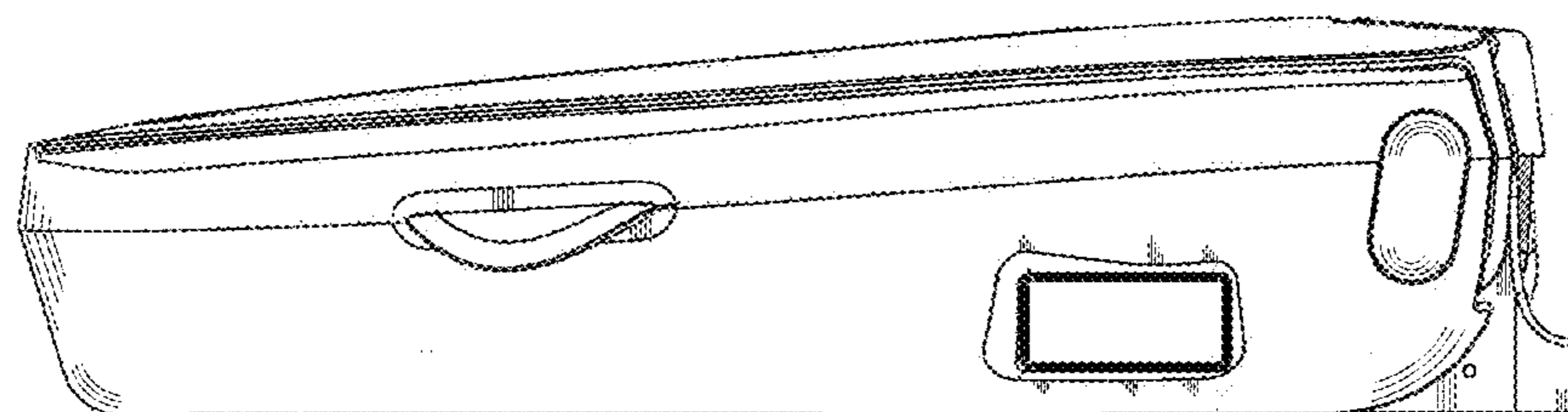


FIG. 12

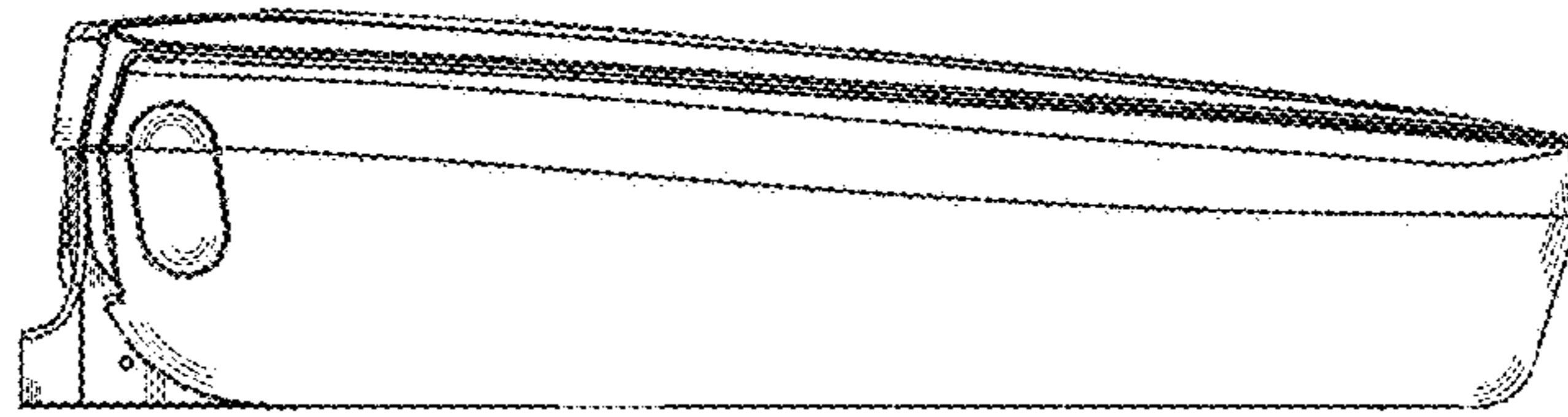


FIG. 13

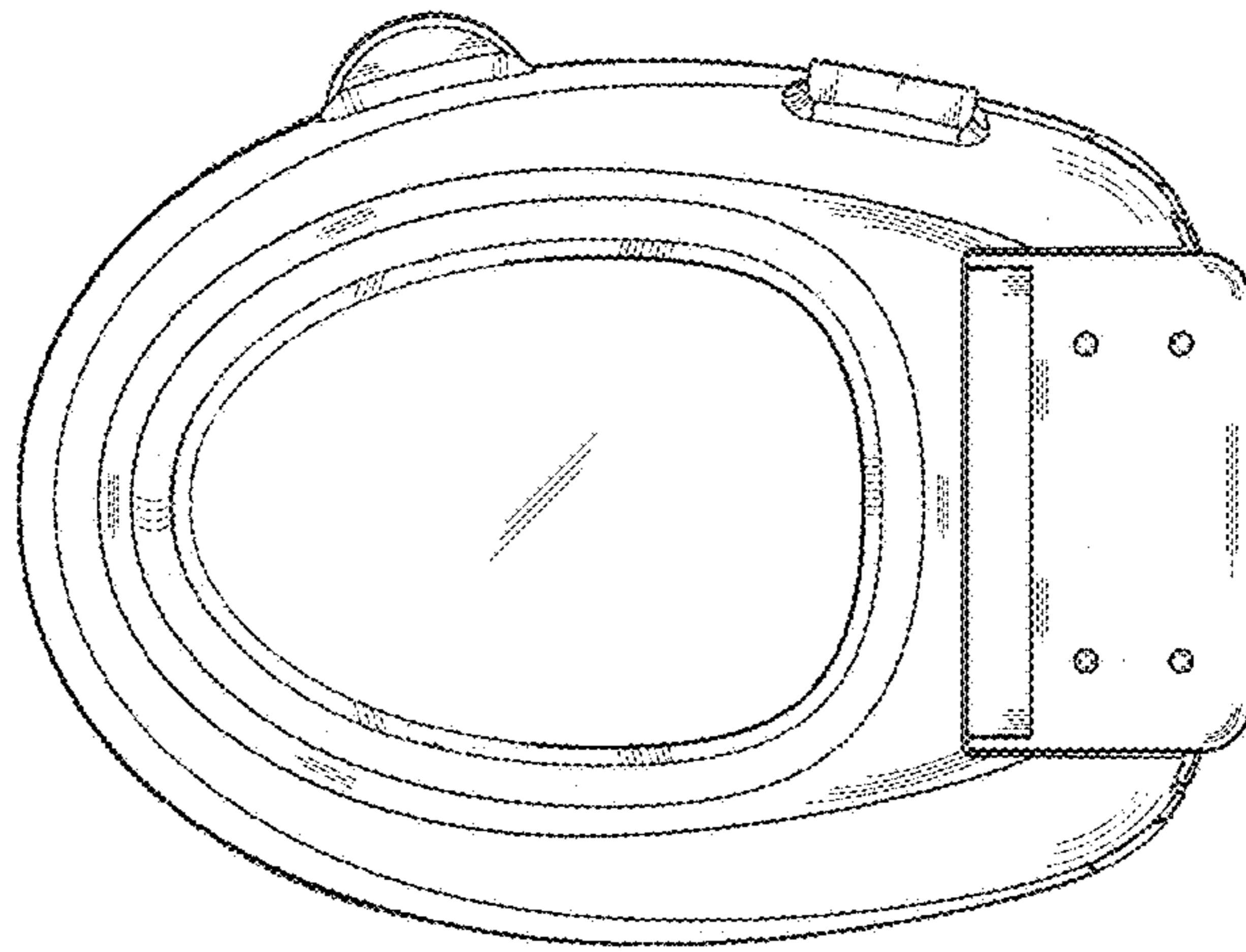


FIG. 14