



US00D805614S

(12) **United States Design Patent**
Nava et al.

(10) **Patent No.:** **US D805,614 S**
(45) **Date of Patent:** **** Dec. 19, 2017**

- (54) **TOILET BIDET DEVICE**
- (71) Applicants: **Esther Nava**, Ganey Tikva (IL); **Ezra Nava**, Ganey Tikva (IL)
- (72) Inventors: **Esther Nava**, Ganey Tikva (IL); **Ezra Nava**, Ganey Tikva (IL)
- (**) Term: **15 Years**
- (21) Appl. No.: **29/570,104**
- (22) Filed: **Jul. 5, 2016**
- (30) **Foreign Application Priority Data**
Jan. 12, 2016 (IL) 57940
- (51) **LOC (10) Cl.** **23-02**
- (52) **U.S. Cl.**
USPC **D23/309**
- (58) **Field of Classification Search**
USPC D23/276, 303, 309, 311-312
CPC E03D 9/08; E03D 11/025; E03D 9/00;
E03D 5/09; A61H 2205/086; A61H
33/6021
See application file for complete search history.

- (56) **References Cited**
U.S. PATENT DOCUMENTS
D213,557 S * 3/1969 Pasquale D23/299
3,513,487 A * 5/1970 Palermo E03D 9/08
4/420.4
3,605,124 A * 9/1971 Marcard et al. E03D 9/08
4/420.2
4,205,402 A * 6/1980 Miller E03D 9/085
4/447
4,334,329 A * 6/1982 Miyanaga E03D 9/08
4/420.1
D277,599 S * 2/1985 Arnold D23/303

- 4,642,820 A * 2/1987 Boring, Jr. E03D 9/08
137/616.7
- 4,926,509 A * 5/1990 Bass E03D 9/08
4/420.4
- 5,023,961 A * 6/1991 Alonso E03D 9/085
248/231.71
- 5,063,618 A * 11/1991 Souka E03D 9/08
4/420.4
- D331,453 S 12/1992 New
- 5,566,402 A * 10/1996 Agha el-Rifai E03D 9/08
4/420.4
- D378,697 S 4/1997 New
- D400,238 S 10/1998 New
- 5,953,766 A * 9/1999 Szoke E03D 9/08
4/420.4
- 6,408,451 B1 * 6/2002 Carn E03D 9/08
4/420.2

* cited by examiner

Primary Examiner — Robert A Delehanty
(74) *Attorney, Agent, or Firm* — Warner Norcross and Judd LLP

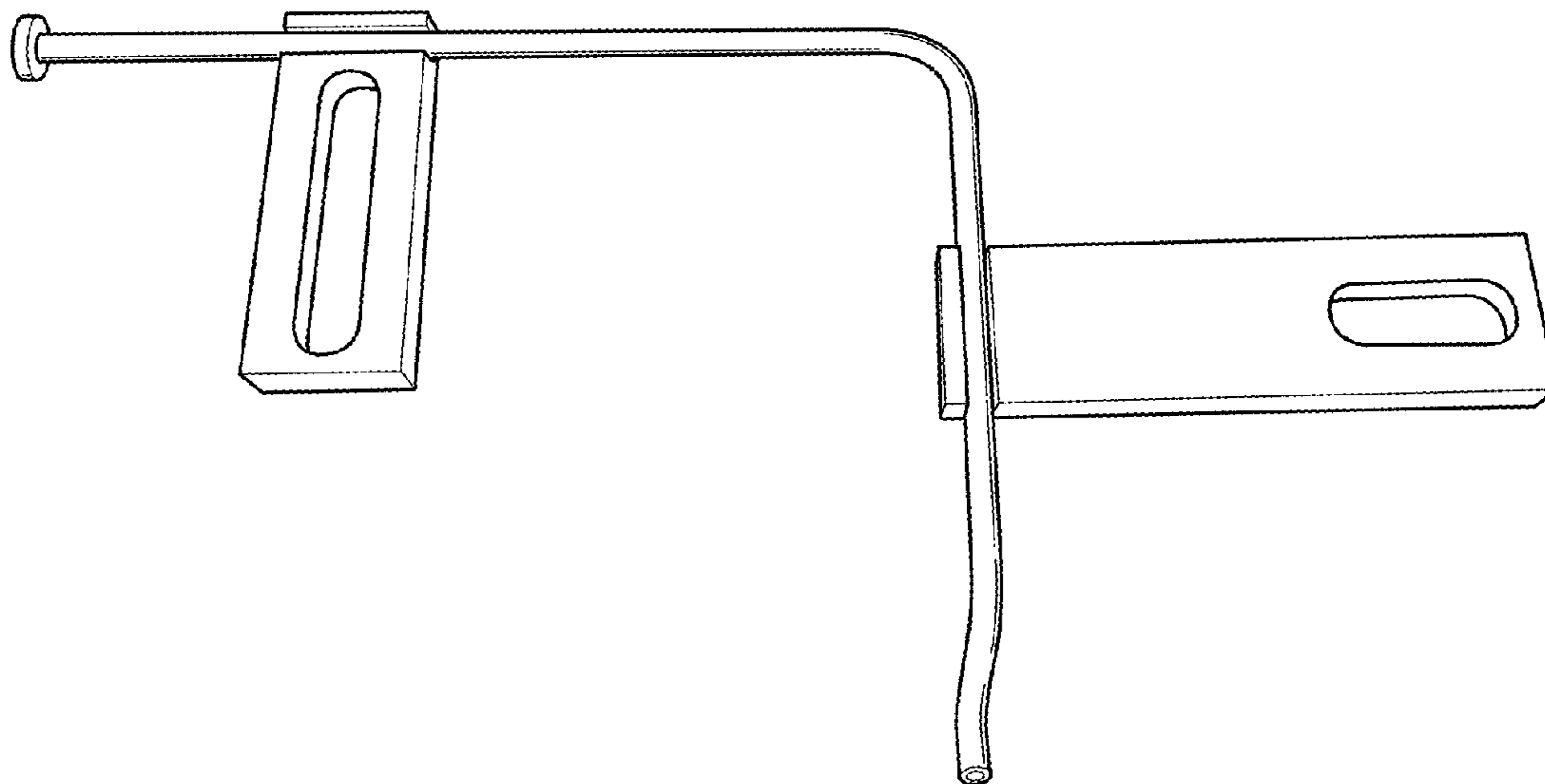
(57) **CLAIM**

The ornamental design for toilet bidet device, as shown and described.

DESCRIPTION

FIG. 1 is a perspective view of the toilet bidet device embodying the new design;
FIG. 2 is a front perspective view thereof;
FIG. 3 is a left side perspective view thereof;
FIG. 4 right side perspective view thereof;
FIG. 5 is a top perspective view thereof;
FIG. 6 is a bottom perspective view thereof; and,
FIG. 7 is another front perspective view thereof, with the toilet bidet device installed in an unclaimed environment, shown in broken lines.

1 Claim, 4 Drawing Sheets



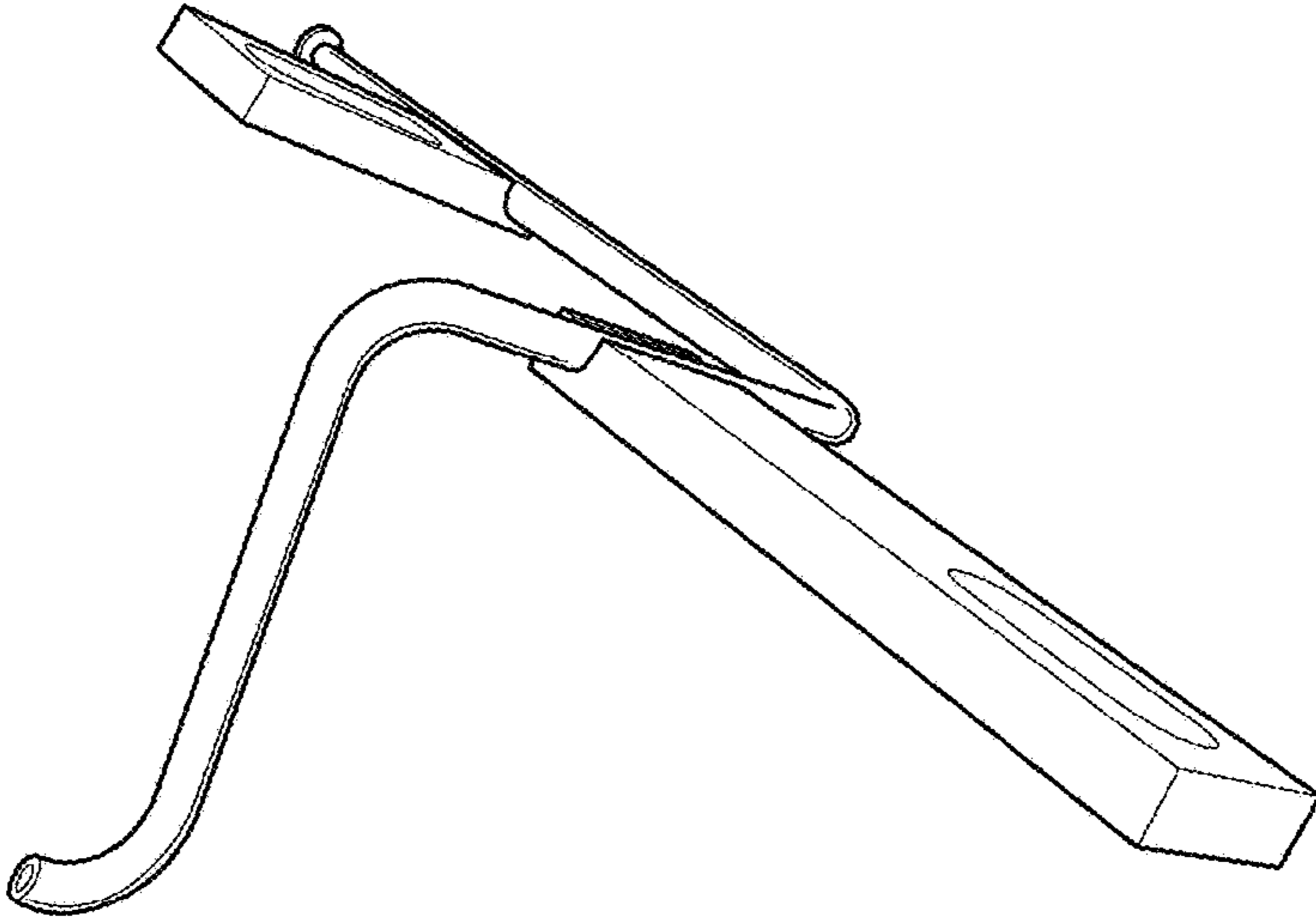


Fig. 1

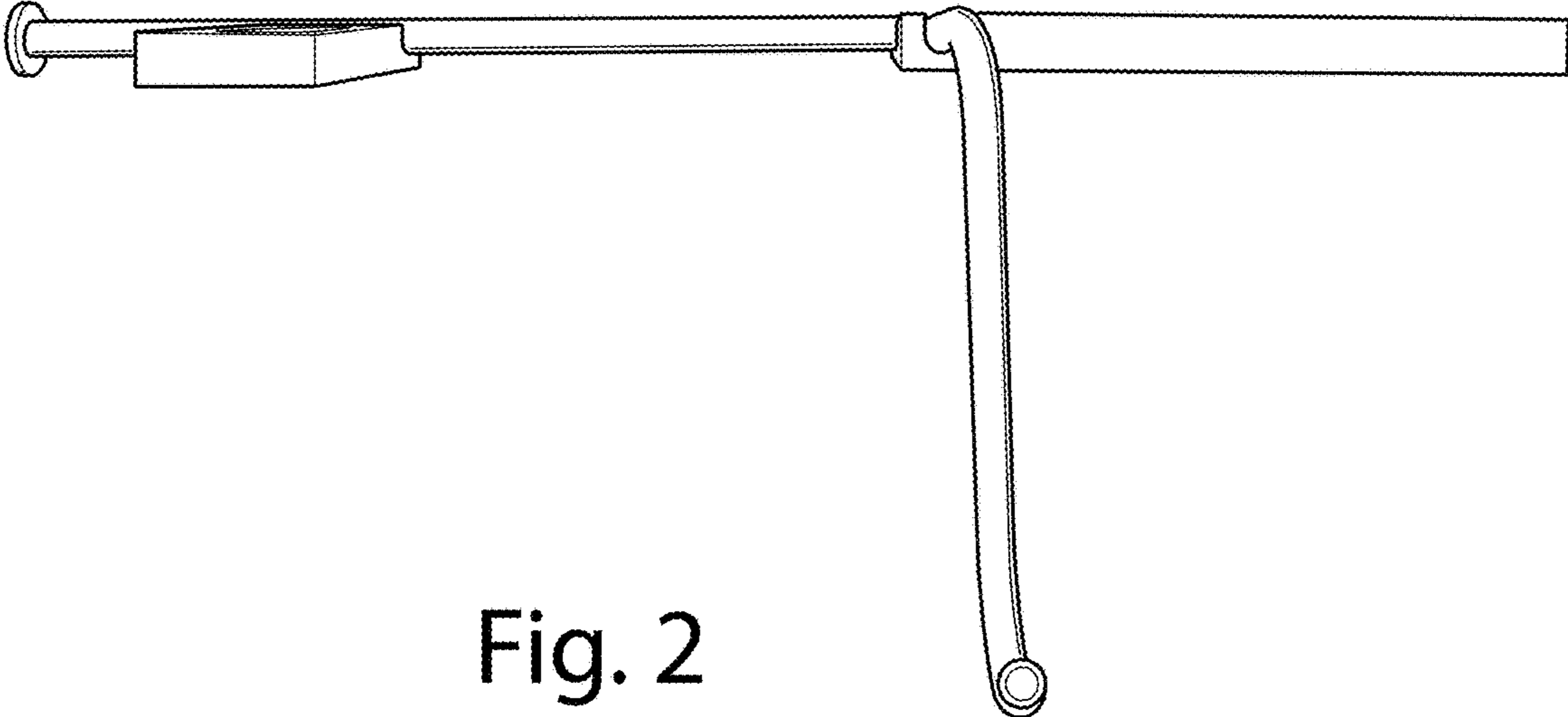


Fig. 2

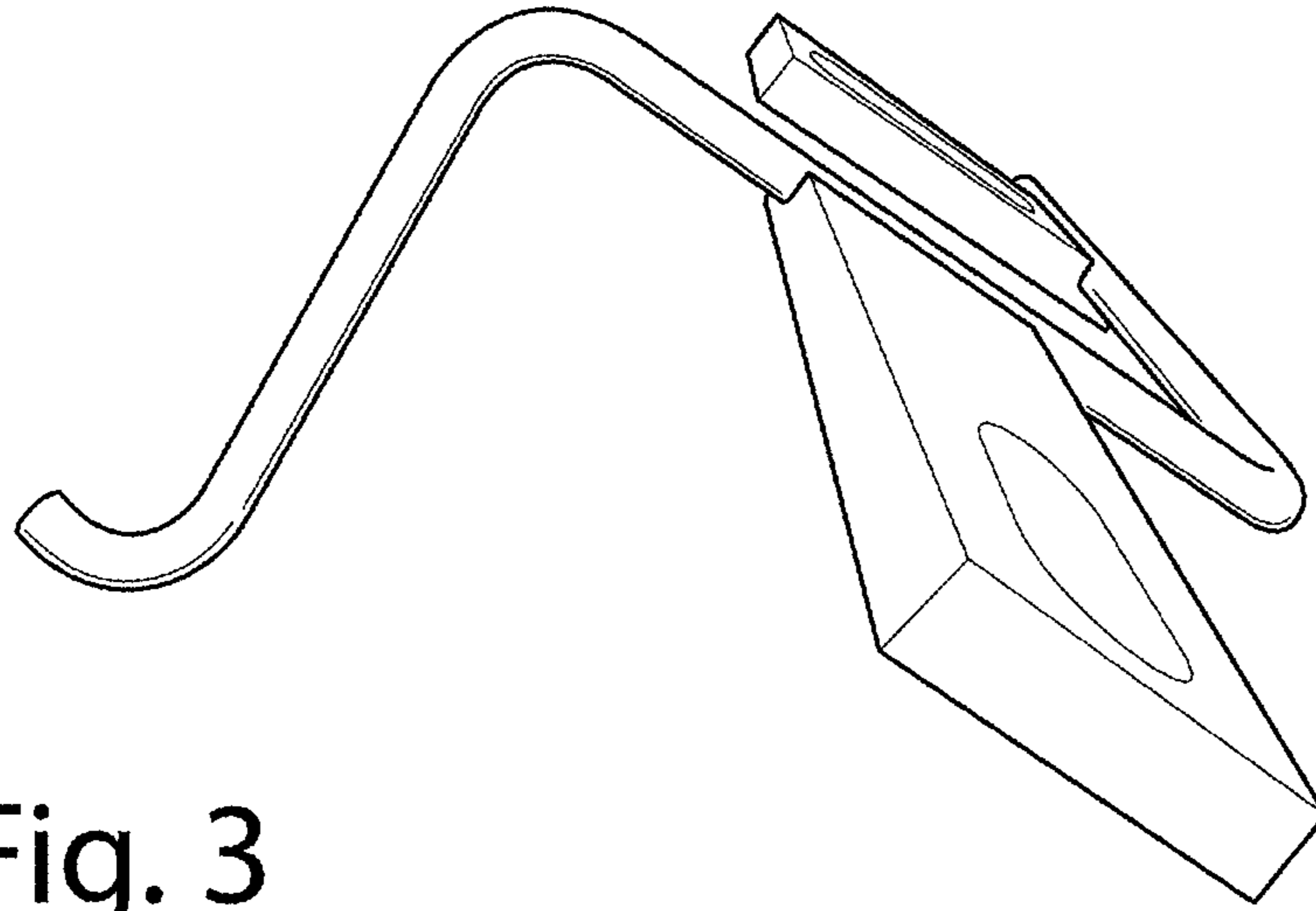


Fig. 3

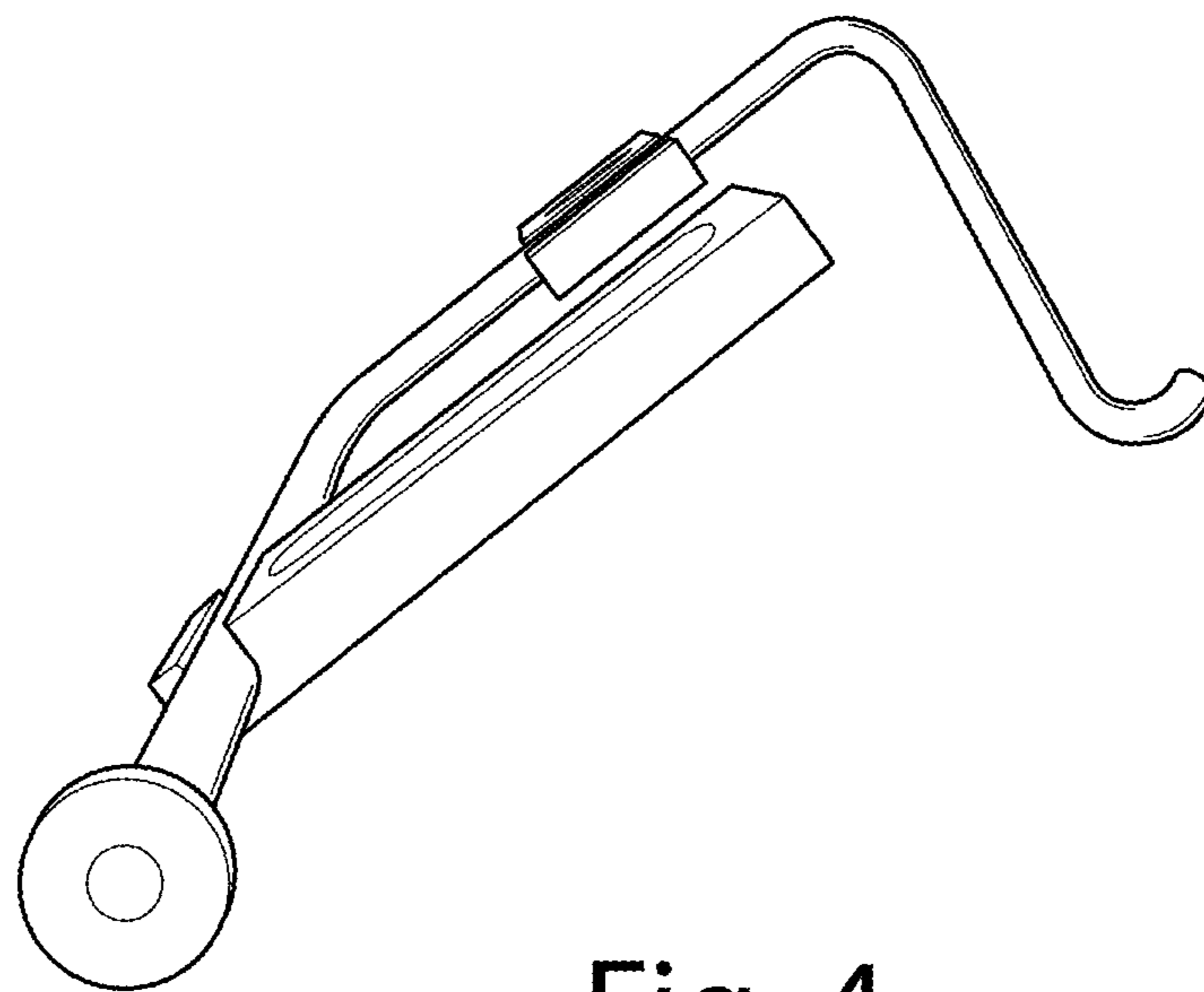


Fig. 4

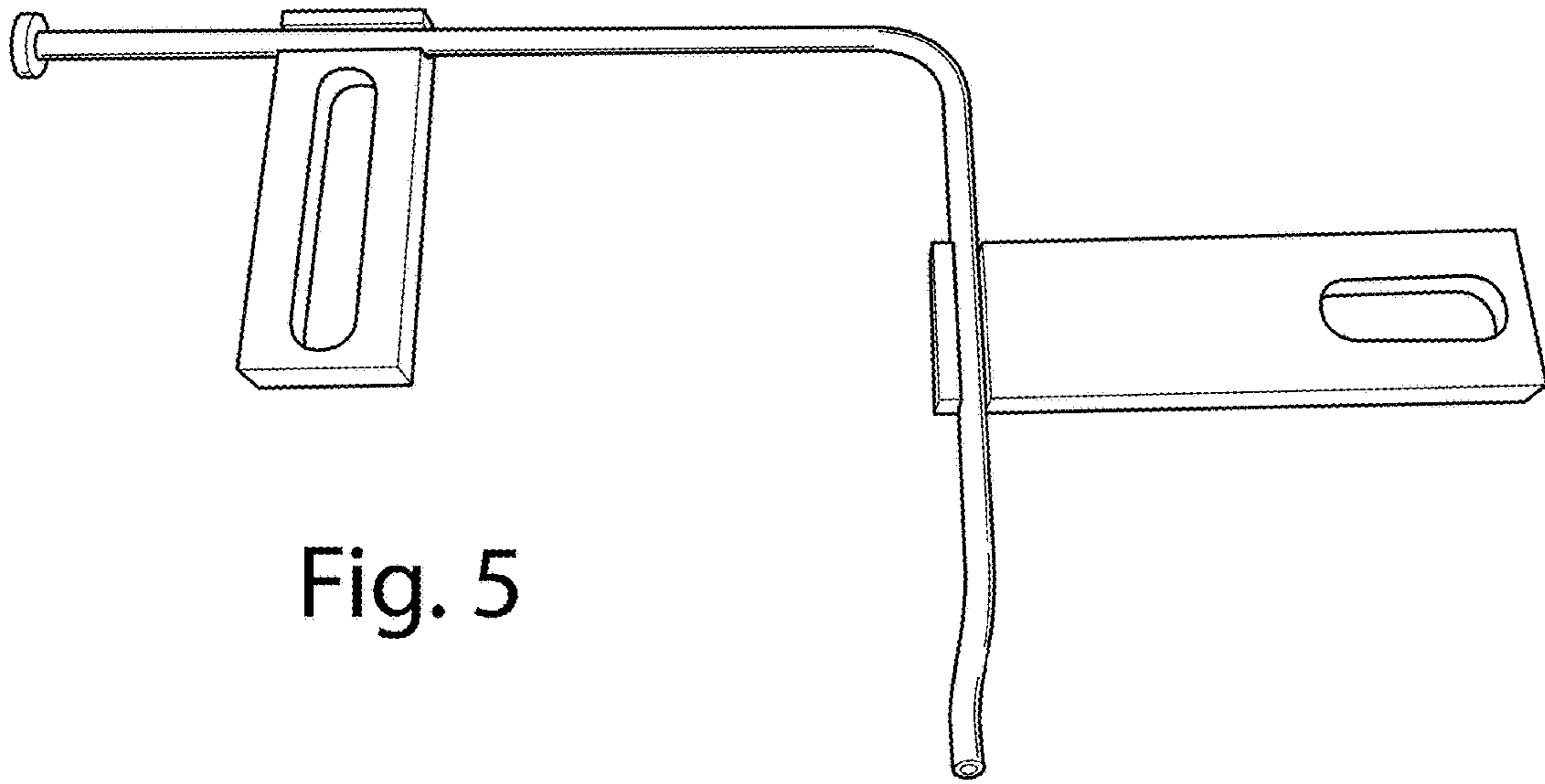


Fig. 5

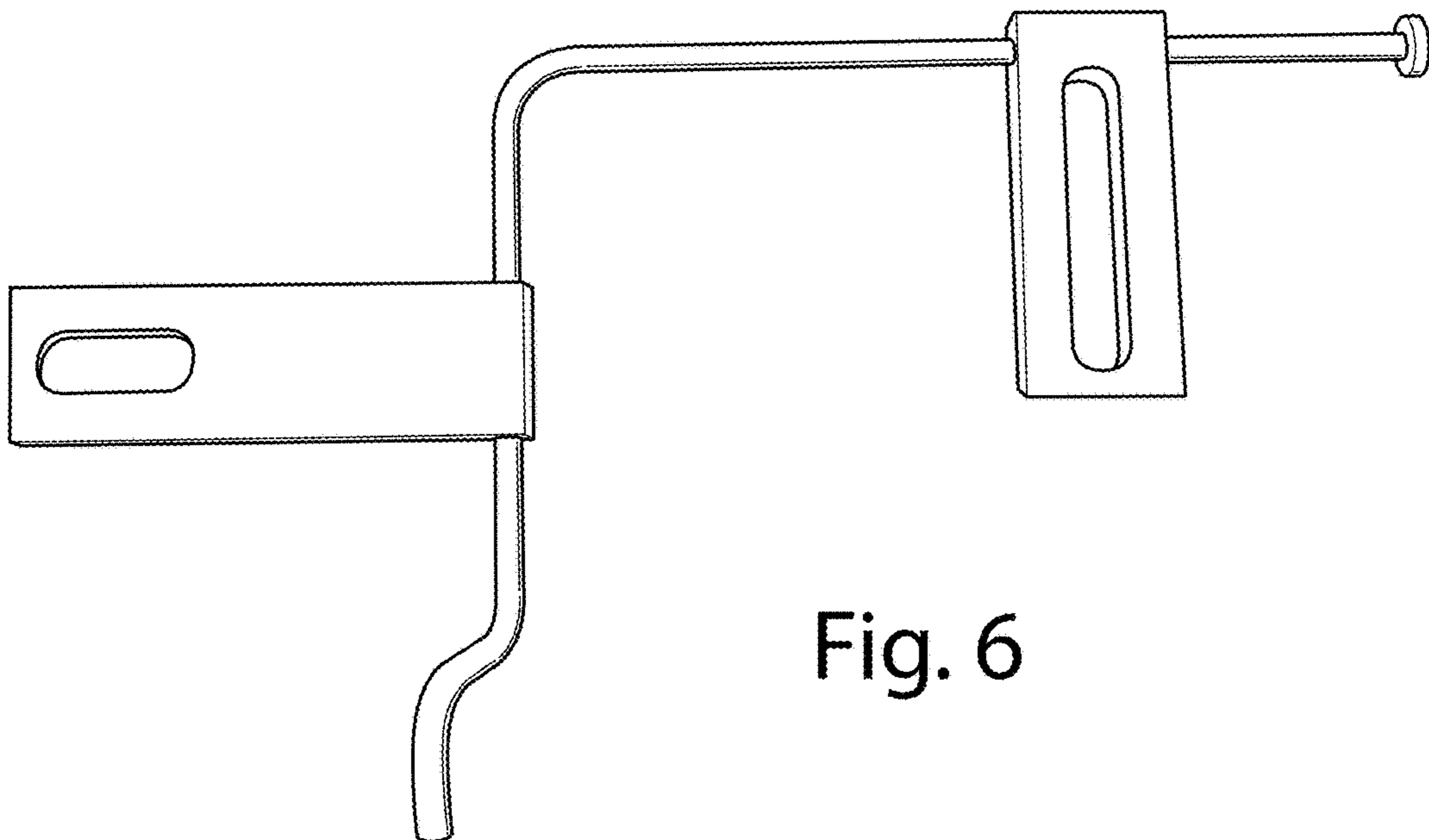


Fig. 6

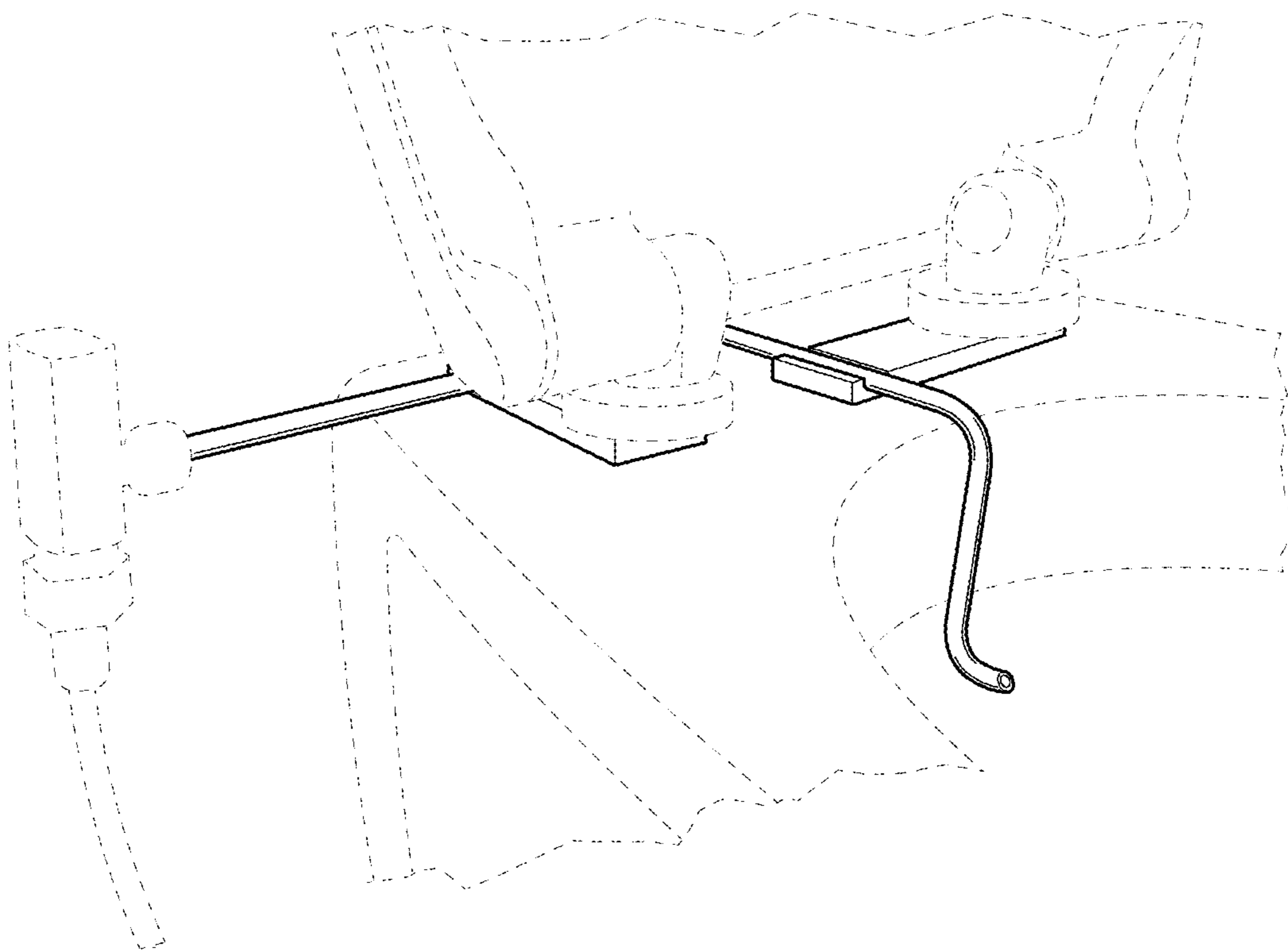


Fig. 7