



US00D805611S

(12) **United States Design Patent** (10) **Patent No.:** **US D805,611 S**
Rexach (45) **Date of Patent:** **** Dec. 19, 2017**

(54) **FAUCET**

(71) Applicant: **Kohler Co.**, Kohler, WI (US)

(72) Inventor: **Rafael A. Rexach**, Sheboygan, WI (US)

(73) Assignee: **KOHLER CO.**, Kohler, WI (US)

(**) Term: **15 Years**

(21) Appl. No.: **29/603,050**

(22) Filed: **May 5, 2017**

Related U.S. Application Data

(62) Division of application No. 29/536,259, filed on Aug. 14, 2015, now Pat. No. Des. 786,409.

(51) **LOC (10) Cl.** **23-01**

(52) **U.S. Cl.**
USPC **D23/257**; D23/226

(58) **Field of Classification Search**
USPC D23/238, 241-243, 249, 255, 257, 213, D23/226

CPC E03C 1/04; E03C 1/0401; E03C 1/0402;
E03C 1/0404; E03C 1/0405; E03C
2001/0414; E03C 2001/0415; E03C
2001/0417; Y10T 137/9464

See application file for complete search history.

(56) **References Cited**

U.S. PATENT DOCUMENTS

D522,614 S * 6/2006 Ko D23/213
D533,256 S 12/2006 Schaffeld

D534,620 S 1/2007 Zhou
D534,990 S 1/2007 Zhou
D550,326 S * 9/2007 Huang D23/213
D557,380 S * 12/2007 Shieh D23/238
D652,489 S 1/2012 Bosio
D657,024 S * 4/2012 Bosio D23/255
D698,424 S 1/2014 Georgeson
D758,546 S 6/2016 Rexach
D767,726 S 9/2016 Mazz

* cited by examiner

Primary Examiner — Robert A Delehanty

(74) *Attorney, Agent, or Firm* — Foley & Lardner LLP

(57) **CLAIM**

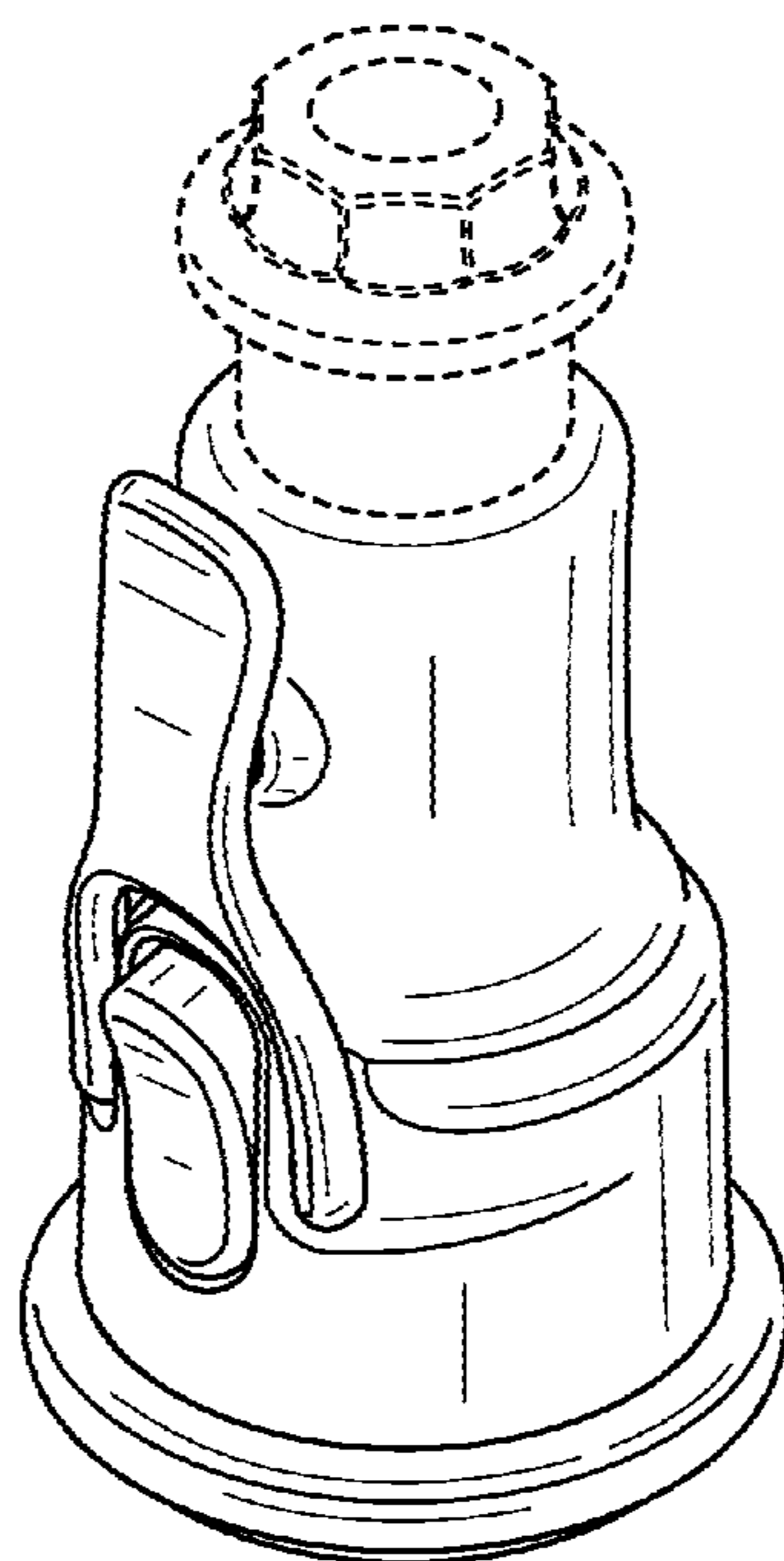
I claim the ornamental design for a faucet, as shown and described.

DESCRIPTION

FIG. 1 is a top, front, right perspective view of an embodiment of the claimed design;
FIG. 2 is a right elevation view thereof;
FIG. 3 is a left elevation view thereof;
FIG. 4 is a front elevation thereof;
FIG. 5 is a rear elevation thereof;
FIG. 6 is a top plan thereof; and,
FIG. 7 is a bottom plan thereof.

The ornamental design which is claimed is shown in solid lines in the drawings. The broken lines in the drawings form no part of the claimed design. Broken lines formed by equal length dashes show unclaimed subject matter.

1 Claim, 4 Drawing Sheets



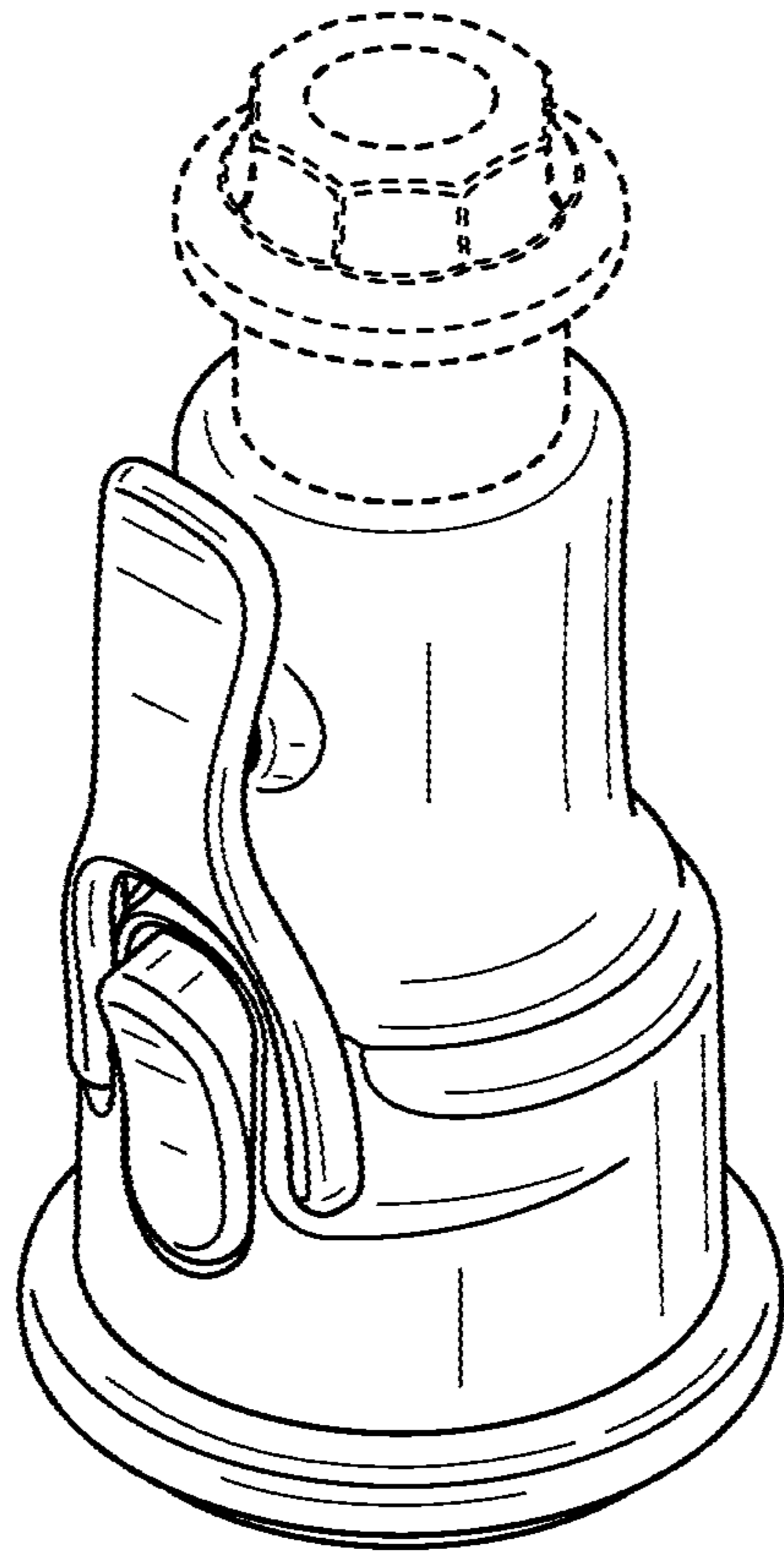


FIG. 1

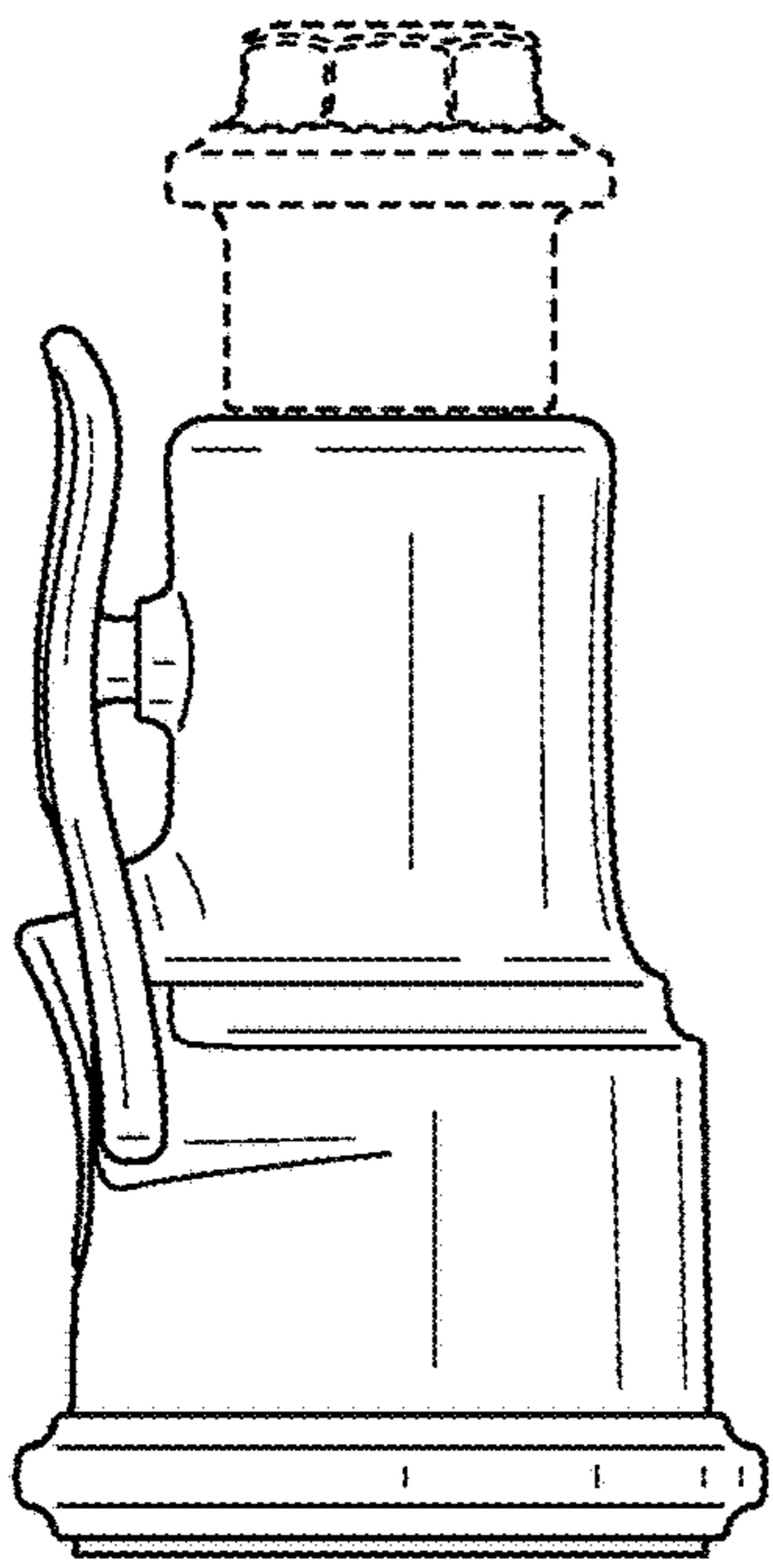


FIG. 2

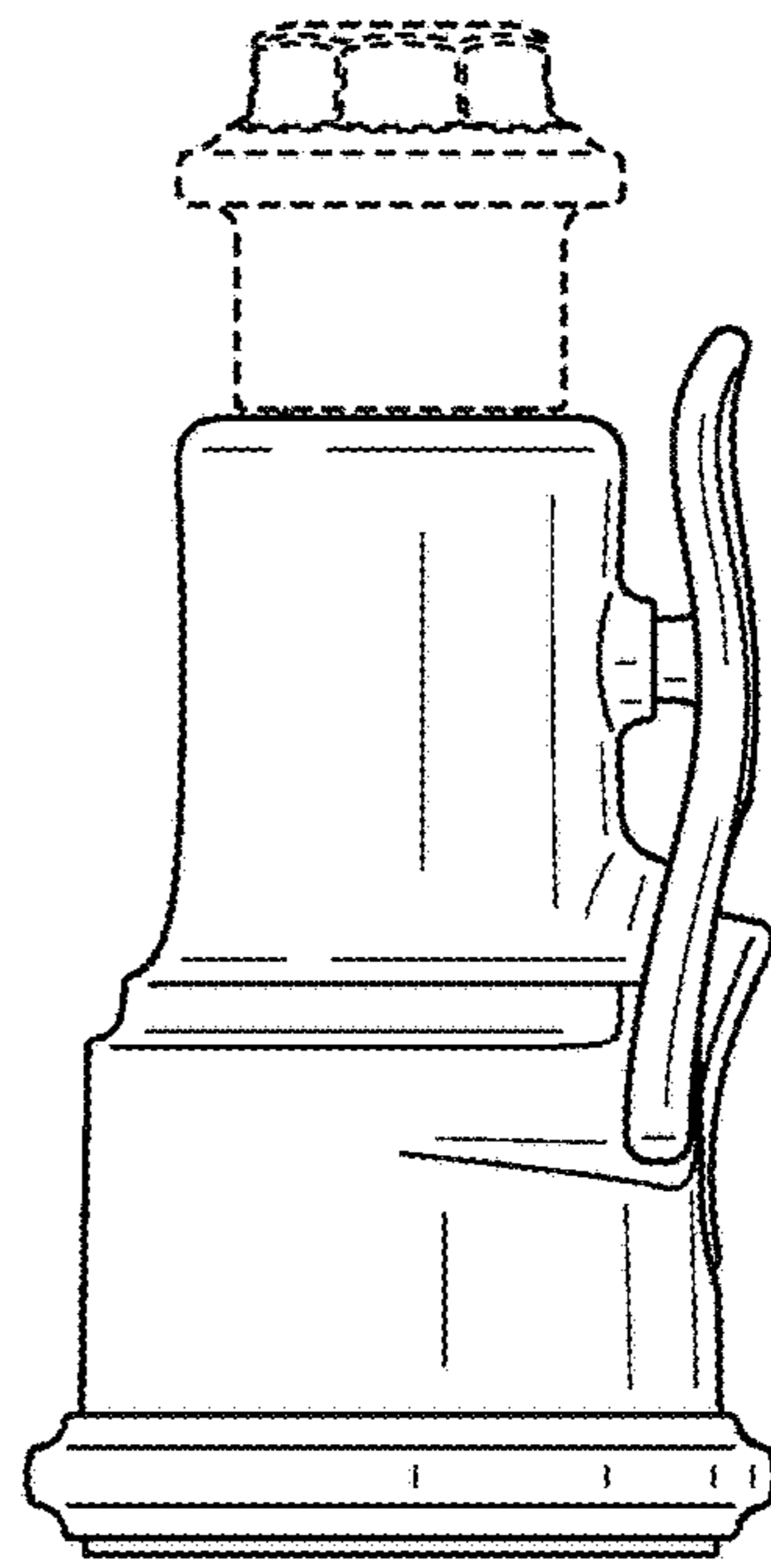


FIG. 3

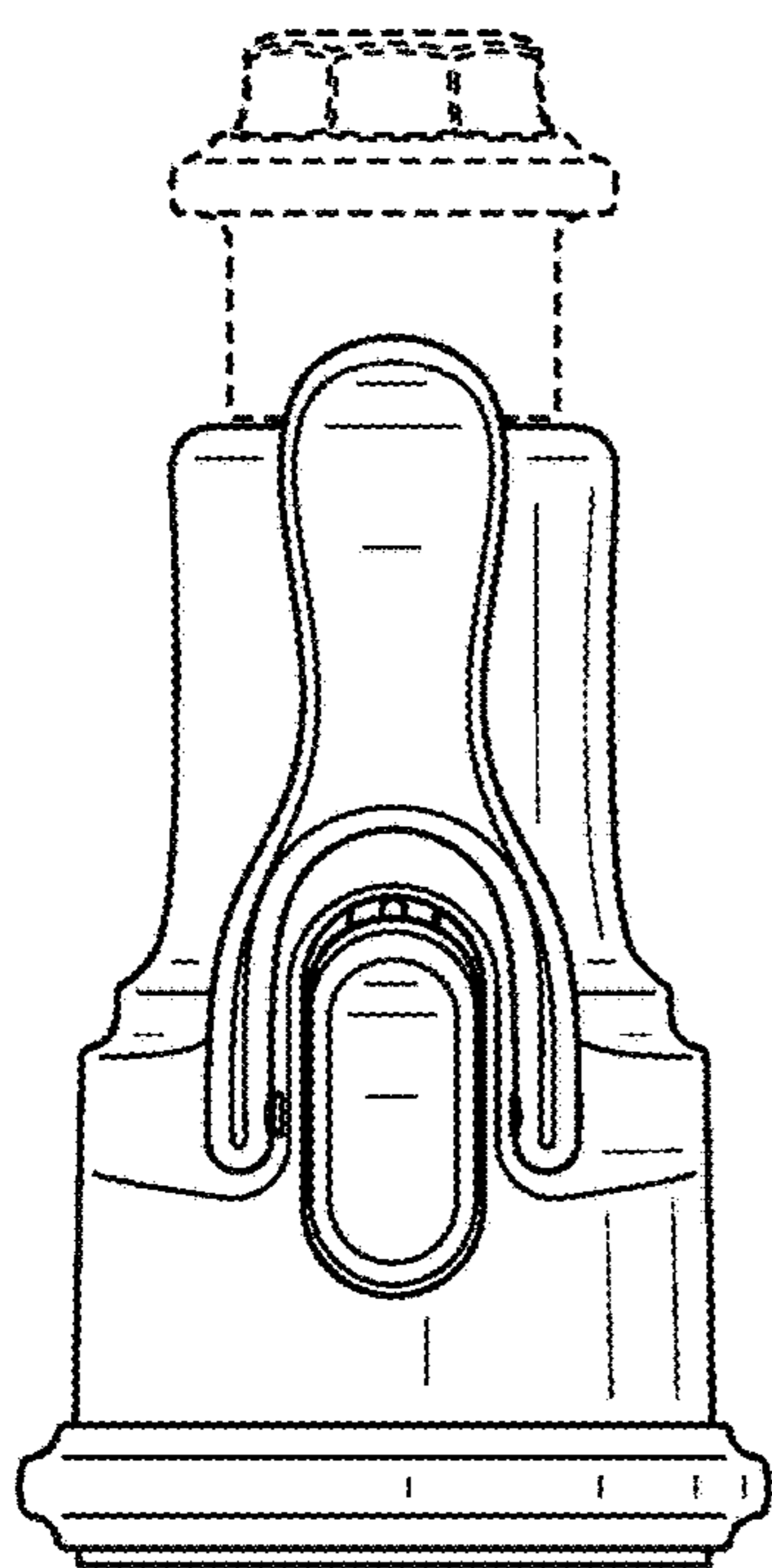


FIG. 4

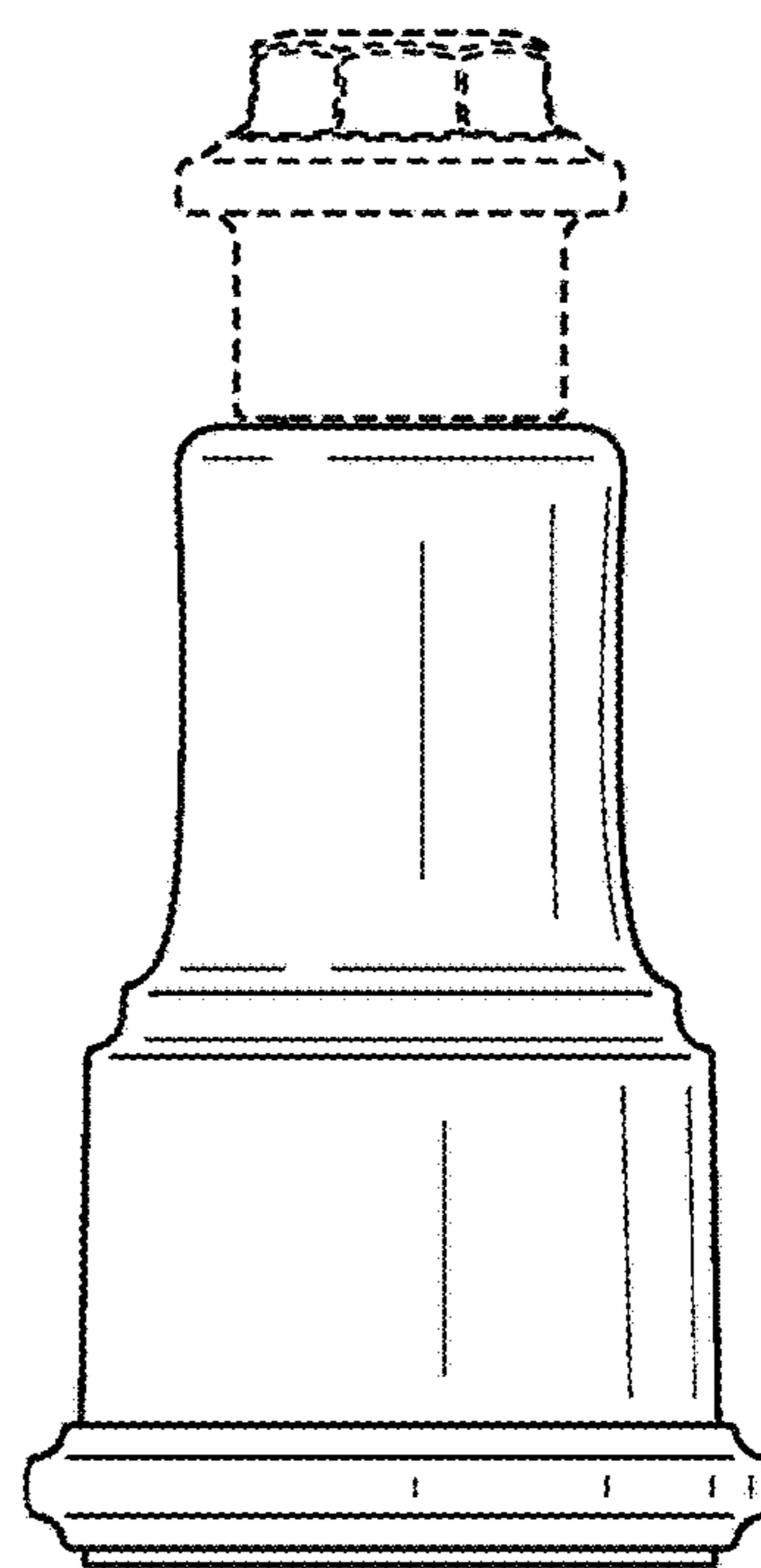


FIG. 5

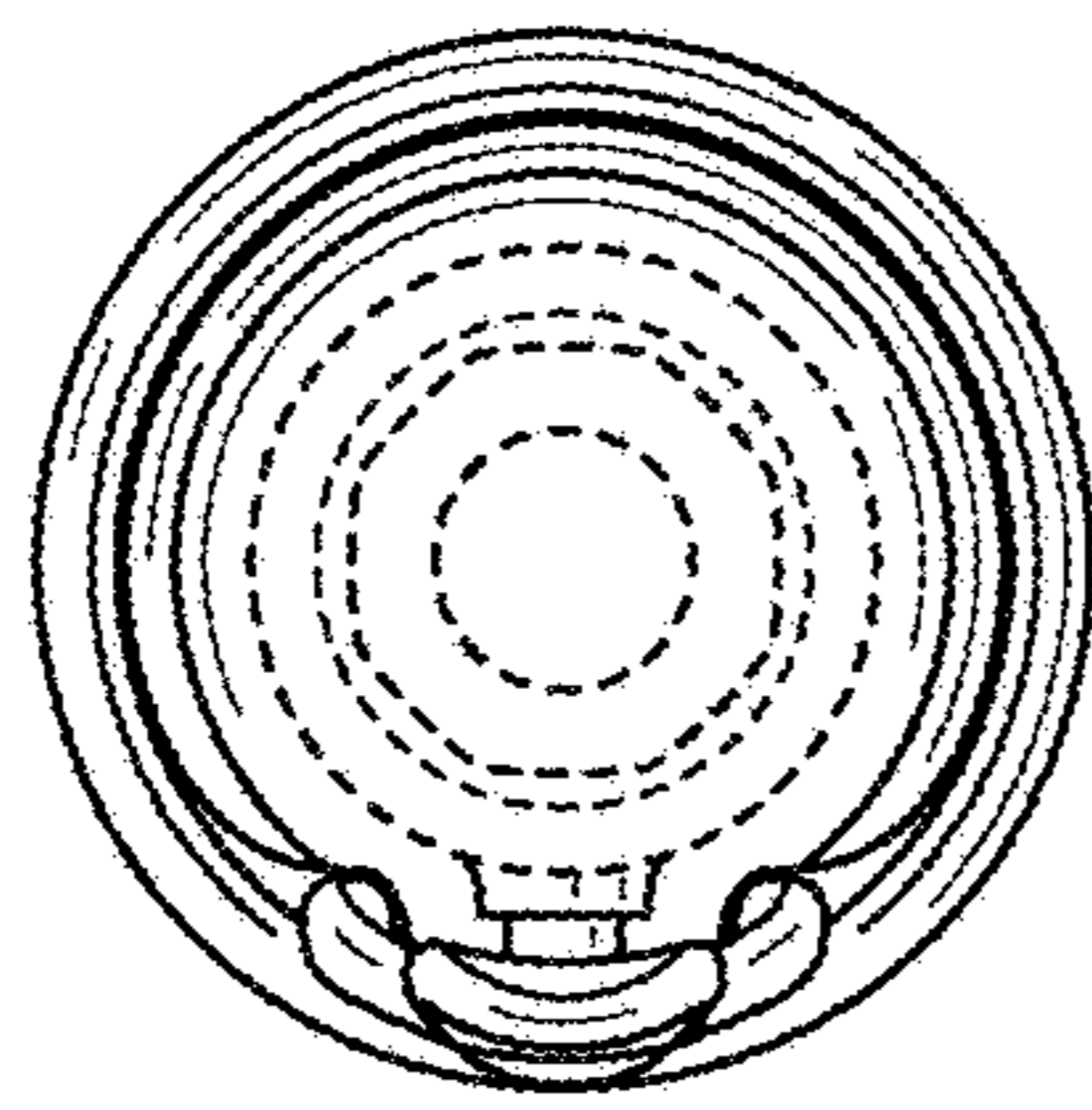


FIG. 6

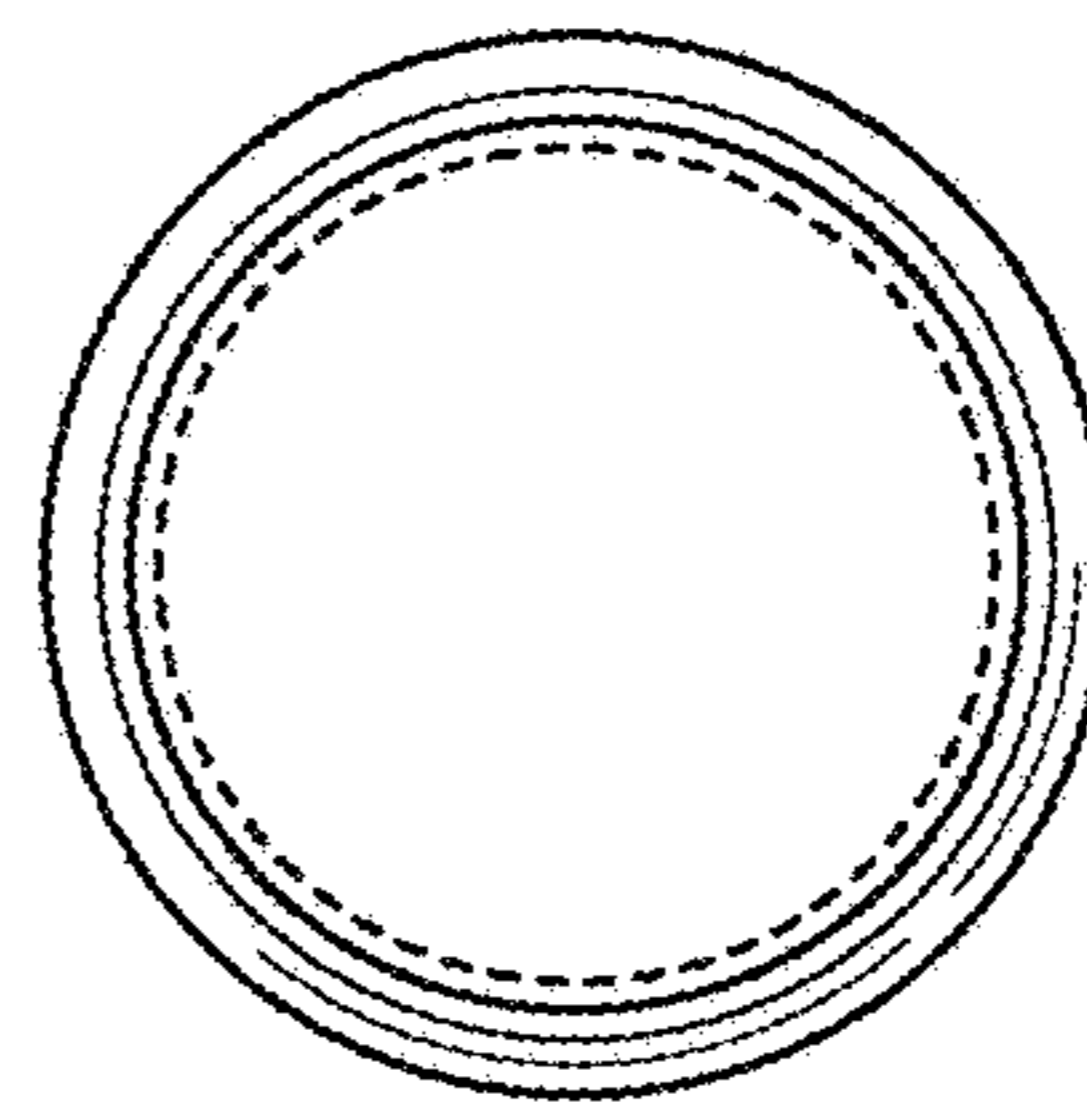


FIG. 7