



US00D805608S

(12) **United States Design Patent** (10) **Patent No.:** **US D805,608 S**
Streng (45) **Date of Patent:** **** Dec. 19, 2017**

(54) **FAUCET AND SOAP DISPENSER**
(71) Applicant: **Zurn Industries, LLC**, Milwaukee, WI (US)
(72) Inventor: **Christopher Richard Streng**, Carpentersville, IL (US)
(73) Assignee: **Zurn Industries, LLC**, Milwaukee, WI (US)
(**) Term: **15 Years**
(21) Appl. No.: **29/579,588**
(22) Filed: **Sep. 30, 2016**
(51) **LOC (10) Cl.** **23-01**
(52) **U.S. Cl.**
USPC **D23/240; D6/542**
(58) **Field of Classification Search**
USPC **D23/238-240, 242, 249, 255, 257; D6/542**

(Continued)

(56) **References Cited**
U.S. PATENT DOCUMENTS
5,215,216 A * 6/1993 Van Marcke E03C 1/046 222/1
D517,167 S * 3/2006 Kulig D23/238
(Continued)

Primary Examiner — Robert A Delehanty
(74) *Attorney, Agent, or Firm* — Quarles & Brady LLP

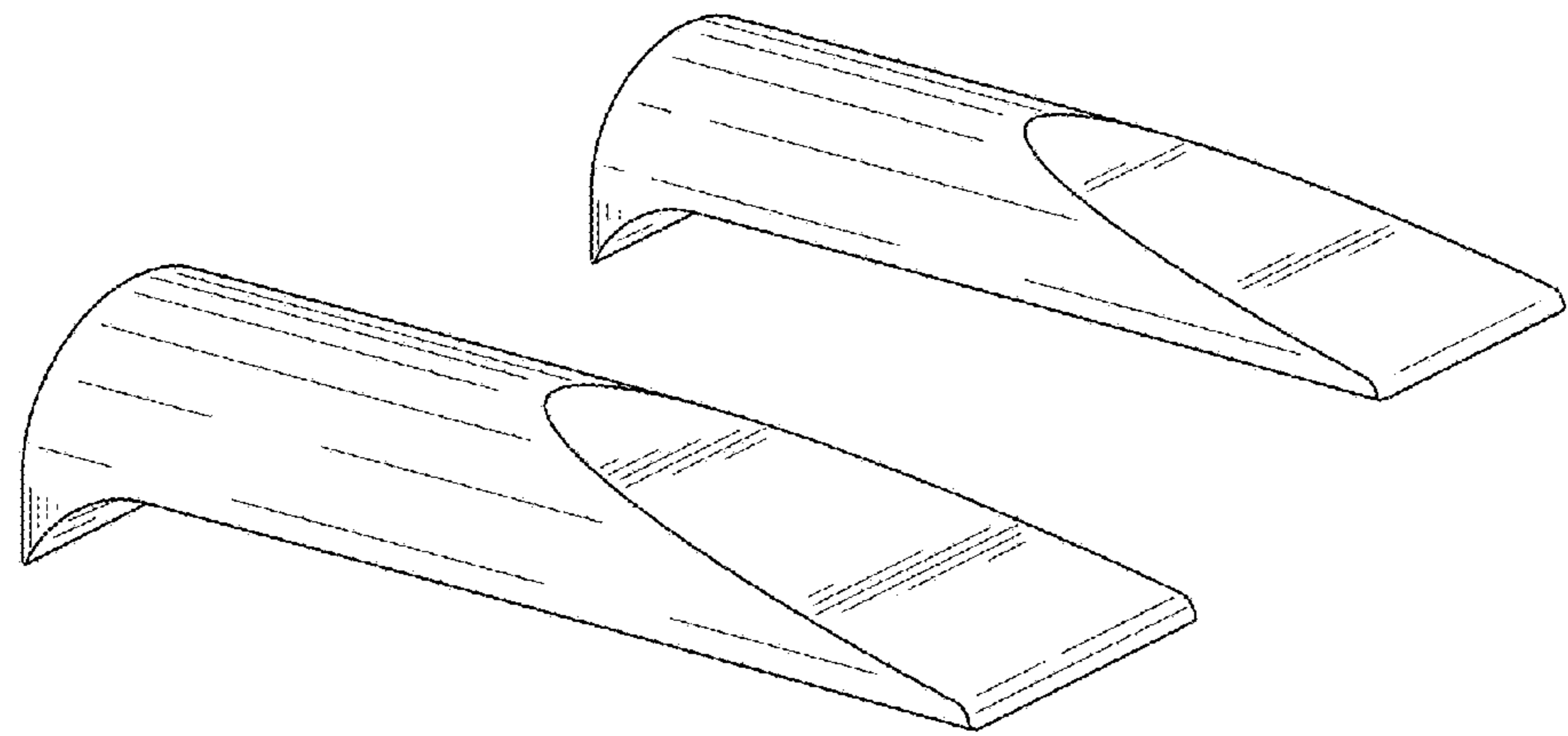
(57) **CLAIM**
The ornamental design for a faucet and soap dispenser, as shown and described.

DESCRIPTION

FIG. 1 is a top, front, and left side perspective view of a faucet in accordance with a first embodiment of the design; FIG. 2 is a left side elevational view of the faucet of FIG. 1;

FIG. 3 is a right side elevational view of the faucet of FIG. 1;
FIG. 4 is a front elevational view of the faucet of FIG. 1;
FIG. 5 is a rear elevational view of the faucet of FIG. 1;
FIG. 6 is a top plan view of the faucet of FIG. 1;
FIG. 7 is a bottom plan view of the faucet of FIG. 1;
FIG. 8 is a top, front, and left side perspective view of a soap dispenser in accordance with a second embodiment of the design;
FIG. 9 is a left side elevational view of the soap dispenser of FIG. 8;
FIG. 10 is a right side elevational view of the soap dispenser of FIG. 8;
FIG. 11 is a front elevational view of the soap dispenser of FIG. 8;
FIG. 12 is a rear elevational view of the soap dispenser of FIG. 8;
FIG. 13 is a top plan view of the soap dispenser of FIG. 8;
FIG. 14 is a bottom plan view of the soap dispenser of FIG. 8;
FIG. 15 is a top, front, and left side perspective view of a faucet and soap dispenser set in accordance with a third embodiment of the design including the faucet of the first embodiment and the soap dispenser of the second embodiment;
FIG. 16 is a left side elevational view of the faucet and soap dispenser set of FIG. 15;
FIG. 17 is a right side elevational view of the faucet and soap dispenser set of FIG. 15;
FIG. 18 is a front elevational view of the faucet and soap dispenser set of FIG. 15;
FIG. 19 is a rear elevational view of the faucet and soap dispenser set of FIG. 15;
FIG. 20 is a top plan view of the faucet and soap dispenser set of FIG. 15; and,
FIG. 21 is a bottom plan view of the faucet and soap dispenser set of FIG. 15.
The dash-dash broken lines are for the purpose of illustrating unclaimed subject matter only and form no part of the claimed design. The dash-dot lines are for the purpose of indicating a boundary of the design on a surface and do not indicate an edge.

(Continued)



In a preferred embodiment, the nature of this product is as a faucet and soap dispenser such as, for example, for use in connection with a bathroom or kitchen sink.

1 Claim, 11 Drawing Sheets

(58) **Field of Classification Search**

CPC E03C 1/04; E03C 1/0401; E03C 1/0402;
E03C 1/0404; Y10T 137/9464

See application file for complete search history.

(56)

References Cited

U.S. PATENT DOCUMENTS

D663,016 S *	7/2012	Figurski	D23/271
D666,694 S	9/2012	Kulig et al.	
D757,225 S	5/2016	Schoenherr et al.	
D757,230 S	5/2016	Schoenherr et al.	
D767,733 S *	9/2016	Hong	D23/255
D785,757 S *	5/2017	Murray	D23/238

* cited by examiner

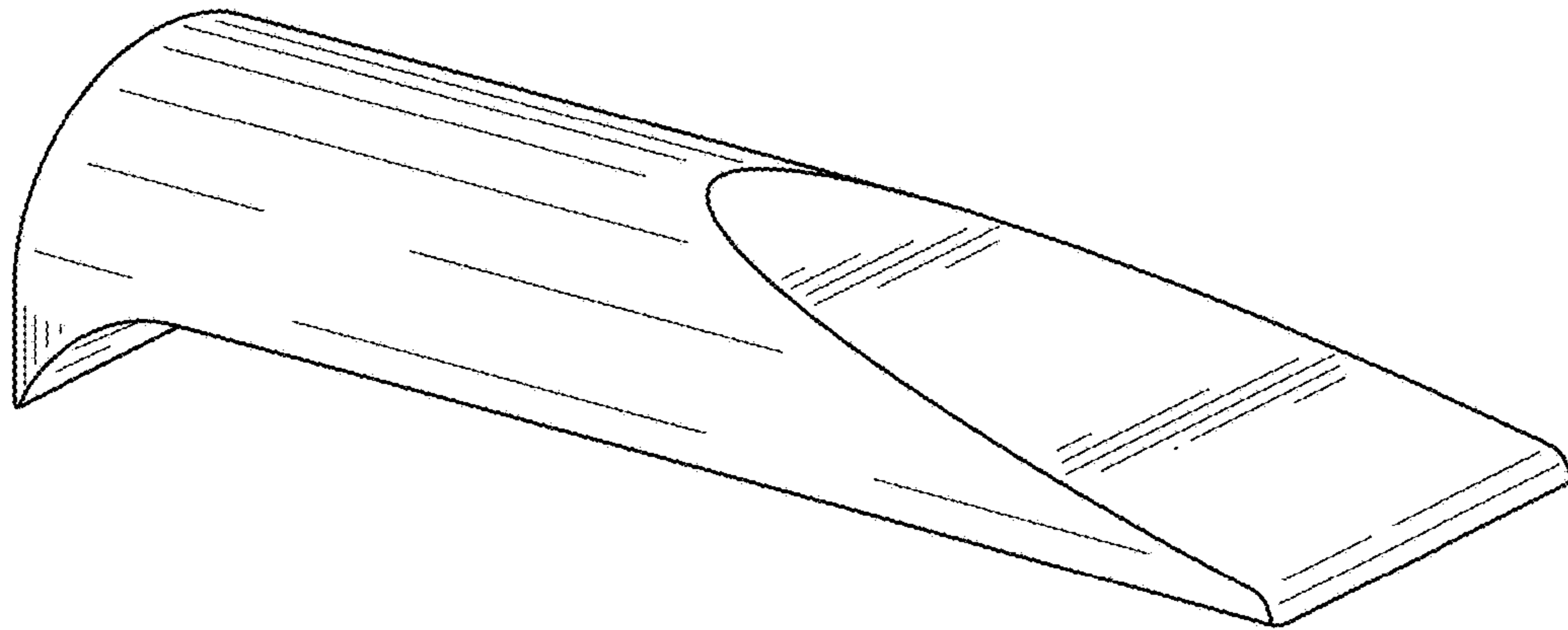


FIG. 1

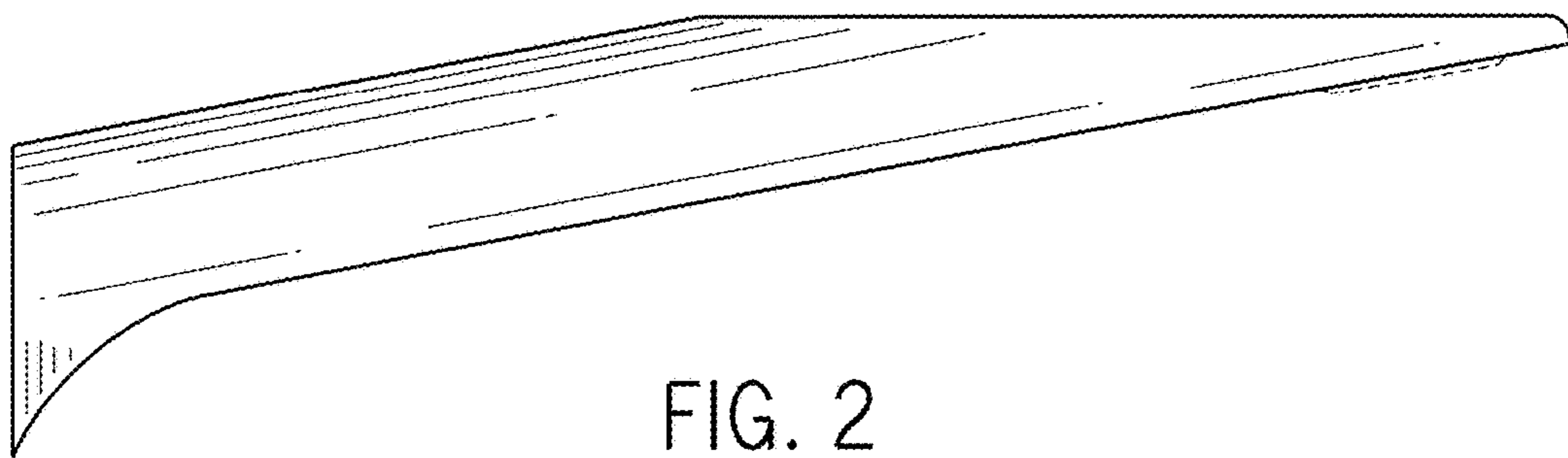


FIG. 2

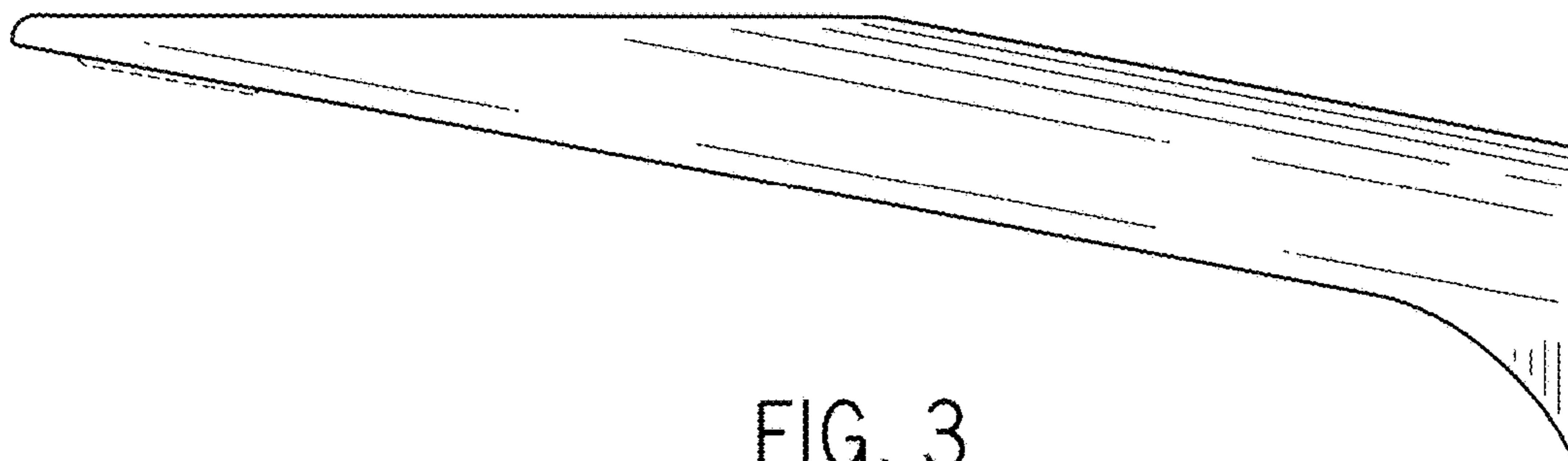


FIG. 3

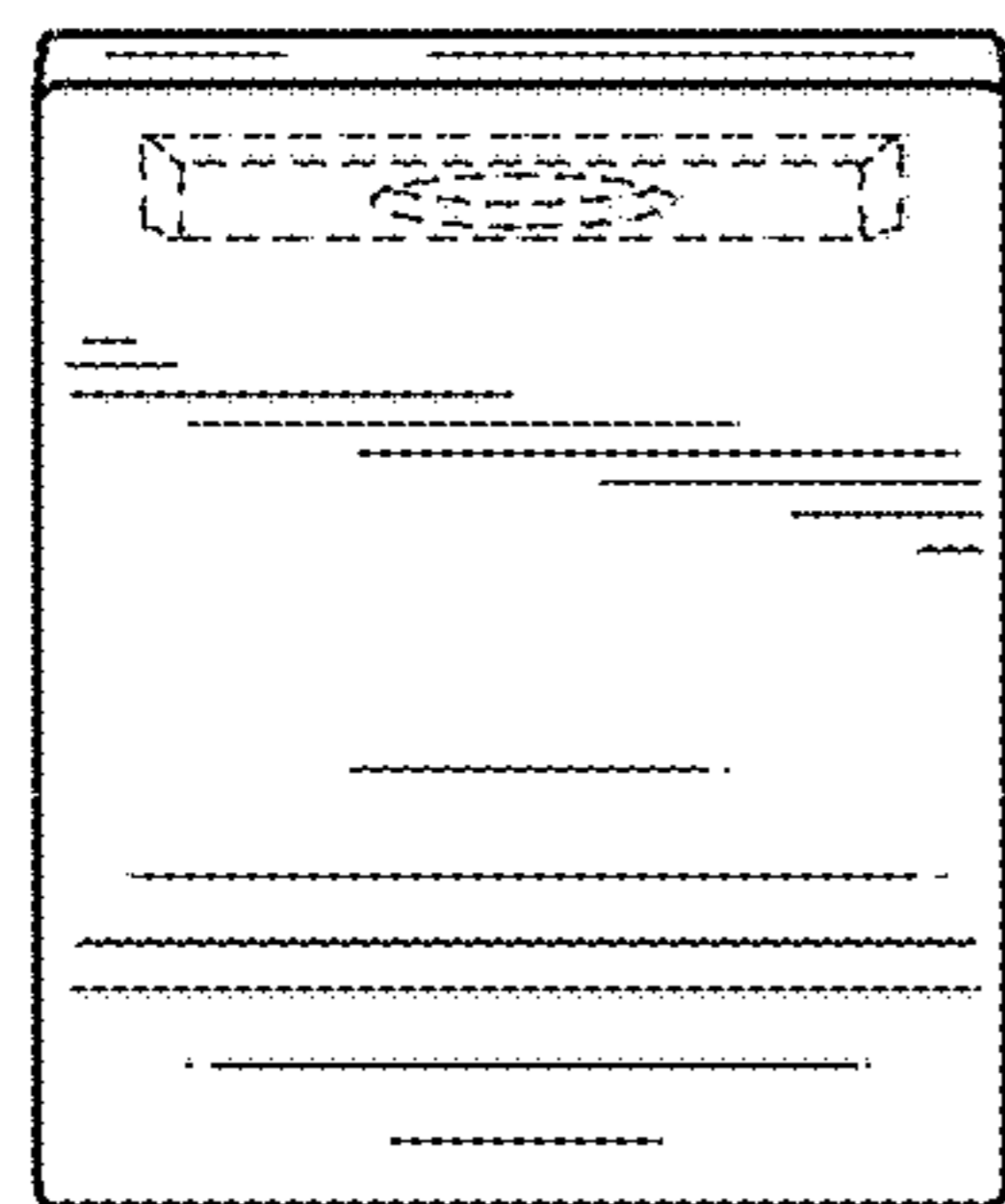


FIG. 4

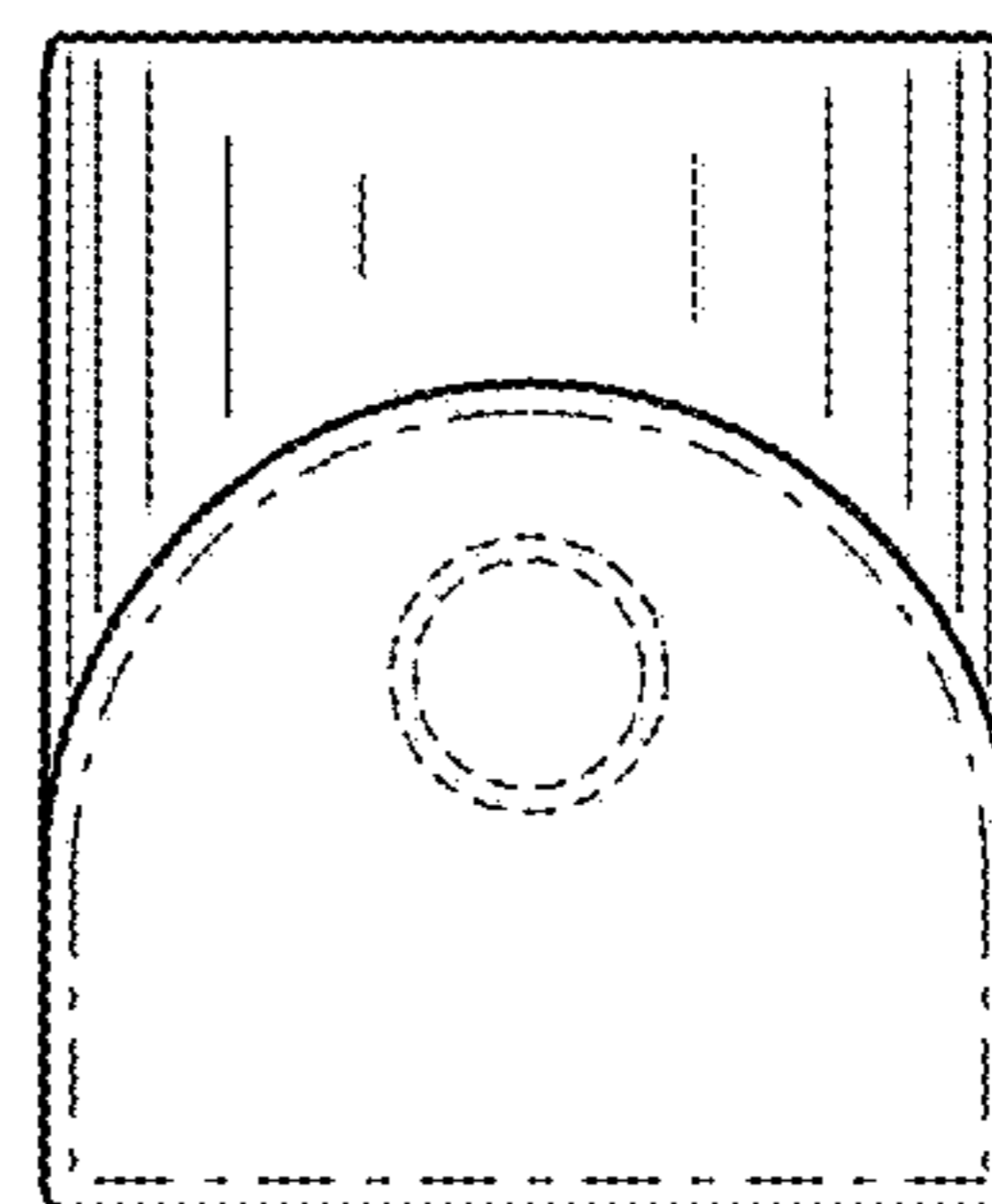


FIG. 5

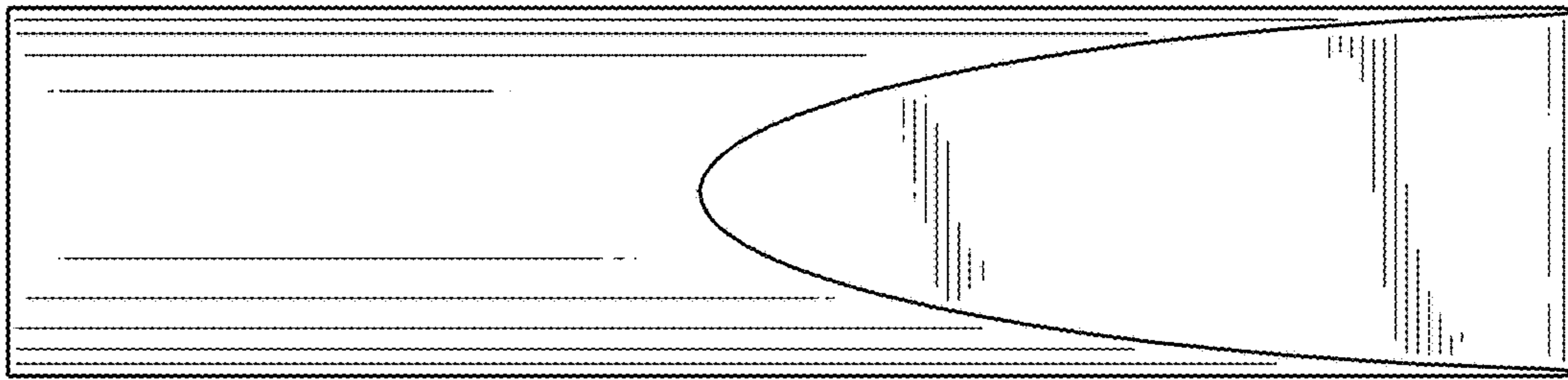


FIG. 6

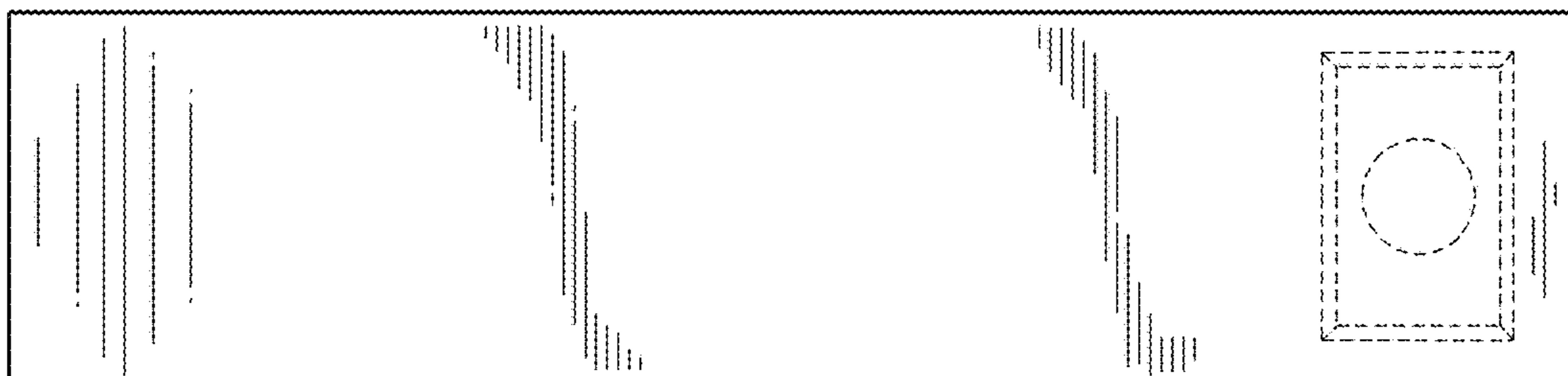


FIG. 7

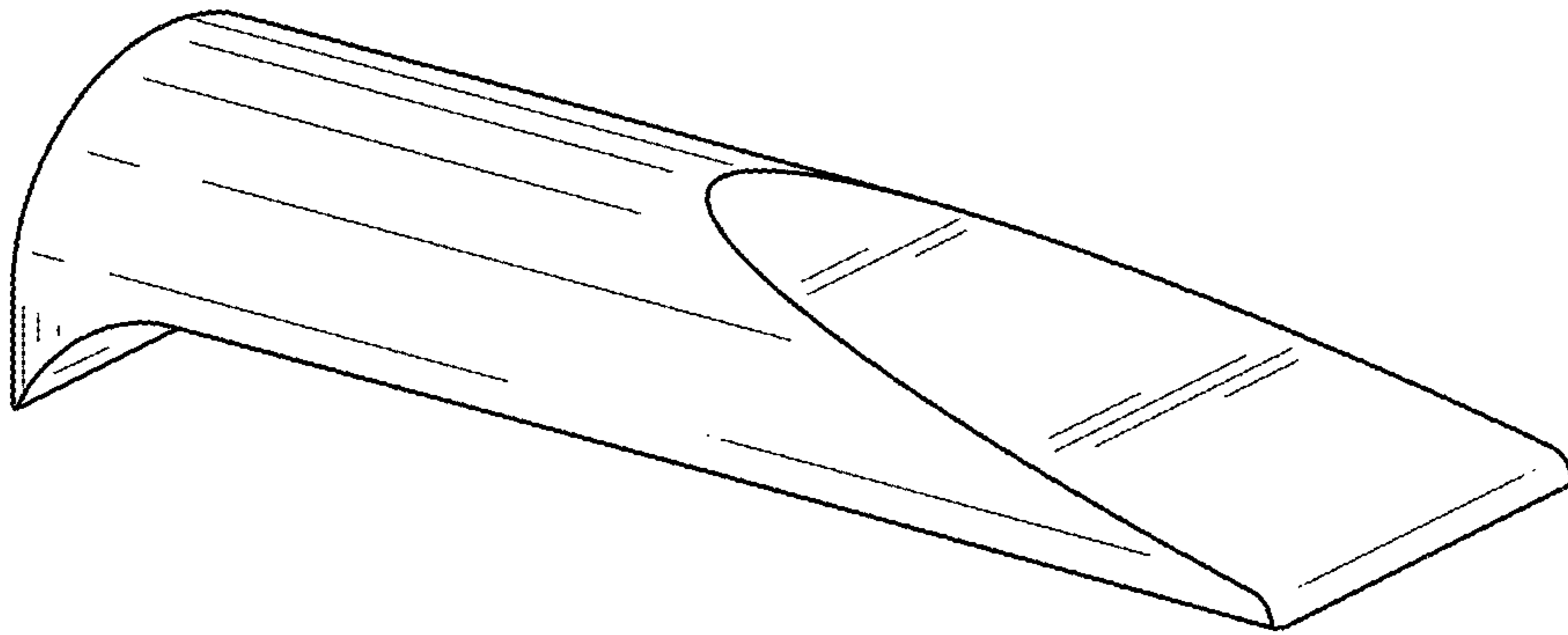


FIG. 8

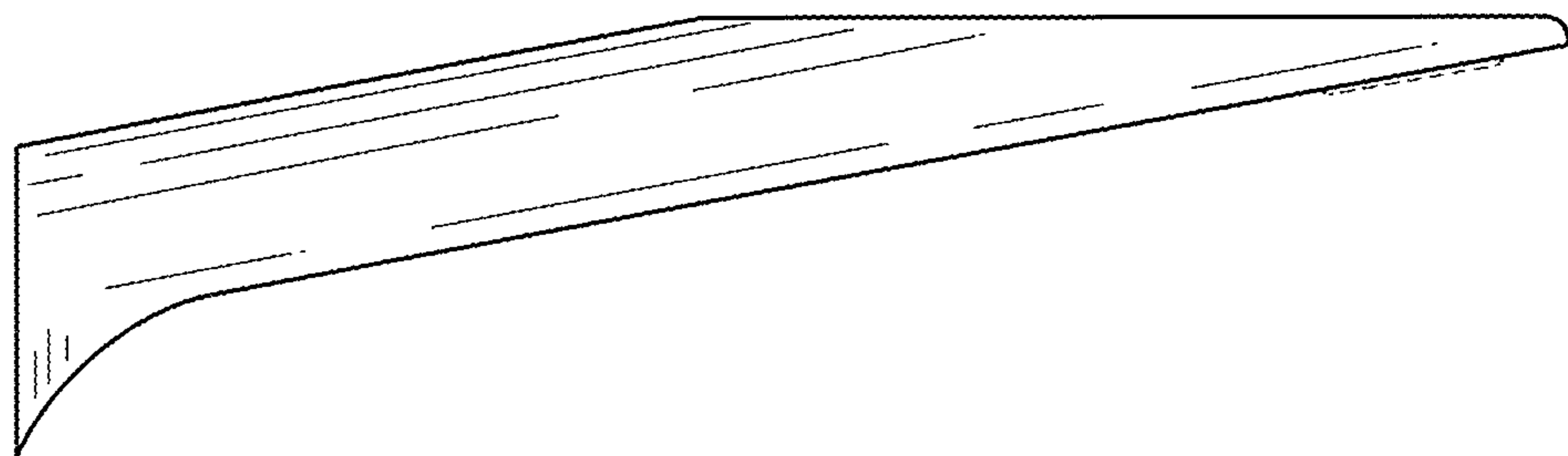


FIG. 9

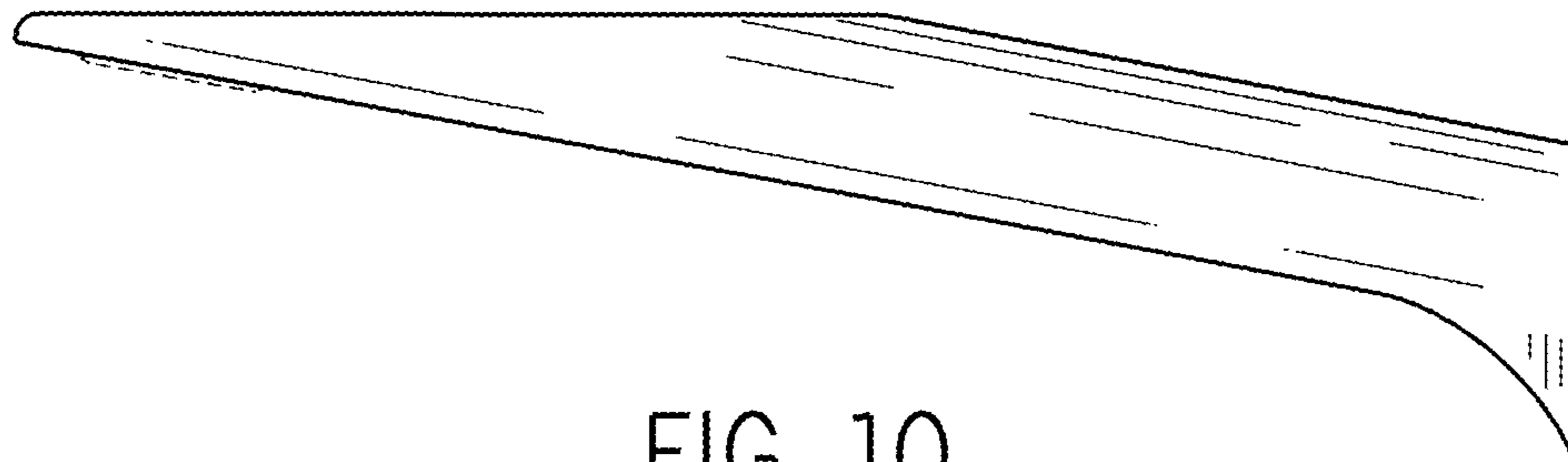


FIG. 10

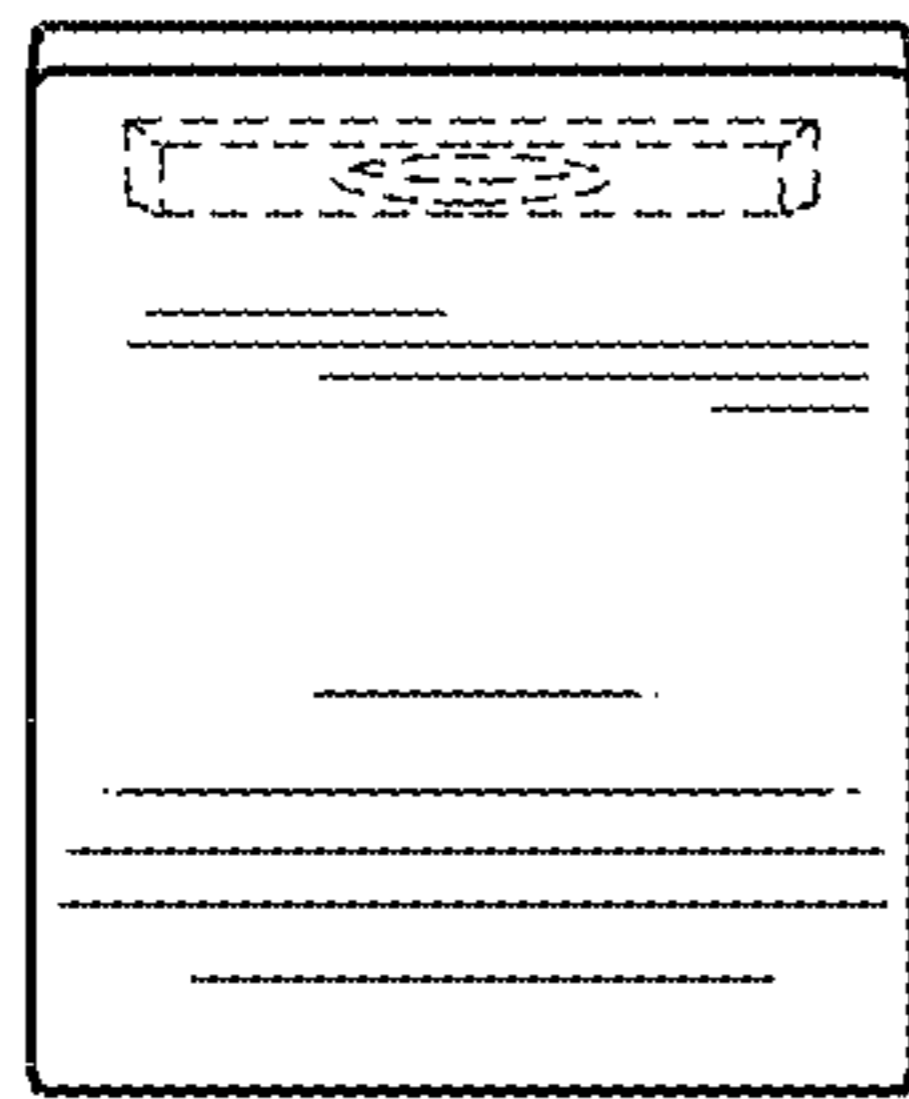


FIG. 11

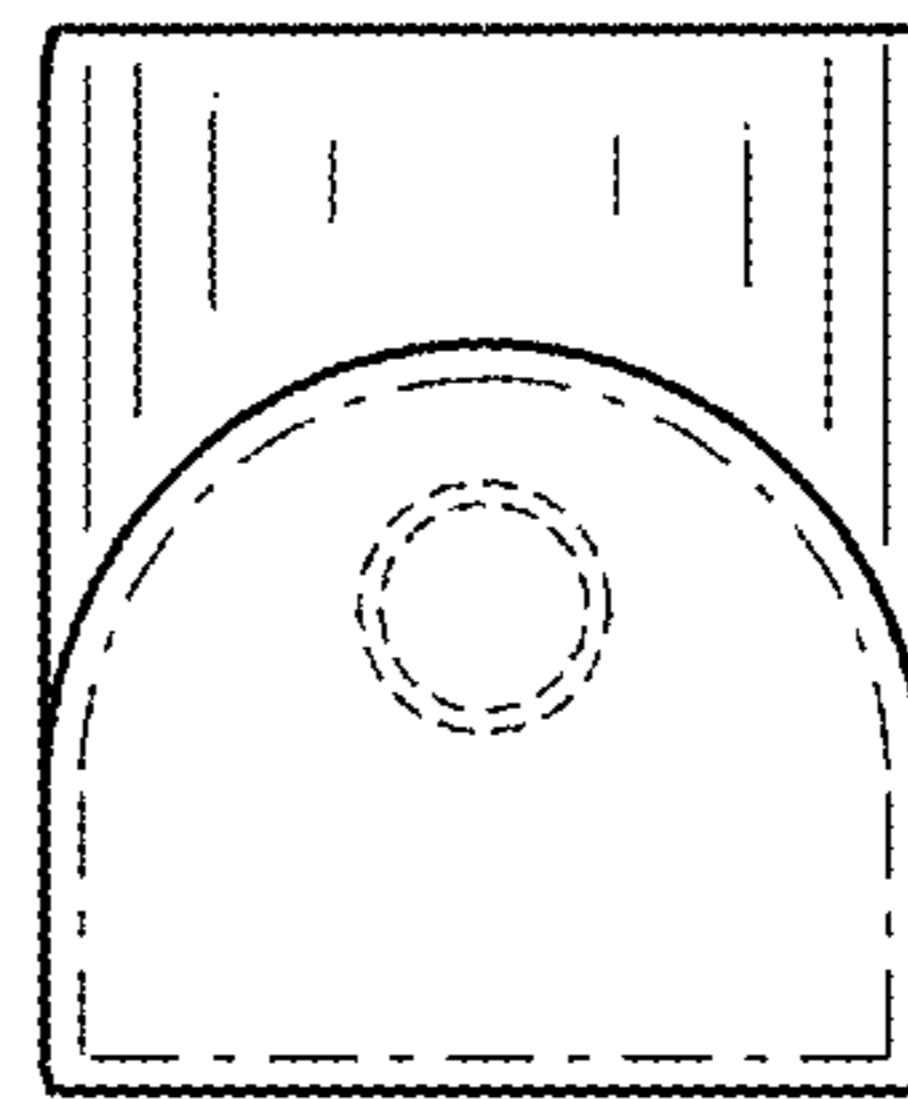


FIG. 12

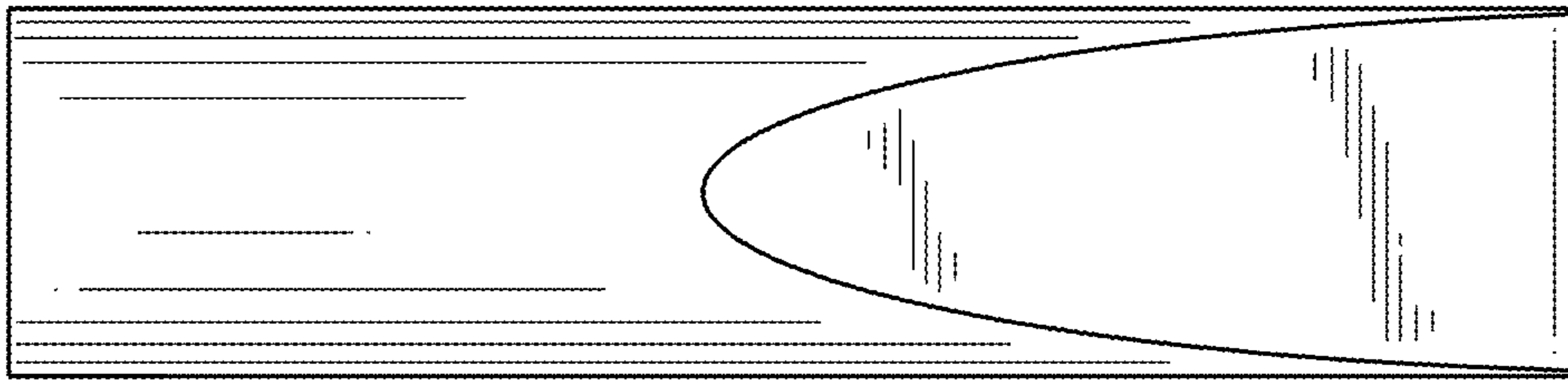


FIG. 13

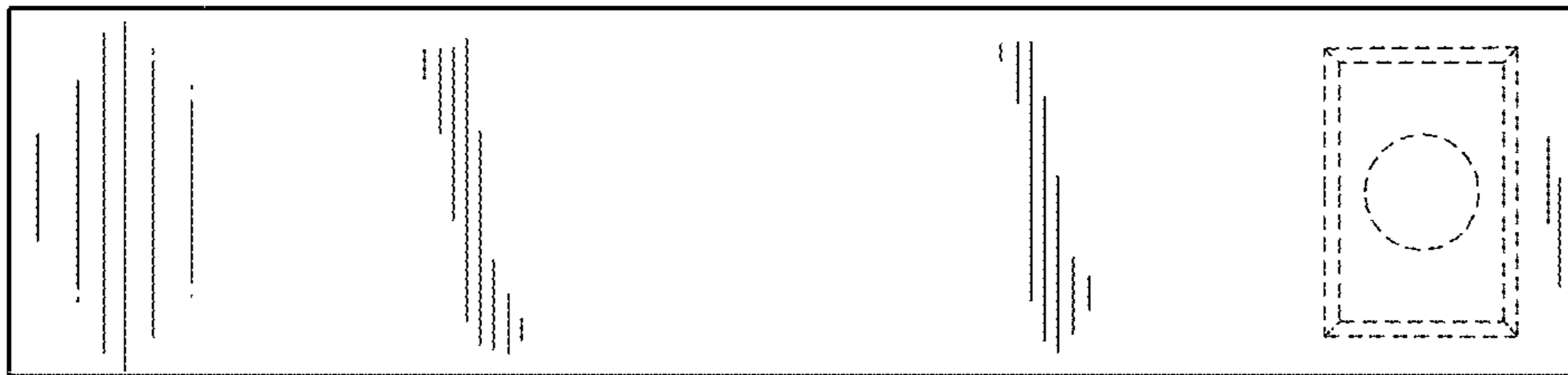


FIG. 14

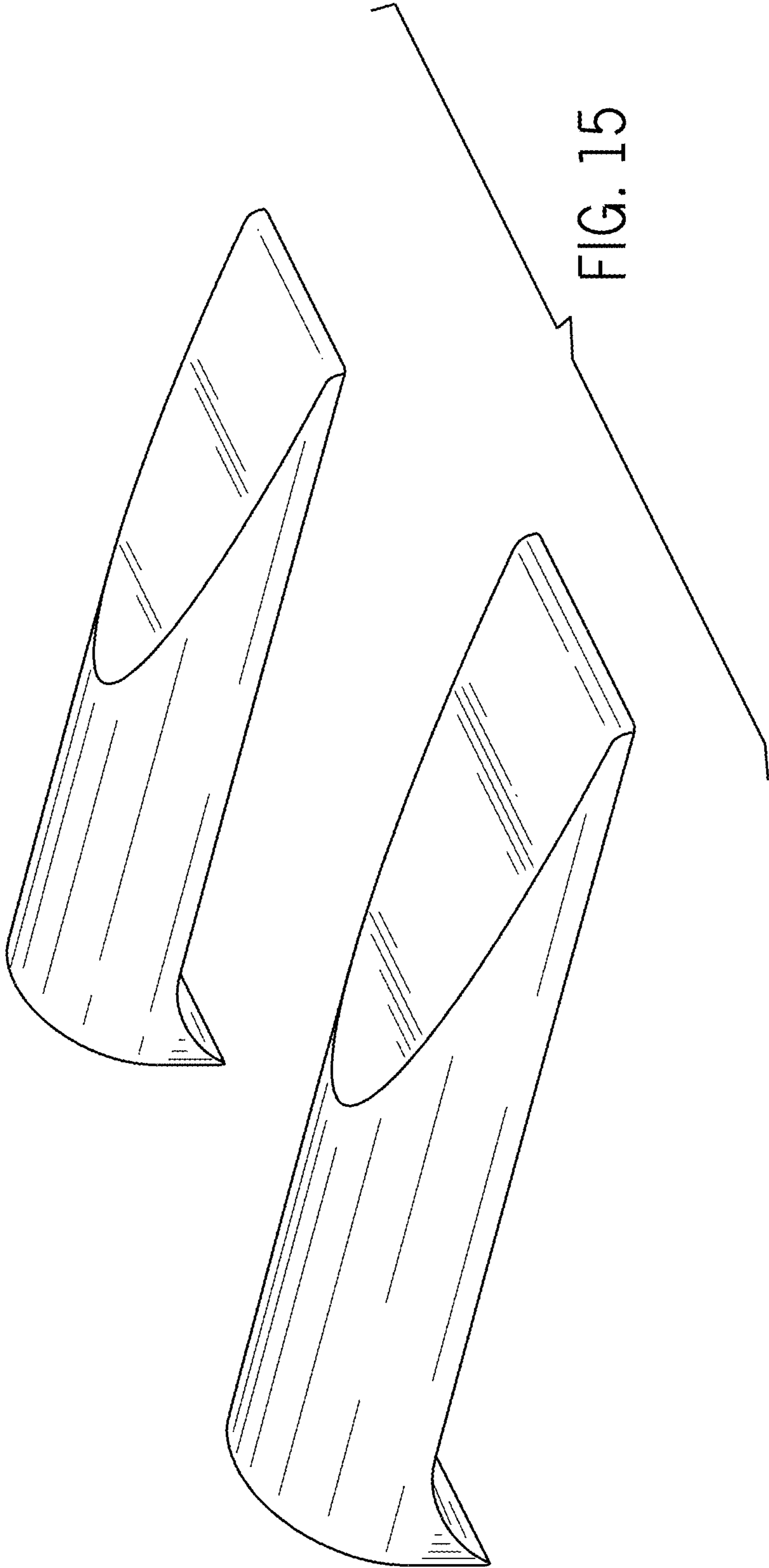


FIG. 15

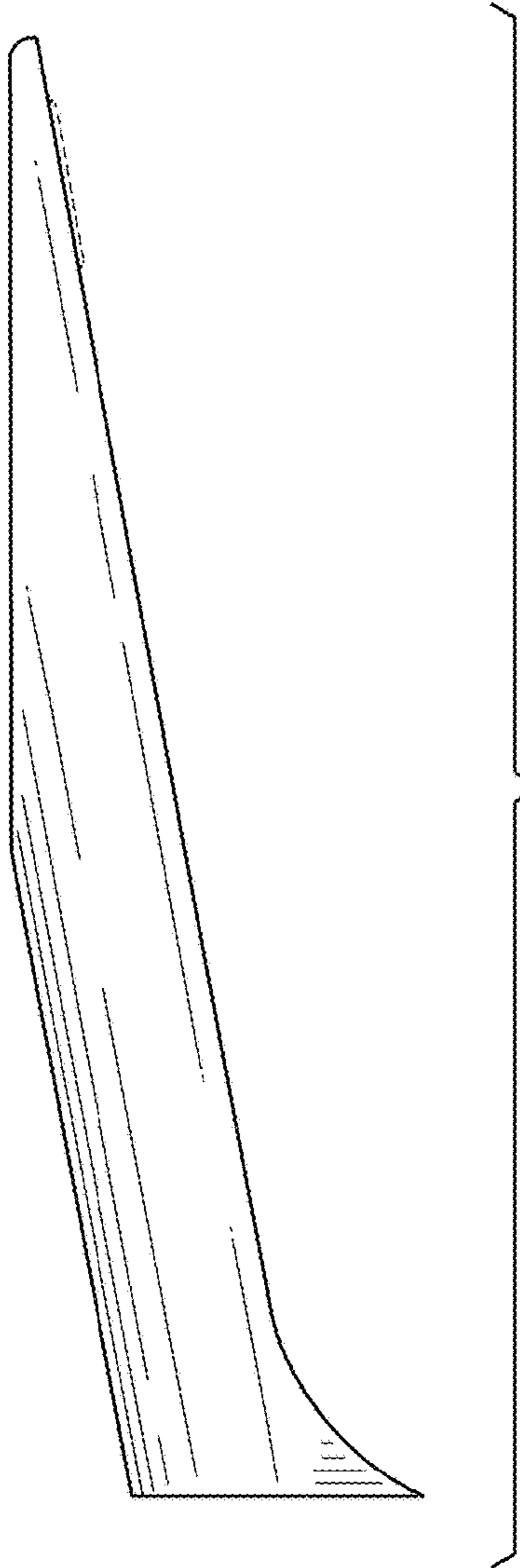


FIG. 16

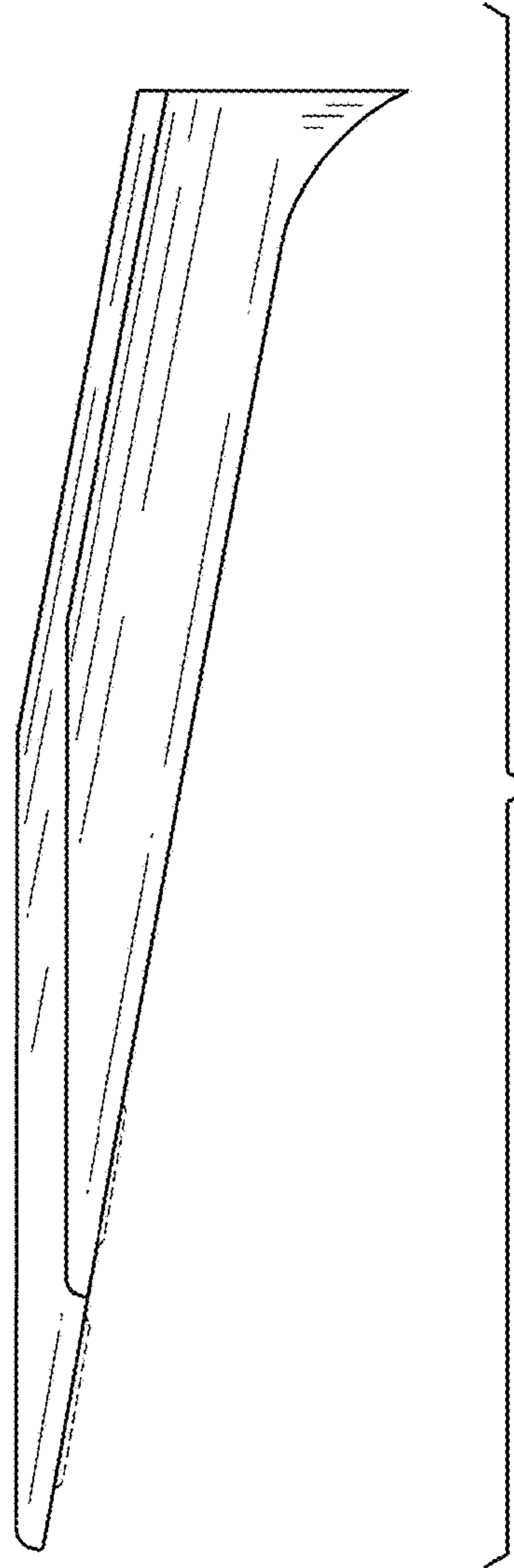


FIG. 17

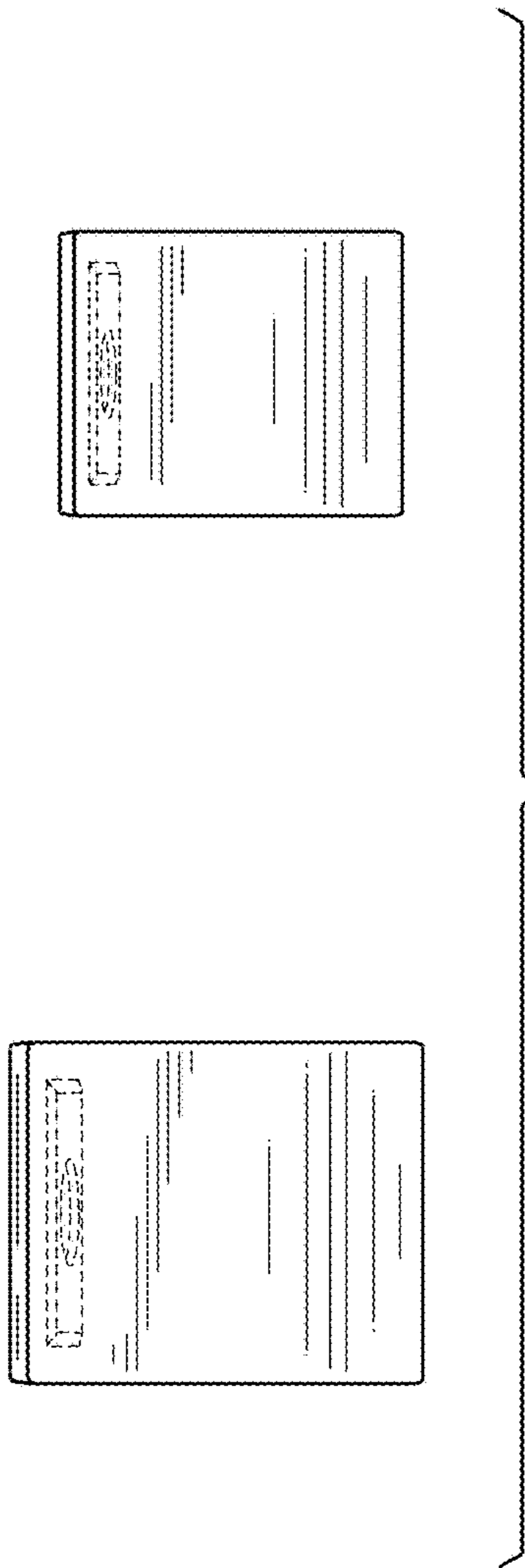


FIG. 18

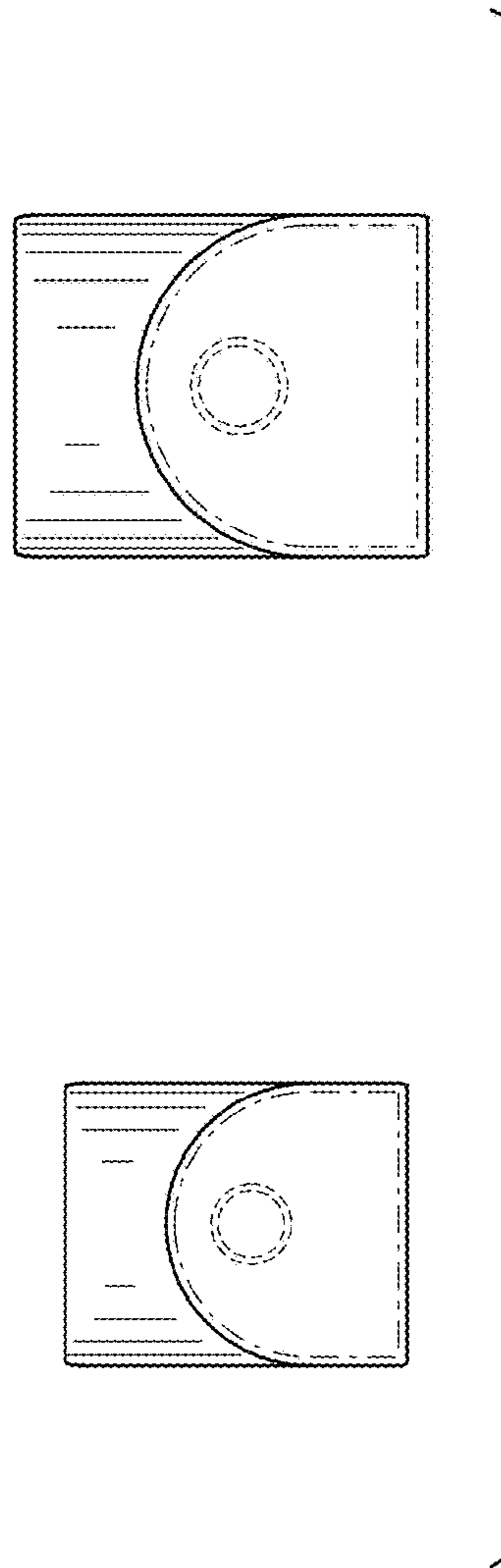


FIG. 19

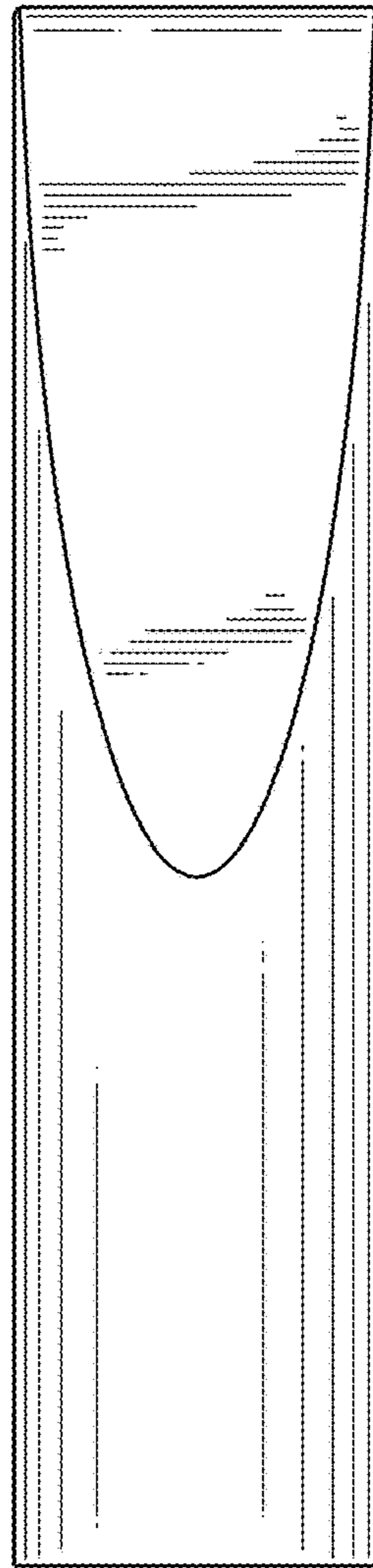
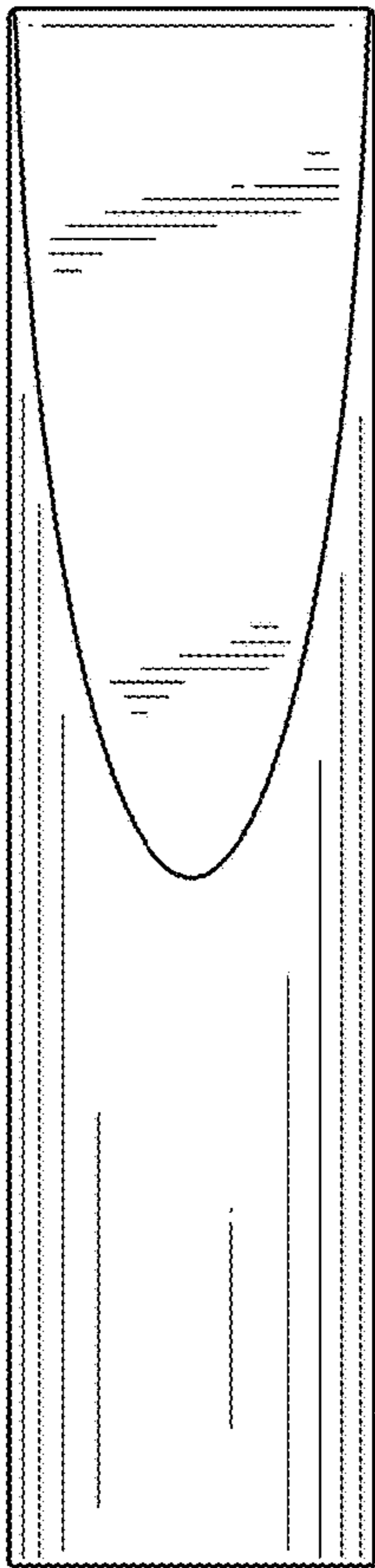


FIG. 20

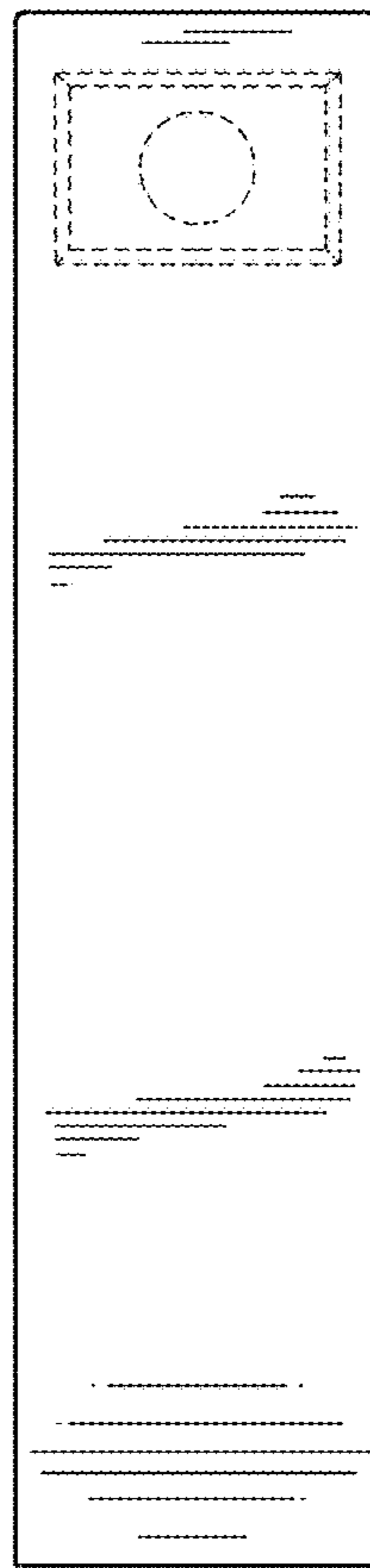
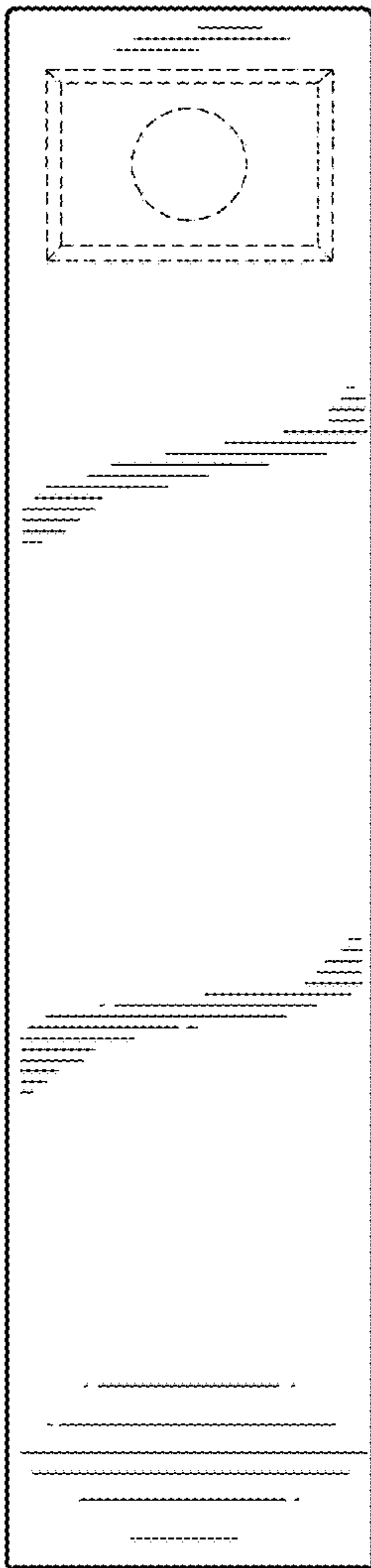


FIG. 21