



US00D805606S

(12) **United States Design Patent**
Bennett

(10) **Patent No.:** **US D805,606 S**

(45) **Date of Patent:** **** Dec. 19, 2017**

(54) **FAUCET BASE**

D697,588 S * 1/2014 Schoenherr D23/238
D759,205 S * 6/2016 Eads D23/238

(71) Applicant: **DELTA FAUCET COMPANY**,
Indianapolis, IN (US)

* cited by examiner

(72) Inventor: **Samantha Bennett**, Bayou Vista, TX
(US)

Primary Examiner — Robert A Delehanty

(74) *Attorney, Agent, or Firm* — Edgar A. Zarins; Nirav
D. Parikh

(73) Assignee: **DELTA FAUCET COMPANY**,
Indianapolis, IN (US)

(**) Term: **15 Years**

(21) Appl. No.: **29/587,616**

(22) Filed: **Dec. 14, 2016**

(51) **LOC (10) Cl.** **23-01**

(52) **U.S. Cl.**
USPC **D23/238**

(58) **Field of Classification Search**
USPC D23/238–282; D8/307–308
CPC Y10T 137/9464
See application file for complete search history.

(56) **References Cited**

U.S. PATENT DOCUMENTS

D479,579 S * 9/2003 Haug D23/238
D684,244 S * 6/2013 Hanus D23/238

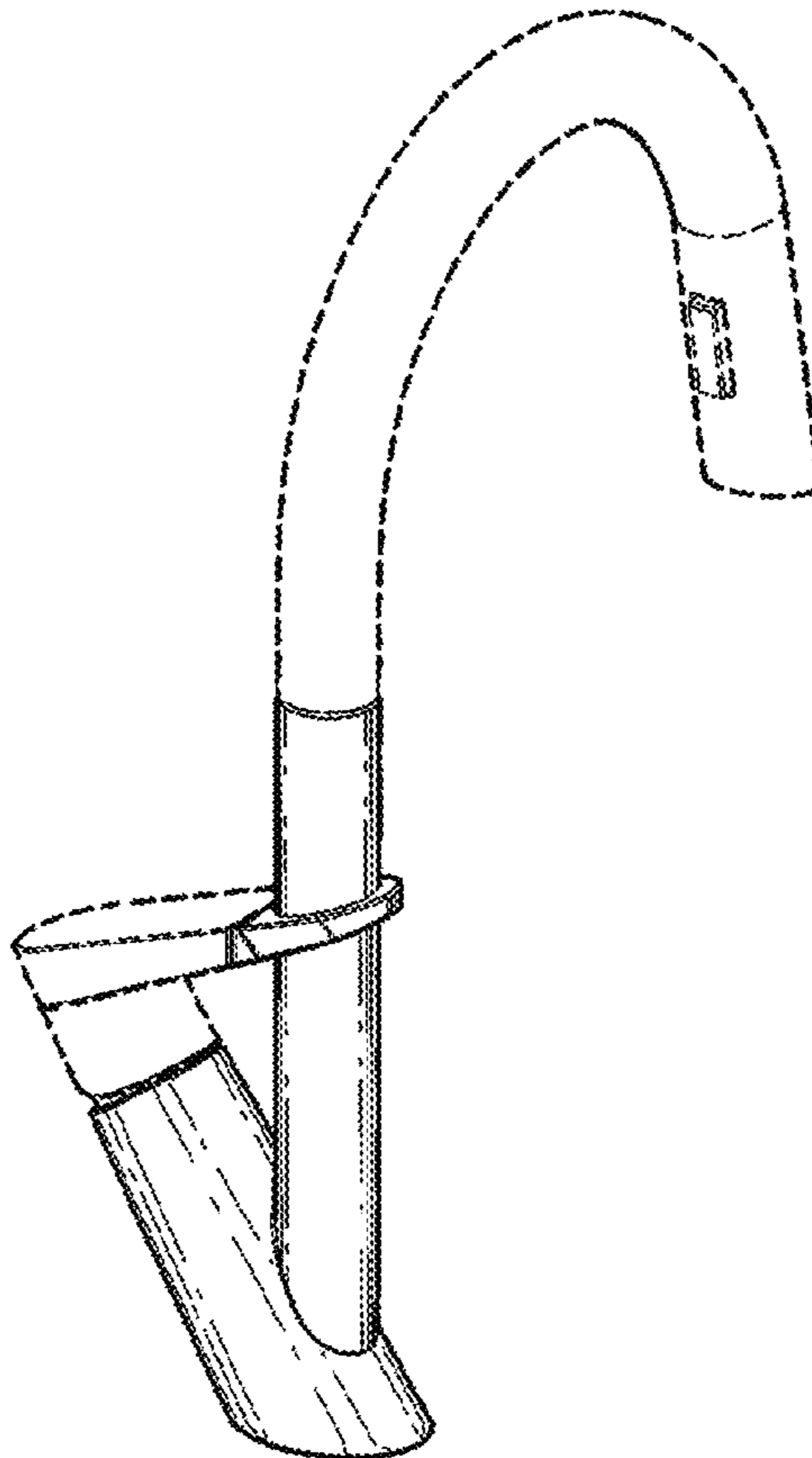
(57) **CLAIM**

The ornamental design for a faucet base, as shown and described.

DESCRIPTION

FIG. 1 is a perspective view of a faucet base showing my new design;
FIG. 2 is a right side view thereof;
FIG. 3 is a front elevational view thereof;
FIG. 4 is a rear view thereof;
FIG. 5 is a top plan view thereof;
FIG. 6 is a left side view thereof; and,
FIG. 7 is a bottom view thereof.
The broken lines showing a portion of the faucet form no part of the claimed design.

1 Claim, 2 Drawing Sheets



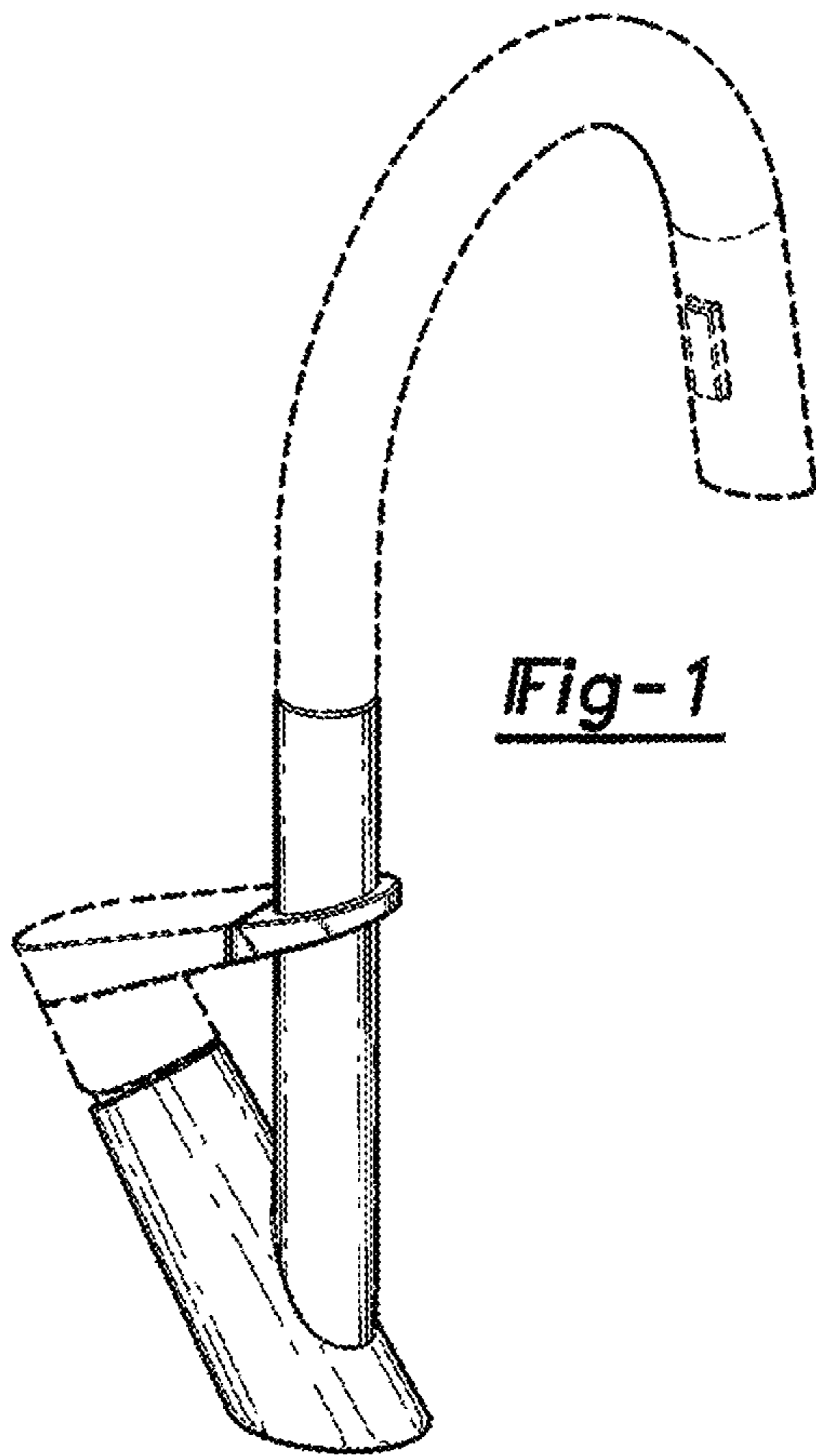


Fig-1

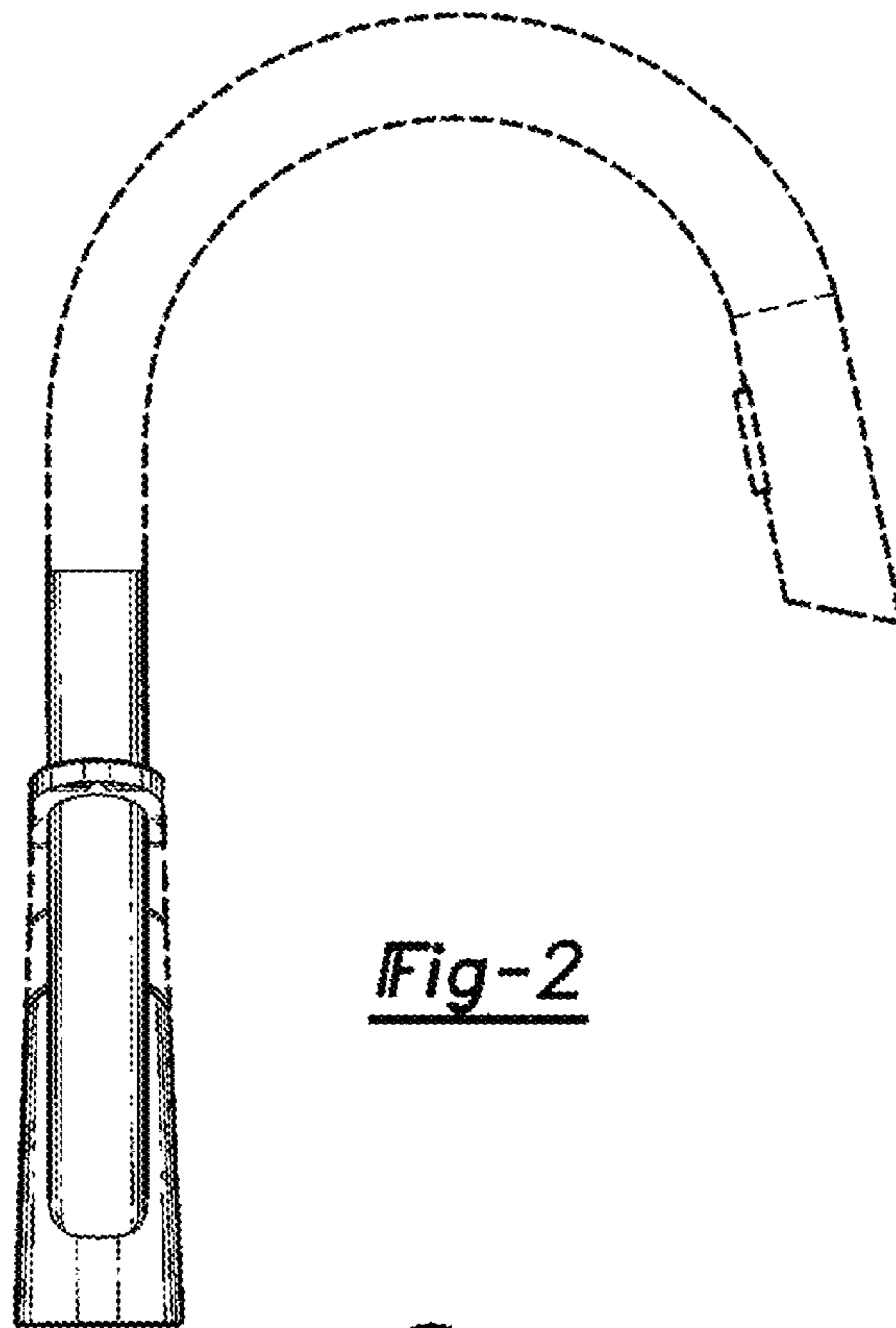


Fig-2

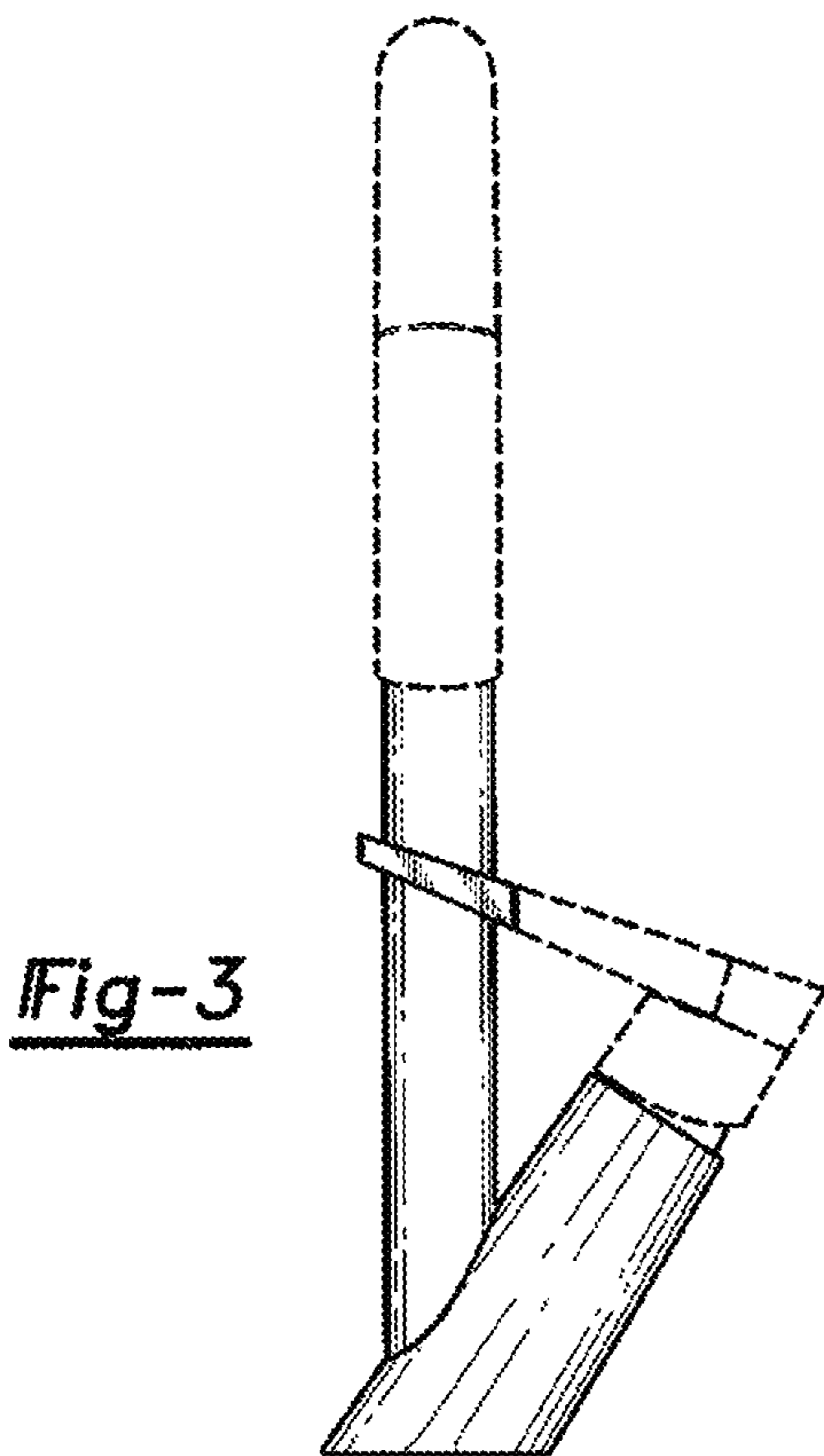


Fig-3

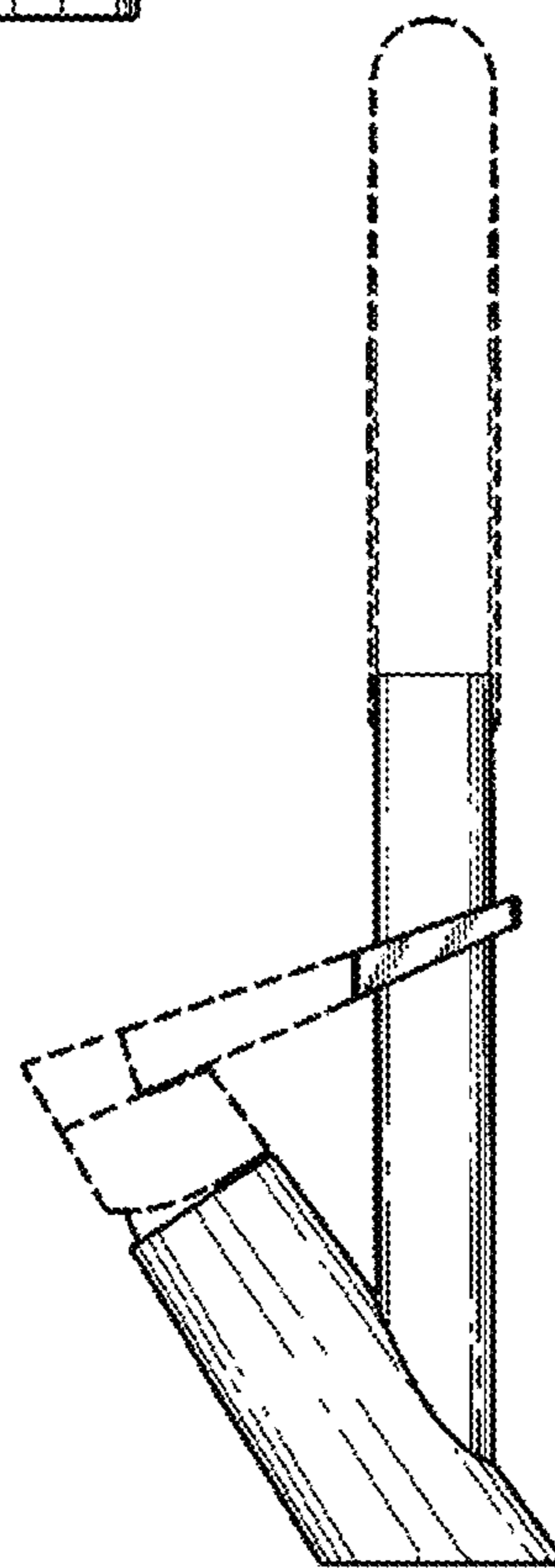


Fig-4

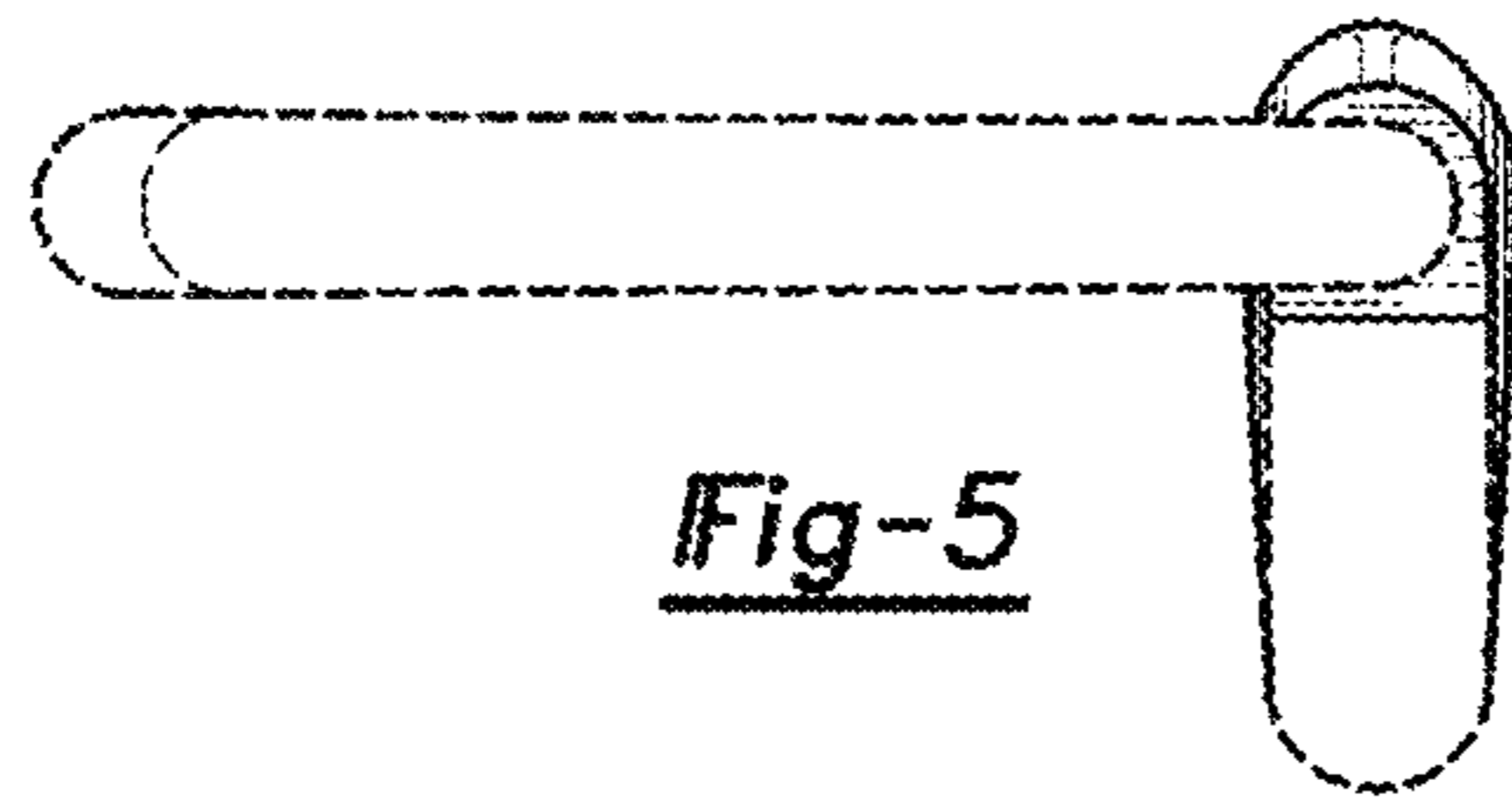


Fig-5

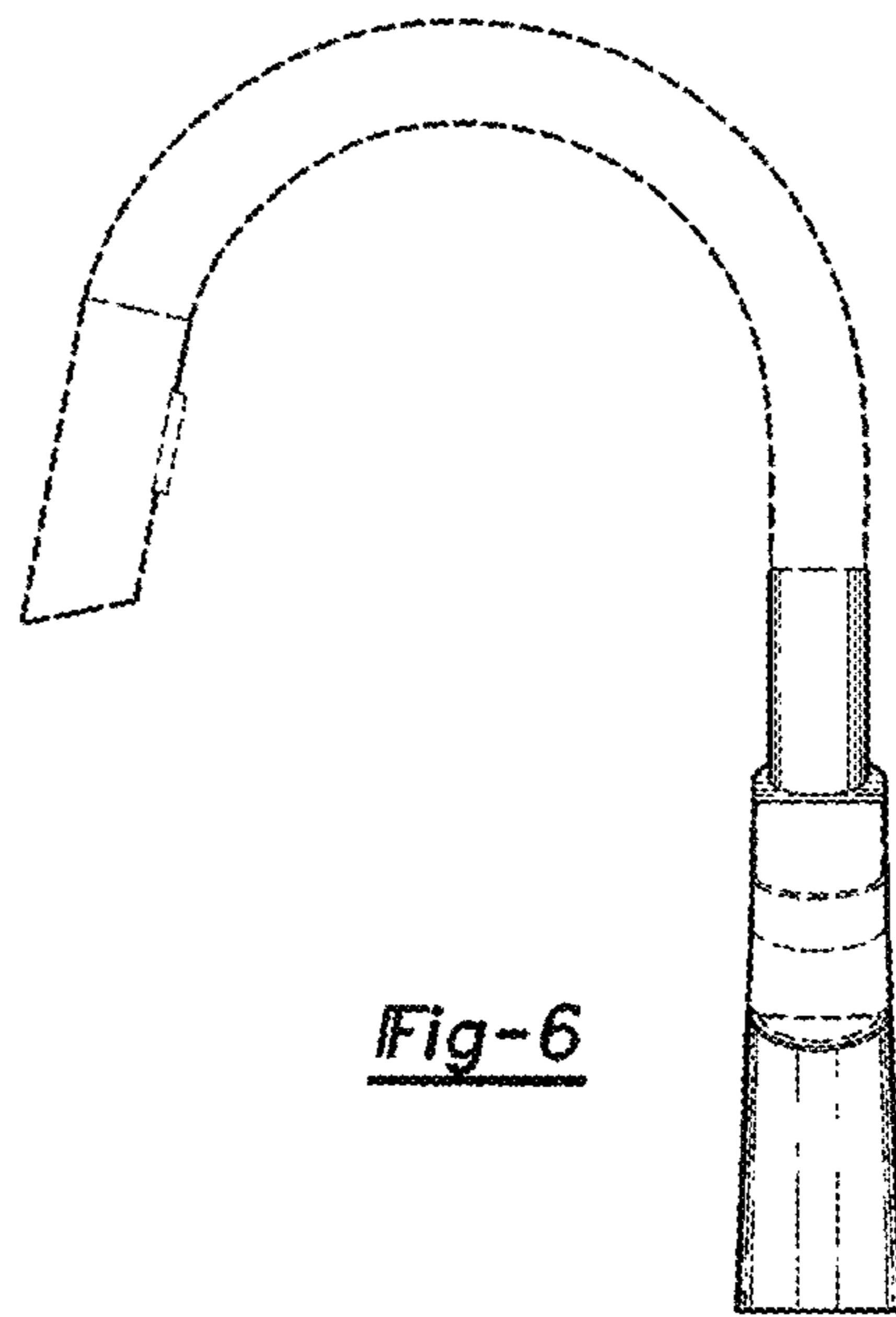


Fig-6

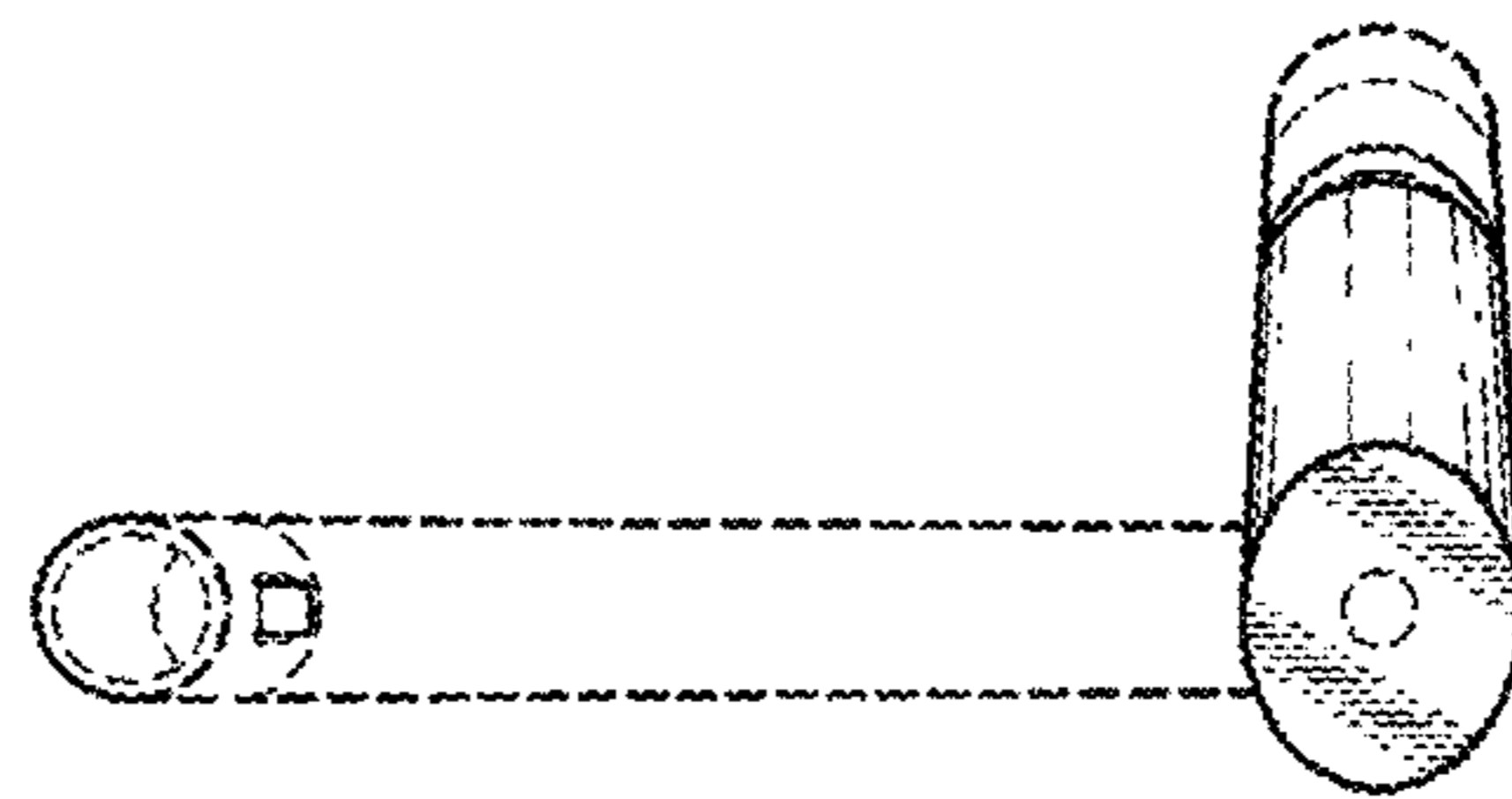


Fig-7