



US00D805603S

(12) **United States Design Patent** (10) **Patent No.:** **US D805,603 S**  
**Hauth et al.** (45) **Date of Patent:** **\*\* Dec. 19, 2017**

(54) **VALVE POSITIONER FOR THE DISTRIBUTION OF FLUID AND GAS**

(71) Applicant: **Siemens Aktiengesellschaft**, Munich (DE)

(72) Inventors: **Matthias Hauth**, Stutensee (DE); **Juergen Kaiser**, Koenigsbach-Stein (DE); **Stefan Nagel**, Offenbach (DE)

(73) Assignee: **Siemens Aktiengesellschaft**, Munich (DE)

(\*\*) Term: **15 Years**

(21) Appl. No.: **29/562,826**

(22) Filed: **Apr. 29, 2016**

(30) **Foreign Application Priority Data**

Nov. 3, 2015 (EM) ..... 001442214

(51) **LOC (10) Cl.** ..... **23-01**

(52) **U.S. Cl.**  
USPC ..... **D23/233**

(58) **Field of Classification Search**  
USPC ..... D15/199, 7, 9; D23/233, 234, 235, 236, D23/237, 238, 239, 240, 241, 242, 243, D23/244, 245, 246, 247, 248, 249, 250, D23/259, 255; 4/302, 323, 378, 420, 4/427, 431-435, 661; 251/41, 291, 15, 251/129.04, 129.15, 129.01, 172, 369; 137/1, 115.23, 487.5, 625.64, 343, 882, 137/560, 557, 558, 554  
CPC ..... Y10T 137/0379; Y10T 137/0396; Y10T 137/218; Y10T 137/2452; Y10T 137/8663; Y10T 137/0324; Y10T 137/87185; F15B 9/09; F16K 31/12; F04B 49/22

See application file for complete search history.

(56) **References Cited**

U.S. PATENT DOCUMENTS

3,331,289 A \* 7/1967 Horst ..... F15B 11/02 91/390  
4,213,233 A \* 7/1980 Brakebill ..... F16K 31/385 29/890.124  
D409,725 S \* 5/1999 Ito ..... D23/235  
6,422,532 B1 \* 7/2002 Garner ..... F16K 37/0058 137/487.5  
7,219,691 B2 \* 5/2007 Gethmann ..... F16K 37/0008 137/554  
D600,725 S \* 9/2009 Iwai ..... D15/143  
9,404,515 B2 \* 8/2016 Esposito ..... F15B 15/202  
2015/0115182 A1 \* 4/2015 Inoue ..... F15B 5/006 251/30.01

OTHER PUBLICATIONS

Siemens "electropneumatic positioner" [https://w3app.siemens.com/mcms/infocenter/dokumentencenter/sc/pi/InfocenterLanguagePacks/Flyer%20Our%20SIPART%20PS2/Flyer\\_SITRANS\\_PS2.pdf](https://w3app.siemens.com/mcms/infocenter/dokumentencenter/sc/pi/InfocenterLanguagePacks/Flyer%20Our%20SIPART%20PS2/Flyer_SITRANS_PS2.pdf). Dec. 22, 2016. shown in p. 1, Item # SIPART PS2.\*

\* cited by examiner

*Primary Examiner* — Cynthia Ramirez

*Assistant Examiner* — Michael Maharajh

(74) *Attorney, Agent, or Firm* — Schiff Hardin LLP

(57) **CLAIM**

The ornamental design for a valve positioner for the distribution of fluid and gas, as shown and described.

**DESCRIPTION**

FIG. 1 is a front elevational view of a valve positioner for the distribution of fluid and gas showing our new design; FIG. 2 is a back elevational view thereof; FIG. 3 is a top plan view thereof; FIG. 4 is a bottom plan view thereof; FIG. 5 is a right side elevational view thereof; FIG. 6 is a left side elevational view thereof; and, FIG. 7 is a top, front, right perspective view thereof.

**1 Claim, 7 Drawing Sheets**

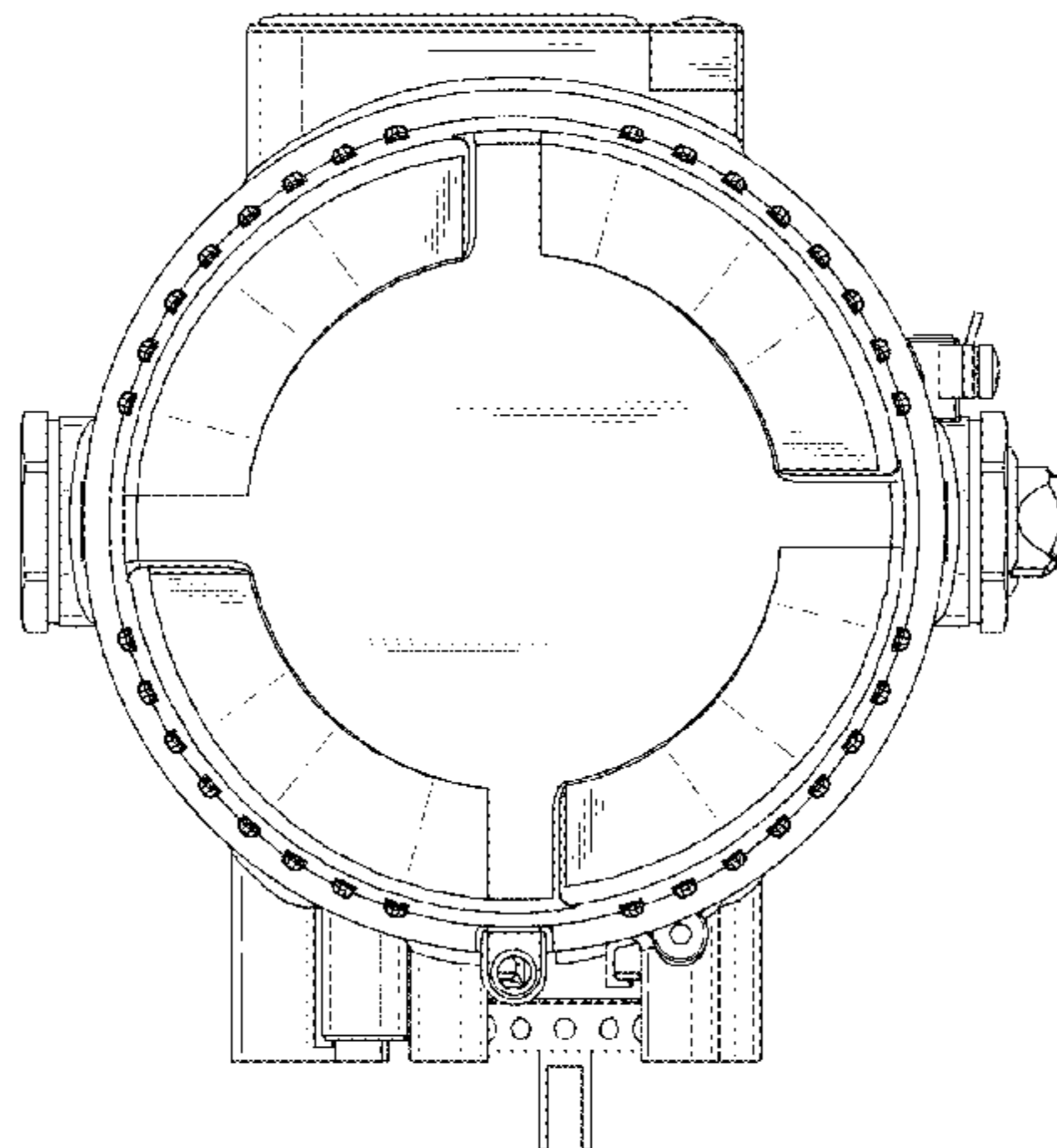


FIG 1

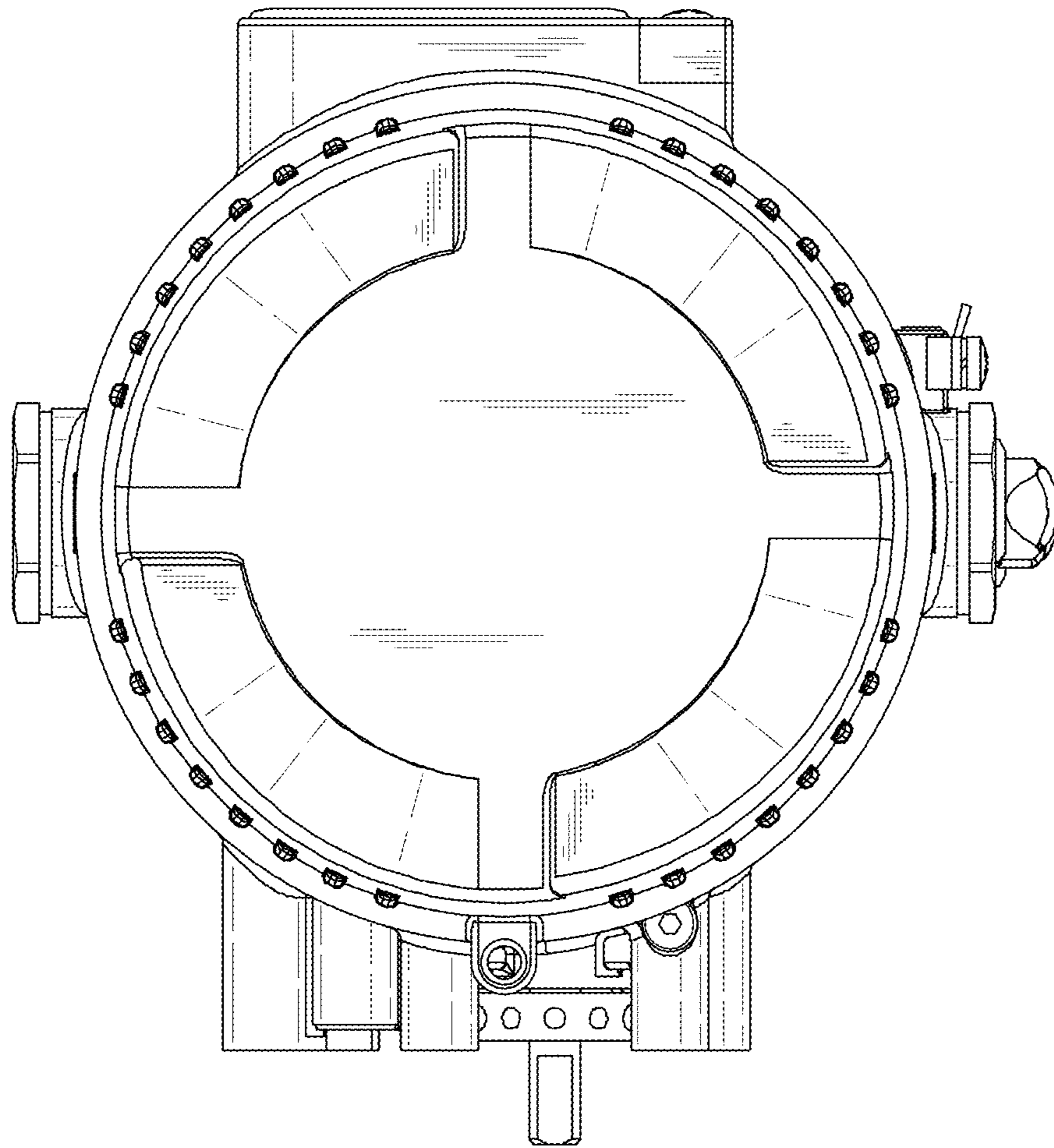


FIG 2

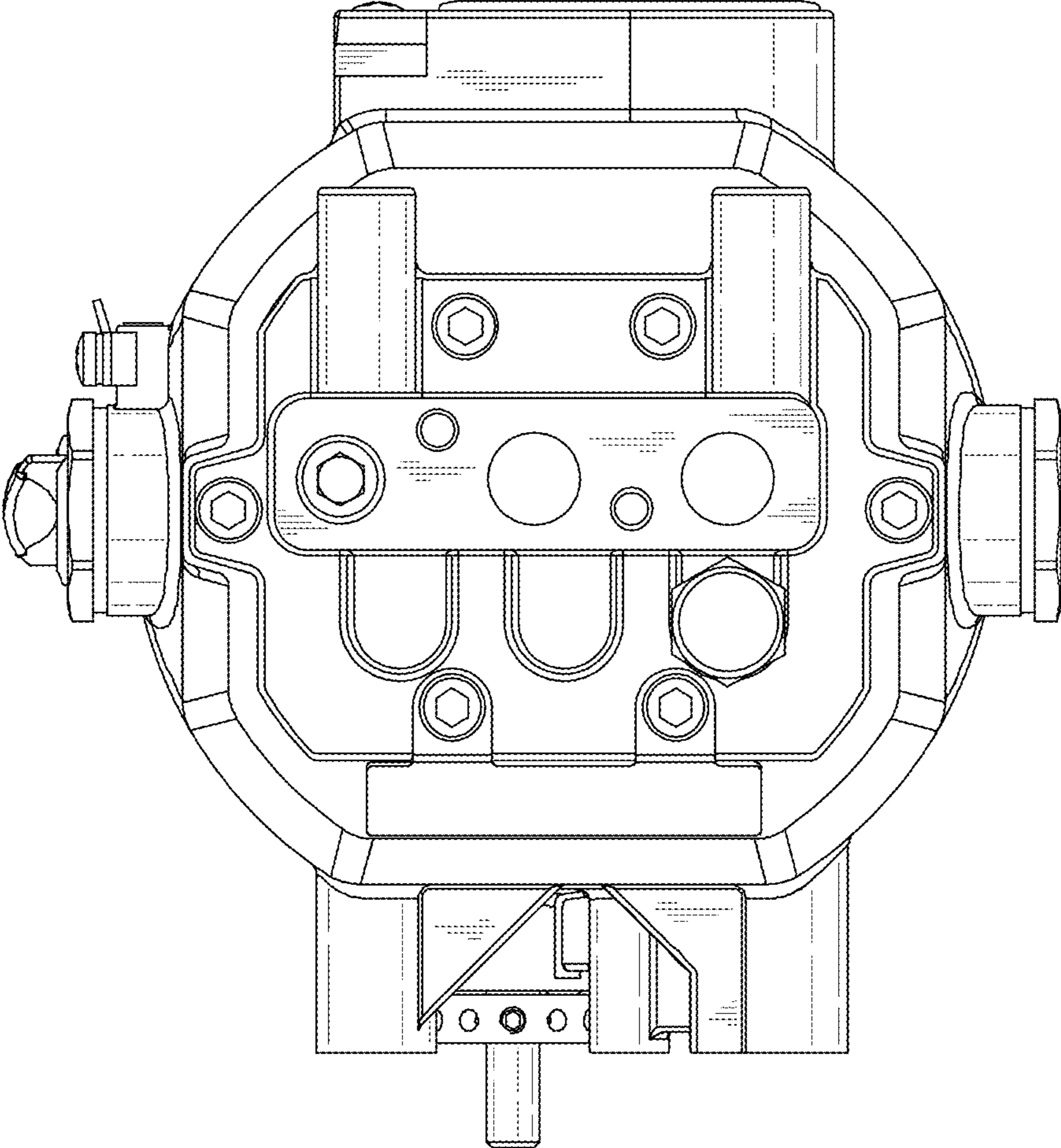


FIG 3

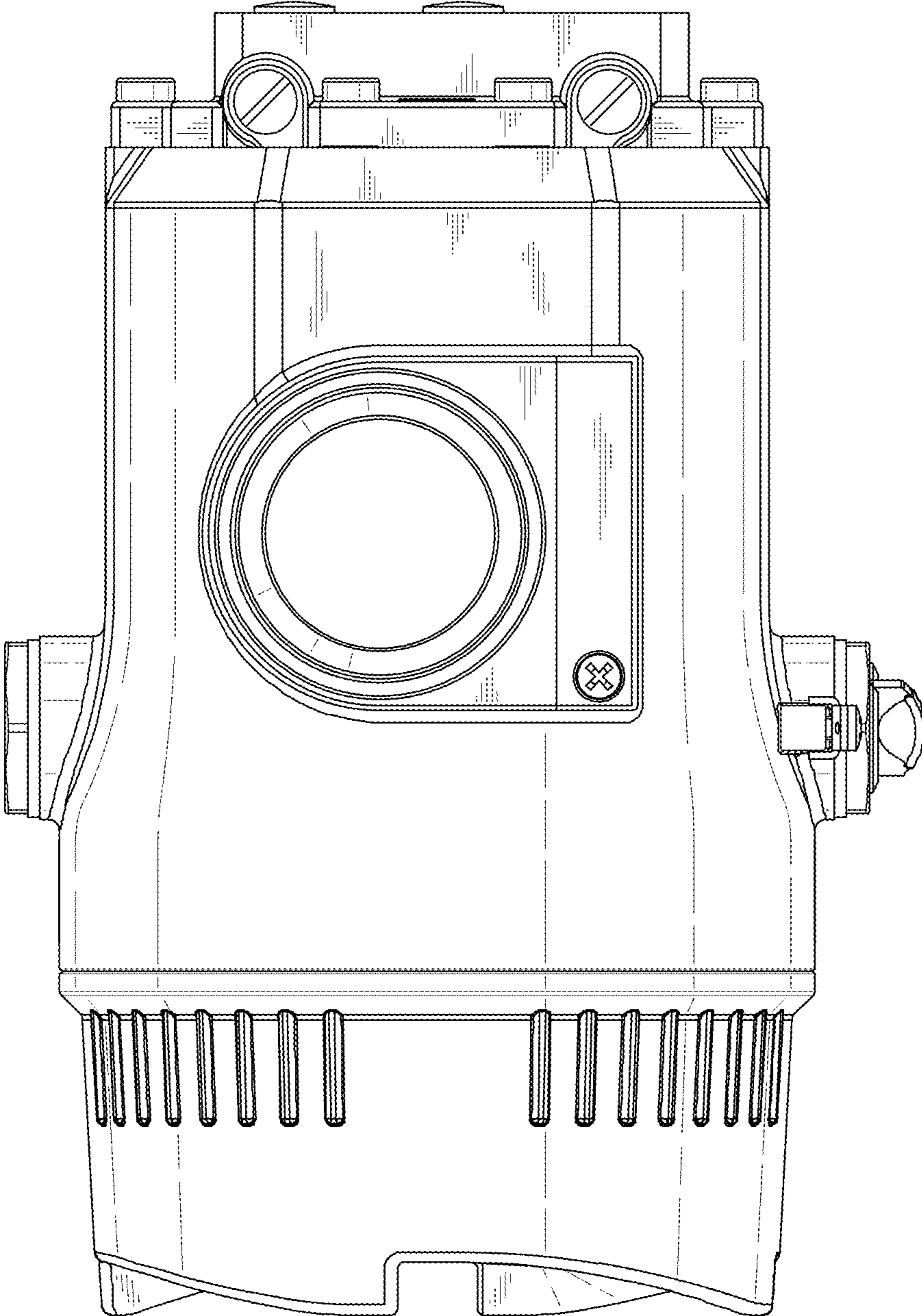


FIG 4

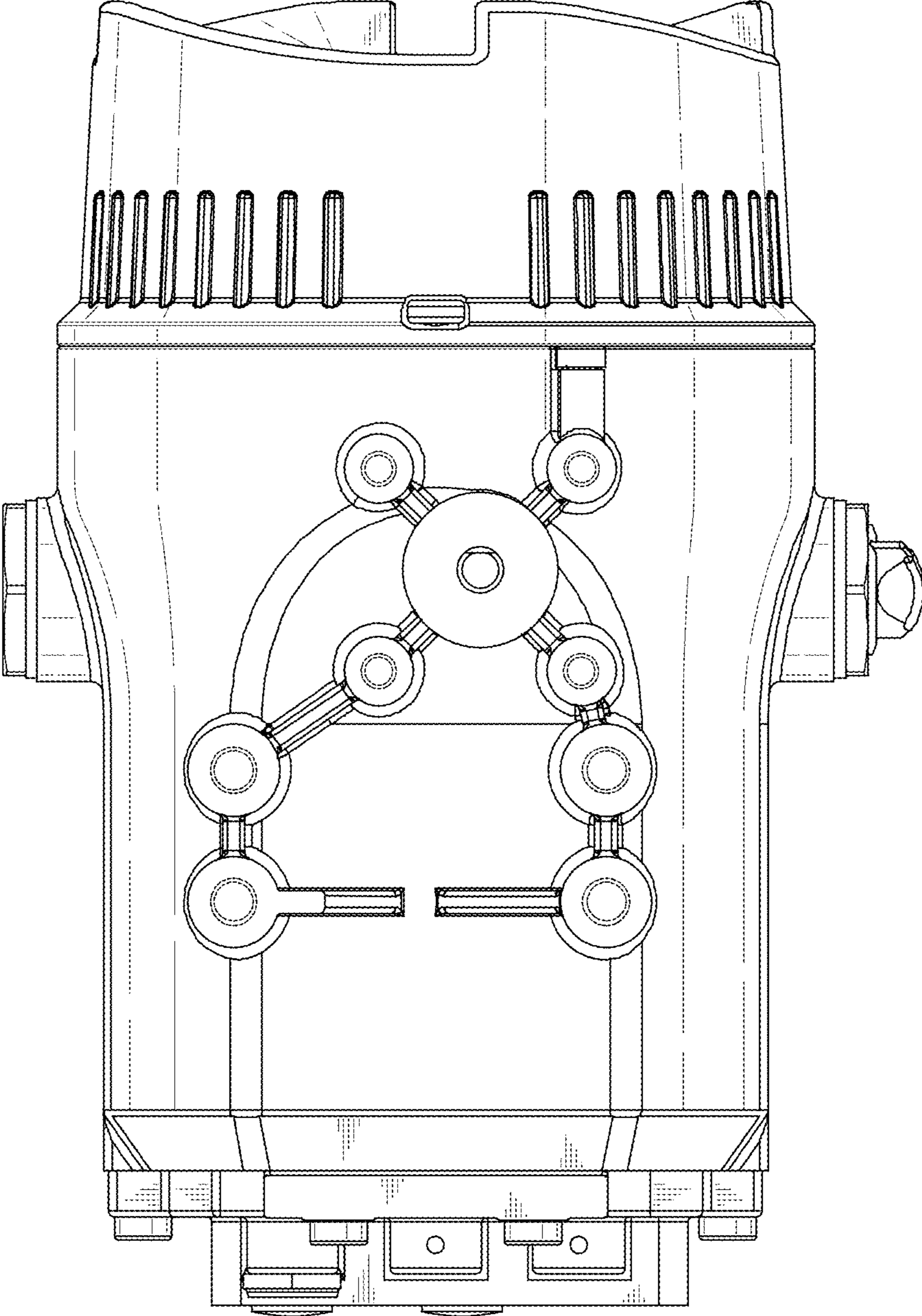


FIG 5

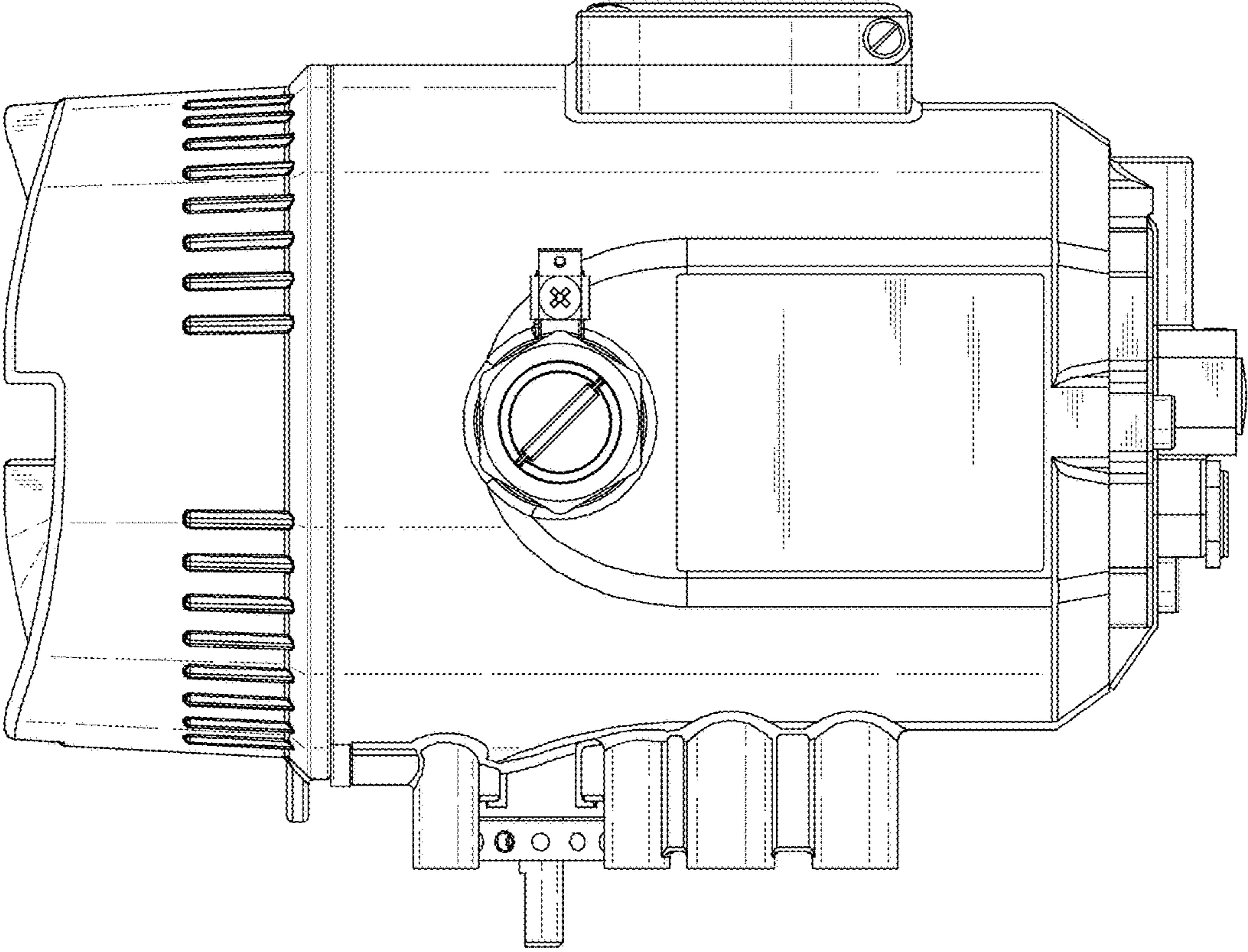


FIG 6

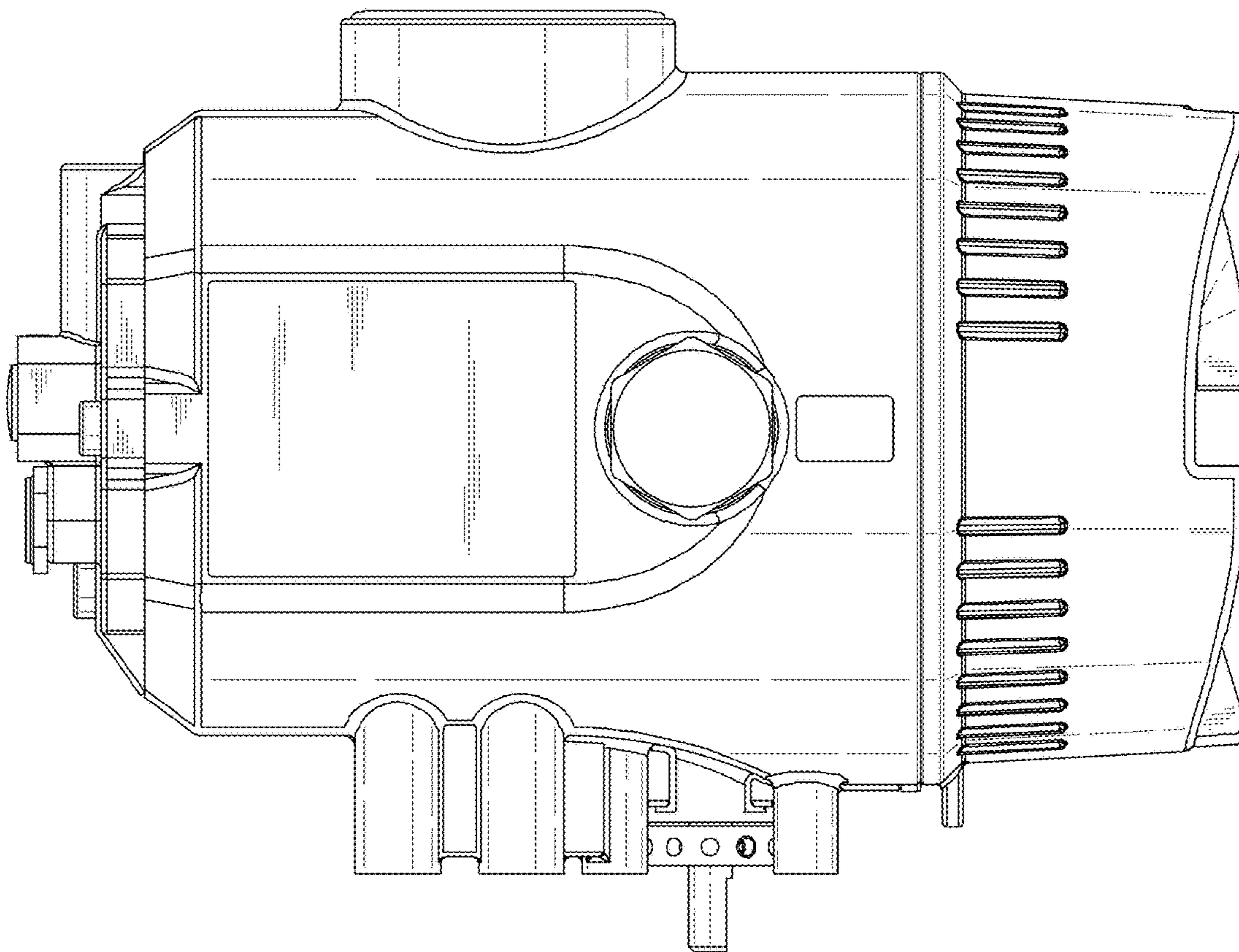


FIG 7

