



US00D805602S

(12) **United States Design Patent**  
**Chang**

(10) **Patent No.:** **US D805,602 S**

(45) **Date of Patent:** **\*\* Dec. 19, 2017**

(54) **SPRINKLER GUN**

(71) Applicant: **Cheng Yao Hardware Co., Ltd.**,  
Taichung (TW)

(72) Inventor: **Chao-Ming Chang**, Taichung (TW)

(73) Assignee: **Cheng Yao Hardware Co., Ltd.**,  
Taichung (TW)

(\*\*) Term: **15 Years**

(21) Appl. No.: **29/585,240**

(22) Filed: **Nov. 22, 2016**

(51) **LOC (10) Cl.** ..... **23-01**

(52) **U.S. Cl.**  
USPC ..... **D23/226**

(58) **Field of Classification Search**  
USPC ..... D23/213, 223, 226; 239/526  
CPC ..... B05B 1/18; B05B 9/01; B05B 15/061;  
B05B 3/00; B05B 5/00; A62C 31/03;  
A62C 31/02

See application file for complete search history.

(56) **References Cited**

U.S. PATENT DOCUMENTS

D292,227 S \* 10/1987 Rudelick ..... D23/226  
6,151,729 A 11/2000 Yean  
D475,120 S \* 5/2003 Ouyoung ..... D23/226

D524,907 S \* 7/2006 Bosch ..... D23/223  
D540,909 S \* 4/2007 Yu ..... D23/226  
D563,504 S \* 3/2008 Fritz ..... D23/226  
D568,440 S \* 5/2008 Pan ..... D23/223  
D574,463 S \* 8/2008 Soriano ..... D23/226  
D581,486 S \* 11/2008 Fulford ..... D23/223  
D617,418 S \* 6/2010 Lin ..... D23/223  
D641,068 S \* 7/2011 Pendleton ..... D23/226  
D658,741 S \* 5/2012 Romero ..... D23/223  
D788,265 S \* 5/2017 Ho ..... D23/226

\* cited by examiner

*Primary Examiner* — Robin V Webster

(74) *Attorney, Agent, or Firm* — Senniger Powers LLP

(57) **CLAIM**

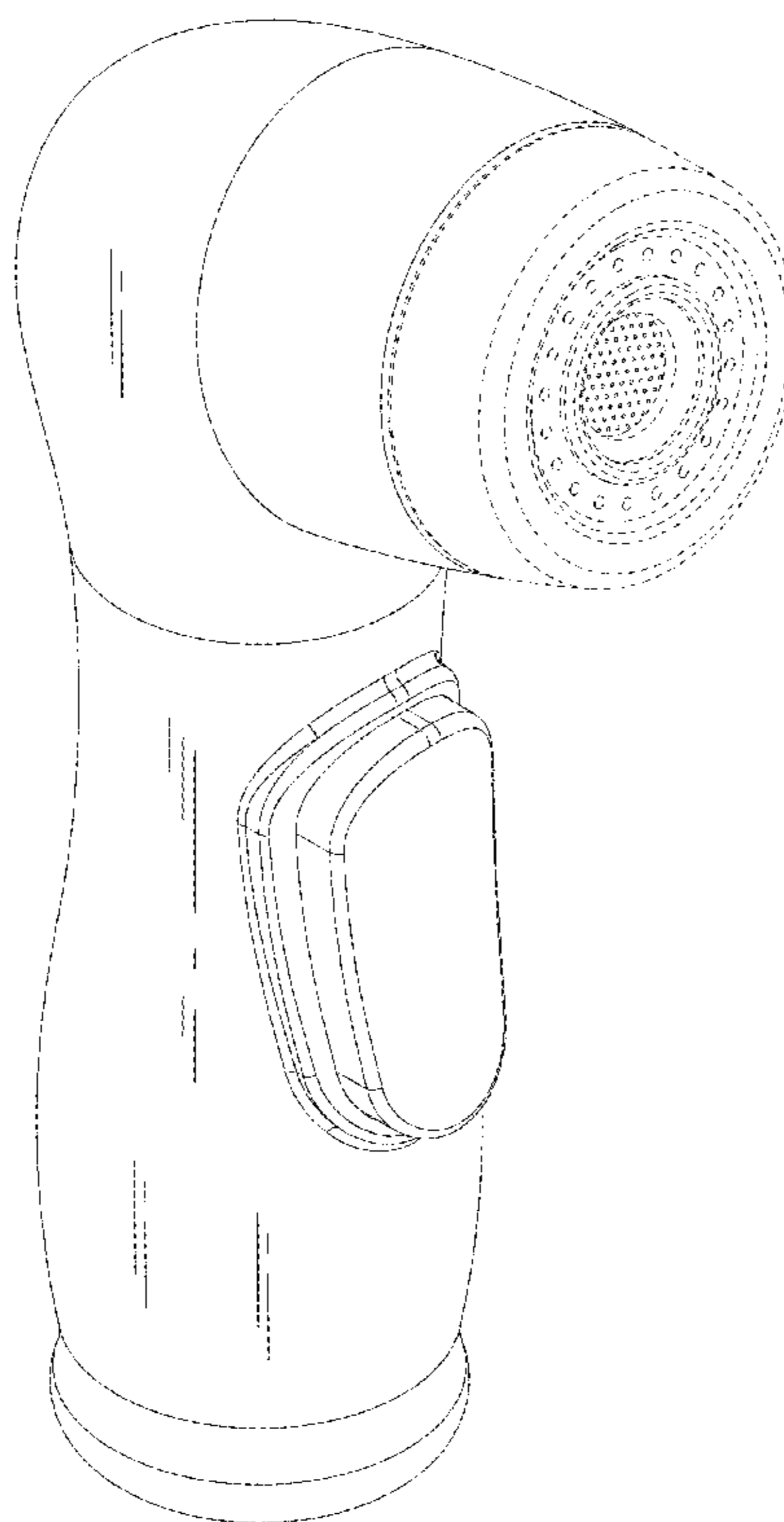
The ornamental design for a sprinkler gun, as shown and described.

**DESCRIPTION**

FIG. 1 is a right front perspective view of a timer showing our new design;  
FIG. 2 is a front view thereof;  
FIG. 3 is a rear view thereof;  
FIG. 4 is a left side view thereof;  
FIG. 5 is a right side view thereof;  
FIG. 6 is a top view thereof; and,  
FIG. 7 is a bottom view thereof.

Portions of the sprinkler gun are shown in broken lines for illustrative purposes and form no part of the claimed design.

**1 Claim, 7 Drawing Sheets**



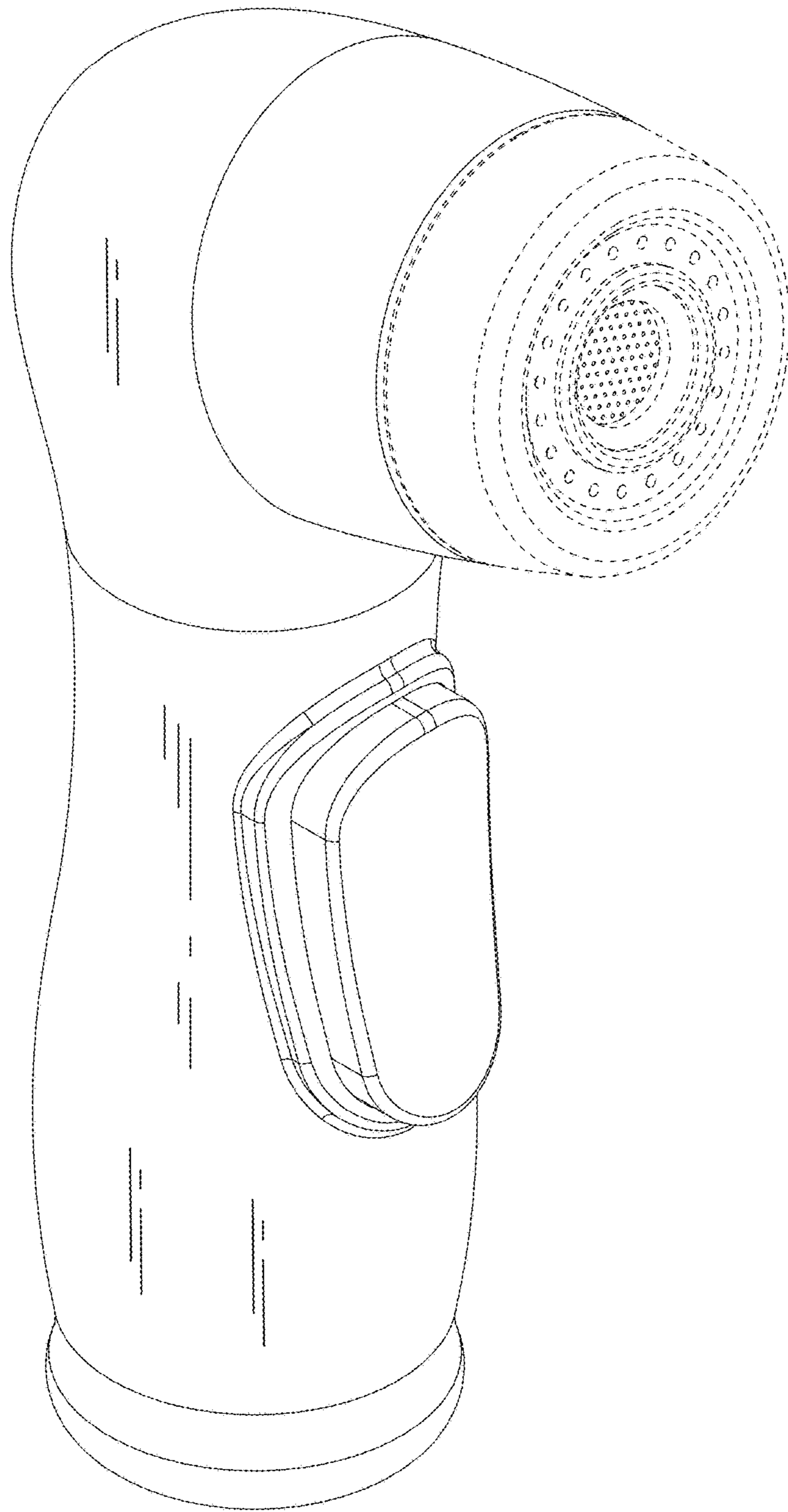


FIG.1

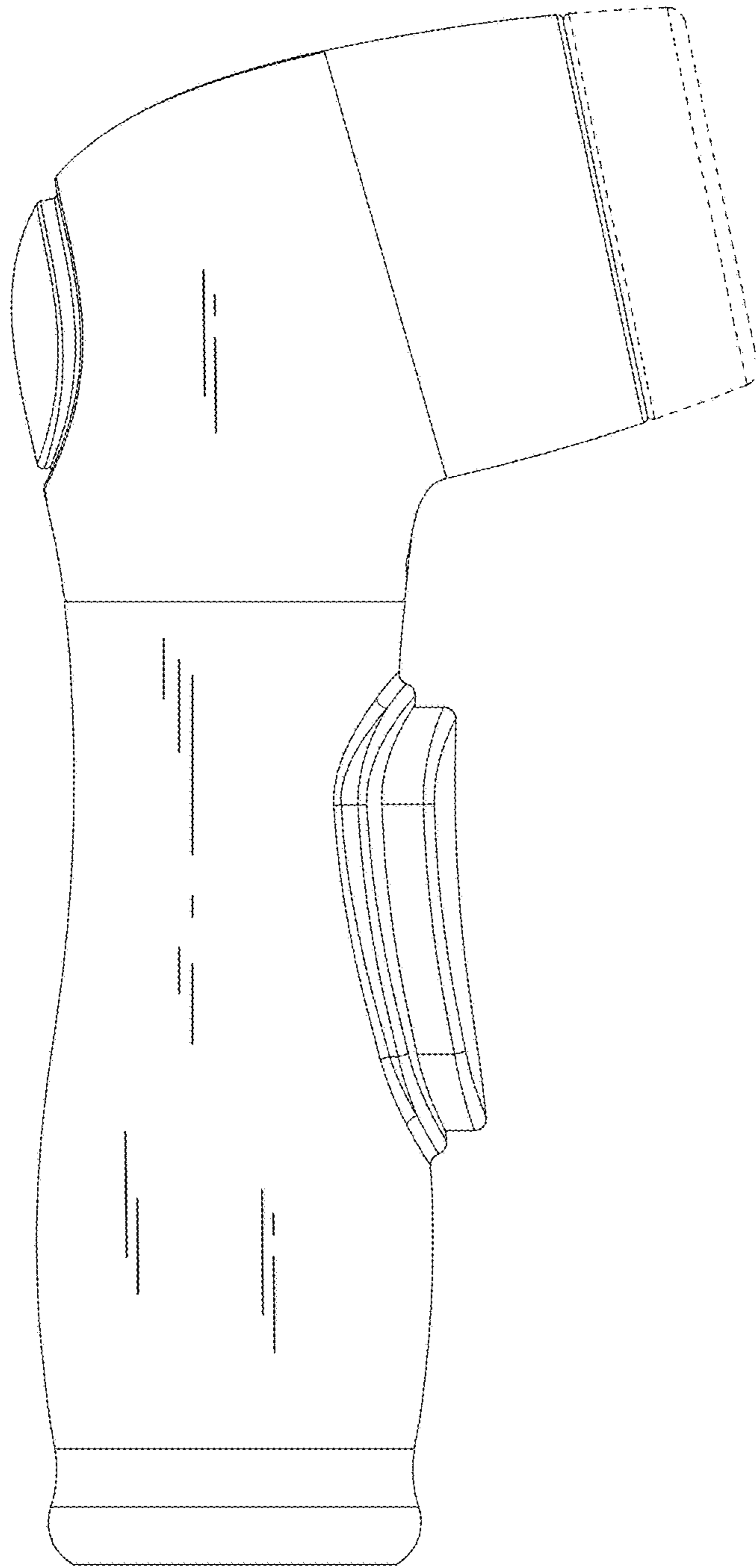


FIG.2

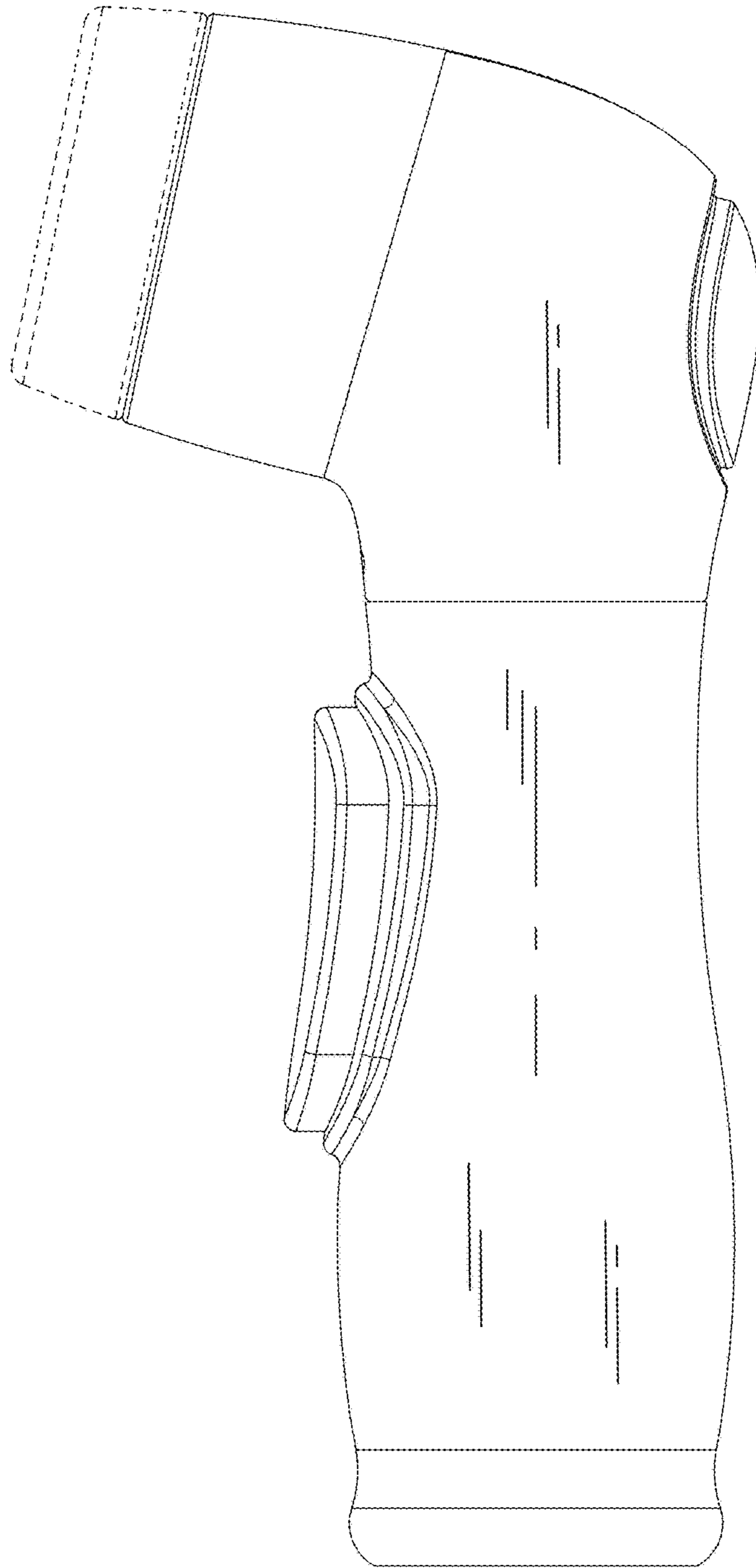


FIG.3

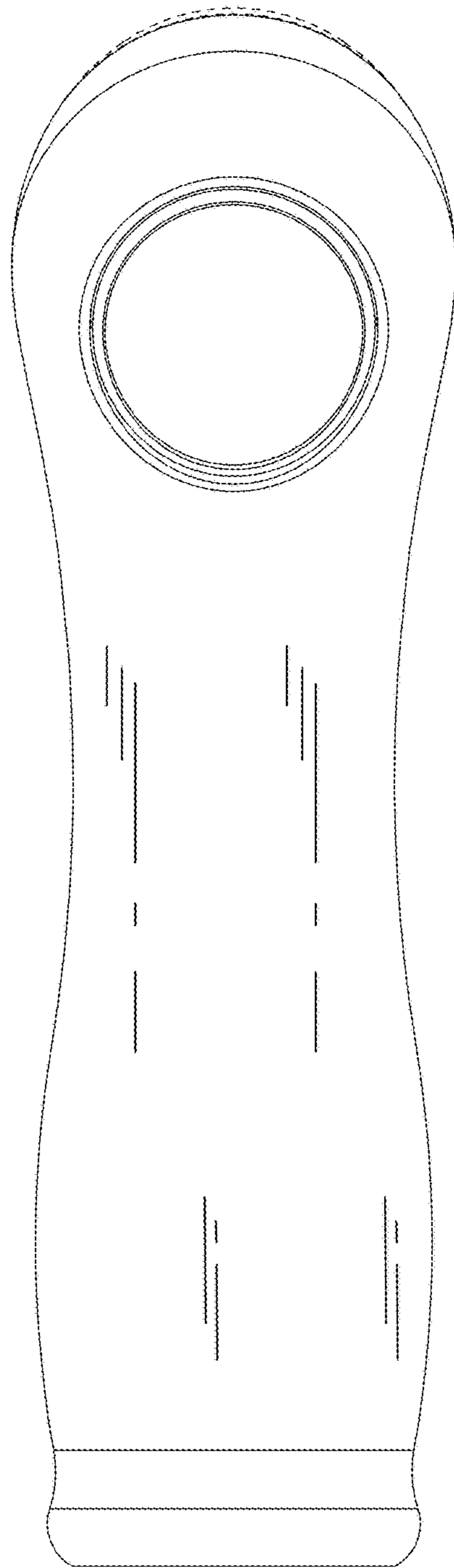


FIG.4

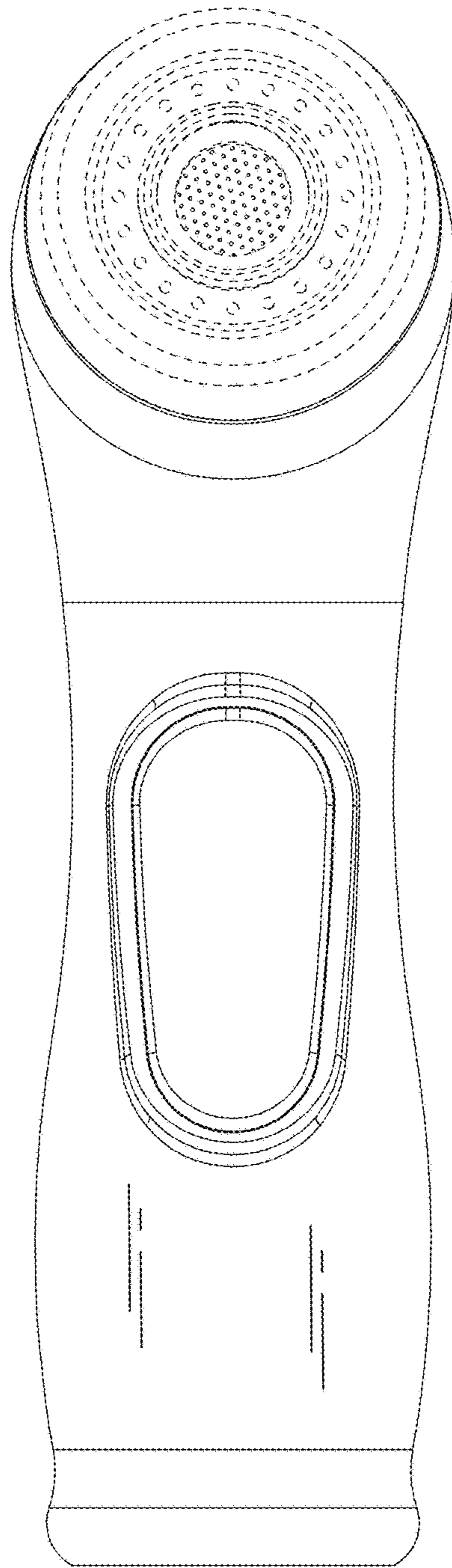


FIG.5

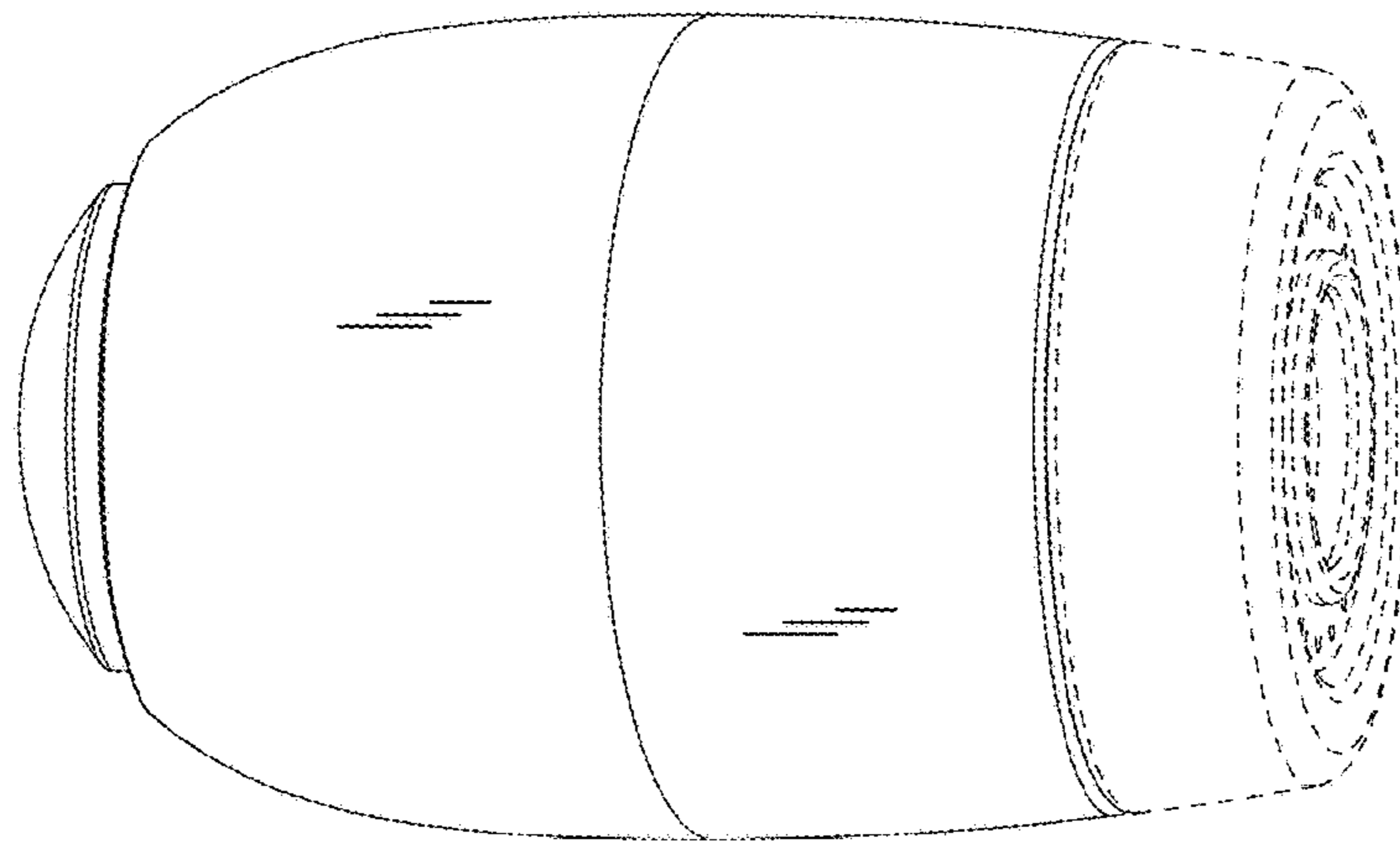


FIG.6

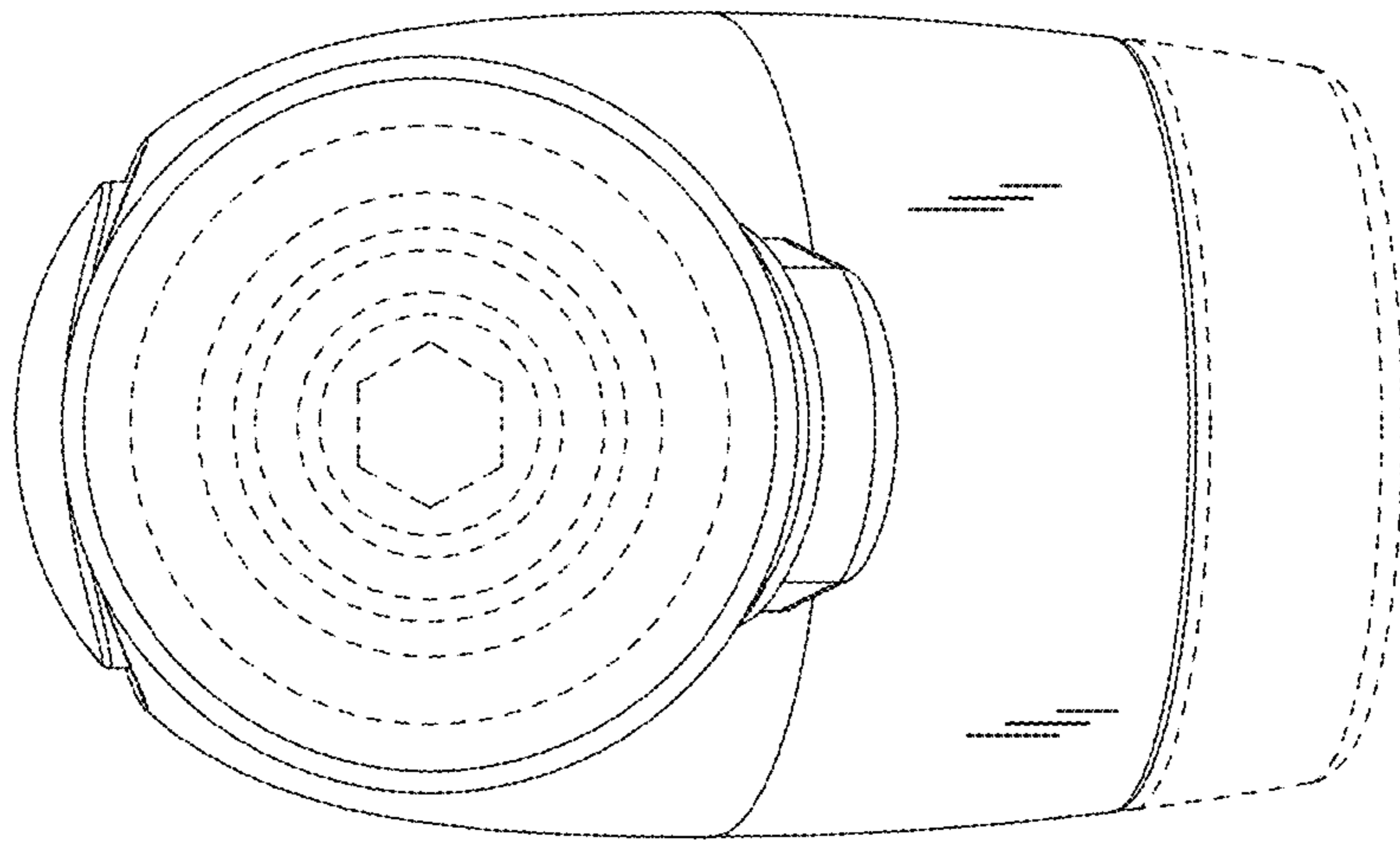


FIG. 7