



(12) **United States Design Patent**
Kremerman

(10) **Patent No.:** **US D805,600 S**
(45) **Date of Patent:** **** Dec. 19, 2017**

- (54) **DISTRIBUTION ADAPTER**
- (71) Applicant: **Elliot Kremerman**, Scotts Valley, CA (US)
- (72) Inventor: **Elliot Kremerman**, Scotts Valley, CA (US)
- (**) Term: **15 Years**
- (21) Appl. No.: **29/614,808**
- (22) Filed: **Aug. 23, 2017**
- (51) **LOC (10) Cl.** **23-01**
- (52) **U.S. Cl.**
USPC **D23/207**
- (58) **Field of Classification Search**
USPC D23/207, 209; 203/81, 87
CPC B01D 5/0051; B01D 3/04; B01D 3/008;
B01D 3/14; B01D 3/32; B01D 5/006;
B01D 5/009
See application file for complete search history.

(56) **References Cited**

U.S. PATENT DOCUMENTS

D173,603 S *	12/1954	Atkinson	210/94
3,020,215 A *	2/1962	Weber	B01D 1/0017 202/197
3,271,935 A *	9/1966	Smith	B01D 5/0006 165/111
D247,248 S	2/1978	Durot	
D248,485 S *	7/1978	Strauss	D23/209
4,159,817 A	7/1979	Ikawa	
D293,128 S	12/1987	Karamian	
D293,368 S	12/1987	Karamian	
D306,338 S	2/1990	Rempe	
D314,225 S	1/1991	Palmer	
D316,739 S	5/1991	Erickson	
D339,862 S	9/1993	Weber	
5,354,428 A *	10/1994	Clark	B01D 1/02 159/DIG. 19
D358,448 S *	5/1995	Paoli	D23/200

5,411,707 A *	5/1995	Hiatt	B01D 3/10 422/68.1
D412,550 S	8/1999	Bell	
D425,174 S	5/2000	Swancara	
D432,203 S *	10/2000	Edwards	D23/207
D455,813 S	4/2002	Mount	
D458,340 S	6/2002	Lindahl	
6,551,464 B1 *	4/2003	Kimel	B01D 3/04 202/153
D634,397 S *	3/2011	Lautzenheiser	D23/207
D706,386 S	6/2014	Ambler	
D727,460 S	4/2015	Collins	
D731,615 S	6/2015	Ambler	
9,138,657 B1 *	9/2015	Wiederin	B01D 3/008
D775,310 S	12/2016	Kremerman	

(Continued)

Primary Examiner — Robin V Webster

(74) *Attorney, Agent, or Firm* — Michael J. Feigin, Esq.;
Feigin and Fridman

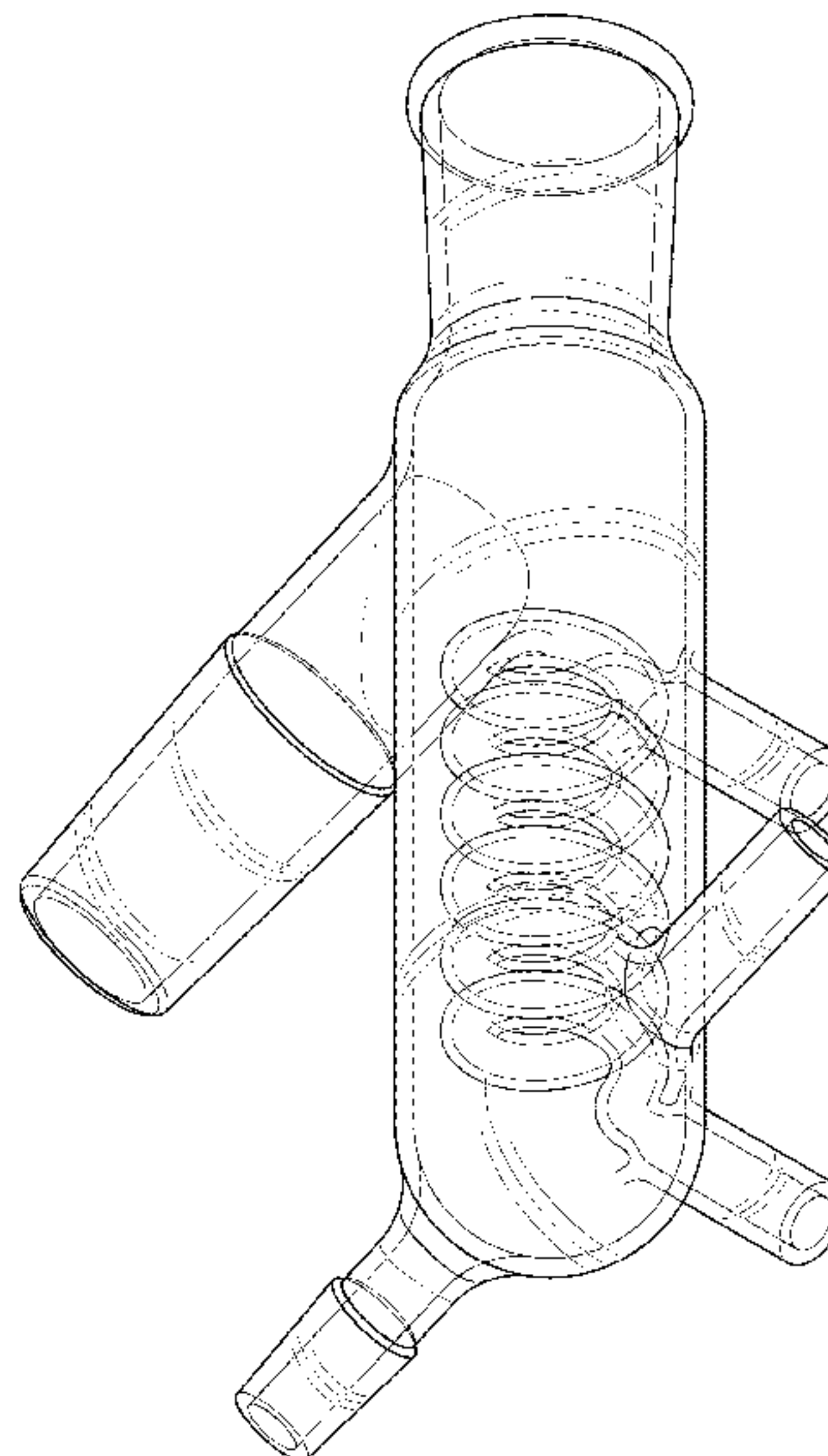
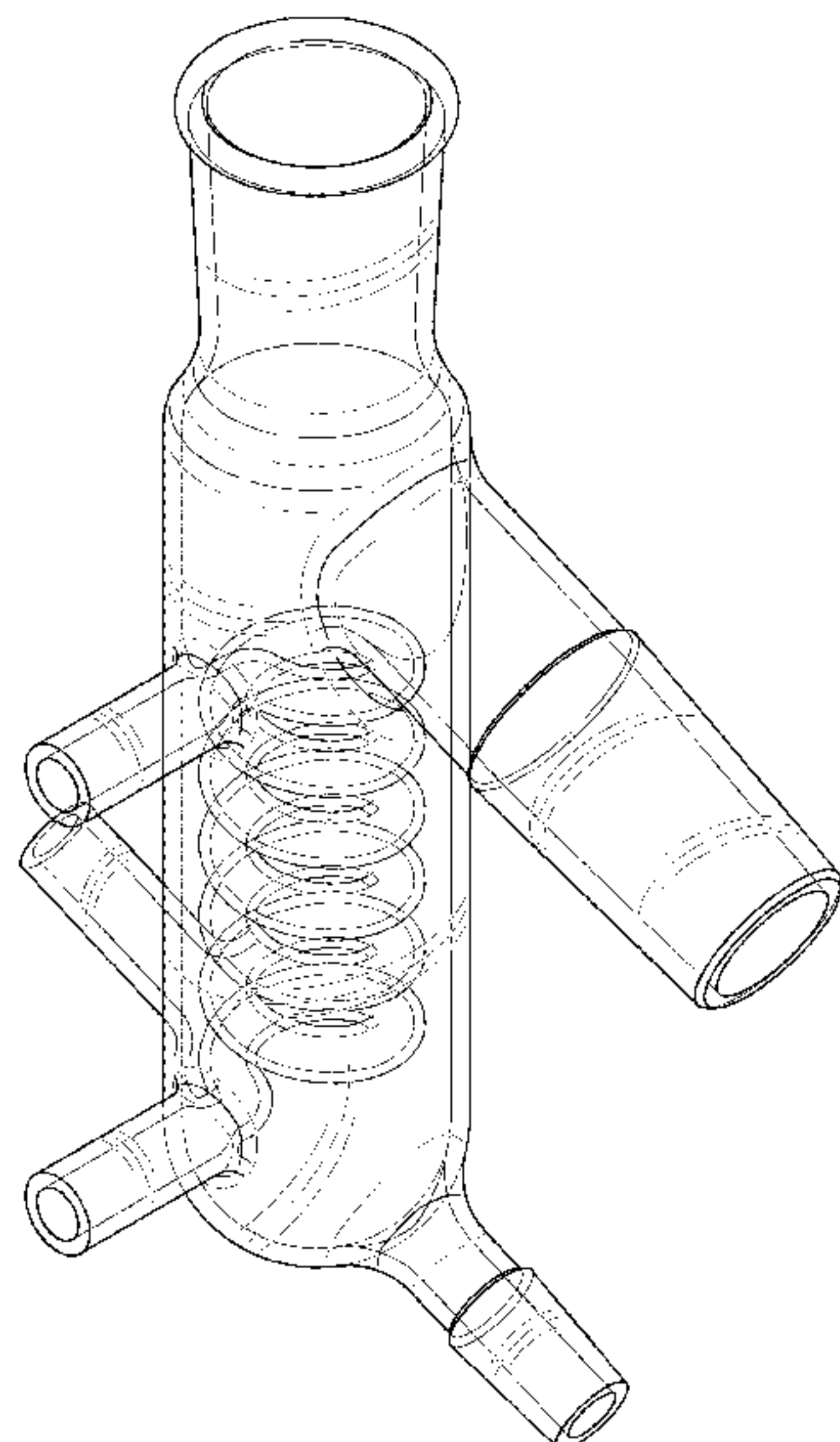
(57) **CLAIM**

The ornamental design for a distribution adapter, as shown and described.

DESCRIPTION

FIG. 1 shows a top and side perspective view of a distribution adapter.
 FIG. 2 shows a bottom and reverse side perspective view thereof.
 FIG. 3 shows a front side elevation view thereof.
 FIG. 4 shows a rear side elevation view thereof.
 FIG. 5 shows a left side elevation view thereof.
 FIG. 6 shows a right side elevation view thereof.
 FIG. 7 shows a top plan view thereof.
 FIG. 8 shows a bottom plan view thereof.
 FIG. 9 shows a front side cutaway view along section line 9-9 of FIG. 5; and,
 FIG. 10 shows a right side cutaway view along section line 10-10 of FIG. 4.

1 Claim, 9 Drawing Sheets



(56)

References Cited

U.S. PATENT DOCUMENTS

D776,238 S	1/2017	Kremerman	
D780,286 S	2/2017	Ausner	
D787,630 S *	5/2017	Lipkens	D23/207
D790,033 S	6/2017	Kremerman	

* cited by examiner

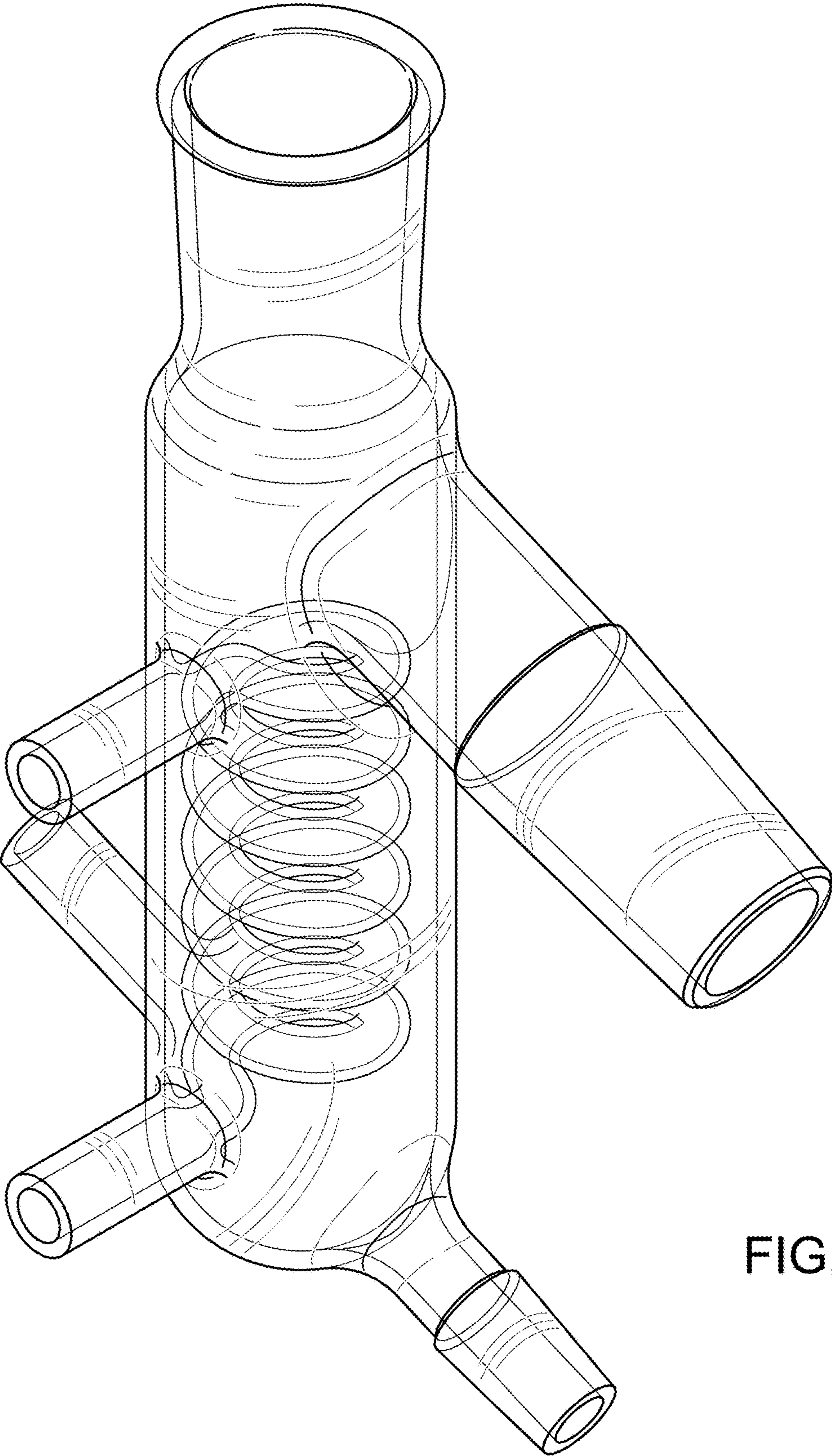


FIG. 1

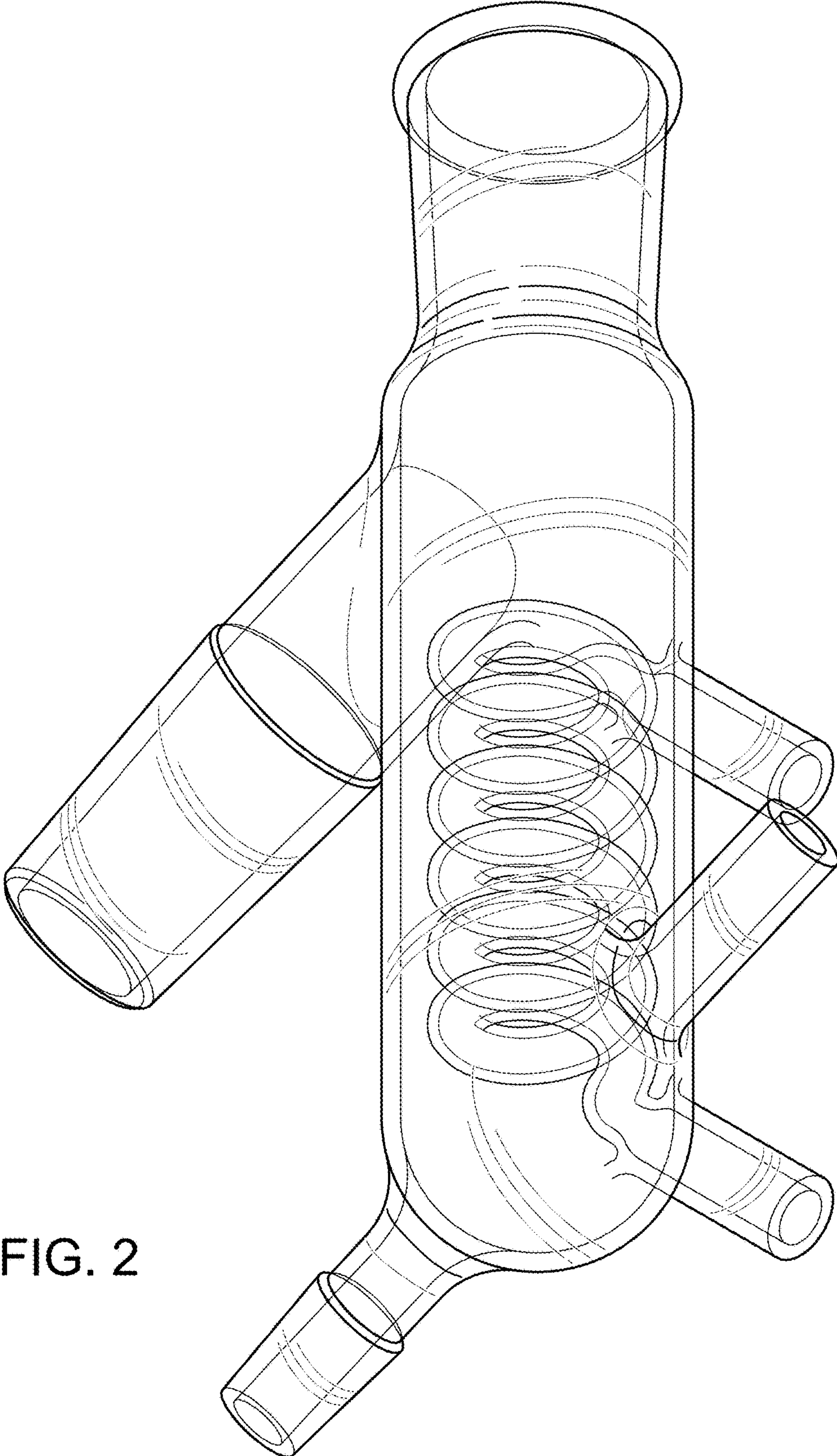


FIG. 2

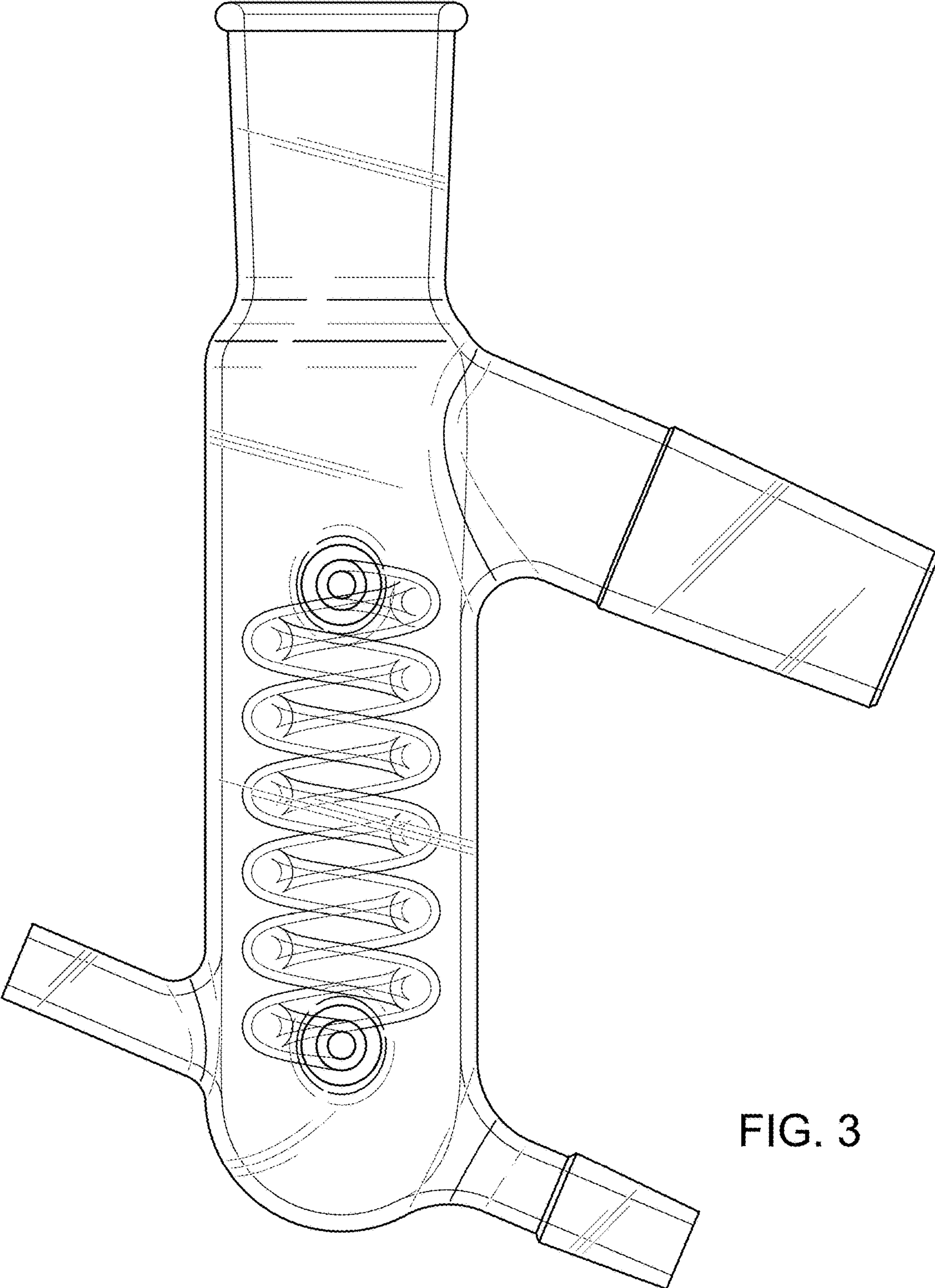
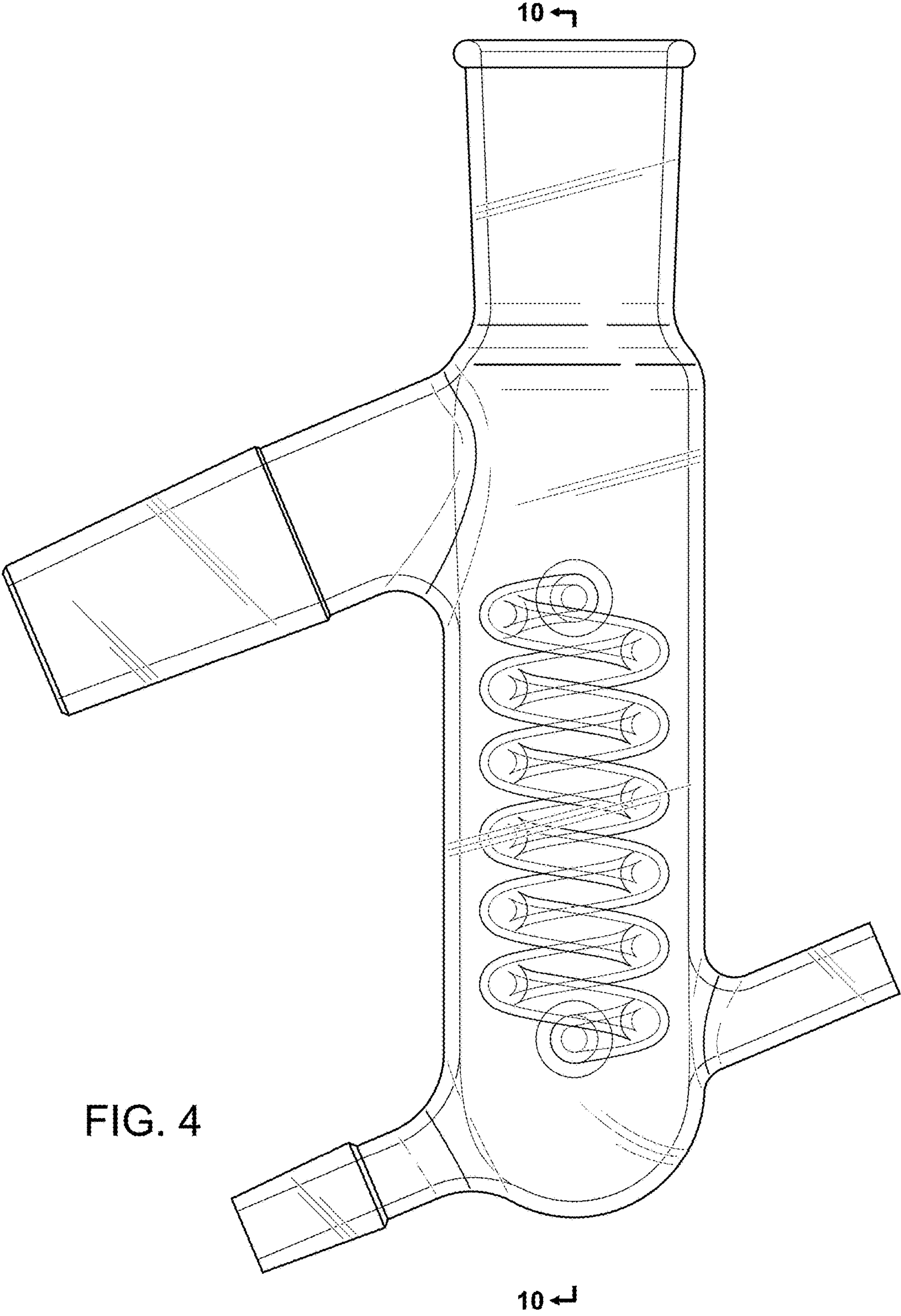


FIG. 3



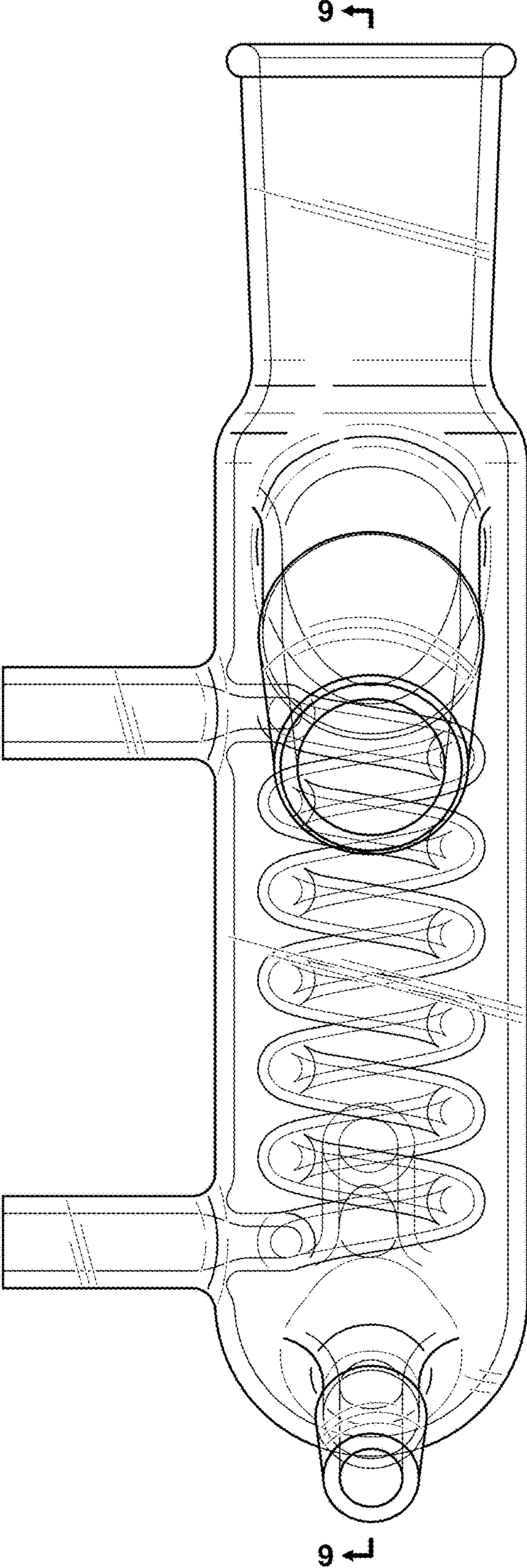


FIG. 5

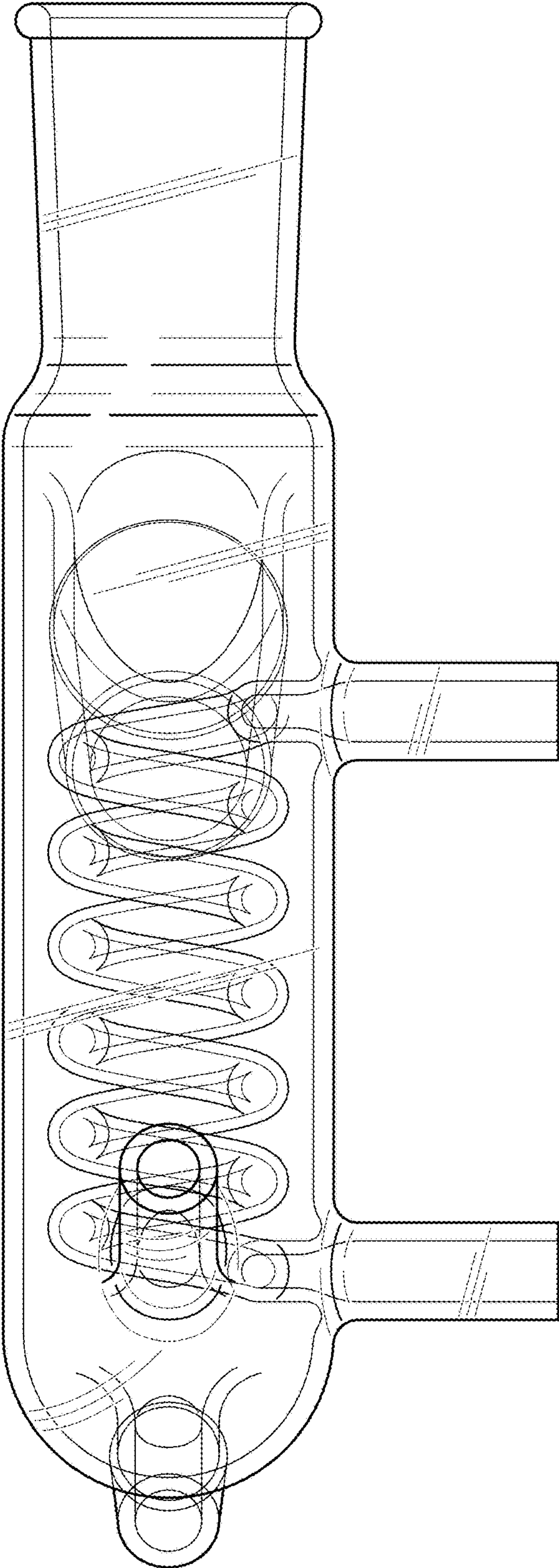


FIG. 6

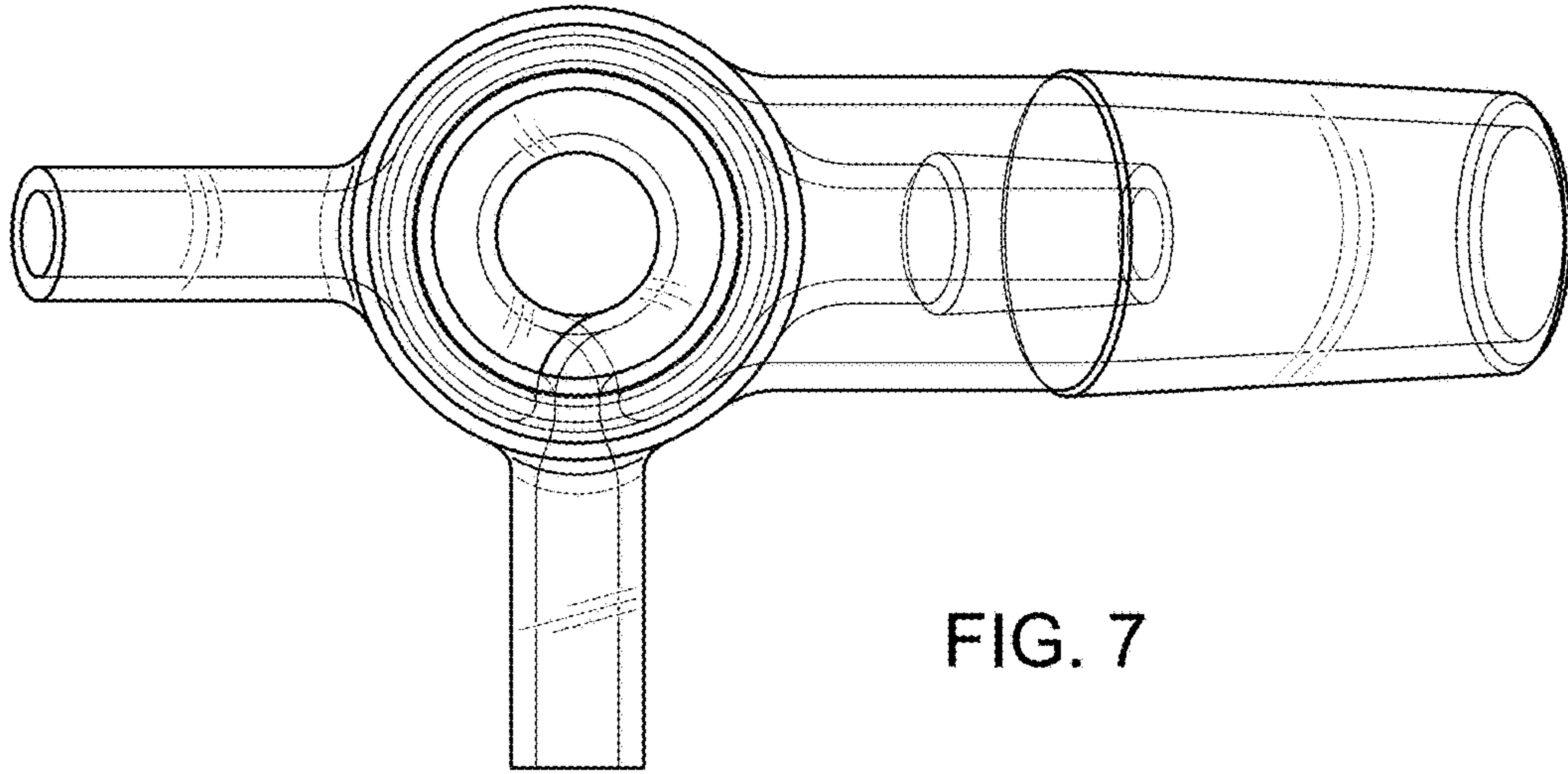


FIG. 7

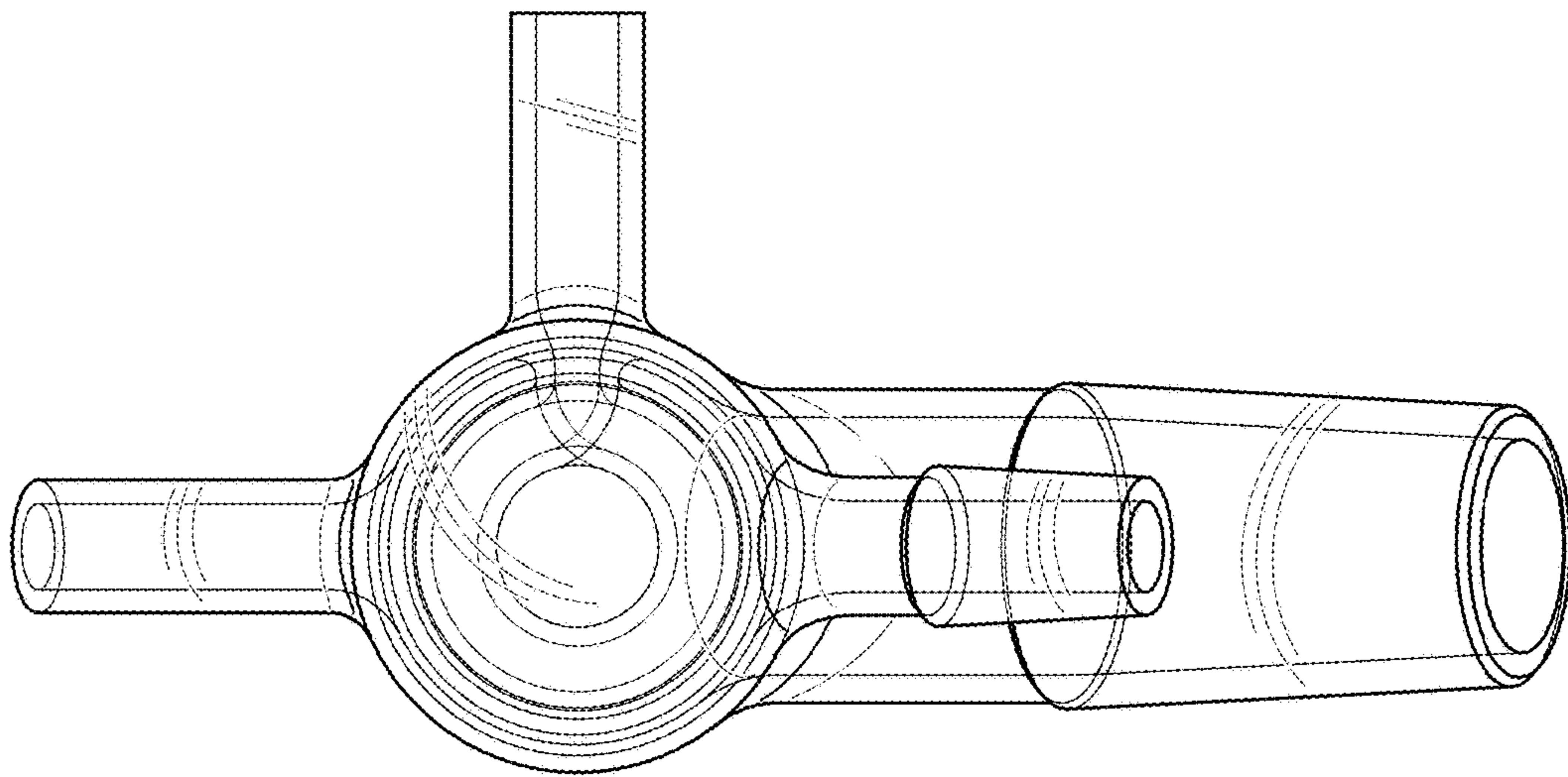


FIG. 8

8/9

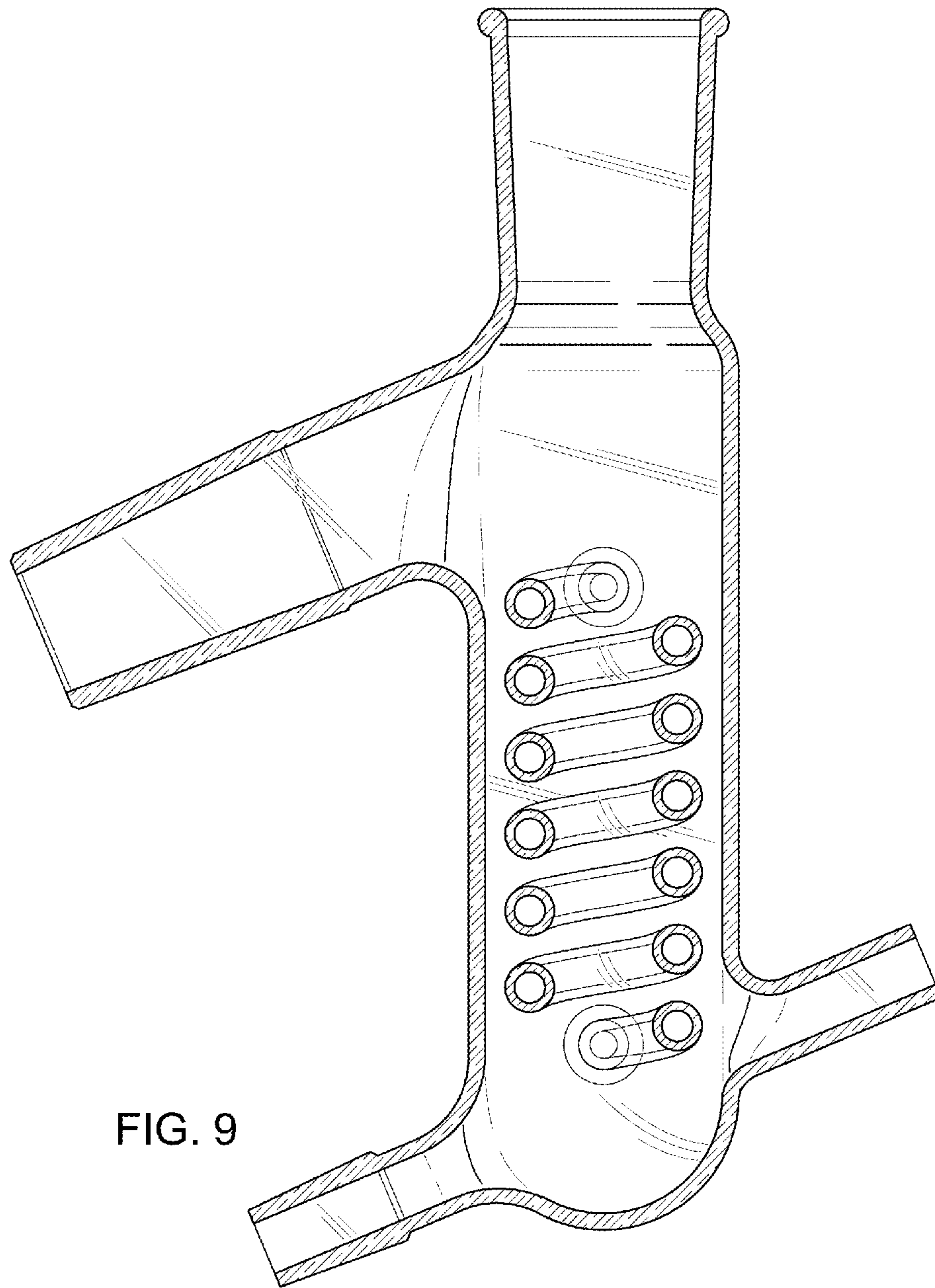


FIG. 9

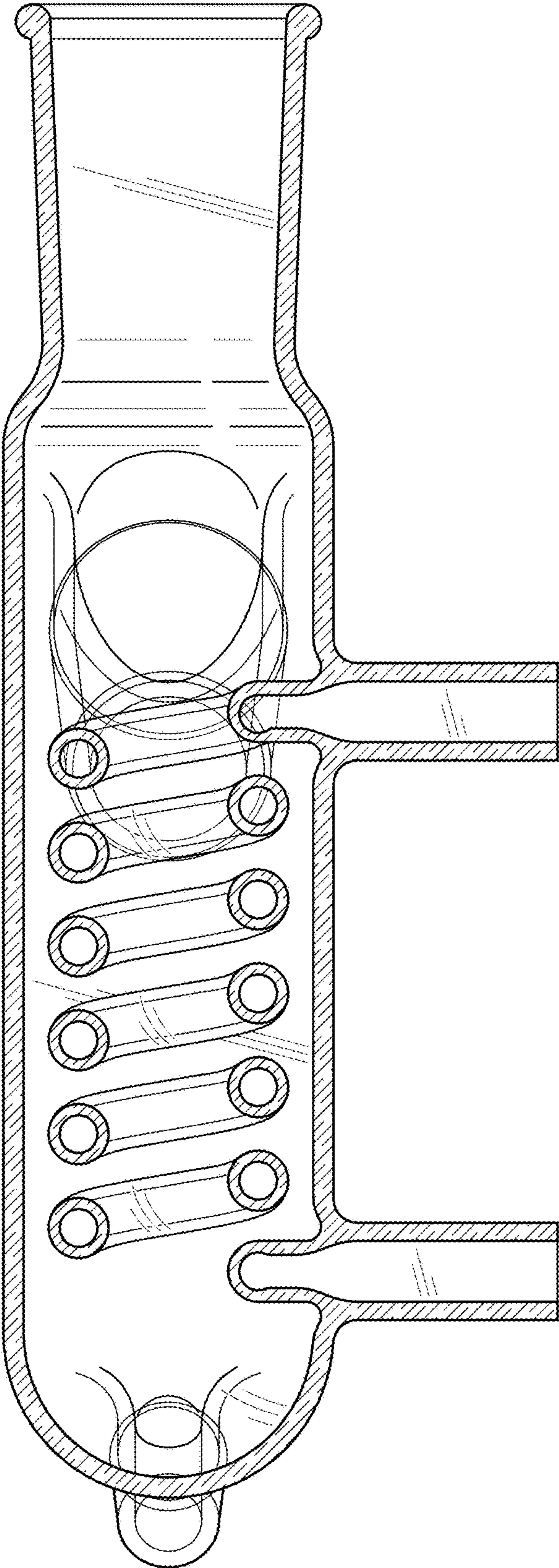


FIG. 10