



US00D805599S

(12) **United States Design Patent**
Kremerman

(10) **Patent No.:** **US D805,599 S**

(45) **Date of Patent:** **** Dec. 19, 2017**

(54) **DISTILLATION CHAMBER**

(71) Applicant: **Elliot Kremerman**, Scotts Valley, CA
(US)

(72) Inventor: **Elliot Kremerman**, Scotts Valley, CA
(US)

(**) Term: **15 Years**

(21) Appl. No.: **29/612,760**

(22) Filed: **Aug. 3, 2017**

(51) **LOC (10) Cl.** **23-01**

(52) **U.S. Cl.**
USPC **D23/207**

(58) **Field of Classification Search**
USPC D23/207, 209; 203/81, 87
CPC B01D 5/0051; B01D 3/04; B01D 3/008;
B01D 3/14; B01D 3/32; B01D 5/006;
B01D 5/009
See application file for complete search history.

(56) **References Cited**

U.S. PATENT DOCUMENTS

D936,467	10/1909	Maurer	
2,383,377 A	8/1945	Evans	
2,535,856 A	12/1950	Luertzing	
D173,603 S *	12/1954	Atkinson	210/94
2,582,969 A	1/1955	Dinsmore	
2,701,789 A	2/1955	White	
3,020,215 A *	2/1962	Weber	B01D 1/0017 202/197
3,271,935 A *	9/1966	Smith	B01D 5/0006 165/111
3,334,025 A	8/1967	Reid	
3,607,662 A	9/1971	Glover	
4,065,261 A	12/1977	Fukada	
D248,133 S	6/1978	Shames	
D248,134 S	6/1978	Shames	
D248,485 S *	7/1978	Strauss	D23/209
4,316,294 A	2/1982	Baldwin	

4,346,059 A	8/1982	Spector	
4,349,042 A	9/1982	Shimizu	
4,370,543 A	1/1983	Nemeth	
4,597,404 A	7/1986	Van	
4,765,003 A	8/1988	Chang	
4,770,746 A	9/1988	Mayo	
5,354,428 A *	10/1994	Clark	B01D 1/02 159/DIG. 19
D358,448 S *	5/1995	Paoli	D23/200
5,411,707 A *	5/1995	Hiatt	B01D 3/10 422/68.1
D364,917 S	12/1995	Wolf	
D392,371 S	3/1998	Holcombe	
D402,355 S	12/1998	Bahar	

(Continued)

Primary Examiner — Robin V Webster

(74) *Attorney, Agent, or Firm* — Michael J. Feigin, Esq.;
Feigin and Fridman

(57) **CLAIM**

The ornamental design for a distillation chamber, as shown and described.

DESCRIPTION

FIG. 1 shows a top and side perspective view of a distillation chamber.

FIG. 2 shows a bottom and reverse side perspective view thereof.

FIG. 3 shows a front view, the reverse side being a mirror image thereof.

FIG. 4 shows a side view thereof.

FIG. 5 shows a reverse side view thereof.

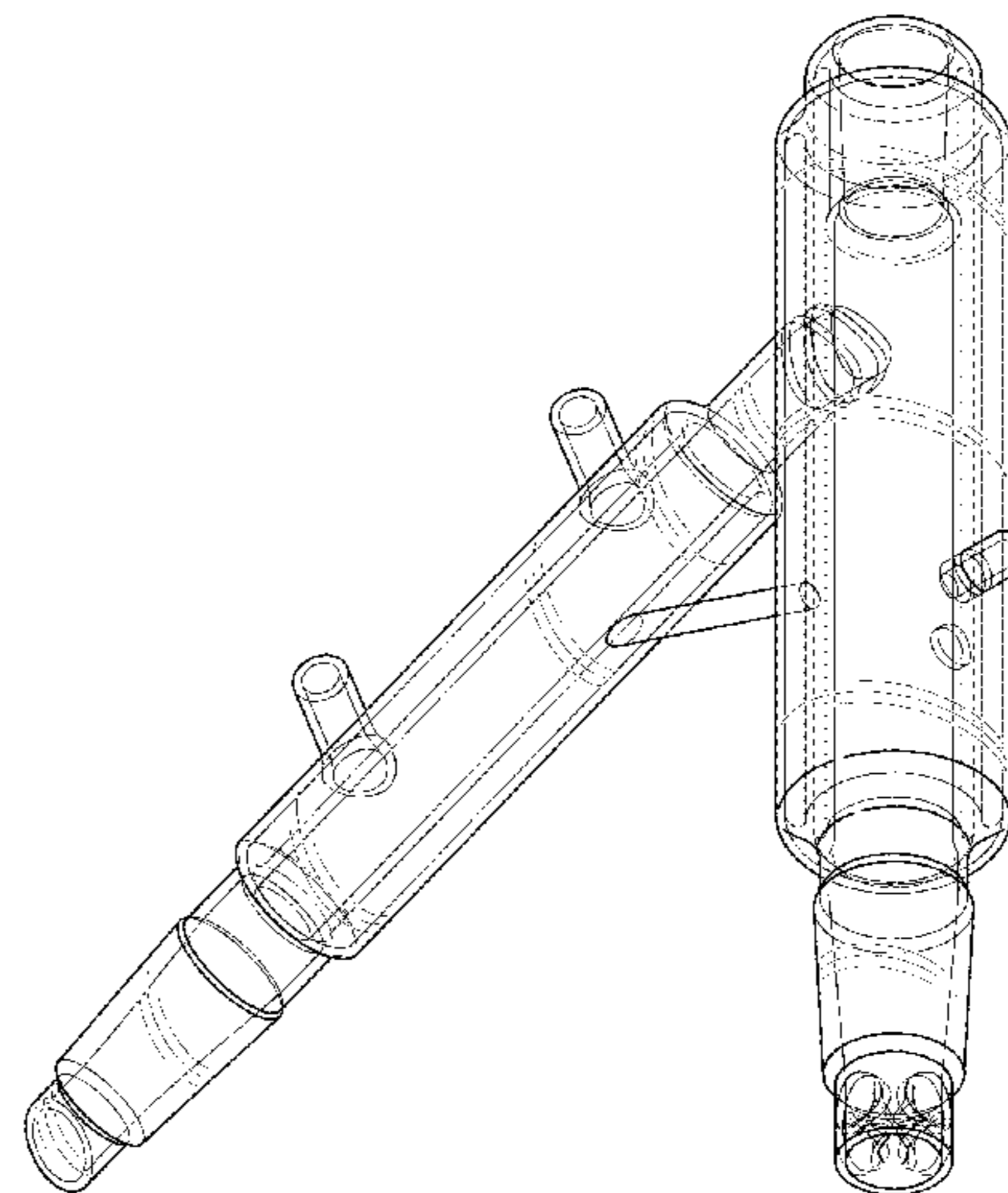
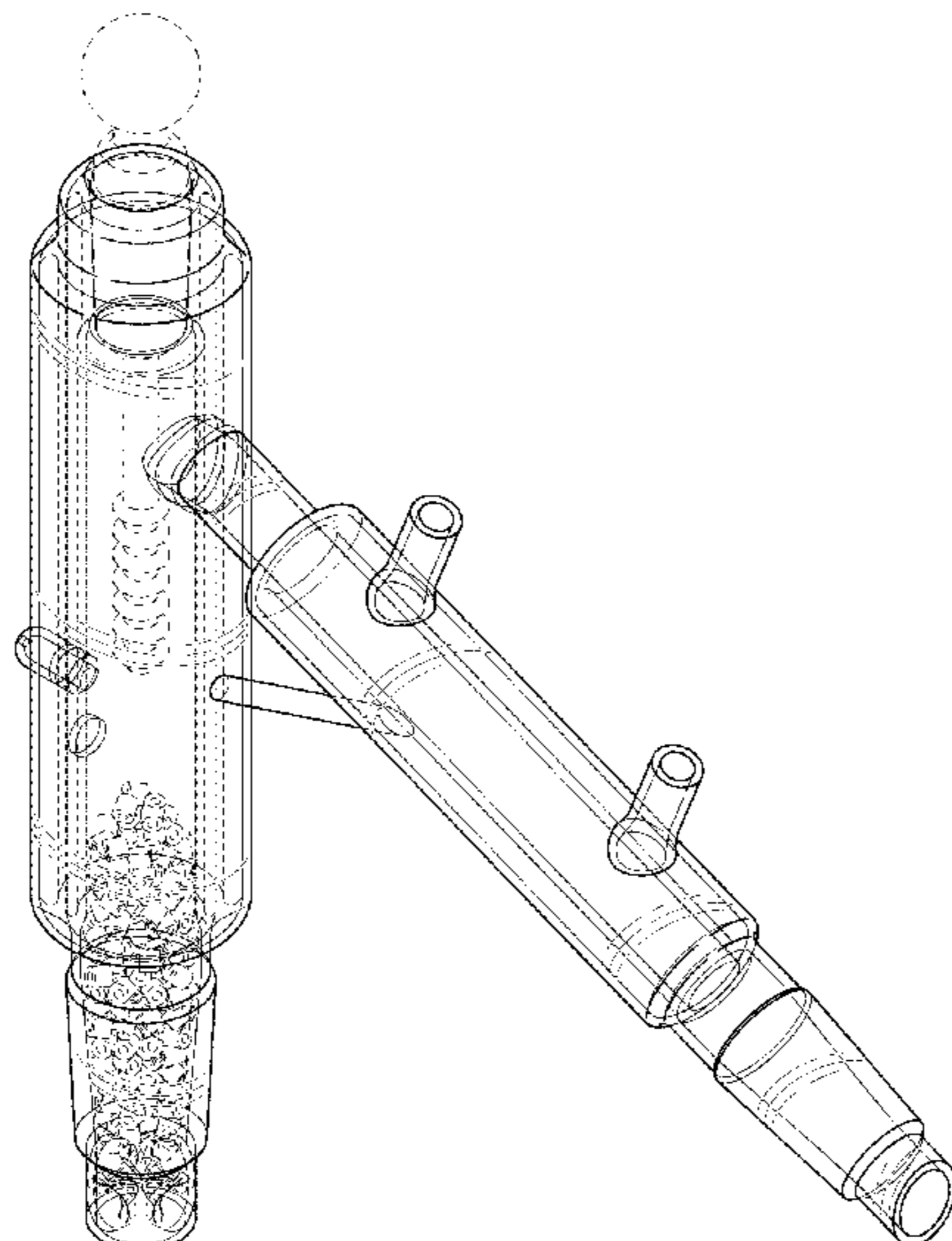
FIG. 6 shows a top plan view thereof.

FIG. 7 shows a bottom plan view thereof; and,

FIG. 8 shows a cutaway view of the front along section line 8-8 of FIG. 6.

The broken line showing of inner portions in FIG. 1 is included for the purpose of illustrating and forms no part of the claimed design.

1 Claim, 6 Drawing Sheets



(56)

References Cited

U.S. PATENT DOCUMENTS

D409,736 S 5/1999 Koehn
D432,203 S * 10/2000 Edwards D23/207
D463,851 S 10/2002 Eastman
D469,167 S 1/2003 Eastman
6,551,464 B1 * 4/2003 Kimel B01D 3/04
202/153
D550,819 S 9/2007 Seehoff
D597,181 S 7/2009 Jones
D604,809 S 11/2009 Mannella
D634,397 S * 3/2011 Lautzenheiser D23/207
D673,247 S 12/2012 Eylon
D680,628 S 4/2013 Houck
D683,436 S 5/2013 Feliciano
D695,066 S 12/2013 Nakajima
D728,078 S 4/2015 Scott
D730,493 S 5/2015 Sehl
9,138,657 B1 * 9/2015 Wiederin B01D 3/008
D787,630 S * 5/2017 Lipkens D23/207
9,682,331 B2 6/2017 Kremerman

* cited by examiner

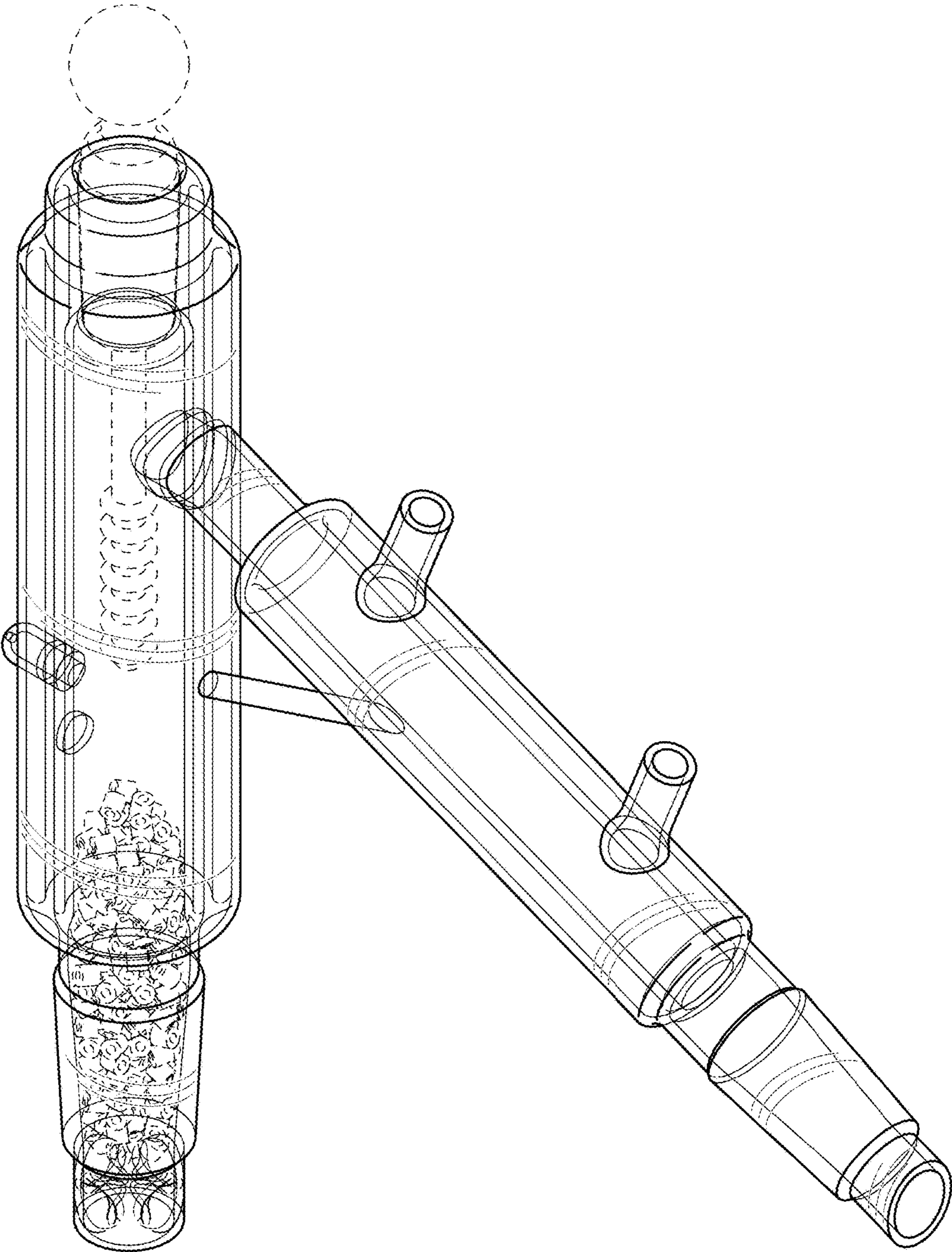


FIG. 1

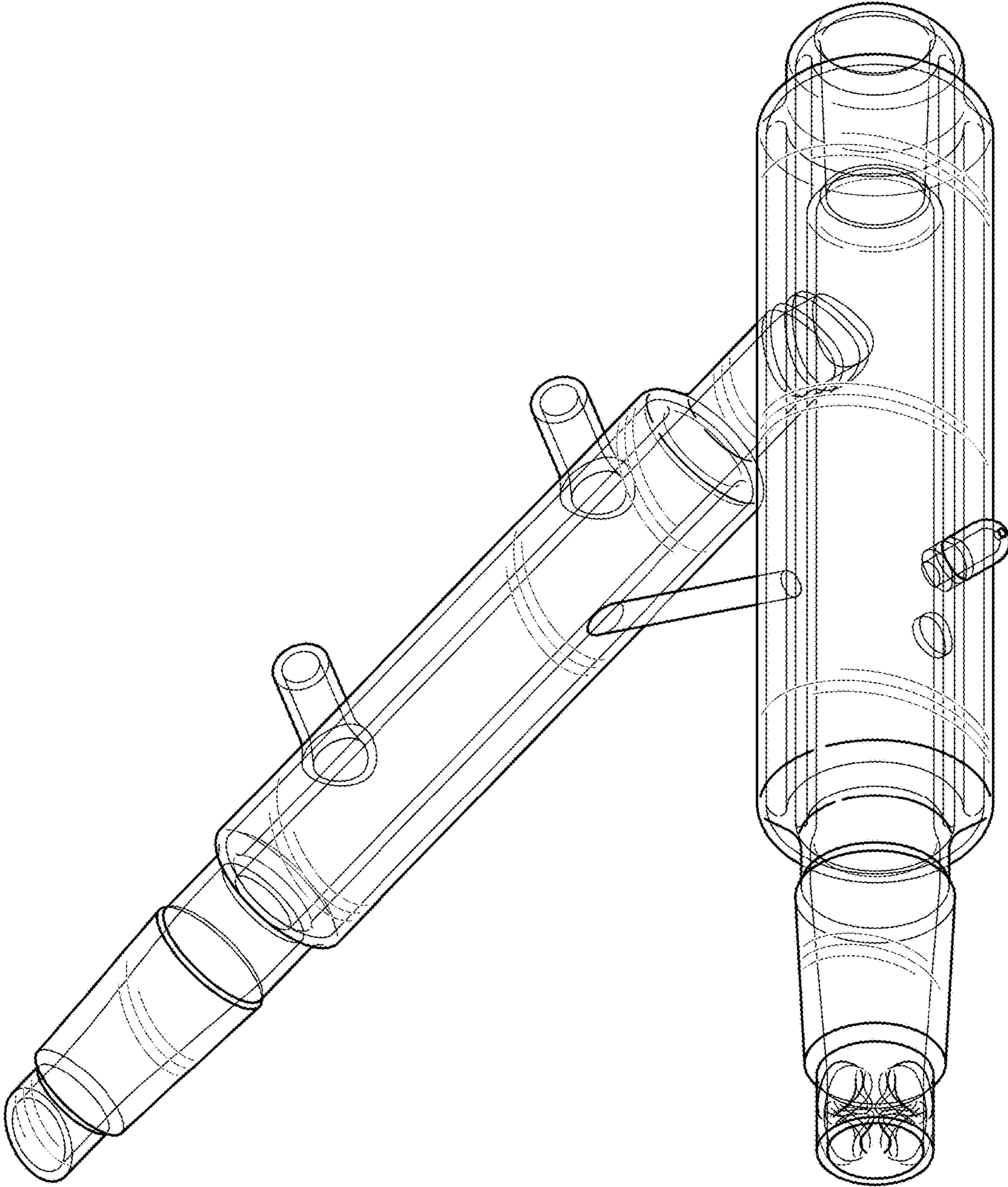


FIG. 2

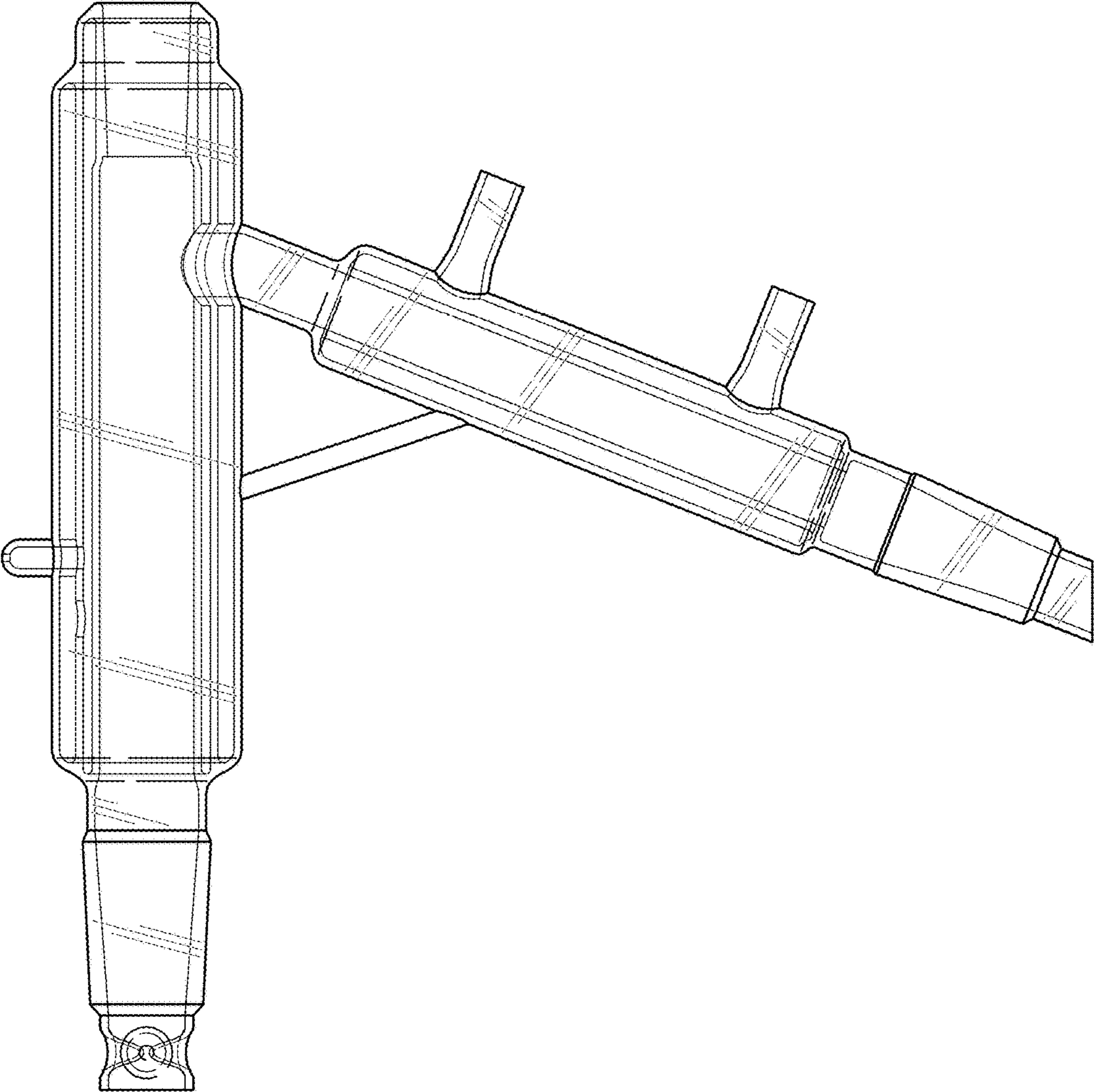


FIG. 3

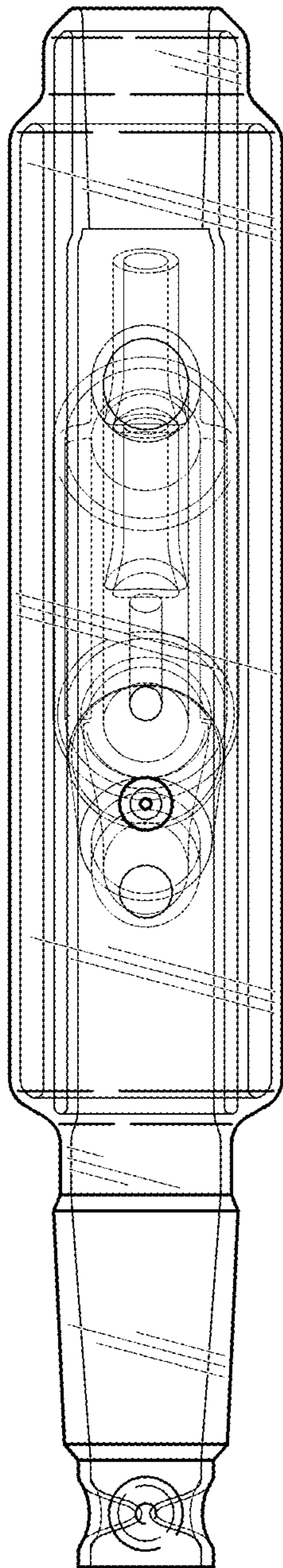


FIG. 4

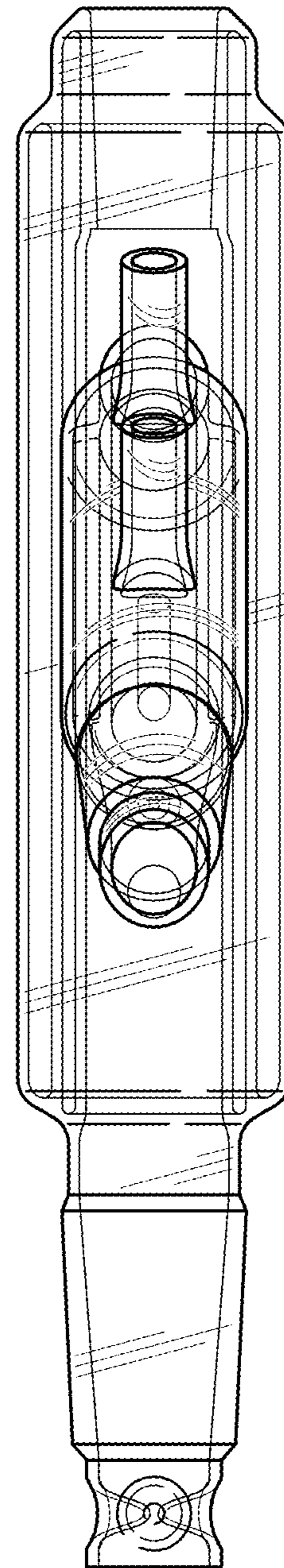


FIG. 5

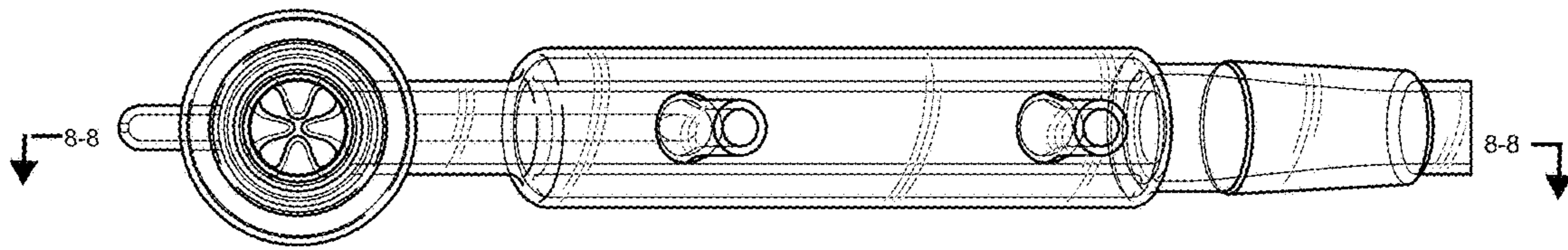


FIG. 6

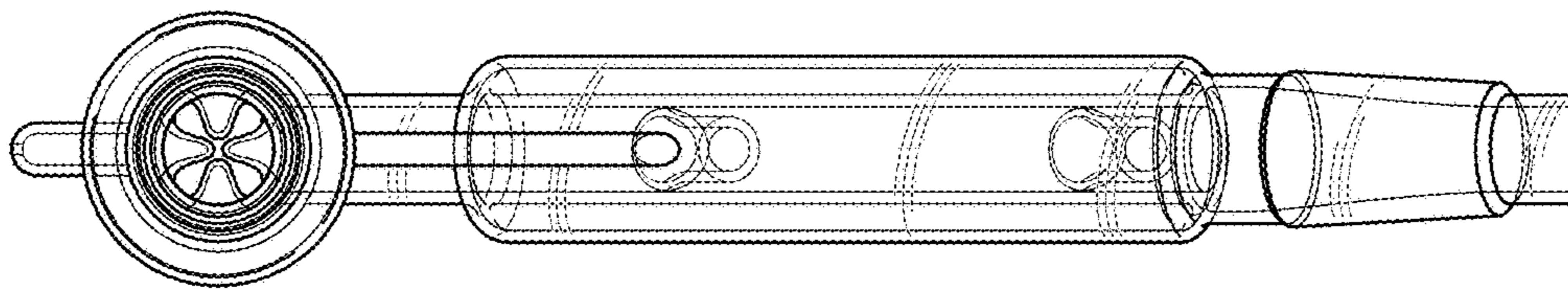


FIG. 7

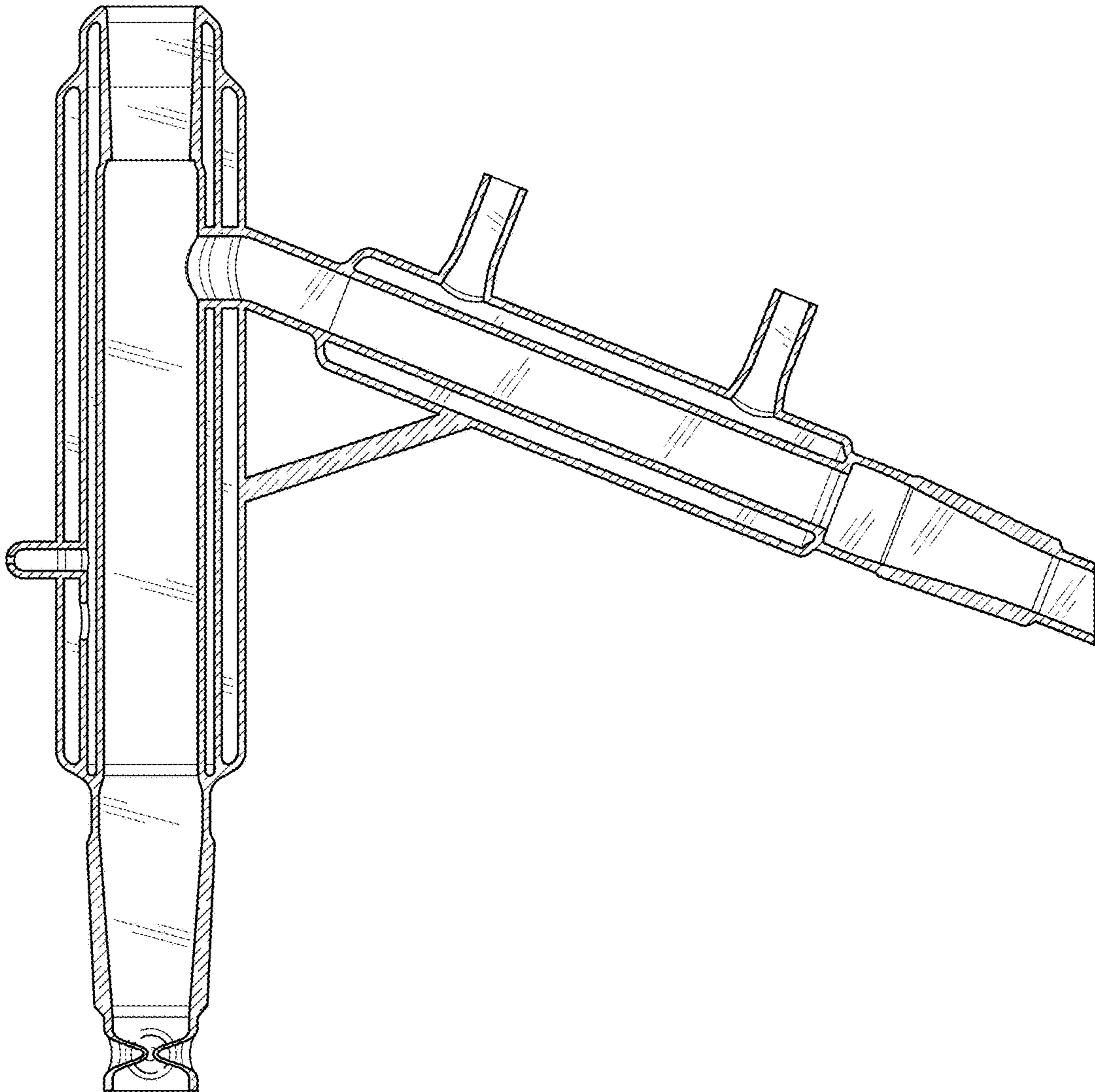


FIG. 8