

US00D805597S

(12) **United States Design Patent**  
**Kasper et al.**

(10) **Patent No.:** **US D805,597 S**

(45) **Date of Patent:** **\*\* Dec. 19, 2017**

(54) **MULTI-FUNCTION ANCHOR POINT FOR INFLATABLE CRAFT**

(71) Applicant: **David Lee Kasper and Rachael Batcheler Kasper**, Dexter, MI (US)

(72) Inventors: **David Lee Kasper**, Dexter, MI (US);  
**Rachael Batcheler Kasper**, Dexter, MI (US)

(73) Assignees: **David Lee Kasper**, Dexter, MI (US);  
**Rachael Batcheler Kasper**, Dexter, MI (US)

(\*\*) Term: **15 Years**

(21) Appl. No.: **29/588,920**

(22) Filed: **Dec. 23, 2016**

(51) **LOC (10) Cl.** ..... **21-02**

(52) **U.S. Cl.**  
USPC ..... **D21/803; D12/317**

(58) **Field of Classification Search**  
USPC ..... D12/300–318; D8/394, 396;  
D21/801–810

CPC .. B63H 16/04; B63H 16/06; B63H 2016/043;  
B63H 2016/046; B63H 2016/063; B63H  
2016/067; B63H 2016/073

See application file for complete search history.

(56) **References Cited**

**U.S. PATENT DOCUMENTS**

D393,683 S \* 4/1998 Song ..... D12/316  
5,816,873 A \* 10/1998 Pestel ..... B63B 7/085  
114/345

6,164,237 A \* 12/2000 Coryell ..... B63B 7/08  
114/345

6,575,798 B2 \* 6/2003 Maurel ..... B63B 7/085  
114/343

6,595,816 B2 \* 7/2003 Jouglu ..... B63B 7/085  
440/104

6,925,955 B1 \* 8/2005 Brooks ..... B63B 7/085  
114/345

8,393,288 B1 \* 3/2013 Ramsey ..... B63B 7/085  
114/345

\* cited by examiner

*Primary Examiner* — Cynthia M Chin

(74) *Attorney, Agent, or Firm* — Endurance Law Group  
PLC

(57) **CLAIM**

We claim the ornamental design for a multi-function anchor point for inflatable craft, as shown and described.

**DESCRIPTION**

FIG. 1 is perspective view of a multi-function anchor point for inflatable craft according to the present invention; FIG. 2 is a left-end view of the anchor point, the right-end view being a mirror-image thereof; FIG. 3 is another perspective view of the anchor point showing the generally flat bottom surface thereof; FIG. 4 is a top view of the anchor point; and, FIG. 5 is a front elevation of the anchor point, the rear elevation being a mirror-image thereof.

**1 Claim, 4 Drawing Sheets**

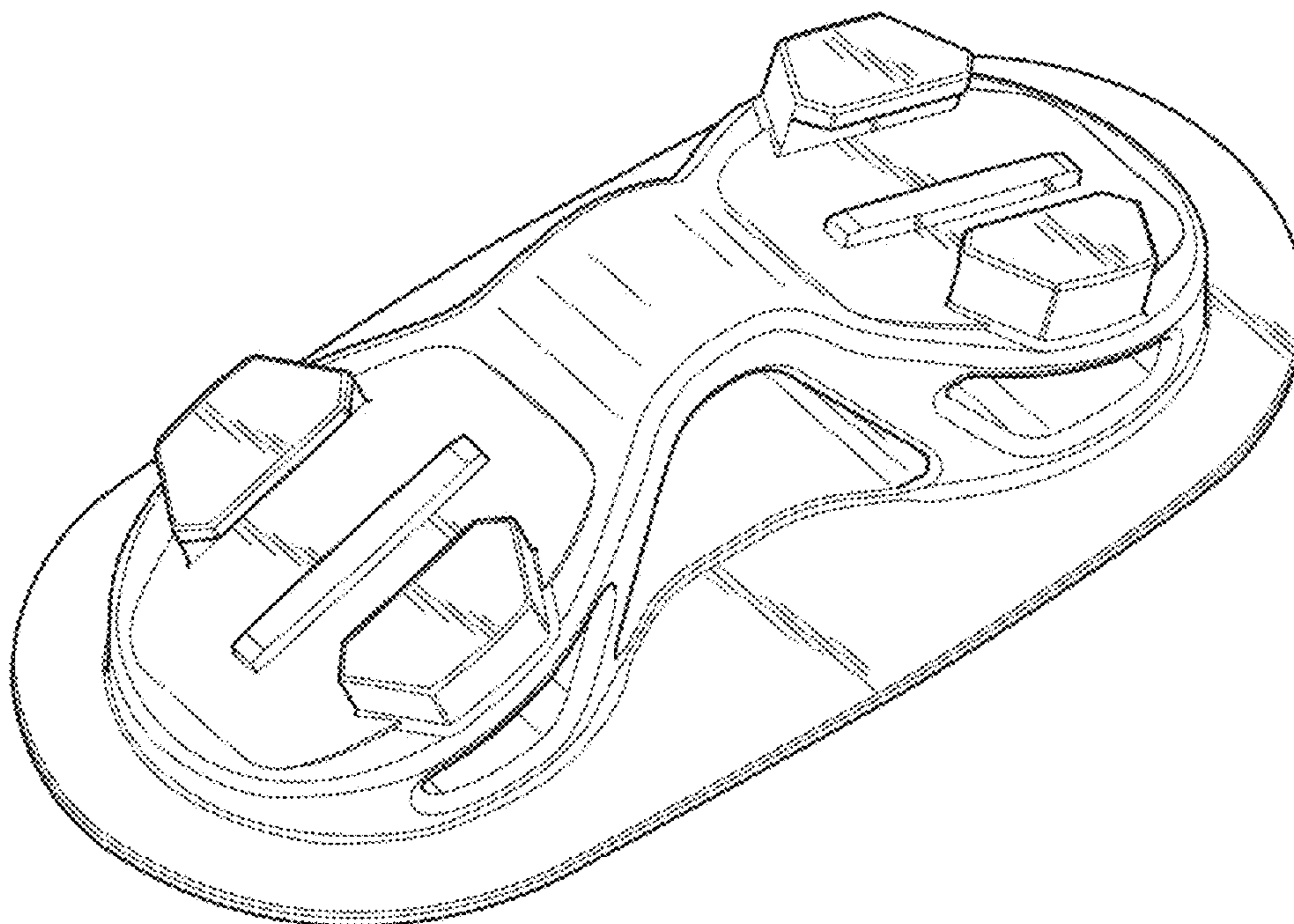


FIG. 1

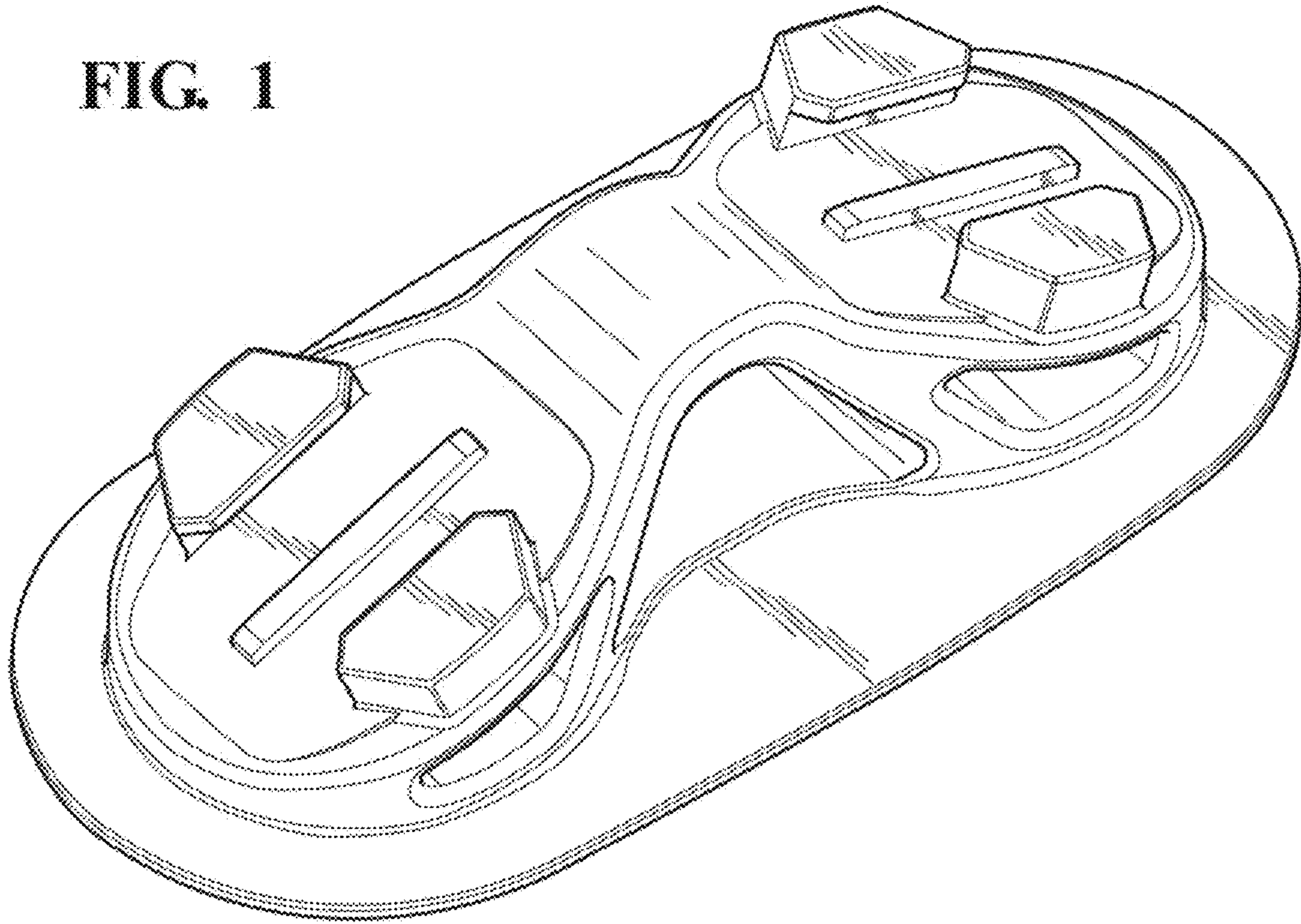
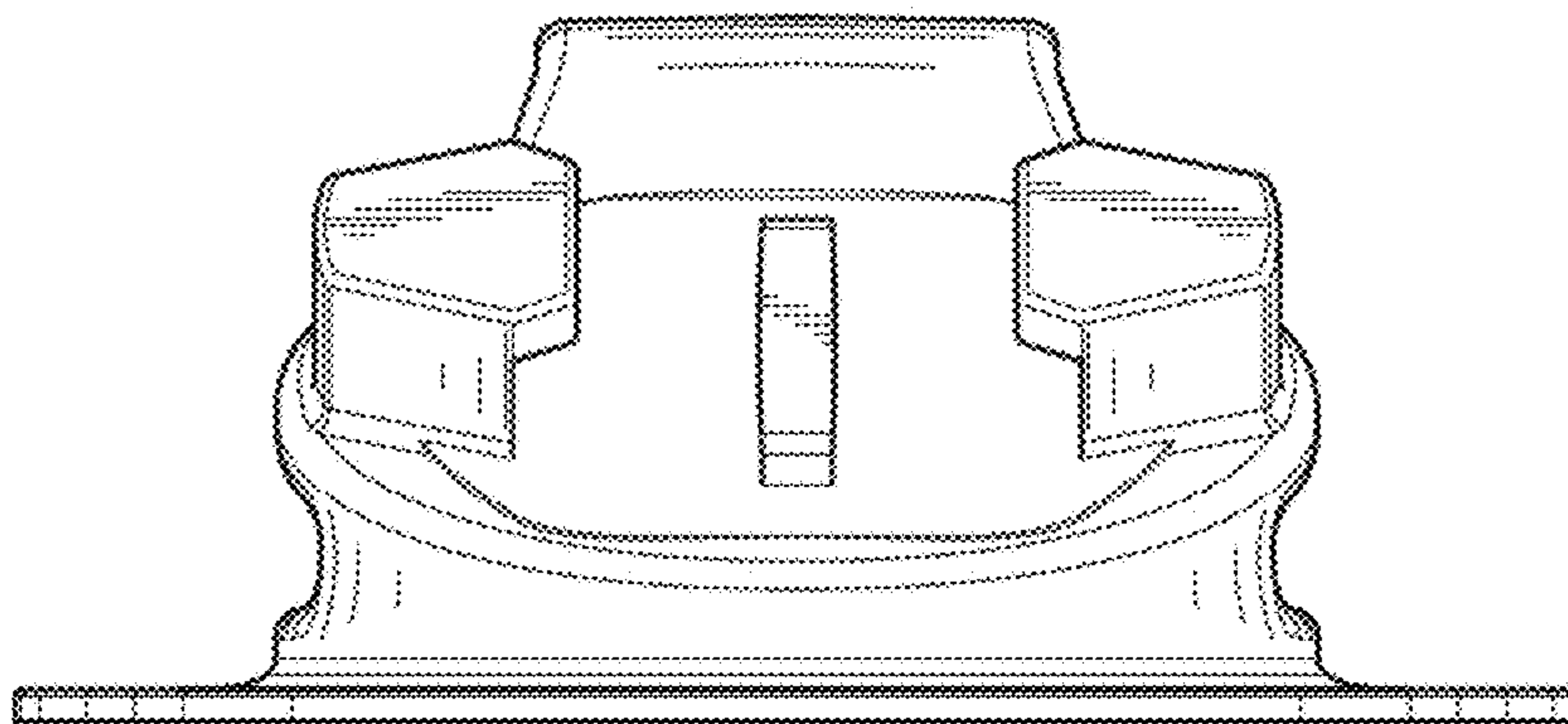


FIG. 3





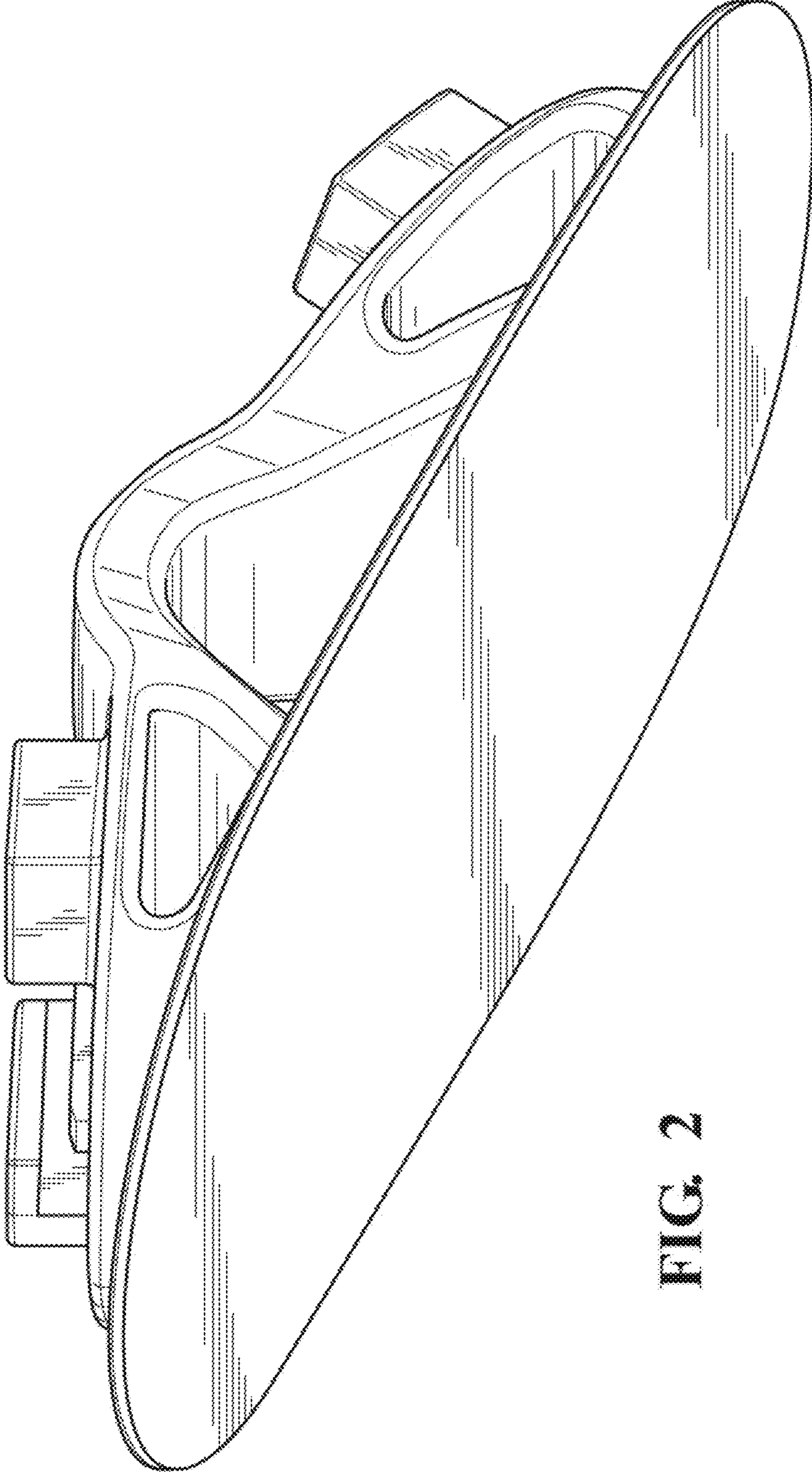


FIG. 2

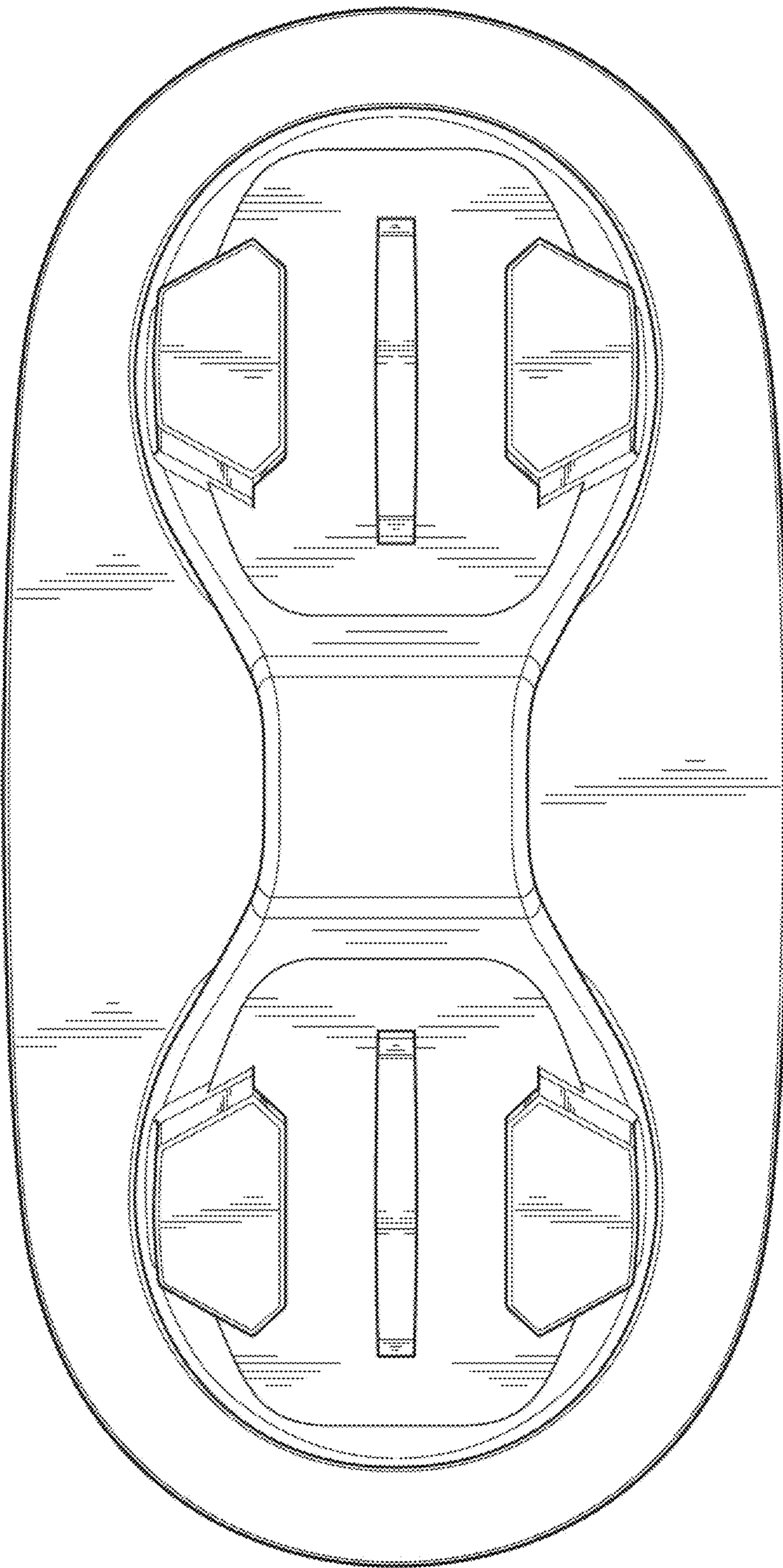


FIG. 4

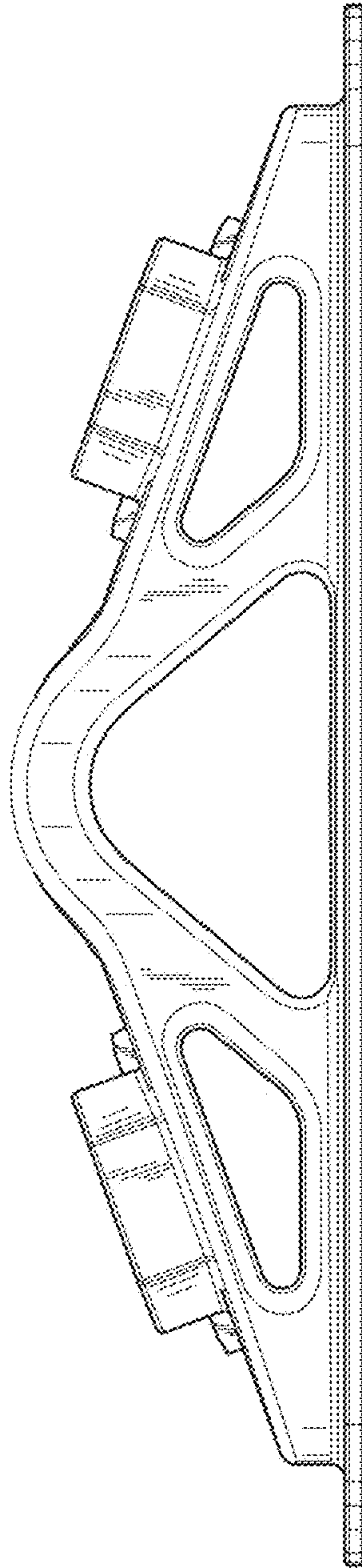


FIG. 5