



US00D805595S

(12) **United States Design Patent** (10) **Patent No.:** **US D805,595 S**  
**Chen** (45) **Date of Patent:** **\*\* Dec. 19, 2017**

(54) **SMALL TRAMPOLINE**  
(71) Applicant: **Samuel Chen**, Hong Kong (CN)  
(72) Inventor: **Samuel Chen**, Hong Kong (CN)  
(\*\*) Term: **15 Years**  
(21) Appl. No.: **29/594,891**  
(22) Filed: **Feb. 23, 2017**  
(51) **LOC (10) Cl.** ..... **21-02**  
(52) **U.S. Cl.**  
USPC ..... **D21/797**  
(58) **Field of Classification Search**  
USPC ..... 135/96, 117, 121; 182/139, 224;  
446/220; 463/7; 473/469, 482; 482/28,  
482/77, 147, 148, 27, 29; D21/668, 669,  
D21/797, 826, 834, 836, 839; D25/1, 22,  
D25/61; D30/112, 119; D6/329, 702;  
160/135  
CPC . A63B 5/11; A63B 71/022; A63B 2071/0063;  
A63B 2071/009  
See application file for complete search history.

D794,150 S \* 8/2017 Ji ..... D21/797  
D794,151 S \* 8/2017 Ji ..... D21/797  
2012/0077642 A1\* 3/2012 Chen ..... A63B 5/11  
482/27  
2013/0005537 A1\* 1/2013 Chen ..... A63B 5/11  
482/27  
2013/0045837 A1\* 2/2013 Hsiang ..... A63B 5/11  
482/27  
2016/0136473 A1\* 5/2016 Chen ..... A63B 5/11  
482/29  
2016/0296781 A1\* 10/2016 Andon ..... A63B 5/11  
\* cited by examiner

*Primary Examiner* — Cynthia Ramirez  
*Assistant Examiner* — Michael A Maharajh  
(74) *Attorney, Agent, or Firm* — Clement Cheng

(57) **CLAIM**

The ornamental design for a small trampoline, as shown and described.

**DESCRIPTION**

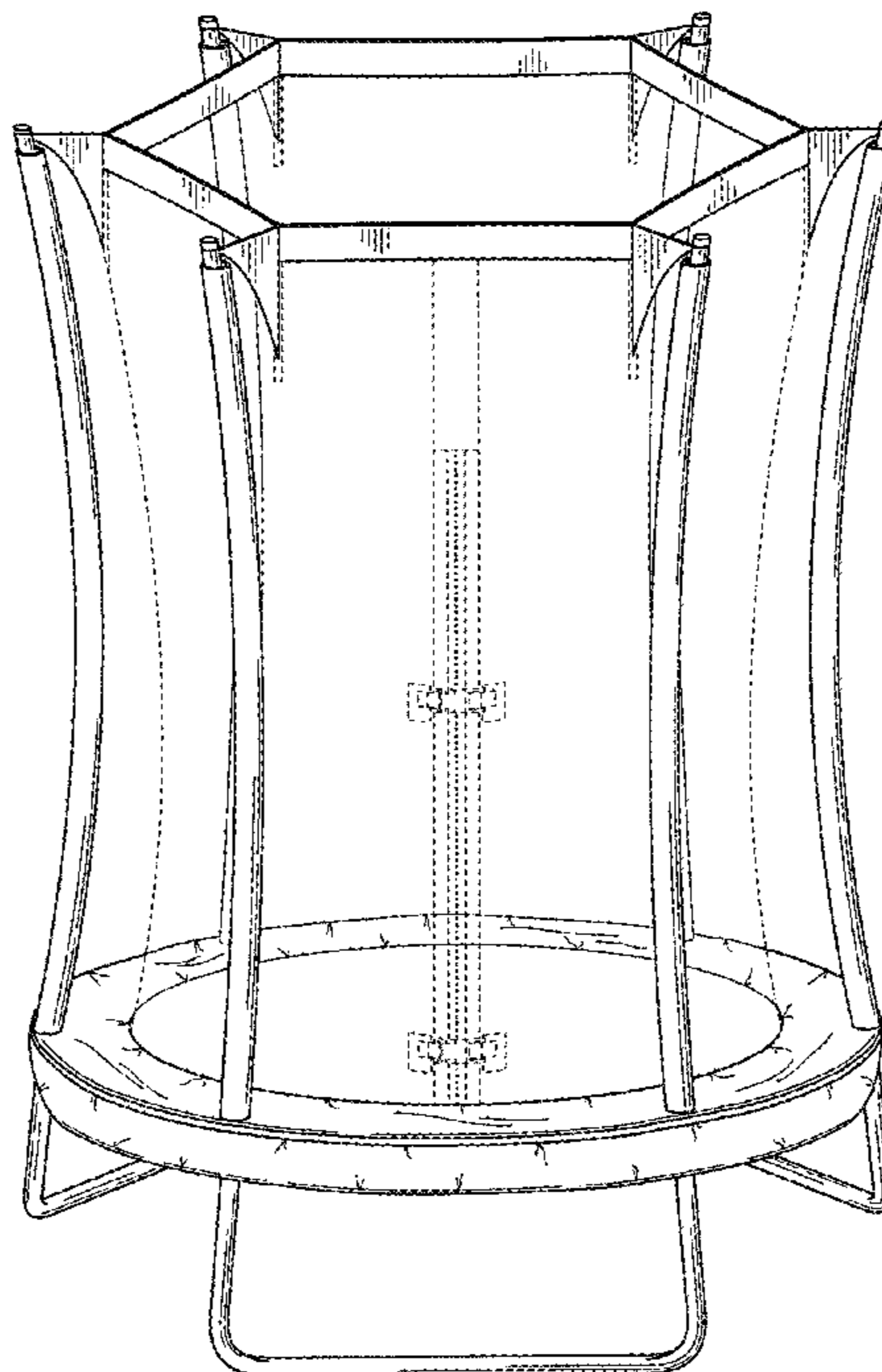
FIG. 1 is a perspective view of a small trampoline, showing my new design.  
FIG. 2 is a front view thereof.  
FIG. 3 is a rear view thereof.  
FIG. 4 is a side view thereof.  
FIG. 5 is a top view thereof; and,  
FIG. 6 is a bottom view thereof.  
The broken lines shown in the drawings are for the purpose of illustrating environmental structure and form no part of the claimed design.

**1 Claim, 6 Drawing Sheets**

(56) **References Cited**

**U.S. PATENT DOCUMENTS**

D570,947 S \* 6/2008 Horne ..... D21/797  
7,850,575 B1 \* 12/2010 Hsiang ..... A63B 71/022  
482/27  
D630,285 S \* 1/2011 Hsiang ..... D21/797  
D684,233 S \* 6/2013 Yang ..... D21/797  
9,084,908 B1 \* 7/2015 Chen ..... A63B 5/11  
D755,914 S \* 5/2016 Andon ..... D21/797  
D785,117 S \* 4/2017 Chen ..... D21/797



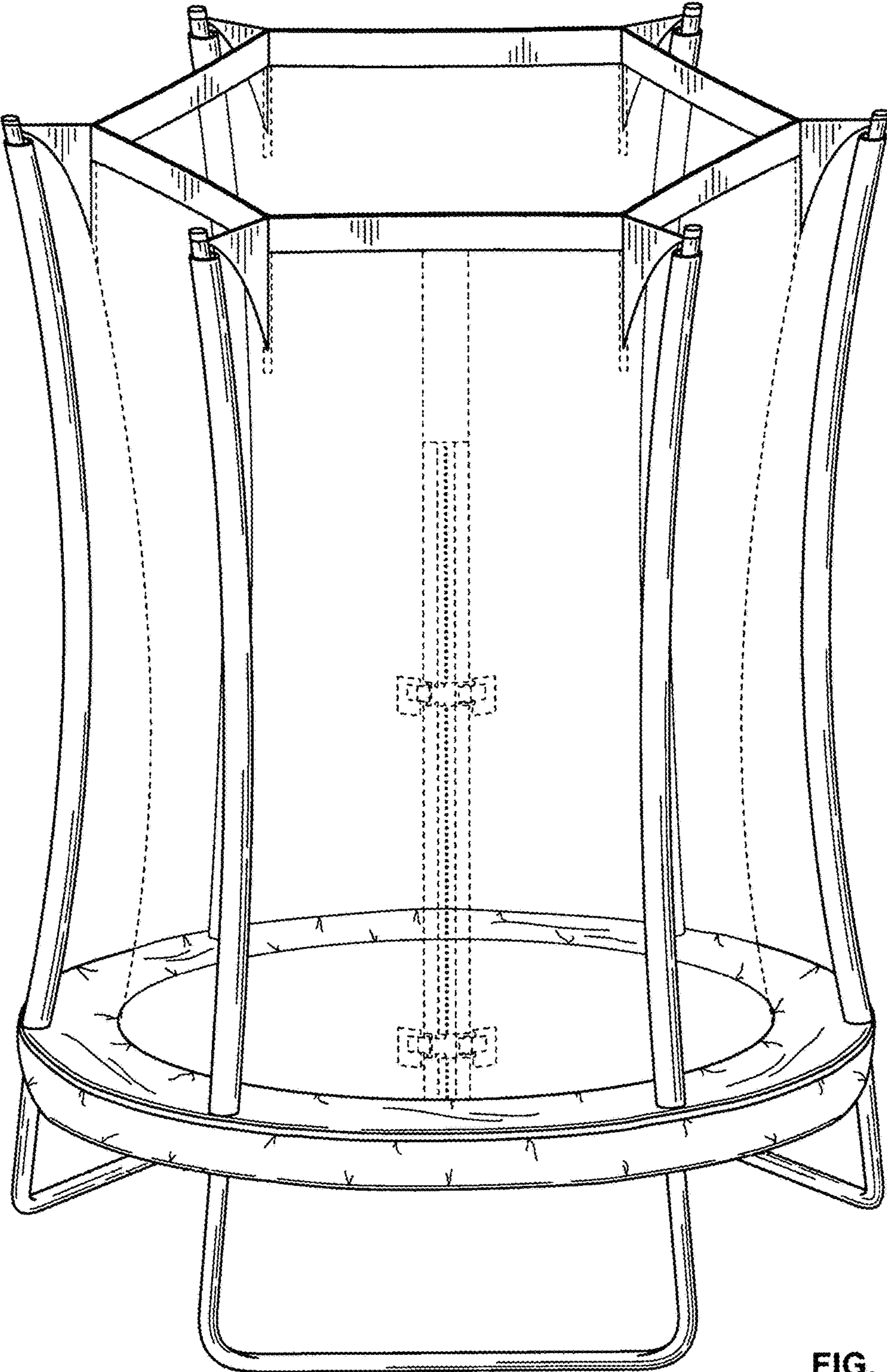


FIG. 1

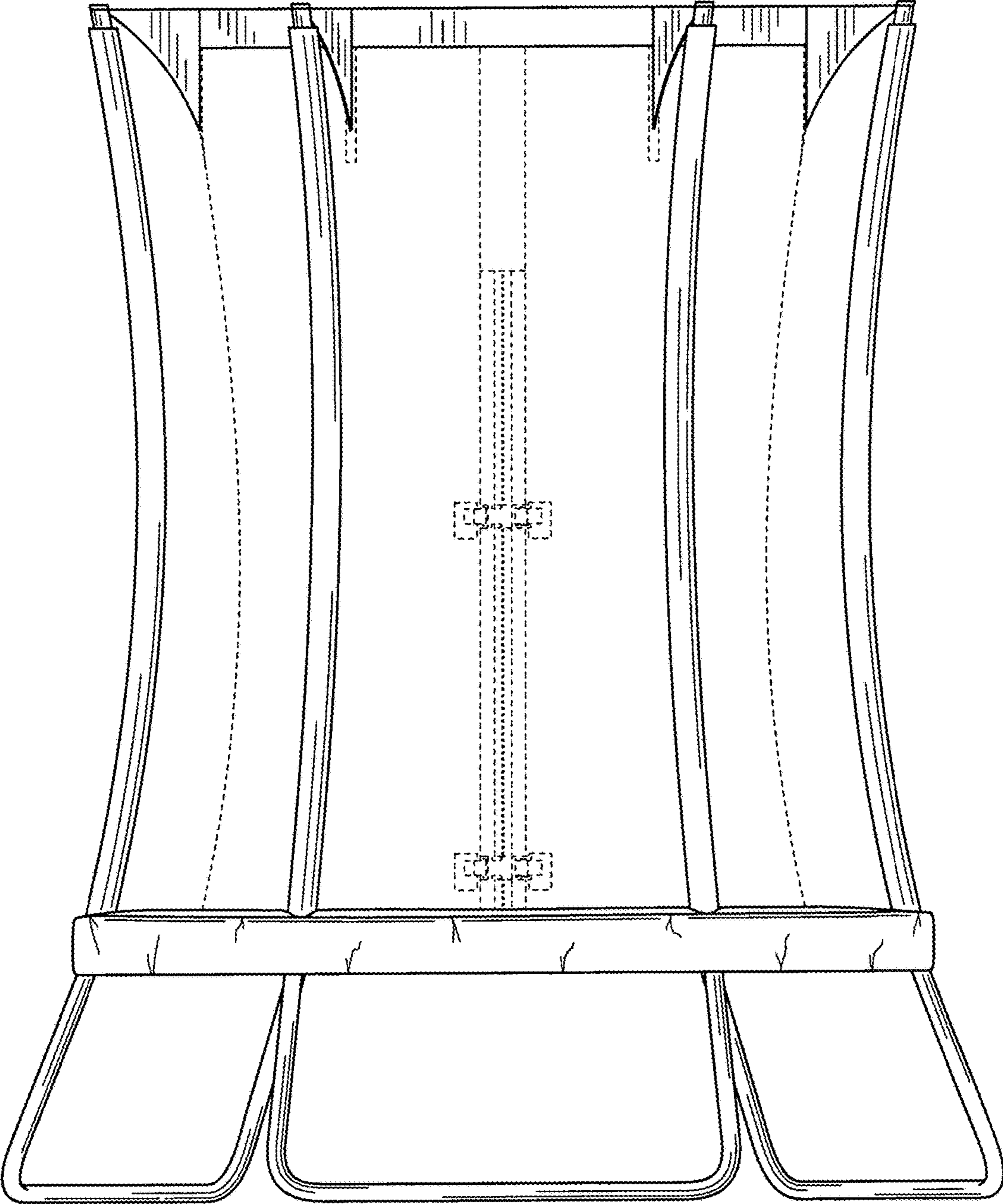


FIG. 2

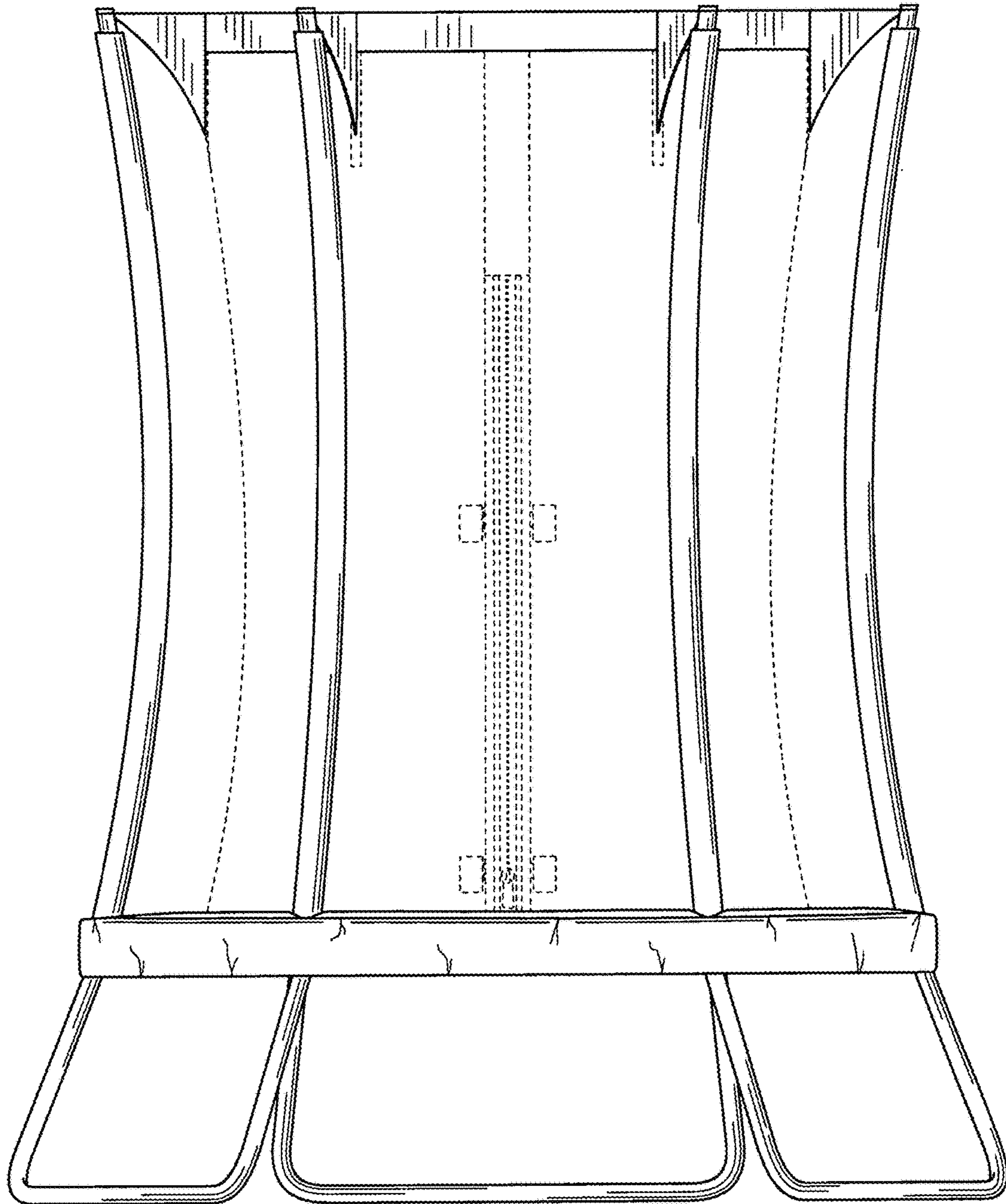


FIG. 3

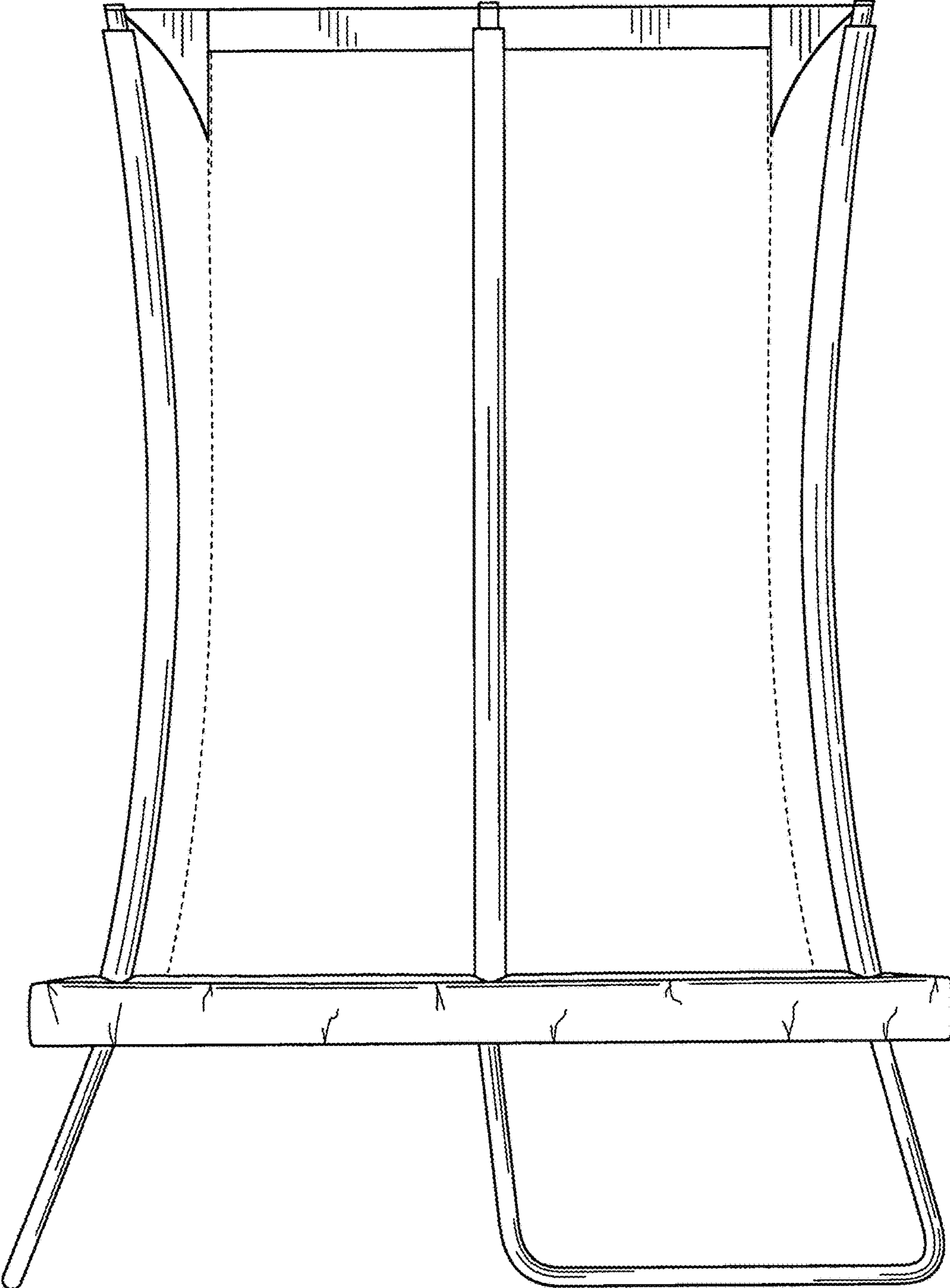


FIG. 4

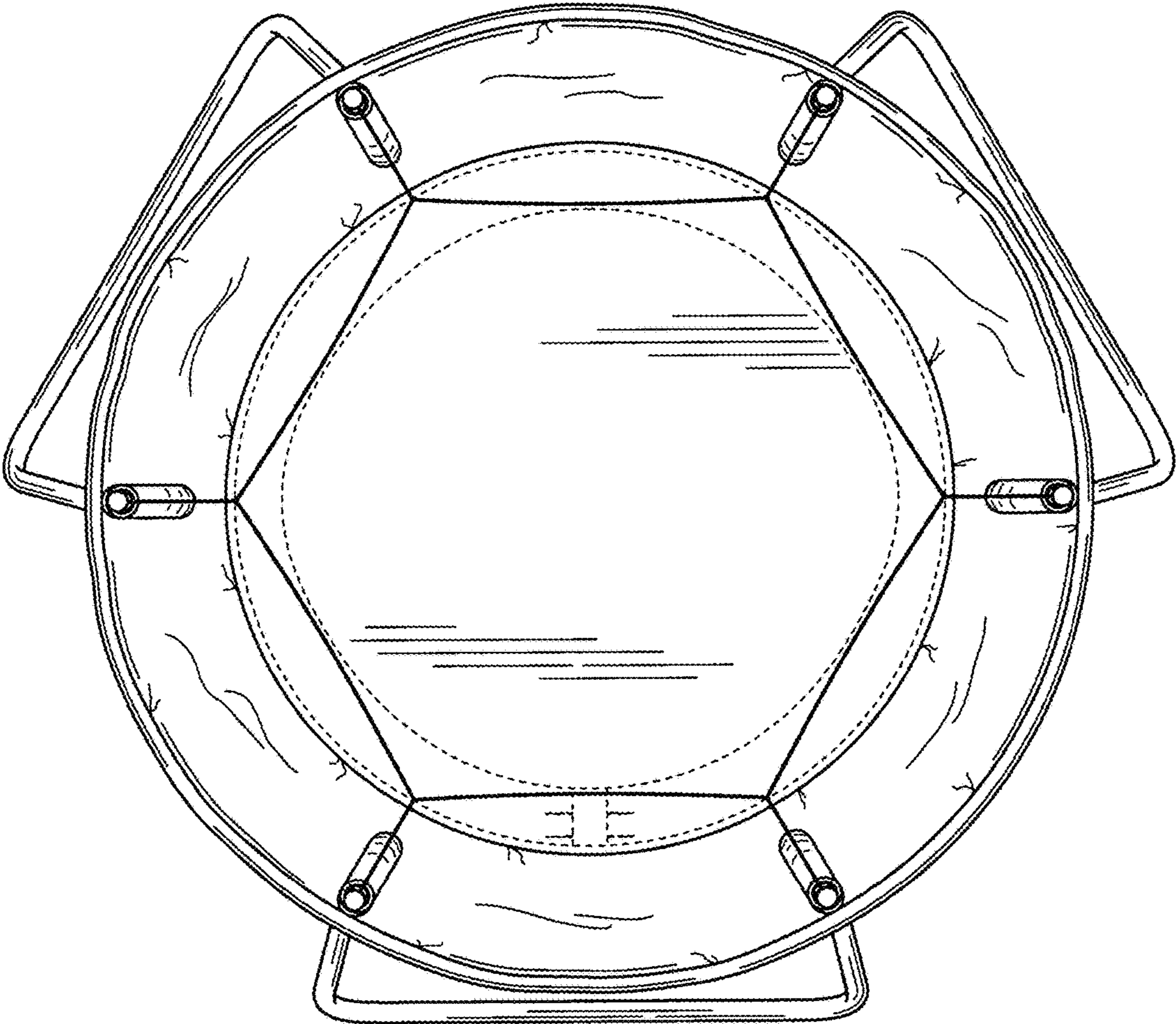


FIG. 5

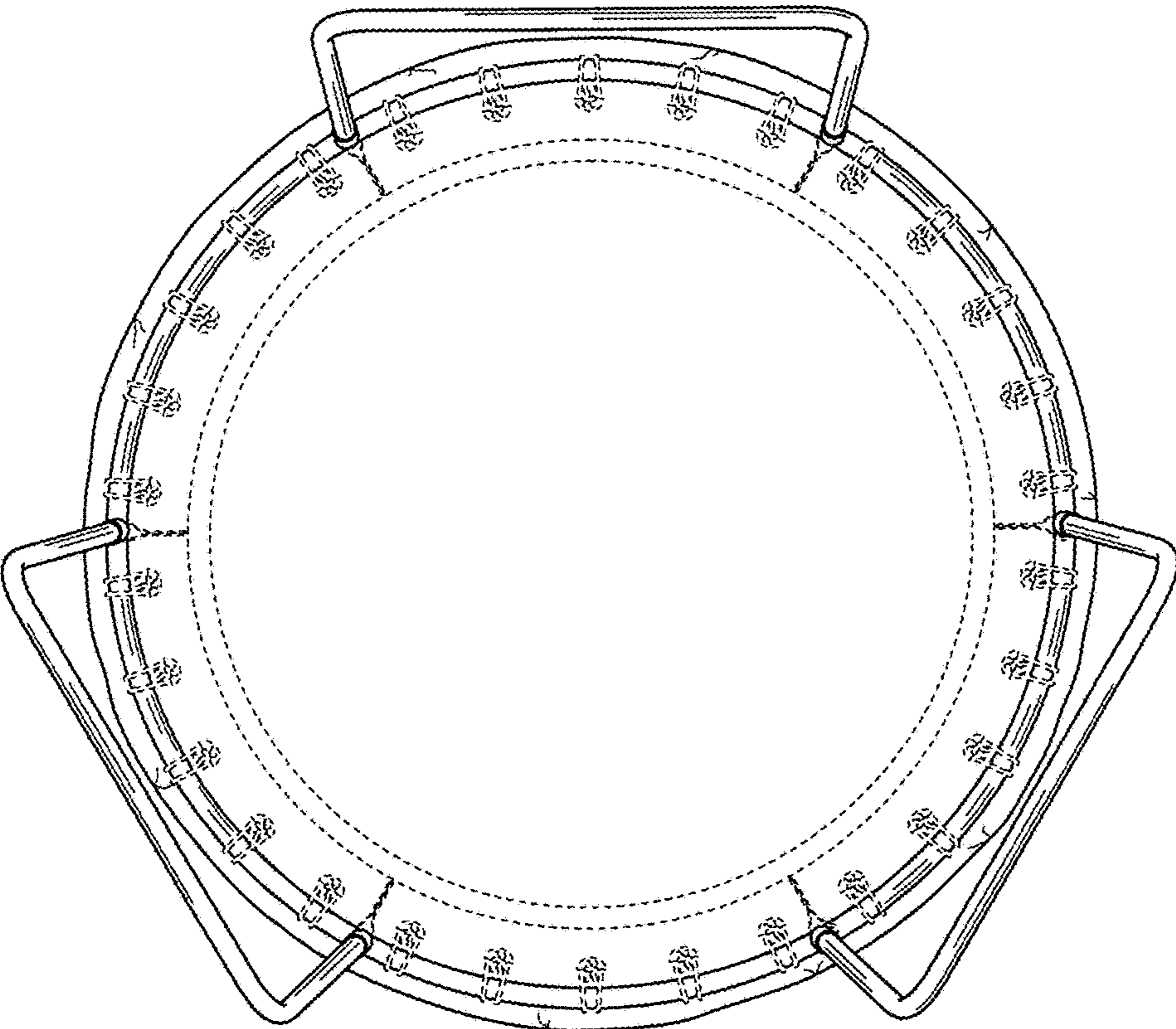


FIG. 6