



US00D805594S

(12) **United States Design Patent**
Hocknull

(10) **Patent No.:** **US D805,594 S**

(45) **Date of Patent:** **** Dec. 19, 2017**

(54) **SIMULATED SABER FOR IMPROVING ATHLETIC EFFICIENCY**

(71) Applicant: **John C. Hocknull**, Gilbert, AZ (US)

(72) Inventor: **John C. Hocknull**, Gilbert, AZ (US)

(**) Term: **15 Years**

(21) Appl. No.: **29/567,452**

(22) Filed: **Jun. 9, 2016**

(51) **LOC (10) Cl.** **21-02**

(52) **U.S. Cl.**
USPC **D21/791**

(58) **Field of Classification Search**

USPC D21/694, 753, 672, 684, 679, 775, 682, D21/669, 726, 723, 662, 791; 482/139, 482/109, 106, 121, 122, 126, 128, 148, 482/256; D7/682, 669; D3/7; D25/126; D10/81; D8/376, 378; 136/77; 604/1, 604/11; 473/256, 257, 227, 409, 296; 241/101.8, 169.2; 15/118, 209.1, 244.1; 206/315.5, 315.6

CPC A63B 21/0724; A63B 21/4035; A63B 21/0004; A63B 21/0552; A63B 21/0728; A63B 2023/006; A63B 23/1209; A63B 15/00

See application file for complete search history.

(56) **References Cited**

U.S. PATENT DOCUMENTS

- 4,674,747 A * 6/1987 Mazzocco A63B 53/10 206/315.5
- D296,918 S * 7/1988 Kirk D21/723
- 5,026,063 A * 6/1991 Rhodes A63B 15/00 473/256
- 5,127,899 A * 7/1992 Schmerse, Jr. A61F 13/38 604/1
- 5,531,671 A * 7/1996 Bennett A61F 13/385 15/118

- D389,038 S * 1/1998 Rosul D8/376
- 5,897,469 A * 4/1999 Yalch A63B 15/00 473/256
- D426,607 S * 6/2000 Wurster D21/791
- 6,217,495 B1 * 4/2001 Yalch A63B 15/00 473/256
- D443,813 S * 6/2001 Harwanko D8/376
- D448,689 S * 10/2001 Selby D10/81
- D458,659 S * 6/2002 Pullaro D21/791
- 6,872,174 B2 * 3/2005 Benach A63B 21/00043 482/121
- D517,135 S * 3/2006 Klein D21/679
- D517,148 S * 3/2006 Renaud D21/791
- D518,122 S * 3/2006 Reilly D21/679
- D556,841 S * 12/2007 Oates D21/662

(Continued)

OTHER PUBLICATIONS

Saber Golf Trainer by Saber dated no date given. Found online [Feb. 7, 2017] <http://sabergolf.com/shop/>.*

Primary Examiner — Robert M Spear

Assistant Examiner — Ryan Harvey

(74) *Attorney, Agent, or Firm* — Polster Lieder

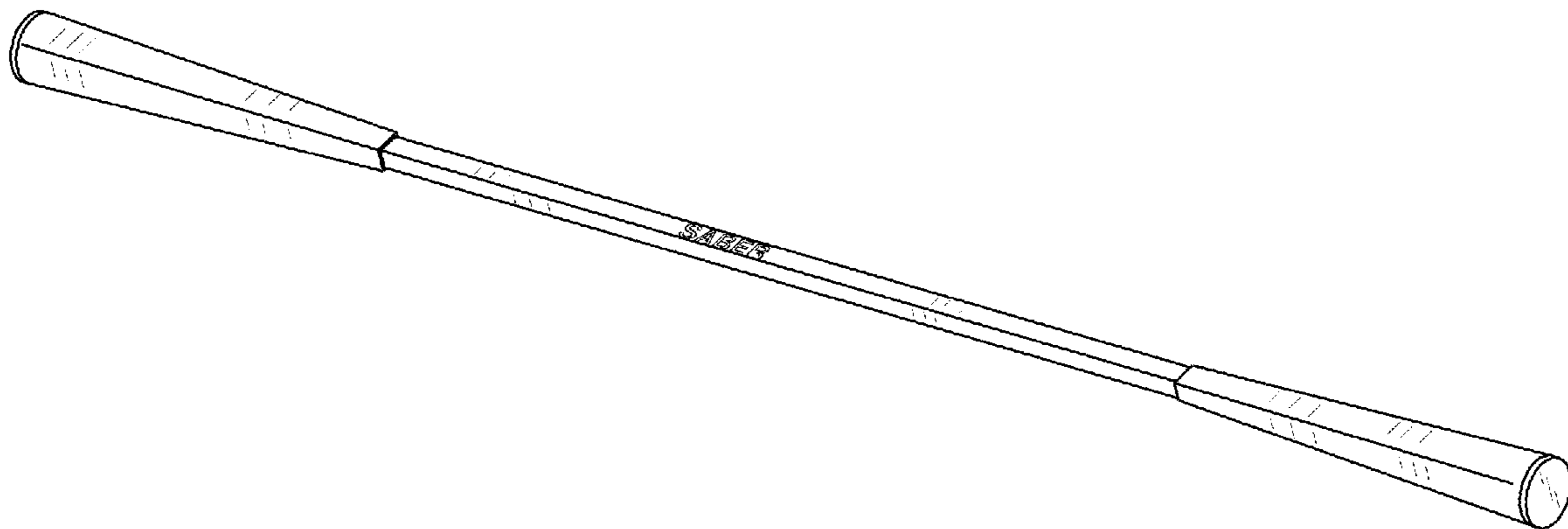
(57) **CLAIM**

The ornamental design for a simulated saber for improving athletic efficiency, as shown and described.

DESCRIPTION

FIG. 1 is a perspective view of the simulated saber for improving athletic efficiency showing my new design; FIG. 2 is a first side view of the simulated saber for improving athletic efficiency shown in FIG. 1 showing my new design; FIG. 3 is a second side view thereof; FIG. 4 is a third side view thereof; FIG. 5 is a fourth side view thereof; FIG. 6 is a top end plan view thereof; and, FIG. 7 is a bottom plan view thereof.

1 Claim, 1 Drawing Sheet



(56)

References Cited

U.S. PATENT DOCUMENTS

D576,230	S *	9/2008	Rasmussen	D21/694
D616,116	S *	5/2010	Keel	D25/126
D618,741	S *	6/2010	Crowder	D21/726
D657,009	S *	4/2012	Krull	D21/672
8,529,365	B1 *	9/2013	Davis	A63B 15/00 473/256
D693,564	S *	11/2013	Azar, Jr.	D3/7
8,814,714	B1	8/2014	Hjertstedt	
8,834,286	B1 *	9/2014	Rogers	A63B 69/3632 473/227
D720,967	S *	1/2015	Melzer	D7/669
D723,643	S *	3/2015	Senseman	A63C 17/0013 D21/775
D733,226	S *	6/2015	Abbate	D21/679
D736,863	S *	8/2015	Seeger	D21/662
9,457,216	B2 *	10/2016	Lagree	A63B 21/0004
2009/0264267	A1 *	10/2009	Ballif	A63B 21/0004 482/139
2010/0006129	A1 *	1/2010	Falit	A45B 9/04 135/77
2011/0042497	A1 *	2/2011	Silvers	A47G 21/023 241/101.8
2014/0121074	A1 *	5/2014	Cojocararu	A63B 21/0724 482/106
2014/0329650	A1 *	11/2014	Watry	A63B 69/0093 482/139

* cited by examiner

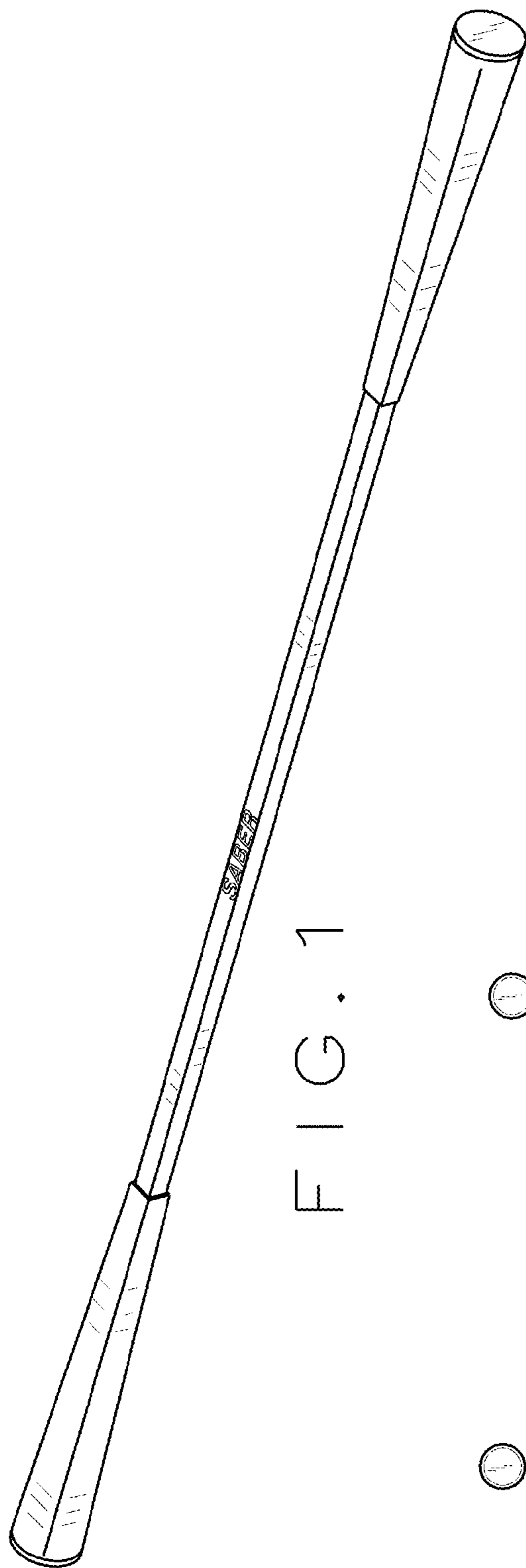


FIG. 1



FIG. 6

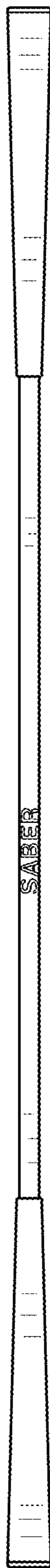


FIG. 2

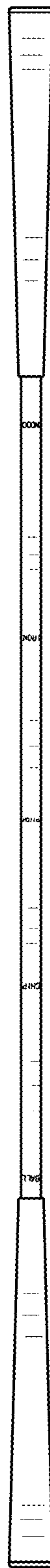


FIG. 3

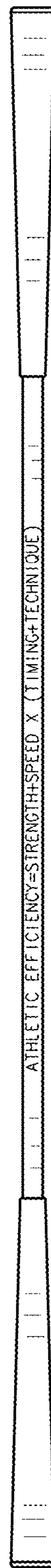


FIG. 4

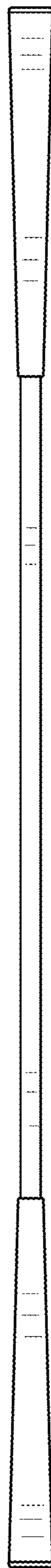


FIG. 5