



US00D805591S

(12) **United States Design Patent** (10) **Patent No.:** **US D805,591 S**
Miller et al. (45) **Date of Patent:** **** Dec. 19, 2017**

(54) **BALL RETURN TRAINING DEVICE**

FOREIGN PATENT DOCUMENTS

(71) Applicant: **PRO PERFORMANCE SPORTS, L.L.C.**, Carlsbad, CA (US)

WO 199807477 A1 2/1998
WO 200220099 A1 3/2002

(Continued)

(72) Inventors: **Monica Miller**, Encinitas, CA (US);
Richard Huth, Encinitas, CA (US)

OTHER PUBLICATIONS

(73) Assignee: **PRO PERFORMANCE SPORTS, LLC**, Carlsbad, CA (US)

Park & Sun Pro Rebounder at URL http://www.parksun.com/Sporting_Goods/Outdoor_Games/Target_Games/Rebounder_Series/Pro_Rebounder.html; retrieved on Jan. 3, 2017.

(**) Term: **15 Years**

(Continued)

(21) Appl. No.: **29/579,137**

Primary Examiner — Catherine A Tuttle

(22) Filed: **Sep. 28, 2016**

(74) *Attorney, Agent, or Firm* — NorthStar Law Group;
Thomas J. Bassolino

(51) **LOC (10) Cl.** **21-02**

(52) **U.S. Cl.**
USPC **D21/705**; D21/698

(57) **CLAIM**

(58) **Field of Classification Search**
USPC D21/302–306, 698–705, 780, 788, 790;
473/415–496, 172, 173, 197; 273/348,
273/394, 396, 397, 398, 400, 401, 402,
273/406, 407

The ornamental design for a ball return training device, as shown and described.

CPC . A63B 63/00; A63B 63/004; A63B 2063/001;
A63B 2063/002; A63B 2063/005; A63B
69/00; A63B 69/0002; A63B 69/0097;
A63B 69/3623; A63B 2069/0006; A63B
2069/3626; A63B 2069/401; A63B
71/0036; A63B 71/022; A63B 2210/50;
A63B 2210/52; A63B 2210/54; A63B
2225/09; A63B 2243/00; A63B
2243/0025

DESCRIPTION

See application file for complete search history.

FIG. 1 is a front, right side perspective view showing our new for a ball return training device in a first position; FIG. 2 is a front view thereof; FIG. 3 is a rear view thereof; FIG. 4 is a right side view thereof; FIG. 5 is a left side view thereof; FIG. 6 is a top view thereof; FIG. 7 is a bottom view thereof; FIG. 8 is a front, right side perspective view showing the design in a first alternate (stowed) position; FIG. 9 is a front, right side perspective view showing the design in a second alternate position; and, FIG. 10 is a front, right side perspective view showing the design in a third alternate position.

(56) **References Cited**

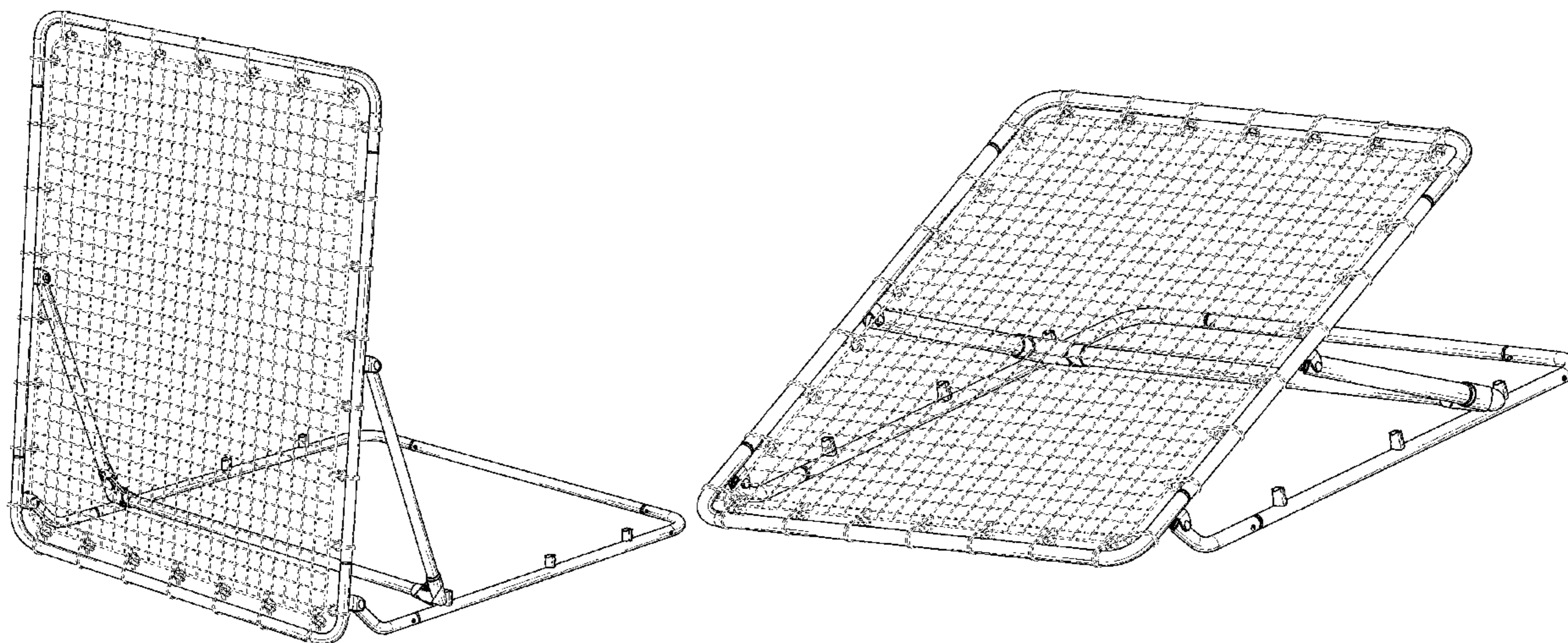
U.S. PATENT DOCUMENTS

3,427,026 A 2/1969 Mahoney
3,502,330 A 3/1970 Cheftel
3,672,672 A 6/1972 Rubin
3,752,476 A 8/1973 Mahoney

The broken lines showing portions of the design are for illustrative purposes only and form no part of the claimed design.

(Continued)

1 Claim, 10 Drawing Sheets



(56)

References Cited

U.S. PATENT DOCUMENTS

3,836,144 A 9/1974 Mahoney
 4,082,271 A 4/1978 Martin
 4,239,235 A 12/1980 Torres
 4,421,318 A * 12/1983 Sverdlik A63B 69/0097
 473/476
 4,456,251 A 6/1984 Balaz
 4,489,941 A 12/1984 Shieh
 4,546,984 A 10/1985 Towle et al.
 4,553,751 A 11/1985 Ketchum
 4,905,996 A * 3/1990 Tallent A63B 63/00
 273/401
 5,007,638 A 4/1991 Yukl
 5,039,109 A 8/1991 Mahoney et al.
 5,125,650 A * 6/1992 Paris A63B 21/00047
 482/140
 5,333,856 A * 8/1994 Gery A63B 63/00
 473/454
 D354,992 S * 1/1995 Hinsperger D21/705
 5,407,211 A 4/1995 Bottiglieri
 5,549,304 A * 8/1996 Davis A63B 63/004
 273/396
 5,613,922 A 3/1997 Hsiang
 5,772,537 A 6/1998 Anderson et al.
 5,807,193 A 9/1998 Talarico et al.
 5,833,234 A 11/1998 Vavala et al.
 5,857,679 A 1/1999 Ringe et al.
 5,906,552 A 5/1999 Padilla
 D442,242 S * 5/2001 Rajacich D21/705
 6,357,750 B1 3/2002 Lievens
 D462,733 S * 9/2002 Smith, IV D21/780
 6,739,988 B2 5/2004 Jensen et al.
 6,880,828 B2 4/2005 Liao
 7,021,630 B1 * 4/2006 Cho A63B 63/00
 273/401
 7,959,154 B2 6/2011 Ball
 8,043,172 B2 10/2011 Campanaro et al.
 8,177,651 B2 5/2012 Curry
 8,460,128 B2 6/2013 Elpers
 8,590,901 B2 * 11/2013 Goldwitz A63B 63/00
 273/395
 8,608,170 B2 12/2013 Ball
 9,155,952 B2 10/2015 Yamanashi
 D748,198 S * 1/2016 Nally D21/302
 9,227,126 B2 1/2016 Christgau et al.
 9,266,003 B2 2/2016 Luo
 2003/0060309 A1 3/2003 Smith
 2003/0236139 A1 12/2003 Jensen
 2004/0014537 A1 1/2004 Piras
 2004/0140621 A1 7/2004 Liao
 2004/0178585 A1 * 9/2004 Cosenza A63B 69/0002
 273/454
 2005/0189719 A1 * 9/2005 Goldwitz A63B 63/004
 273/407
 2006/0040770 A1 * 2/2006 Chou A63B 69/0071
 473/433
 2006/0079351 A1 * 4/2006 Brenneke A63B 63/00
 473/439

2006/0119045 A1 * 6/2006 Cho A63B 69/0097
 273/396
 2007/0054757 A1 * 3/2007 Will A63B 24/0021
 473/454
 2007/0090601 A1 4/2007 Liao
 2007/0123369 A1 * 5/2007 Cherry A63B 69/40
 473/451
 2008/0067751 A1 * 3/2008 Hunt A63B 63/00
 273/396
 2012/0129633 A1 5/2012 Chen
 2013/0303312 A1 * 11/2013 DeBolt A63B 69/00
 473/446
 2014/0094327 A1 4/2014 Freund
 2014/0171228 A1 6/2014 Holland
 2014/0296002 A1 10/2014 Luo
 2017/0128801 A1 * 5/2017 Stirton A63B 63/00

FOREIGN PATENT DOCUMENTS

WO 2007025576 A1 3/2007
 WO 2014075377 A1 5/2014
 WO 2015110795 A1 7/2015

OTHER PUBLICATIONS

Louisville Slugger Quad Pro Rebounder Net at URL <http://www.slugger.com/en-us/baseball/accessories/quad-net-pro-rebounder>; retrieved on Jan. 3, 2017.
 Champion Sports Multi-Sport Net Pitch Back Screen at URL <https://www.amazon.com/Champion-Sports-Multi-Sport-Pitch-Screen/dp/B01HMWECC0>; retrieved on Jan. 3, 2017.
 Easton Adjustable Trainer at URL <http://www.easton.com/baseball/playback-elite>; retrieved on Jan. 3, 2017.
 Franklin Sports MLB Flyback at <http://franklinsports.com/mlb-flyback-multi-position-return-trainer>; retrieved on Jan. 3, 2017.
 Franklin Sports MLB Deluxe Infinite Angle Return Trainer at URL <https://www.amazon.com/Franklin-Sports-Infinite-Trainer-52-Inch/dp/B002Y0IYRU>; retrieved on Jan. 4, 2017.
 PRIMED 2-in-1 Target Rebound Trainer at URL <https://www.amazon.com/PRIMED-2-in-1-Target-Rebound-Trainer/dp/B00XCJLW30>; retrieved on Jan. 3, 2017.
 SKLZ Shockwave Baseball Pitchback at URL <https://www.amazon.com/sklz-shockwave-baseball-pitchback-rebounder/dp/b00bgob2si>; retrieved on Jan. 3, 2017.
 Rukket Multi Sport Rebounder Training Screen at URL <http://www.rukket.com/products/rukket-4x7ft-baseball-and-softball-rebounder-pitch-back-training-screen-with-lifetime-warranty>; retrieved Jan. 3, 2017.
 Goalrilla Spring Trainer at URL <http://www.goalrilla.com/training-equipment/spring-trainer>; retrieved Jan. 3, 2017.
 Tekk Trainer Rebounder Goal at URL <http://tekk.com/>; retrieved Jan. 3, 2017.

* cited by examiner

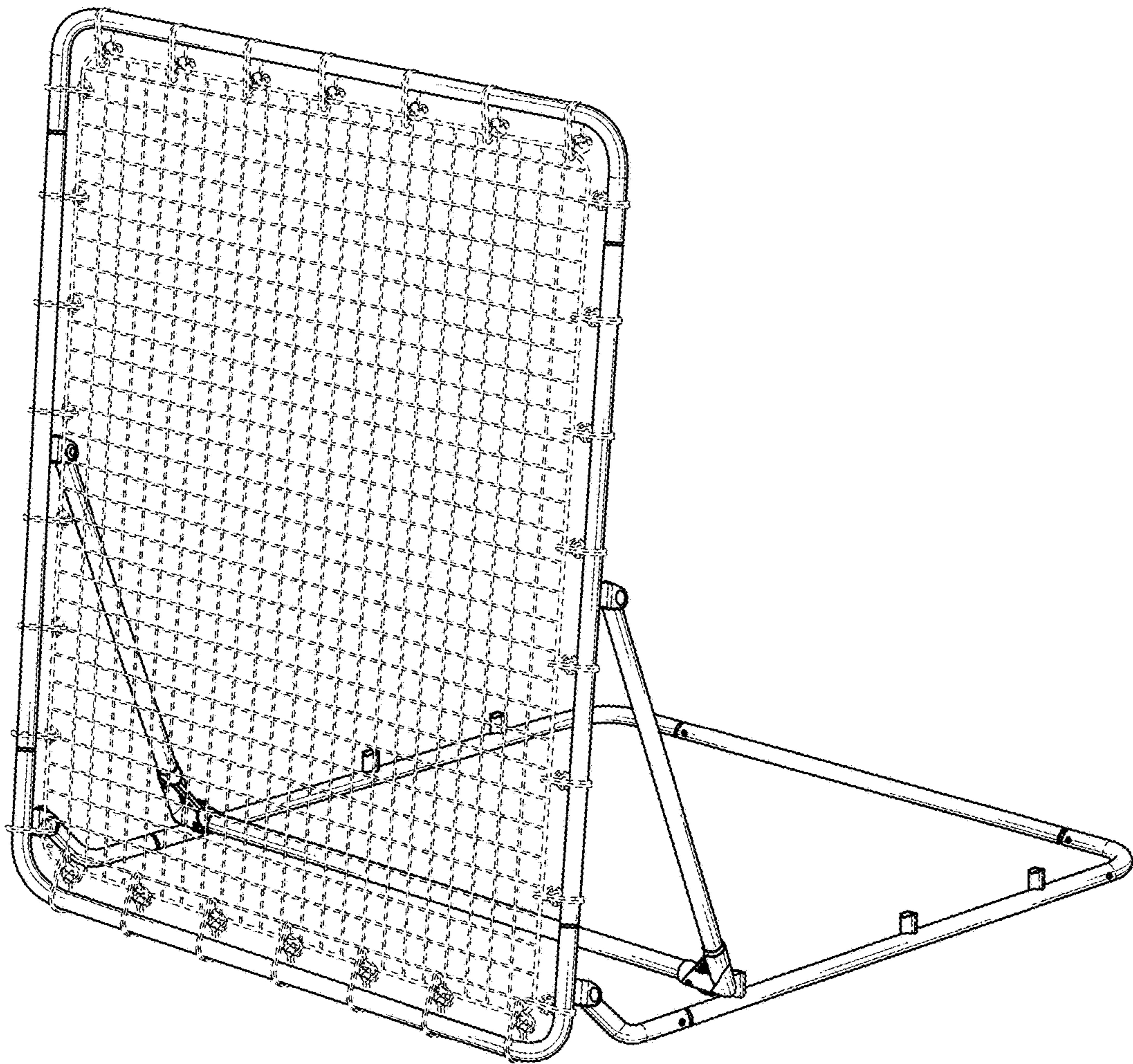


FIG. 1

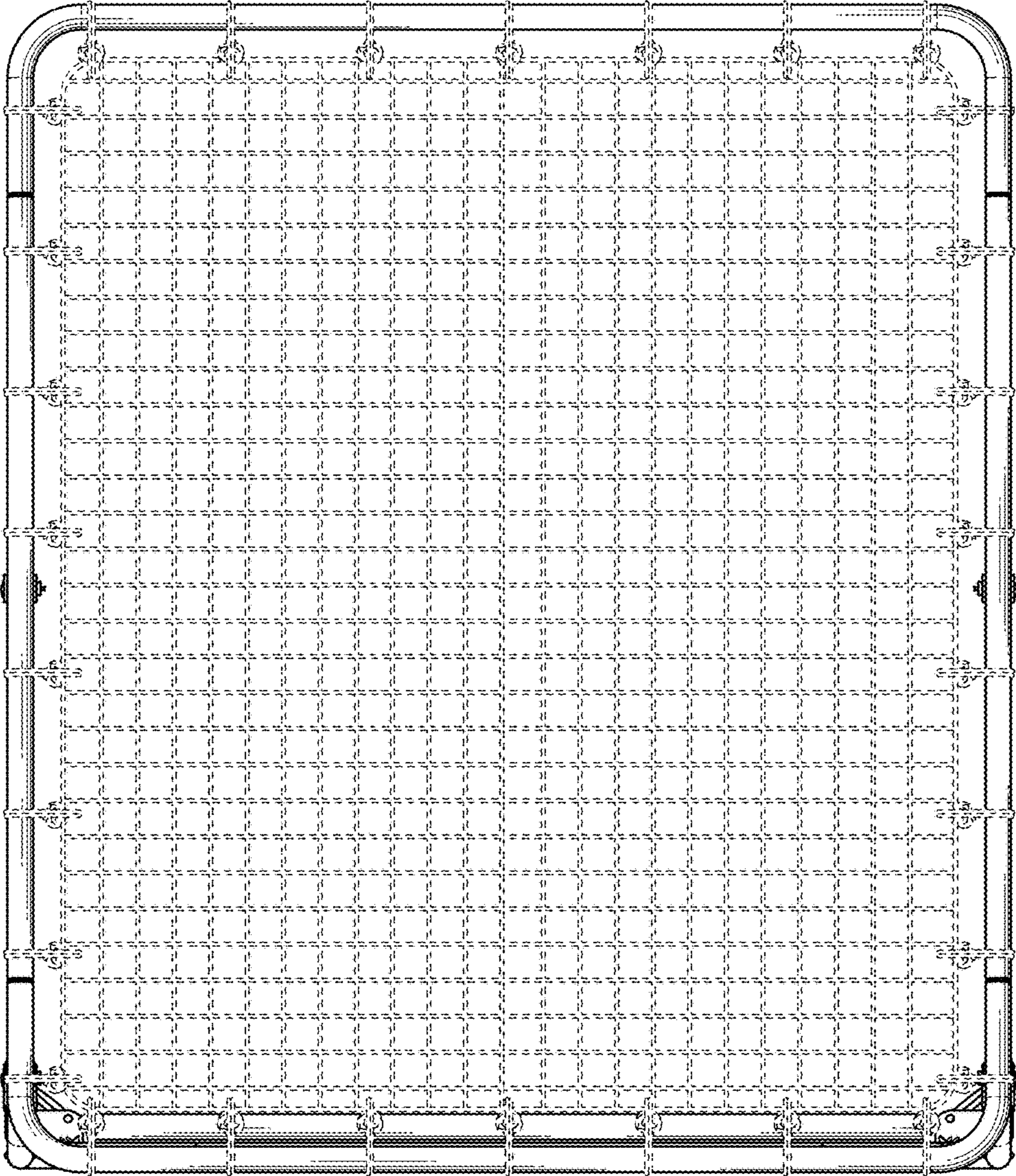


FIG. 2

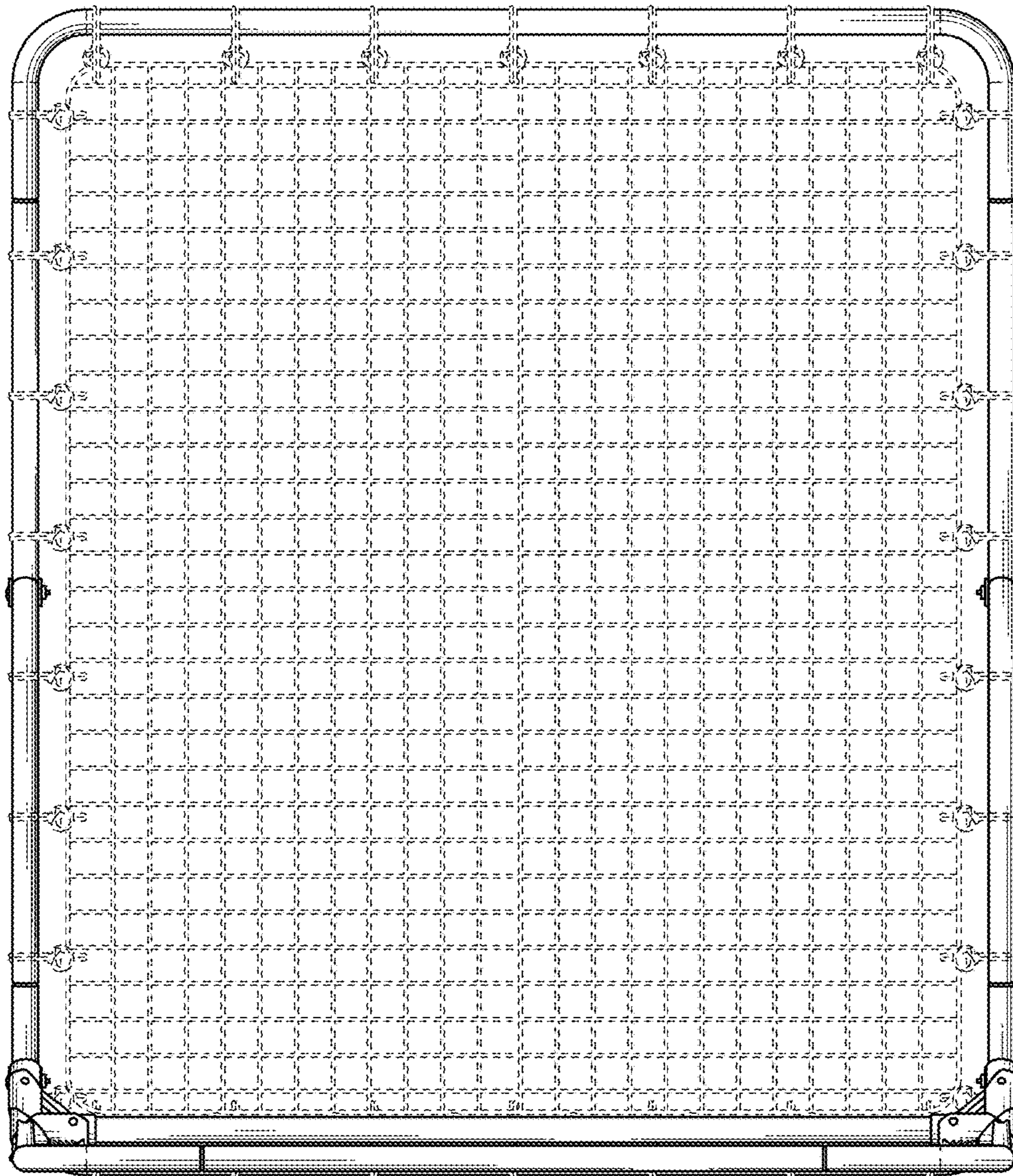


FIG. 3

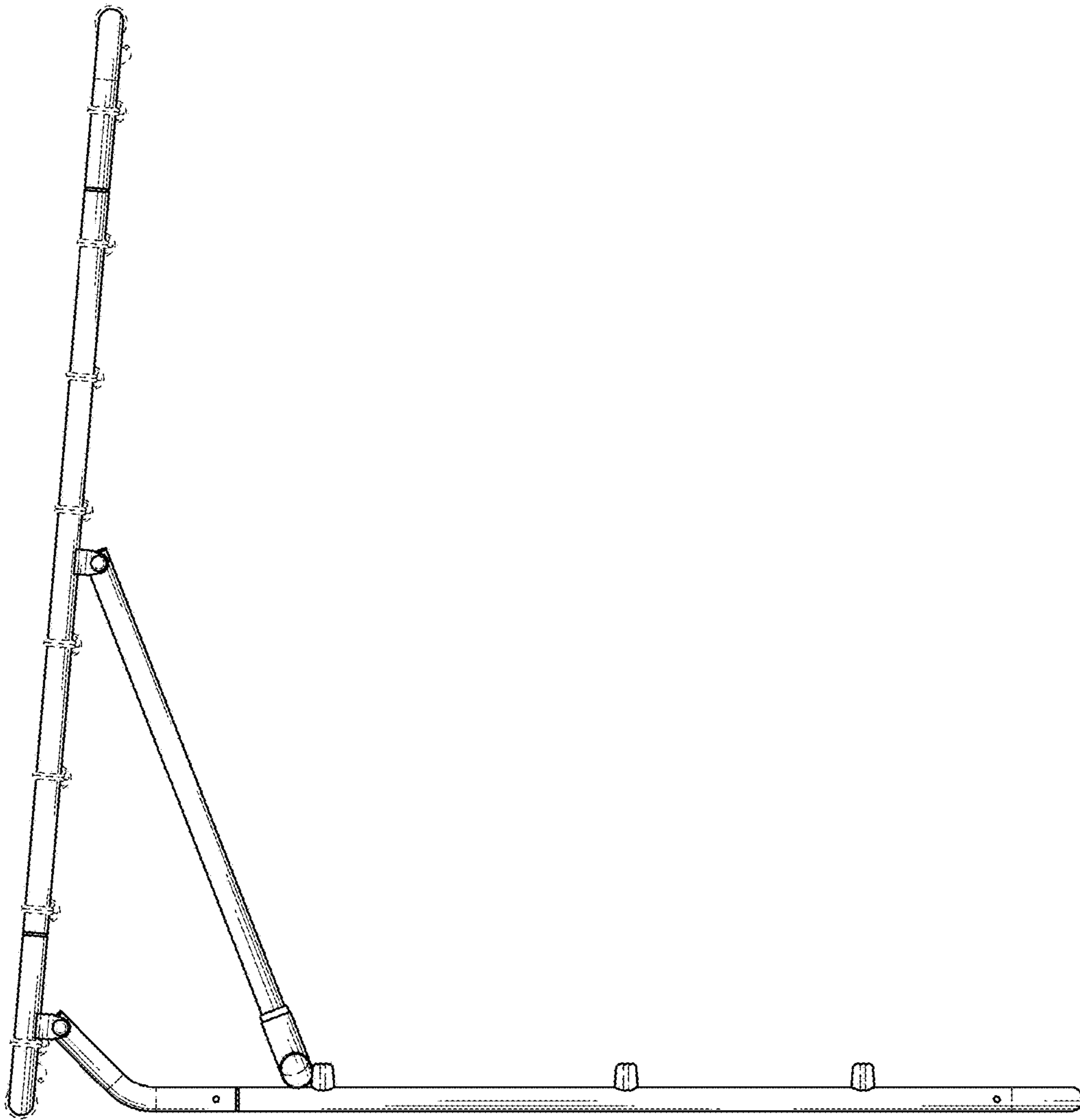


FIG. 4

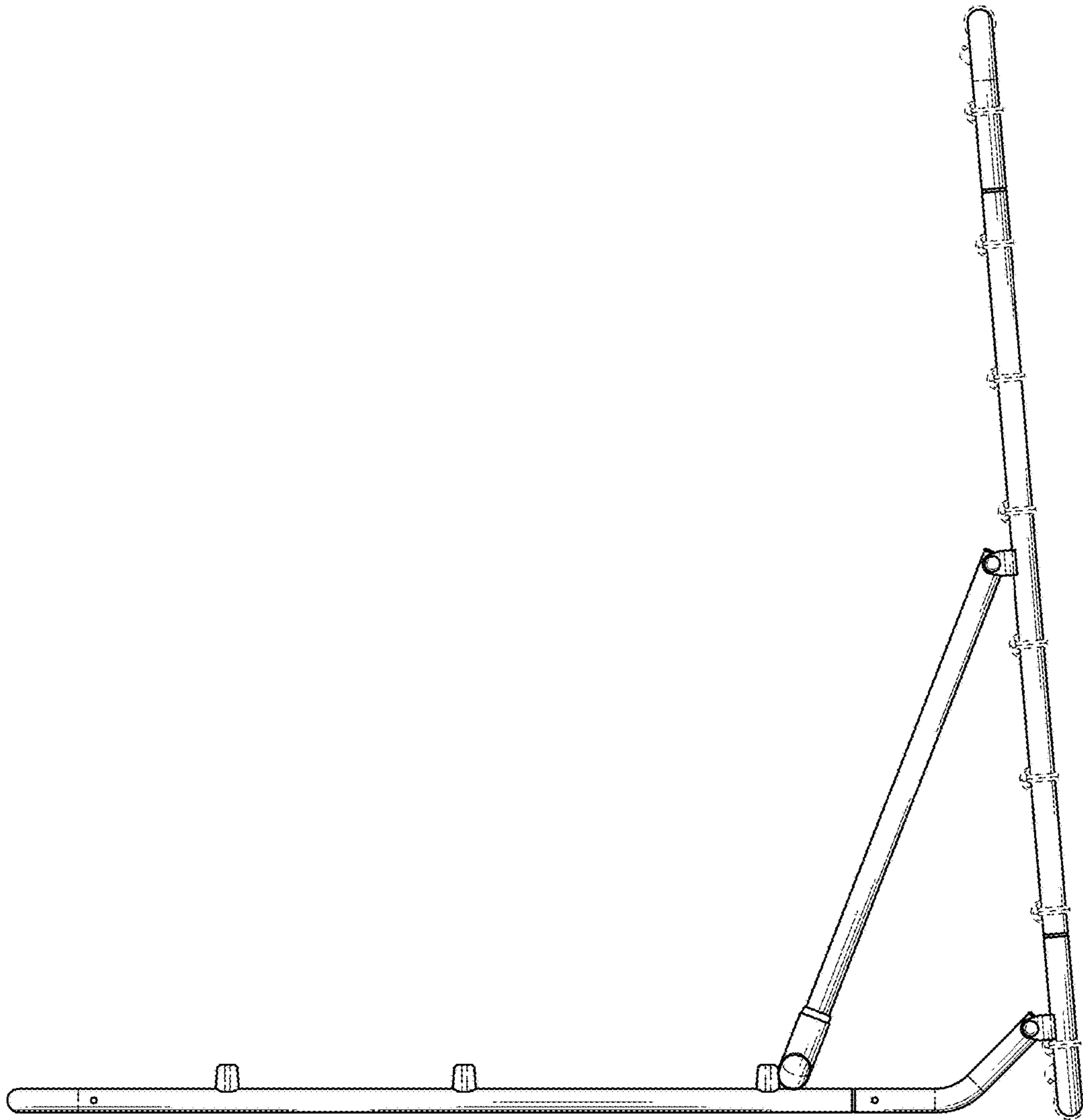


FIG. 5

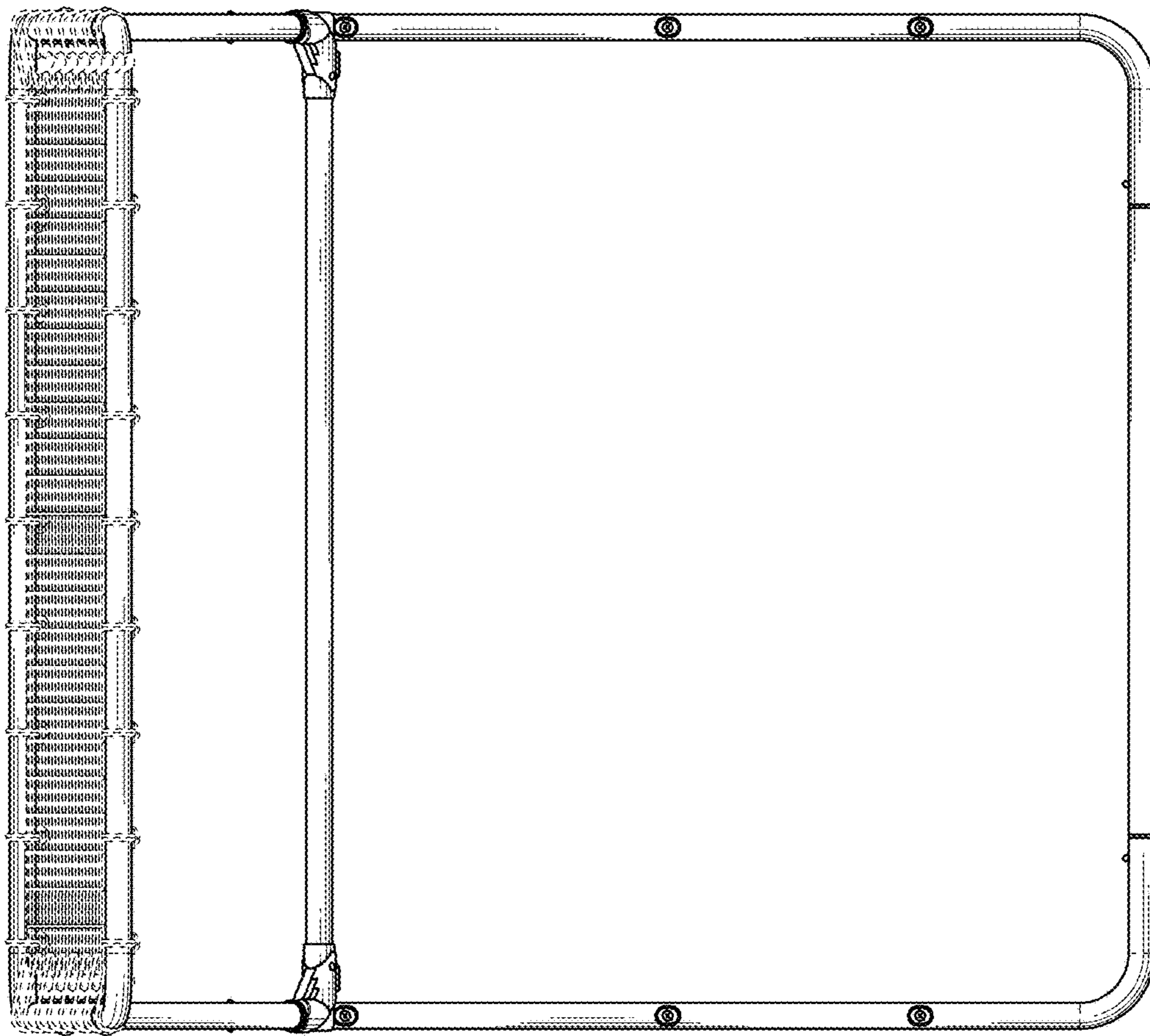


FIG. 6

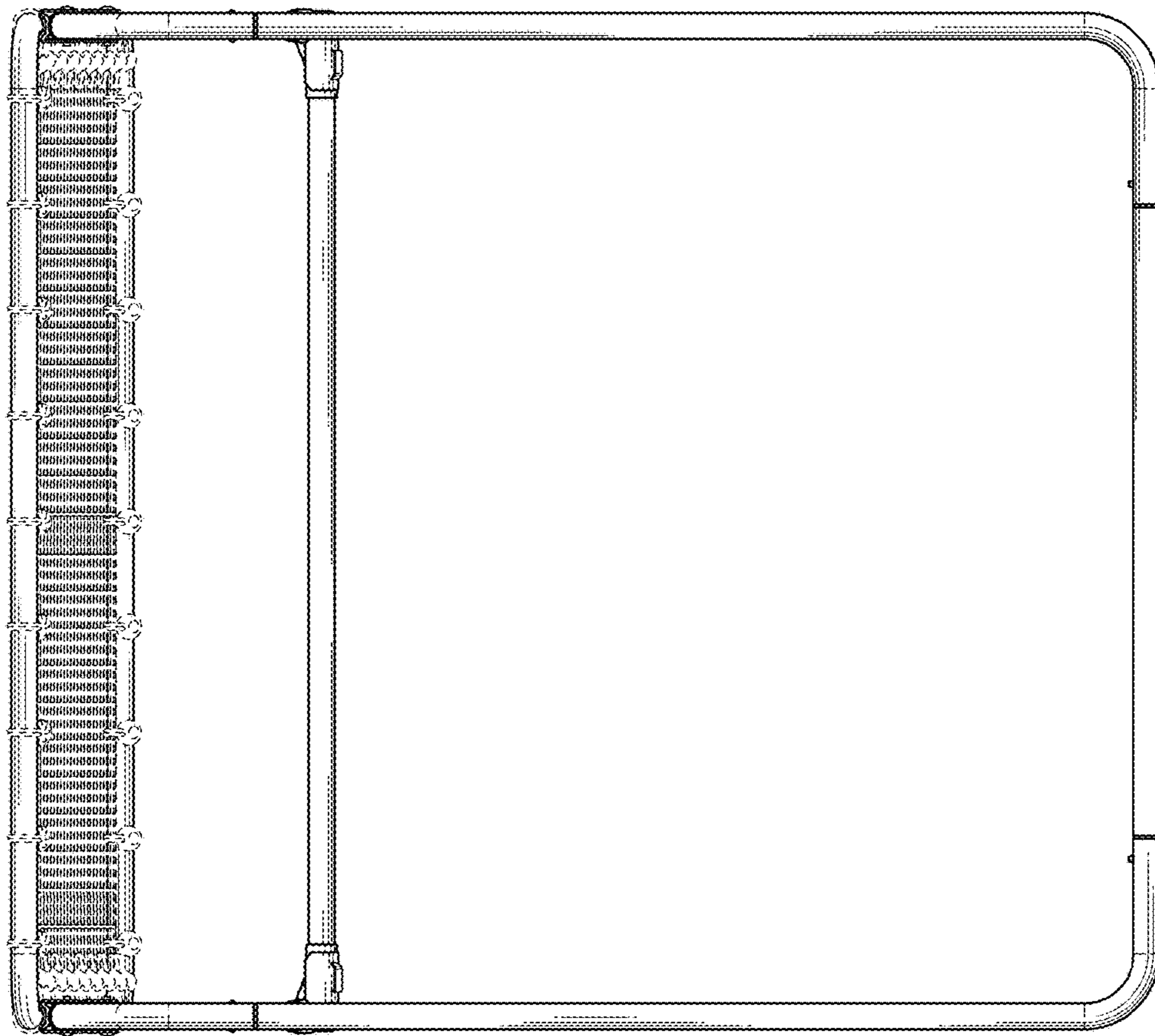


FIG. 7

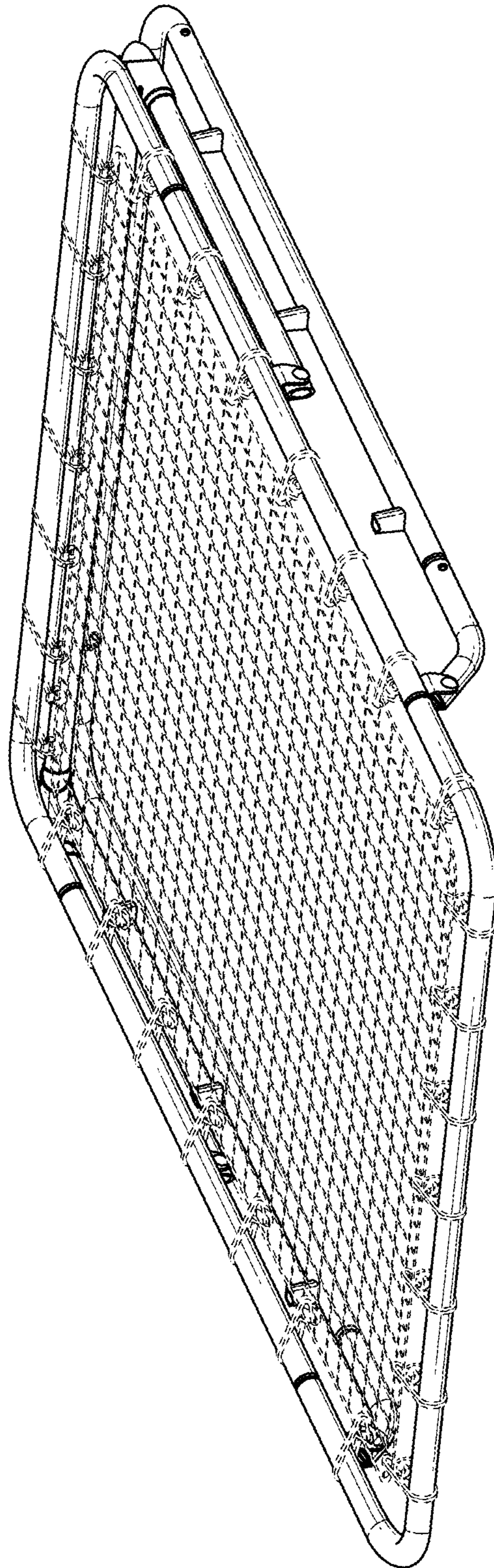


FIG. 8

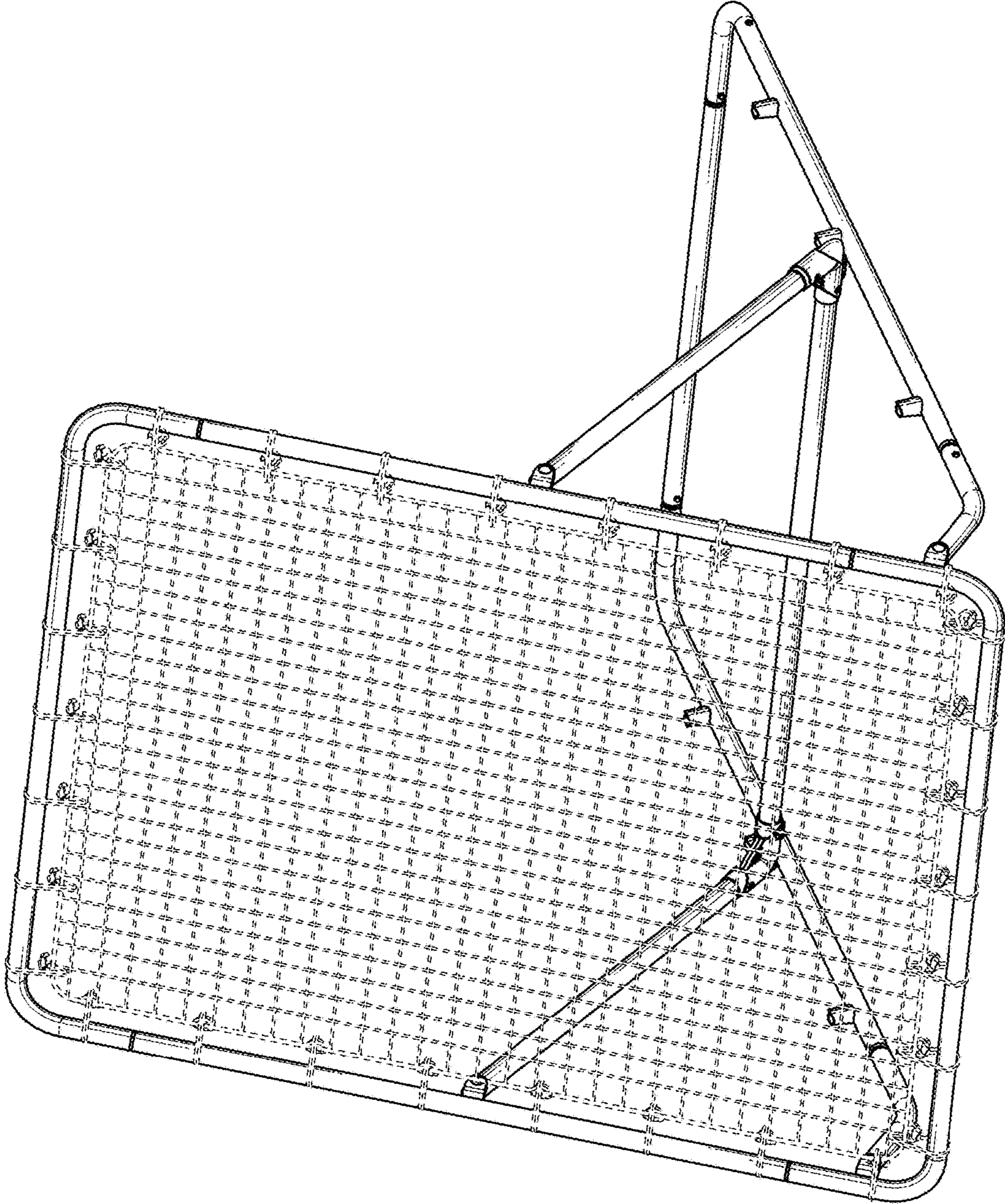


FIG. 9

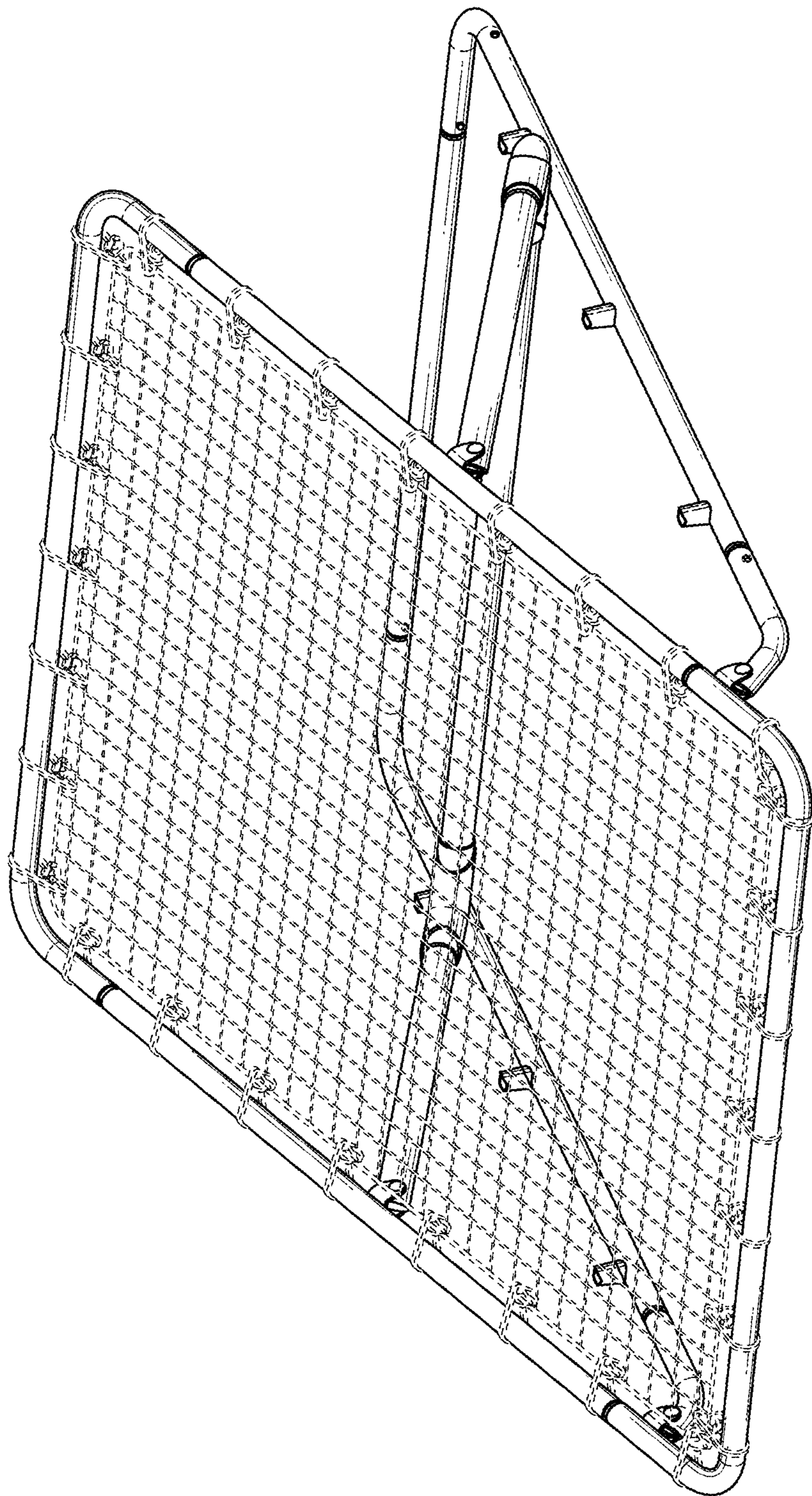


FIG. 10