



US00D805584S

(12) **United States Design Patent**
Wallace et al.

(10) **Patent No.:** **US D805,584 S**

(45) **Date of Patent:** **** Dec. 19, 2017**

(54) **STORYBOARD**

(71) Applicant: **DISCOVER STORYBOARD PTY LTD.**, Summer Hill, NSW (AU)

(72) Inventors: **Elizabeth Wallace**, Summer Hill (AU);
Jane Carr, Summer Hill (AU)

(**) Term: **15 Years**

(21) Appl. No.: **29/578,495**

(22) Filed: **Sep. 22, 2016**

(51) **LOC (10) Cl.** **19-06**

(52) **U.S. Cl.**
USPC **D19/113**

(58) **Field of Classification Search**
USPC D10/64; D19/26-31, 88, 113, 114;
D20/10, 19, 27, 39, 40, 41, 42
CPC .. B43L 1/00; B43L 1/004; B43L 1/008; B43L
1/12; B43L 5/00; G06F 7/00; G06F
15/00; G06F 15/0006; G06F 15/0012;
G06F 15/0056; G09F 2007/1834; G09F
2007/1843; G09F 2007/1847; G09F 7/04
See application file for complete search history.

(56) **References Cited**

U.S. PATENT DOCUMENTS

565,511	A *	8/1896	Schmidt	B42F 13/402
					281/30
1,447,731	A *	3/1923	Pougher	B42D 1/06
					281/29
3,092,400	A *	6/1963	Smith	B42F 13/0006
					281/19.1
3,099,463	A *	7/1963	Lennartz	B42F 9/00
					281/19.1
D246,180	S *	10/1977	Yamauchi	D19/113
4,367,061	A *	1/1983	Wiholm	B42C 7/00
					412/17
D332,466	S *	1/1993	Logan	D19/113

D335,685	S *	5/1993	Chen	D18/7
D341,945	S *	12/1993	Connor	D6/300
D346,067	S *	4/1994	Bell	D6/300
D391,987	S *	3/1998	Jambhekar	D14/315
D396,679	S *	8/1998	Findel, II	D12/193
D517,545	S *	3/2006	Buckel	D14/345
D520,562	S *	5/2006	Nash	A47B 97/04
					D19/113
D626,124	S *	10/2010	Chyan	D14/341
8,641,426	B2 *	2/2014	Yang	A63B 71/06
					434/247
D767,525	S *	9/2016	Byun	D14/138 AB
D785,095	S *	4/2017	Davis	D20/10
D791,725	S *	7/2017	Lee	D14/138 AB

(Continued)

Primary Examiner — Elizabeth Albert

(74) *Attorney, Agent, or Firm* — Holland & Hart LLP

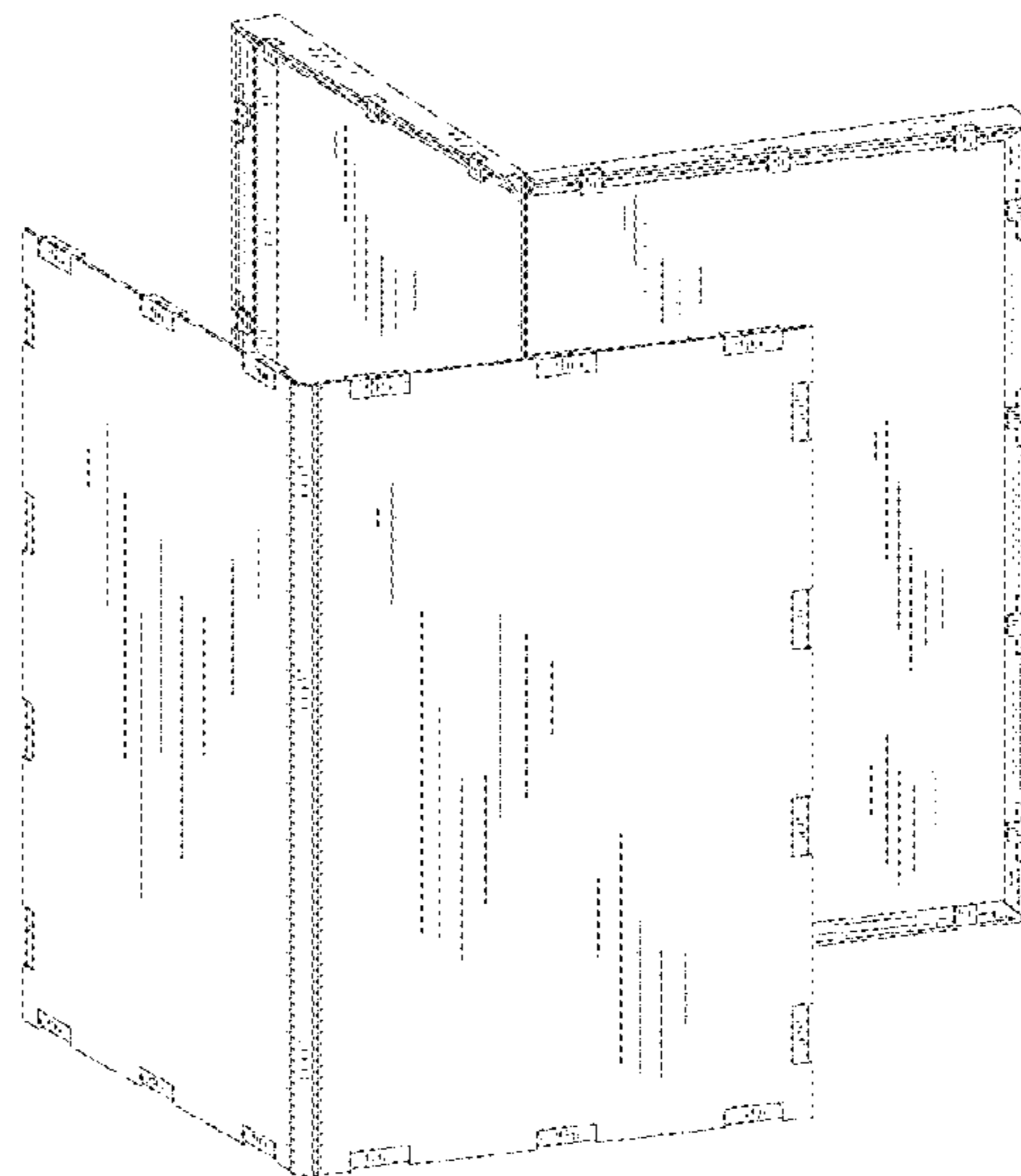
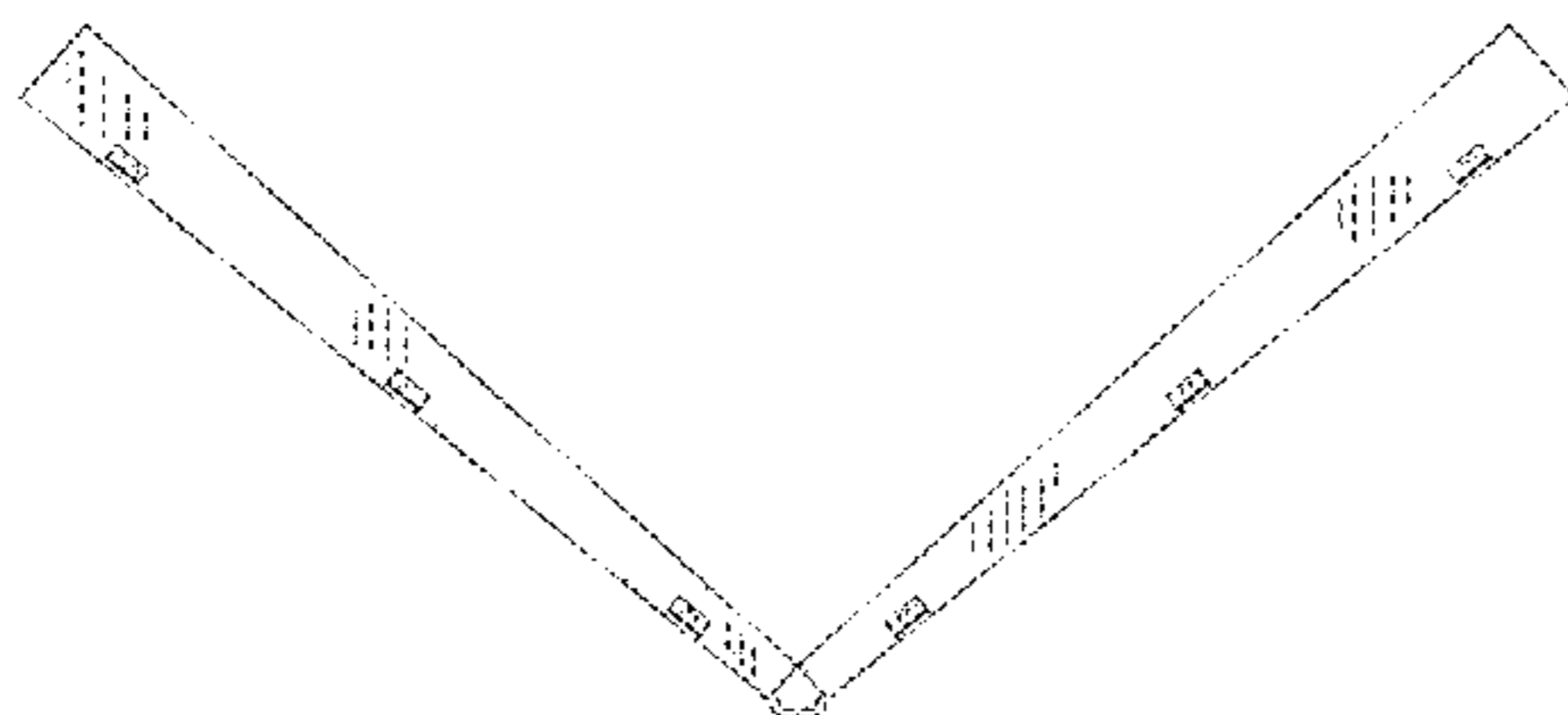
(57) **CLAIM**

The ornamental design for a storyboard, as shown and described.

DESCRIPTION

FIG. 1 is a front exterior perspective view of the storyboard, showing my new design;
 FIG. 2 is a front exterior view of the design illustrated in FIG. 1;
 FIG. 3 is a back interior view of the design illustrated in FIG. 1;
 FIG. 4 is a left side view of the design illustrated in FIG. 1;
 FIG. 5 is a right side view of the design illustrated in FIG. 1;
 FIG. 6 is a top view of the design illustrated in FIG. 1;
 FIG. 7 is a bottom view of the design illustrated in FIG. 1;
 FIG. 8 is a detail view taken from the front exterior perspective view of FIG. 1; and
 FIG. 9 is a front exploded perspective view of the design illustrated in FIG. 1.

1 Claim, 8 Drawing Sheets



(56)

References Cited

U.S. PATENT DOCUMENTS

2012/0244515 A1* 9/2012 Yang A63B 71/06
434/409
2017/0004744 A1* 1/2017 Carter G09F 7/18

* cited by examiner

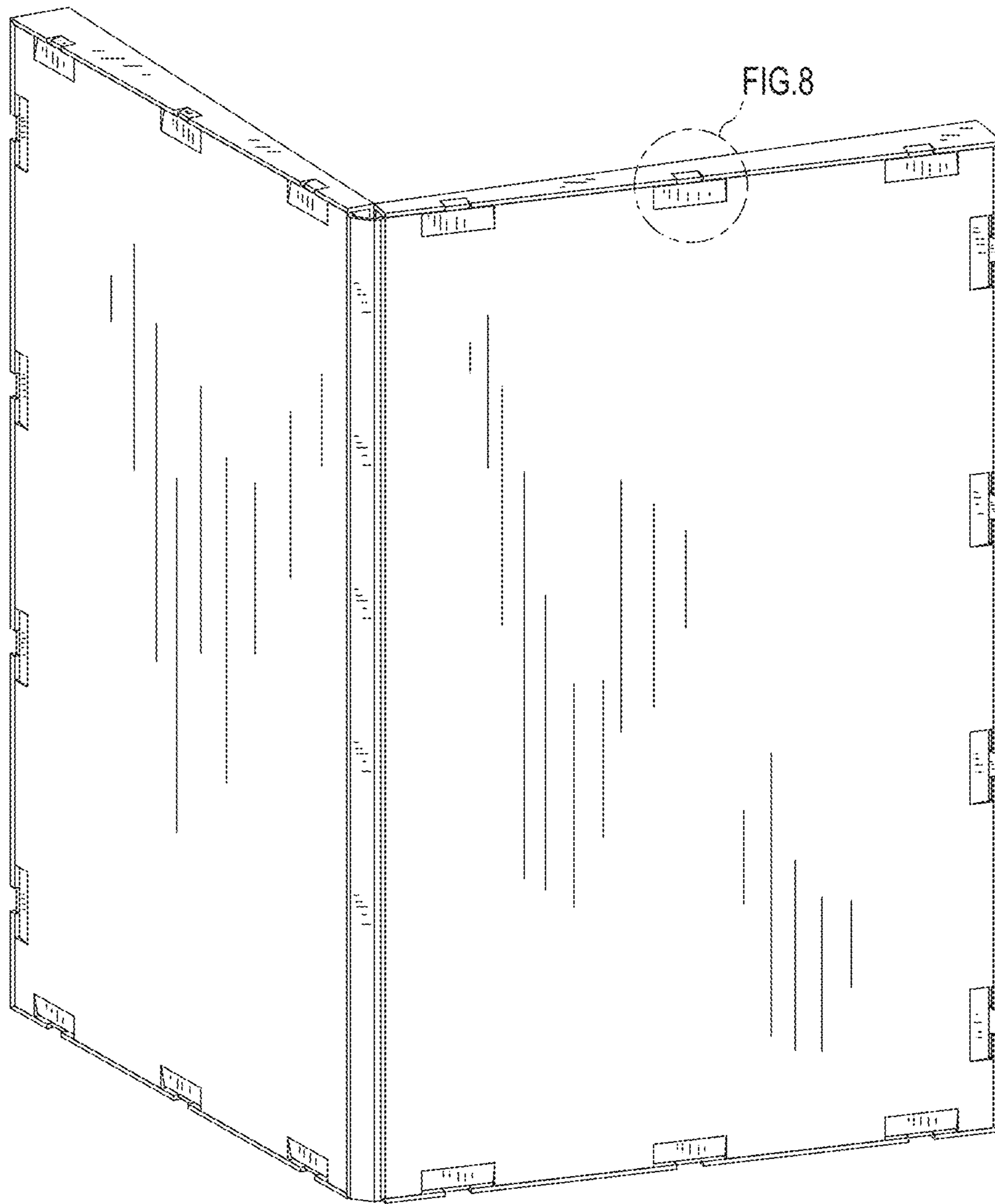


FIG. 1

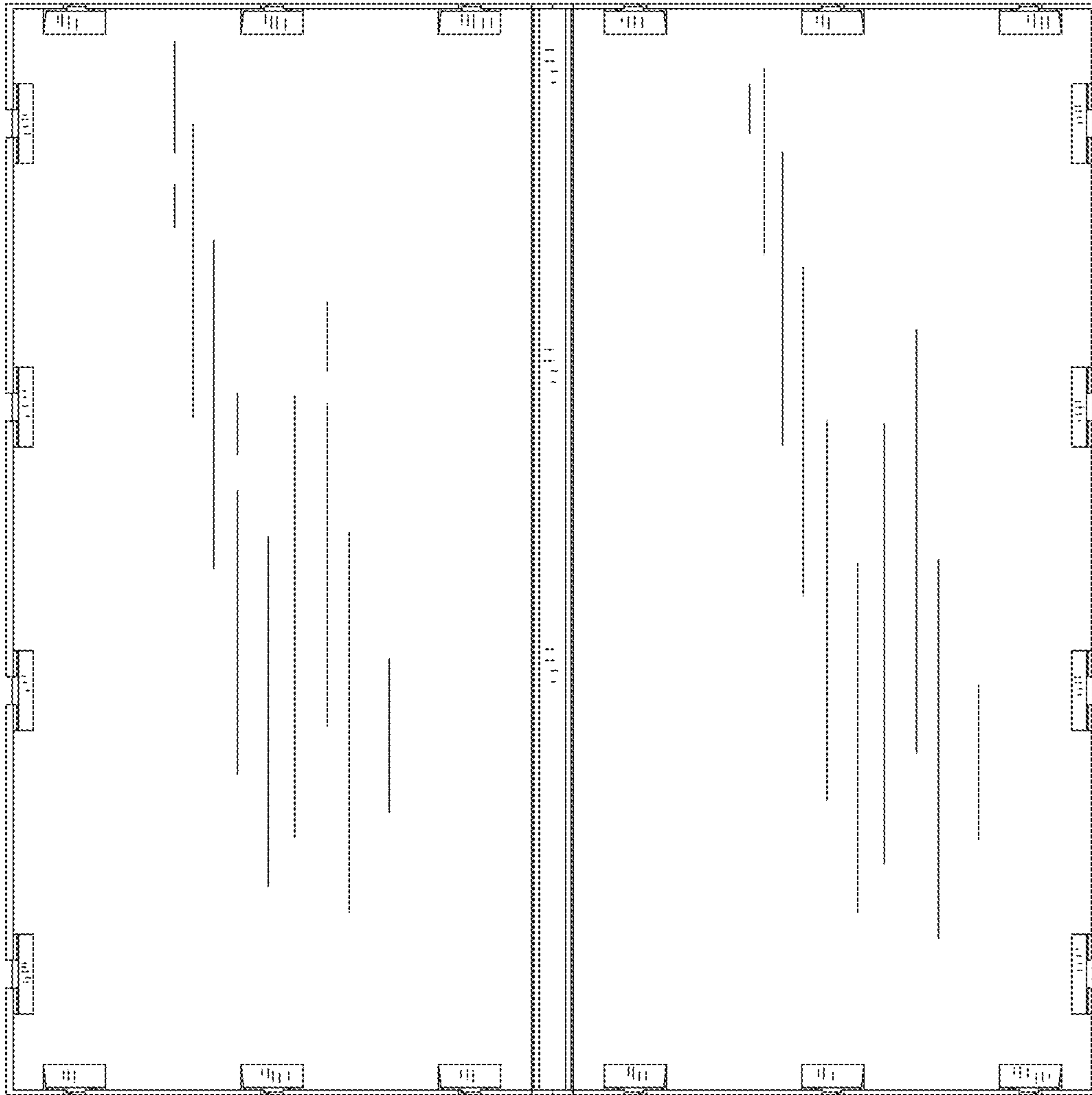


FIG.2

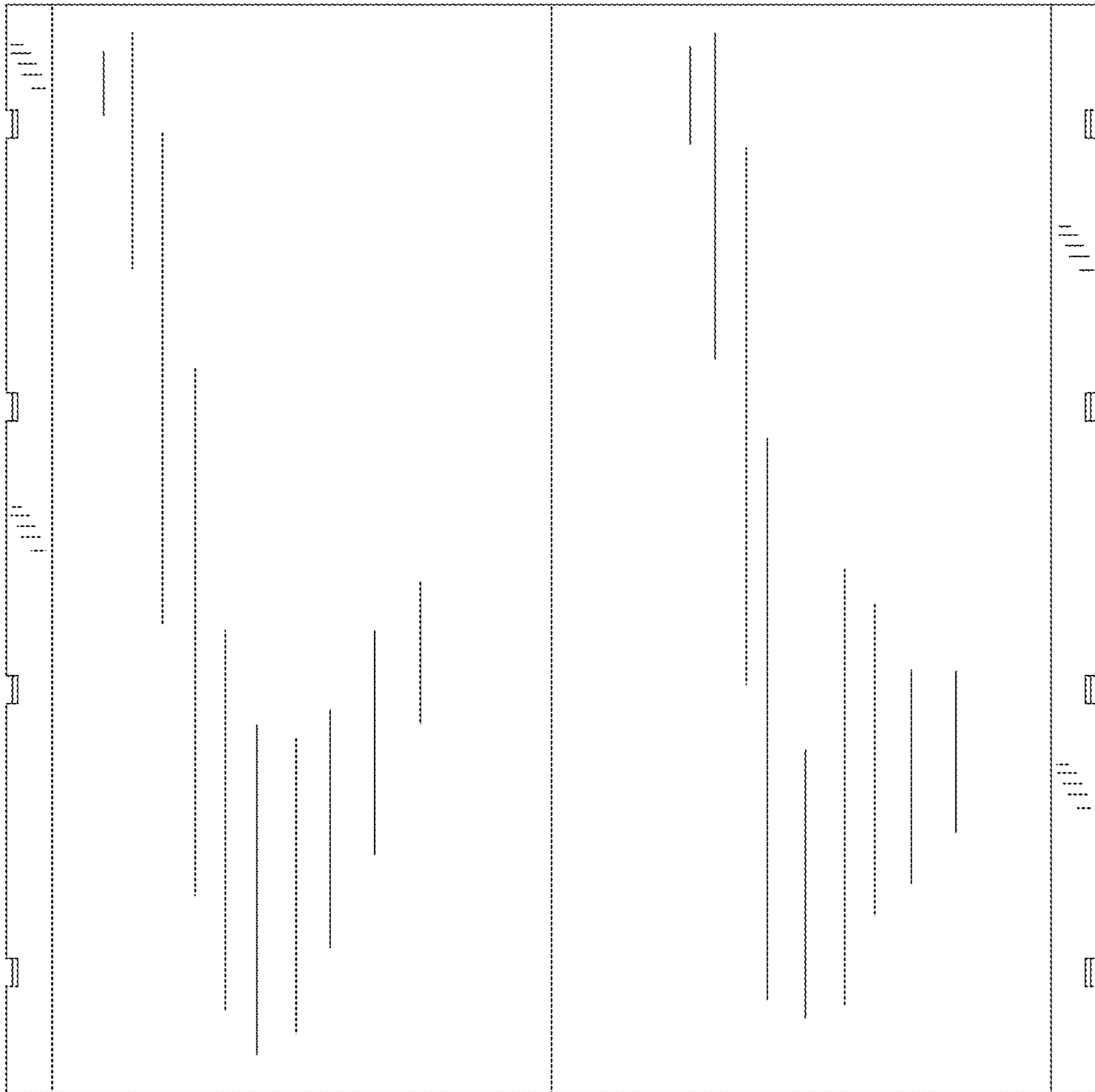


FIG. 3

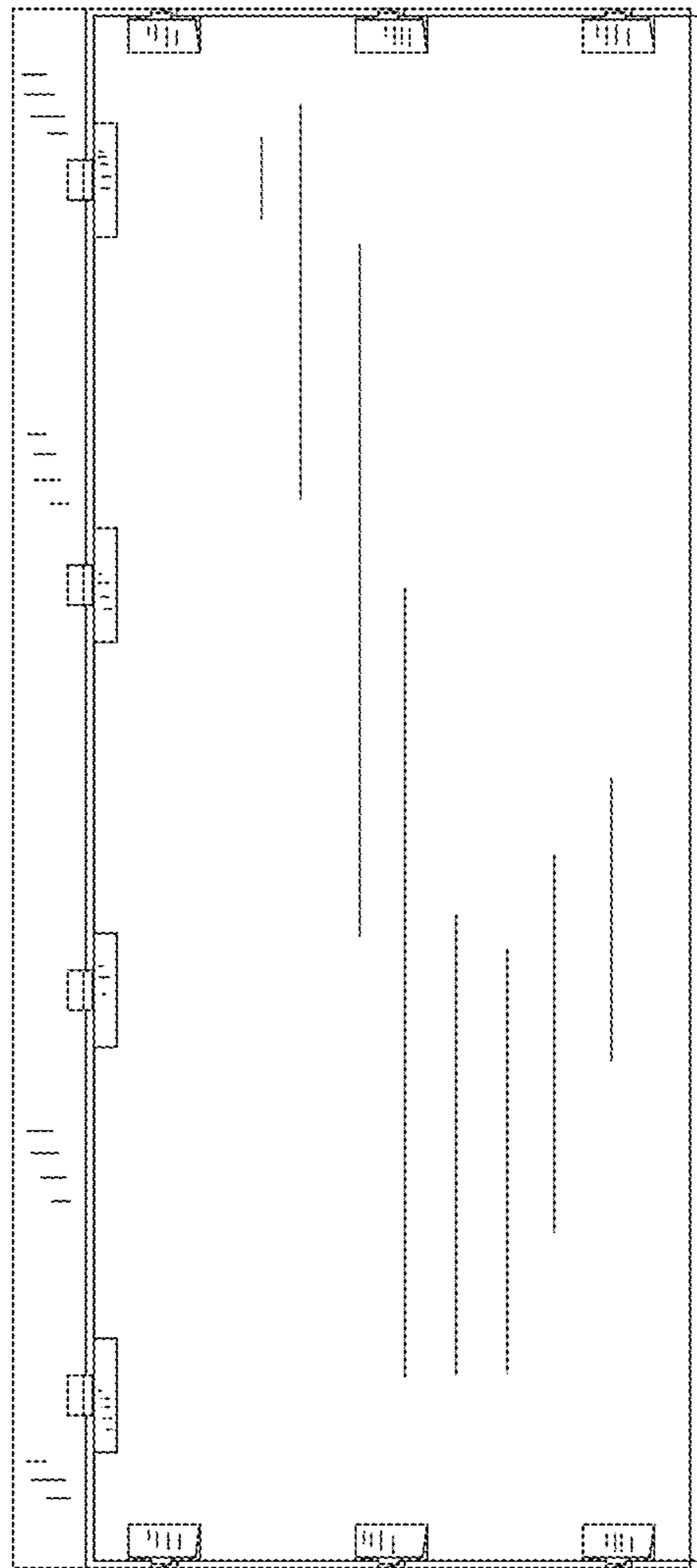


FIG.4

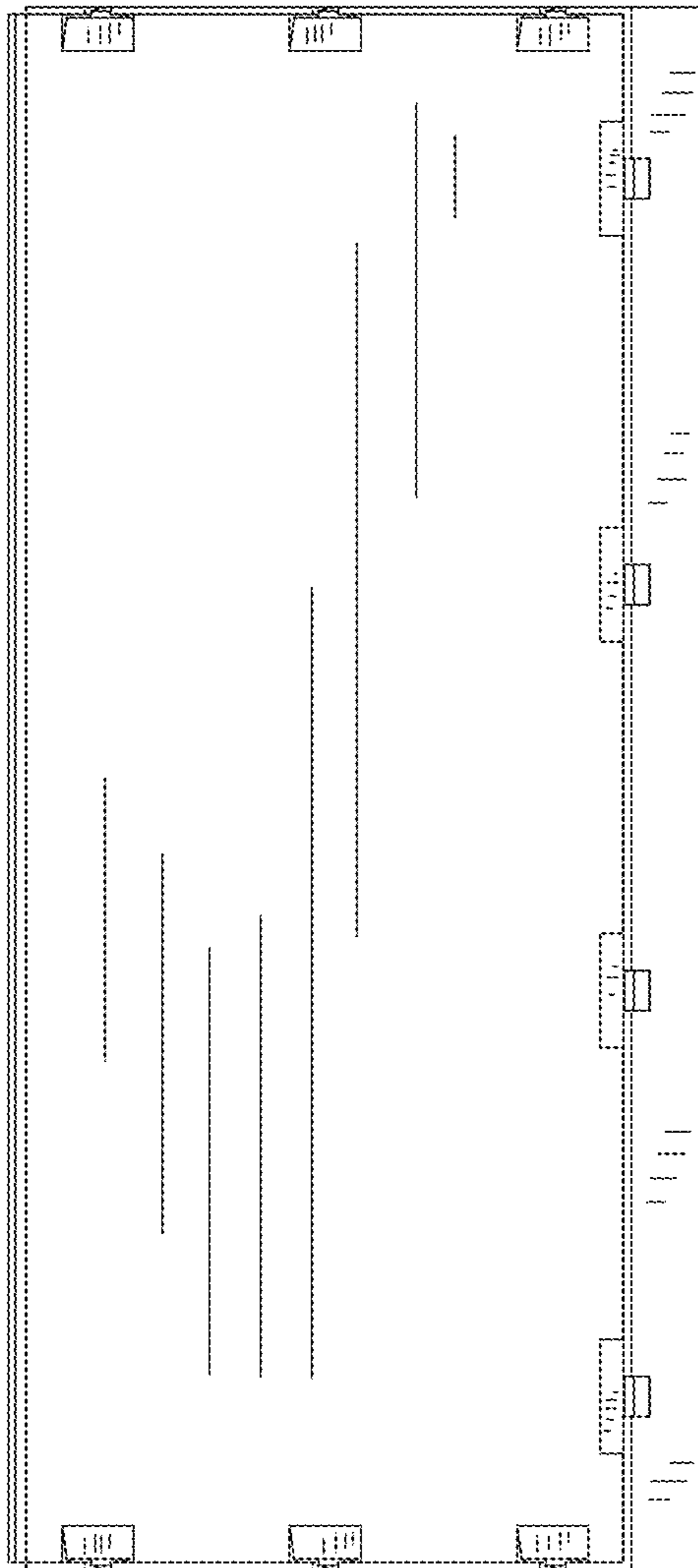


FIG.5

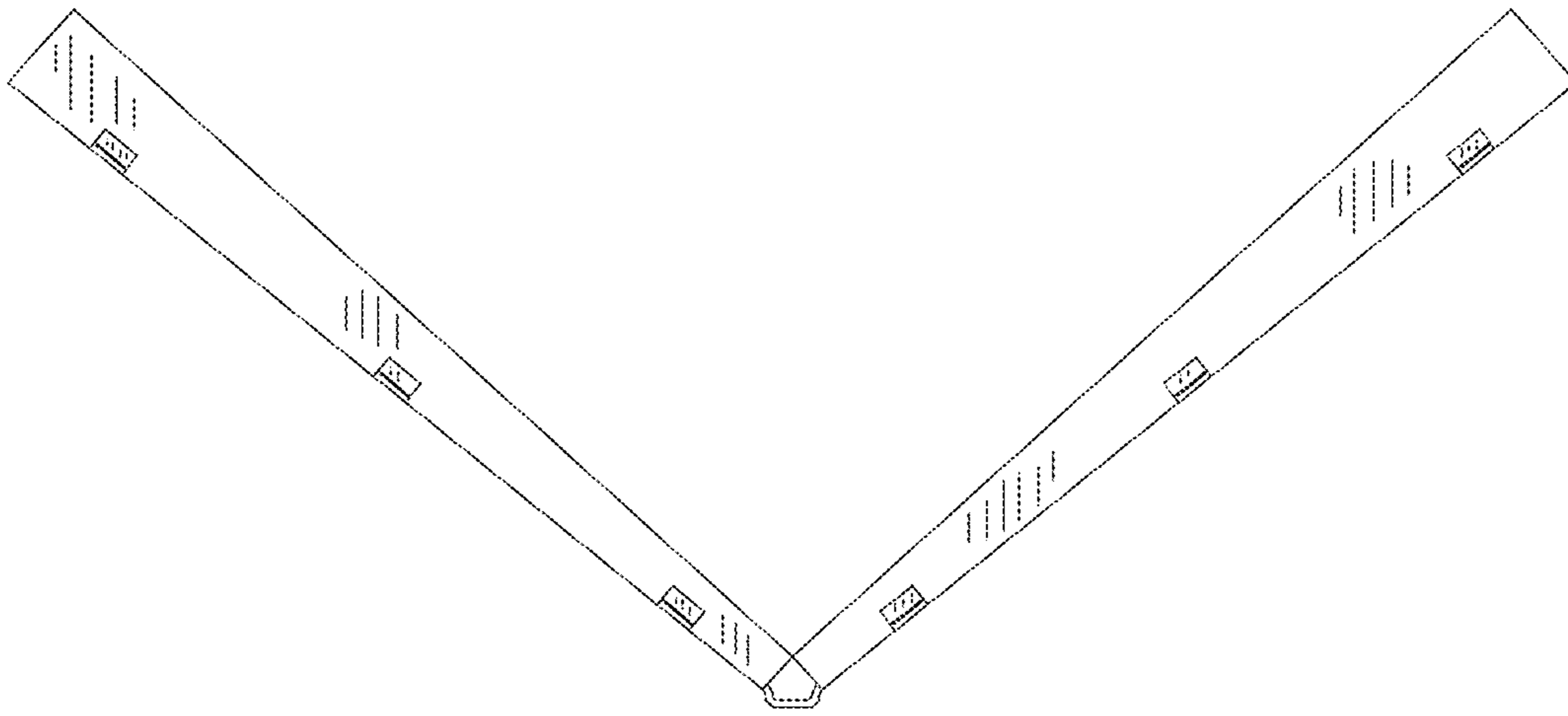


FIG. 6

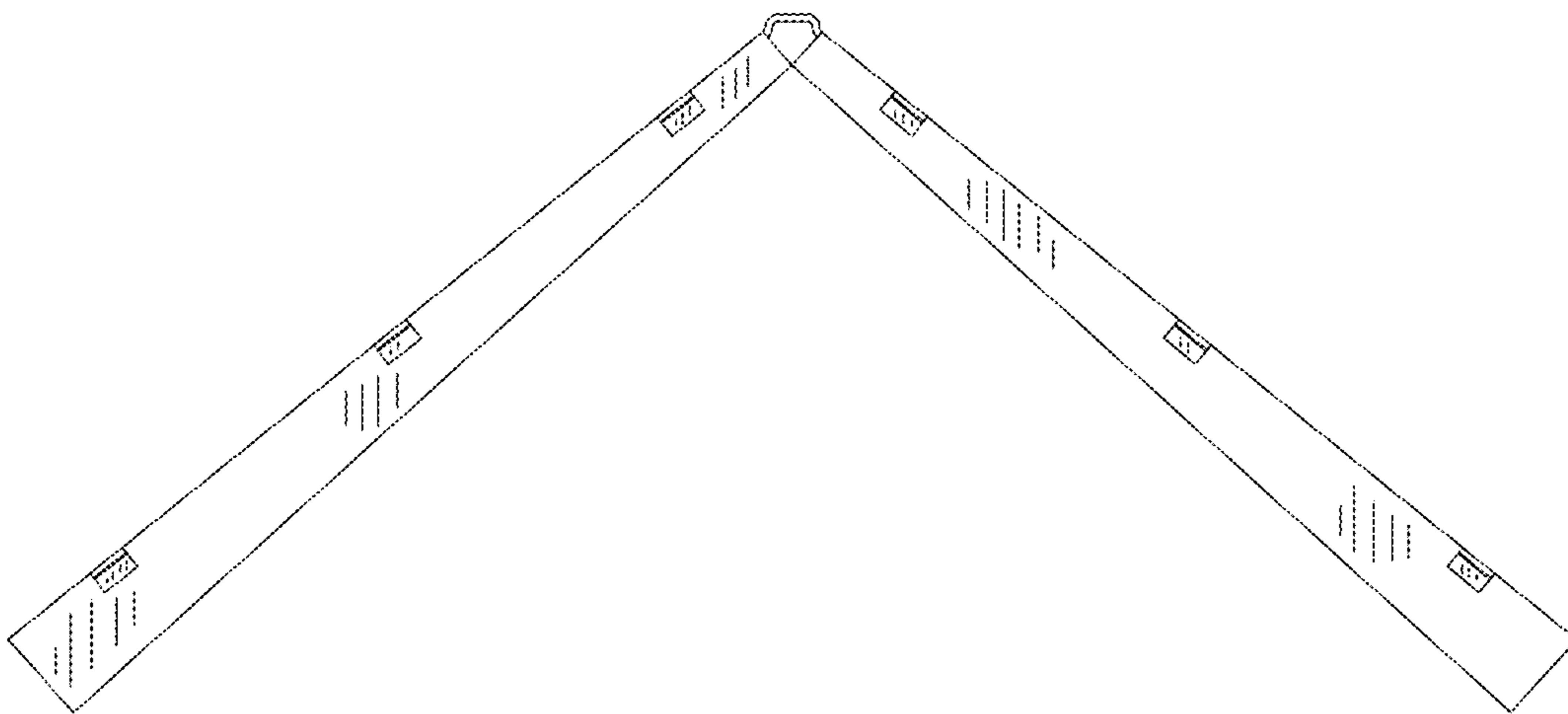


FIG. 7

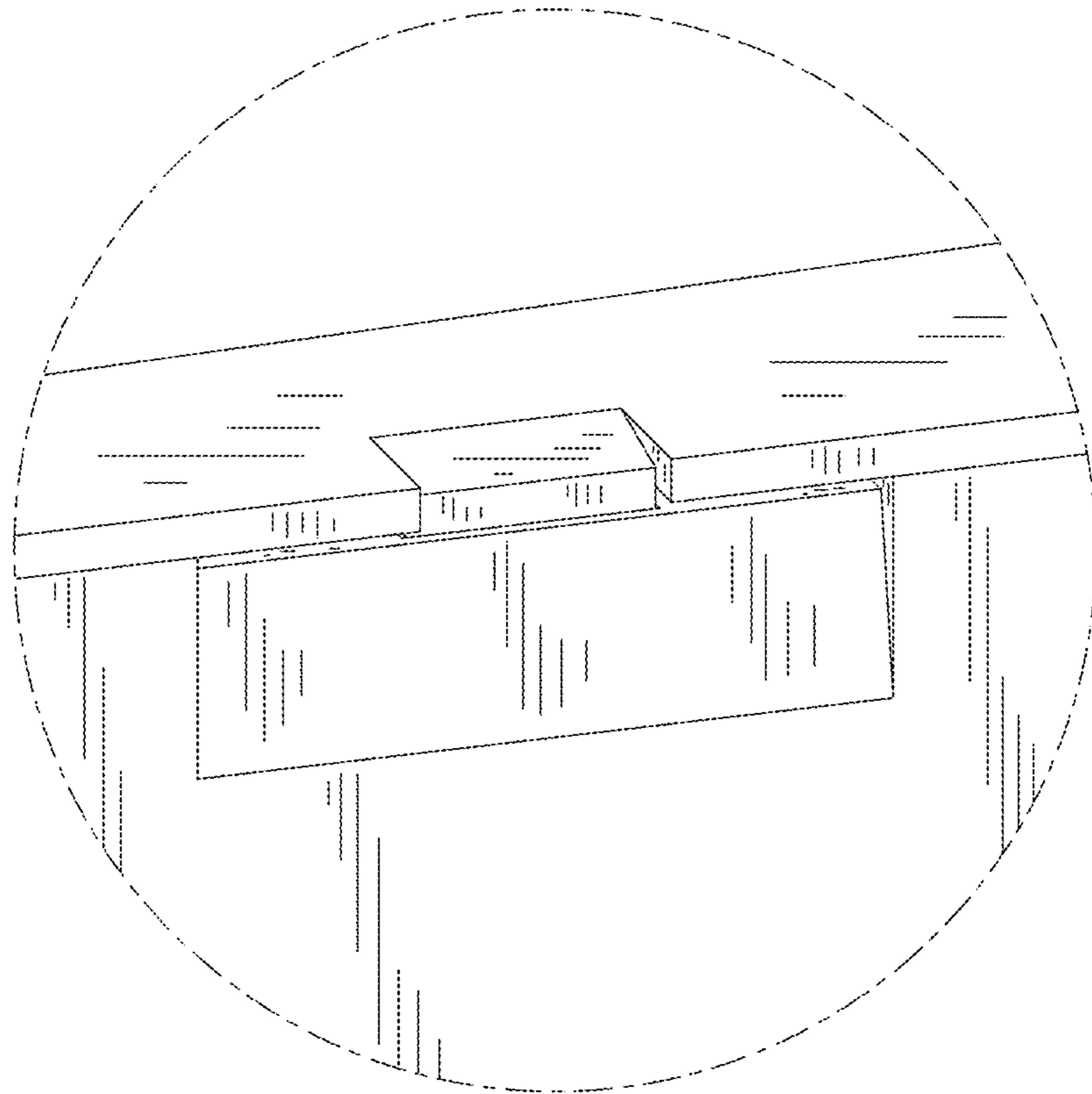


FIG. 8

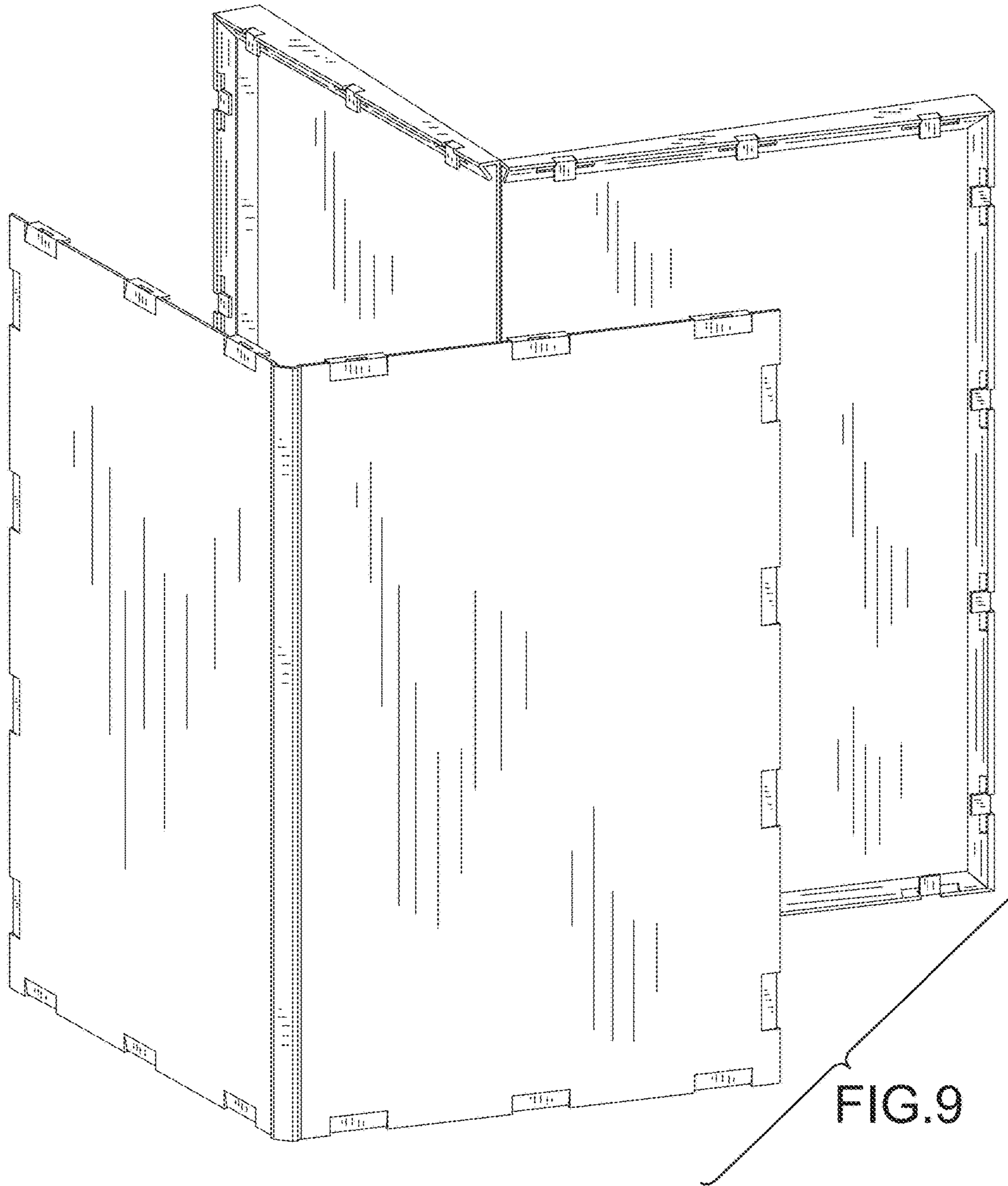


FIG. 9