

US00D805583S

(12) **United States Design Patent**
Melnick

(10) **Patent No.:** **US D805,583 S**

(45) **Date of Patent:** **** Dec. 19, 2017**

(54) **STORAGE CONTAINER**

(71) Applicant: **Deborah L. Melnick**, Sparks, MD (US)

(72) Inventor: **Deborah L. Melnick**, Sparks, MD (US)

(**) Term: **15 Years**

(21) Appl. No.: **29/582,525**

(22) Filed: **Oct. 28, 2016**

Related U.S. Application Data

(62) Division of application No. 29/544,959, filed on Nov. 9, 2015, now Pat. No. Des. 773,558.

(51) **LOC (10) Cl.** **19-02**

(52) **U.S. Cl.**
USPC **D19/90**

(58) **Field of Classification Search**
USPC D6/512-514, 552-553, 566, 567, 570,
D6/598, 651.1, 675, 675.4, 683, 683.1,
D6/705; D9/432; D19/26-31, 75, 77,
D19/85-92; D3/304
CPC A47B 63/00; A47B 23/044; A47B 47/02;
A47B 55/00; A47B 55/02; A47B 87/007;
A47B 87/02; B42F 7/145; B42F 17/12
See application file for complete search history.

(56) **References Cited**

U.S. PATENT DOCUMENTS

- D205,970 S * 10/1966 Leifield D9/414
- 3,583,625 A * 6/1971 Gero B65D 5/721
206/264
- 3,728,002 A * 4/1973 Zacks A47B 43/02
229/125.08
- D266,129 S * 9/1982 Lidstrom D19/90
- 4,365,712 A * 12/1982 Oishi G11B 23/0233
206/387.1
- D275,654 S * 9/1984 Yoshizawa D6/627
- 4,534,463 A * 8/1985 Bouchard B65D 5/38
206/267

- D297,849 S * 9/1988 Johnson D19/90
- 4,911,298 A * 3/1990 Miyagawa G11B 23/0233
206/387.1
- D309,570 S * 7/1990 Kinoshita D9/418
- D319,587 S * 9/1991 Lee D9/432
- D342,026 S * 12/1993 Cross D19/86
- 5,415,288 A * 5/1995 Ozaki G11B 23/0233
206/387.1
- D381,266 S * 7/1997 Genma D9/432
- D381,368 S * 7/1997 Logan D19/90
- D418,443 S * 1/2000 Wieck D11/81
- D593,409 S * 6/2009 Blick D27/189
- D608,635 S * 1/2010 Blick D9/711
- 7,866,466 B2 * 1/2011 Rose B65D 85/1036
206/267
- D634,570 S * 3/2011 Lin D6/703.4
- D668,540 S * 10/2012 Lutzig D9/432
- D690,708 S * 10/2013 Smith D14/447
- D728,257 S * 5/2015 Nagel D6/515
- D782,573 S * 3/2017 The Losen D19/90
- D782,574 S * 3/2017 The Losen D19/90

* cited by examiner

Primary Examiner — Elizabeth Albert
(74) *Attorney, Agent, or Firm* — Massina Pat. & TM Law PLLC

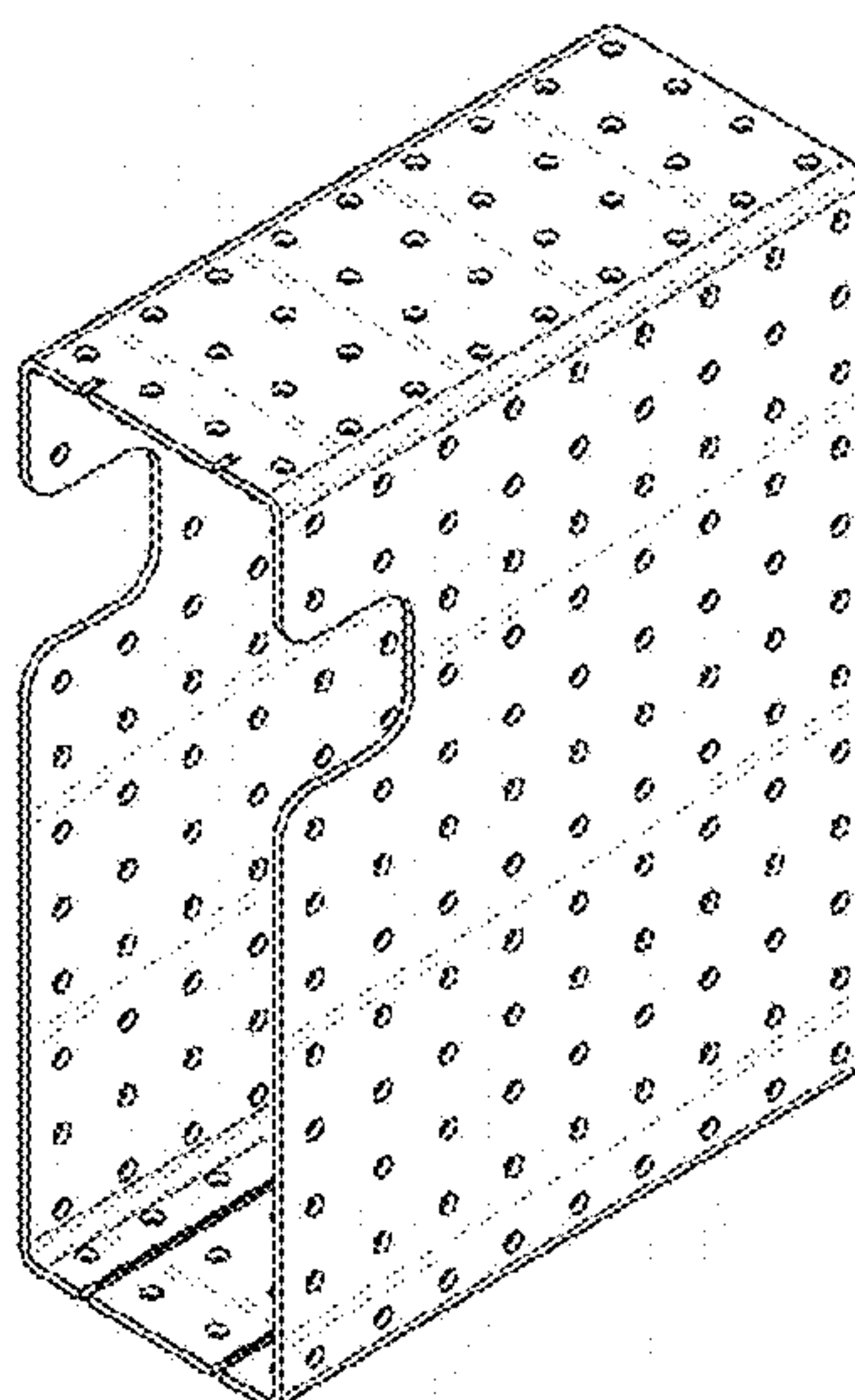
(57) **CLAIM**

The ornamental design for a storage container, as shown and described.

DESCRIPTION

FIG. 1 is an isometric view of a storage container according to the present invention.
FIG. 2 is a front elevation view of FIG. 1.
FIG. 3 is a rear elevation view of FIG. 1.
FIG. 4 is a left side view of FIG. 1.
FIG. 5 is a right side view of FIG. 1.
FIG. 6 is a top plan view of FIG. 1; and,
FIG. 7 is a bottom plan view of FIG. 1.

1 Claim, 7 Drawing Sheets



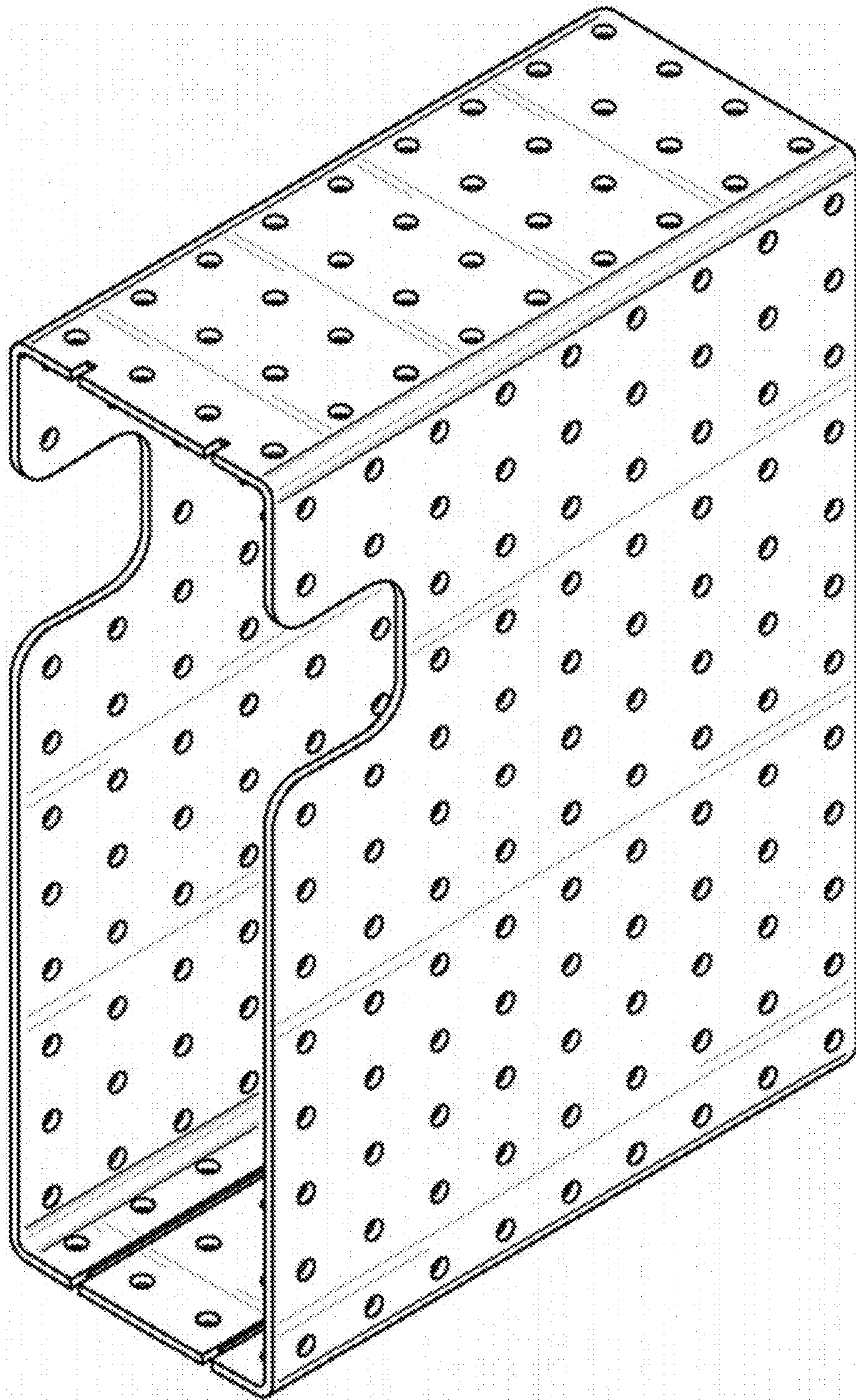


FIG. 1

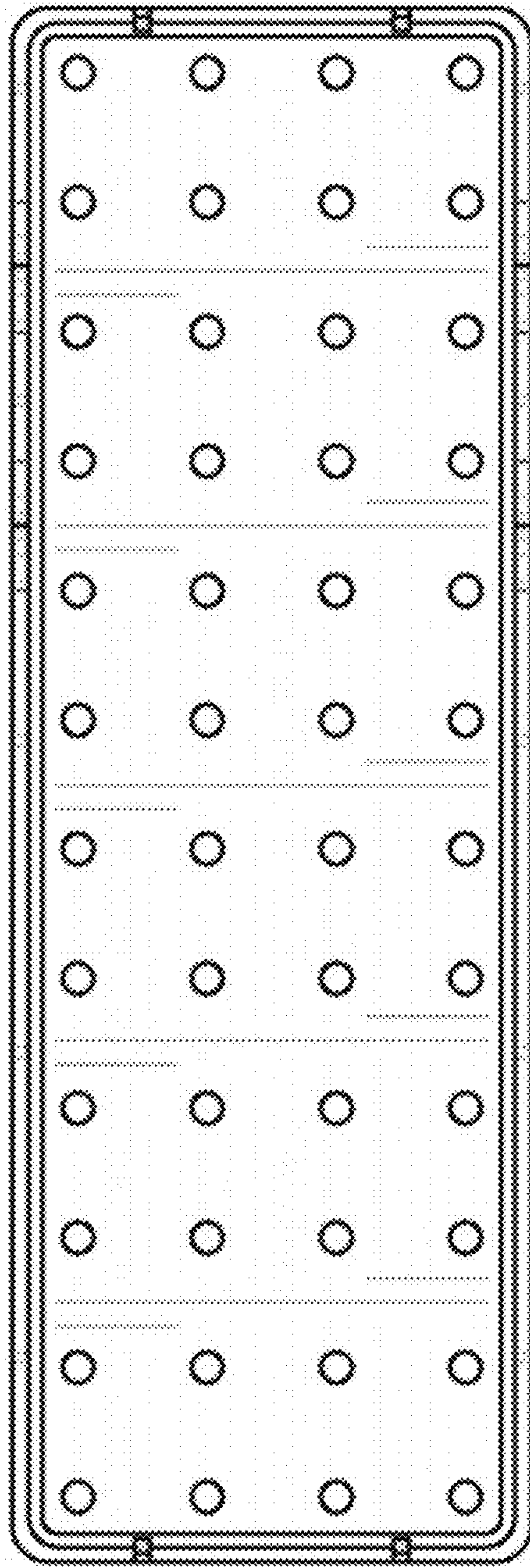


FIG. 2

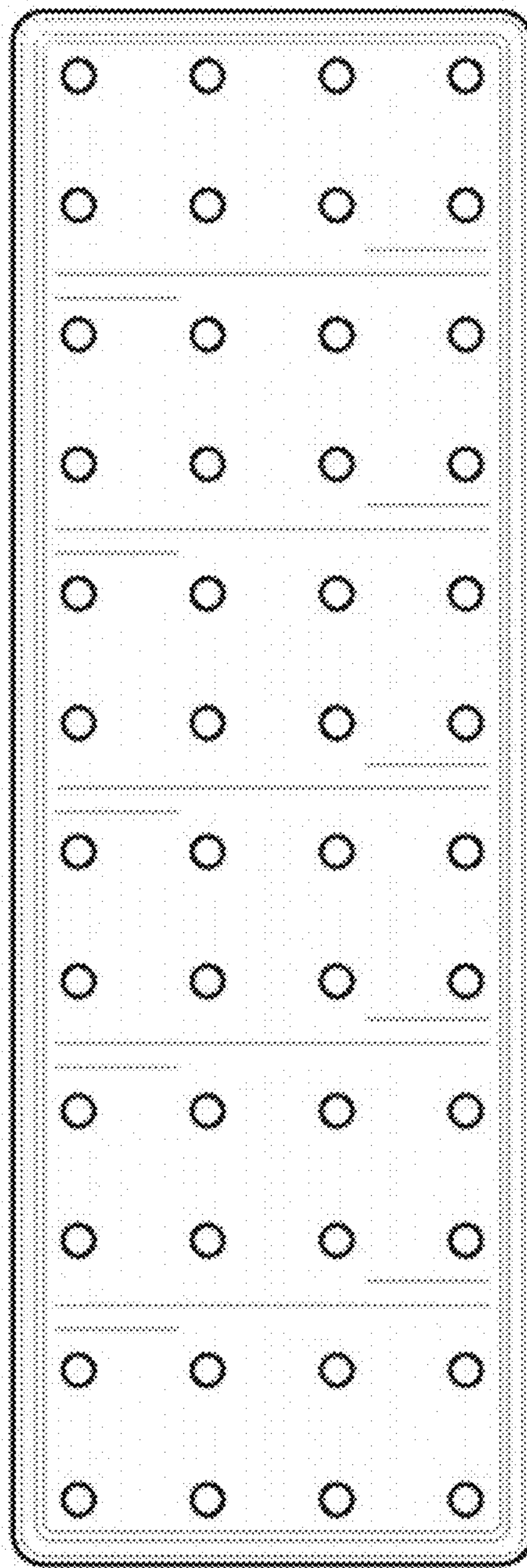


FIG. 3

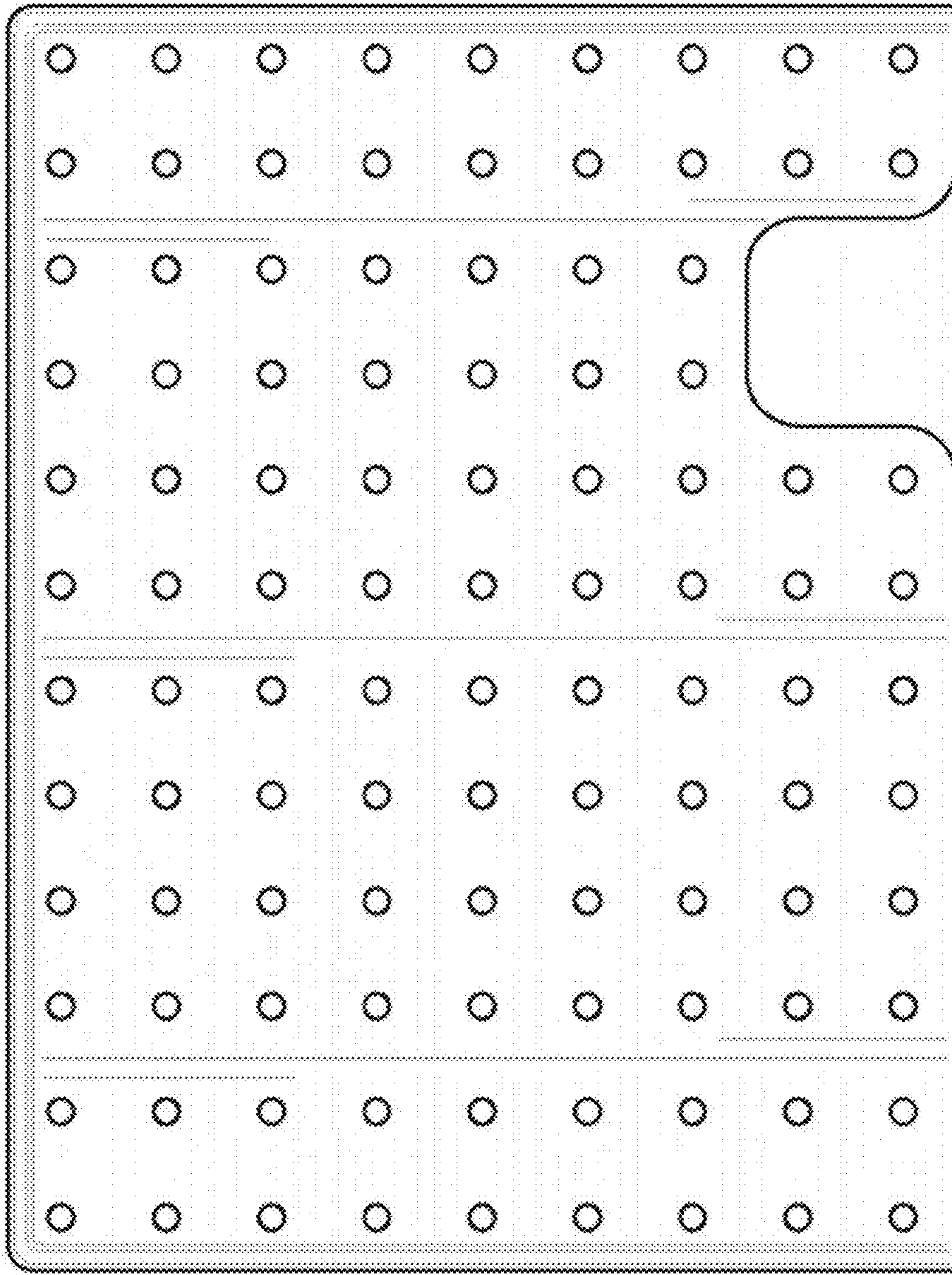


FIG. 4

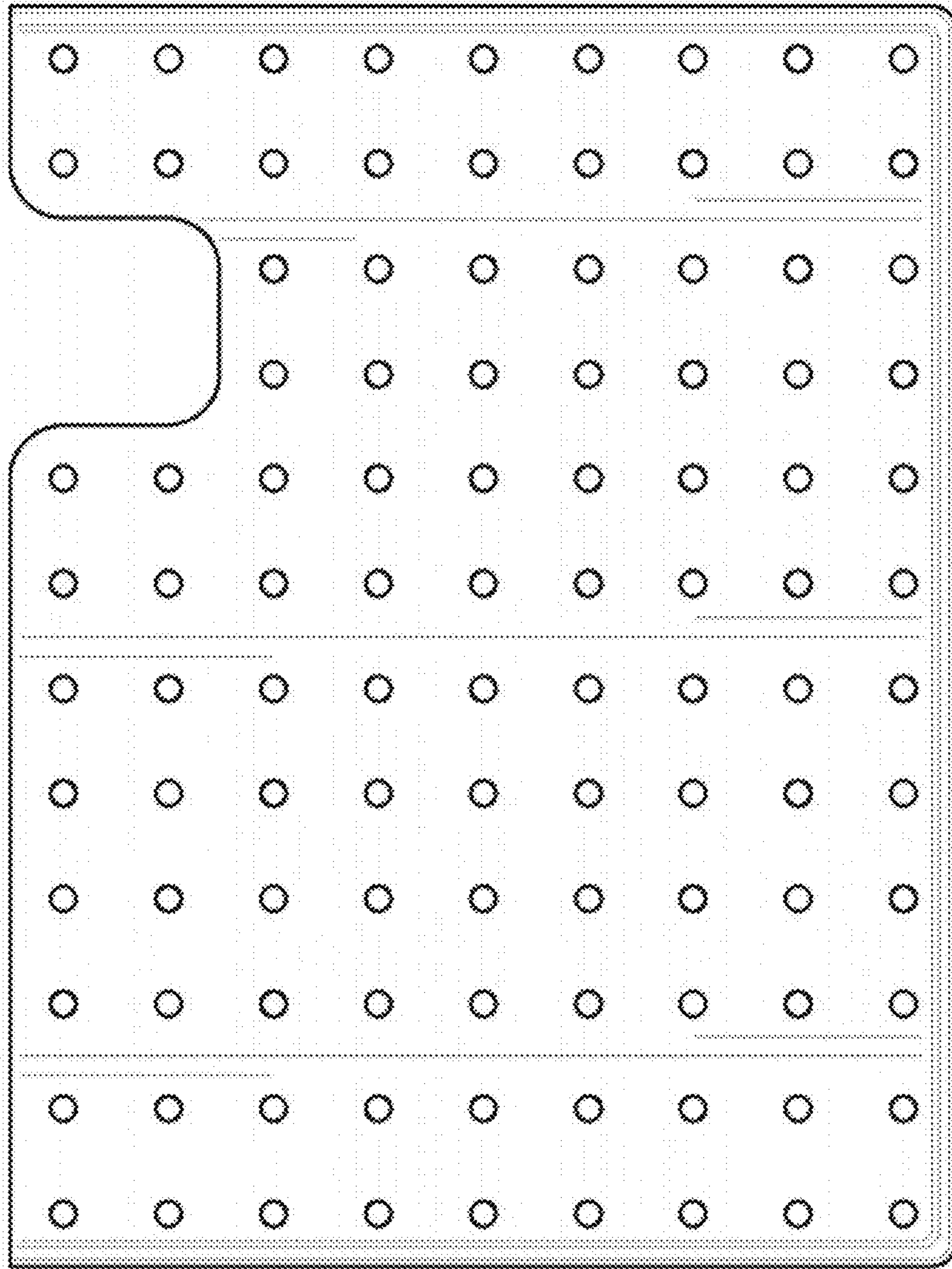


FIG. 5

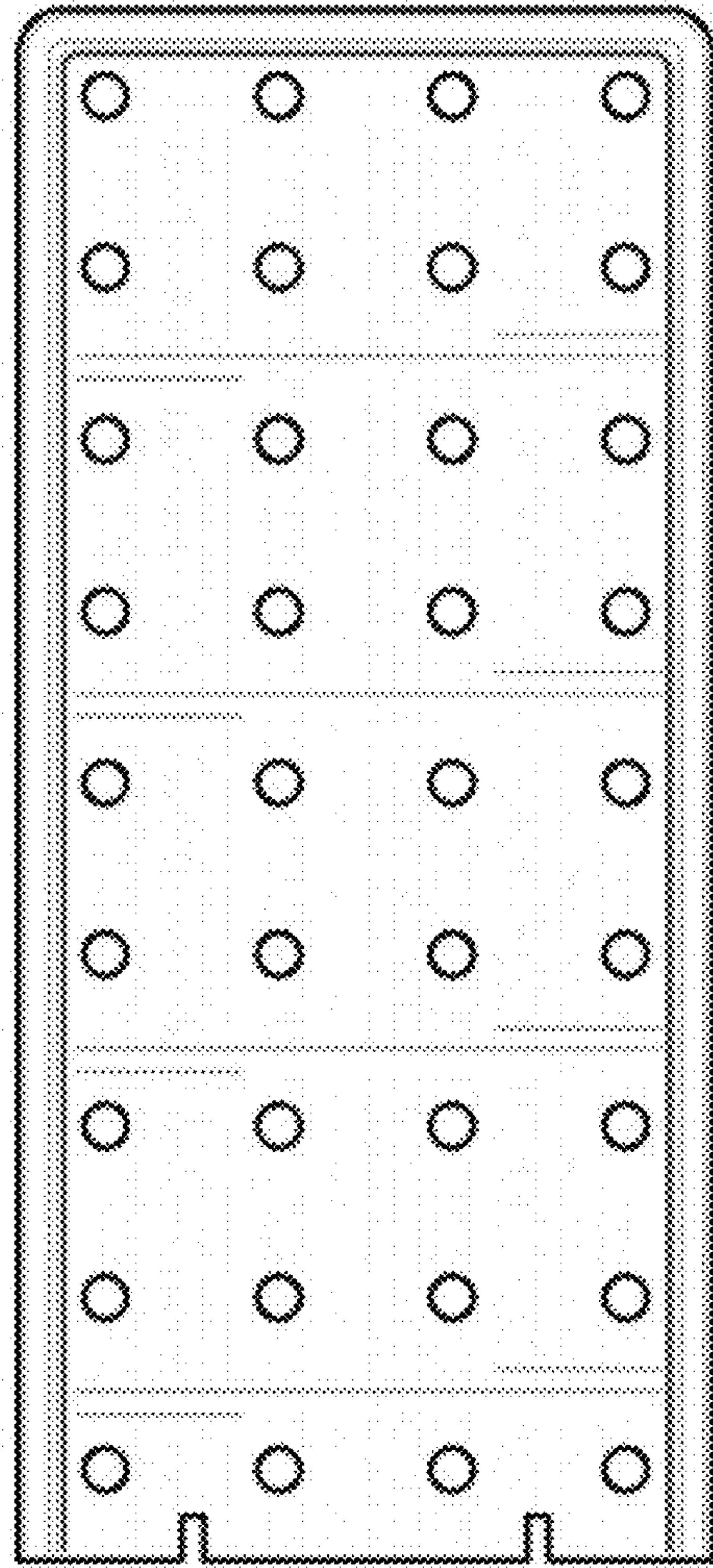


FIG. 6

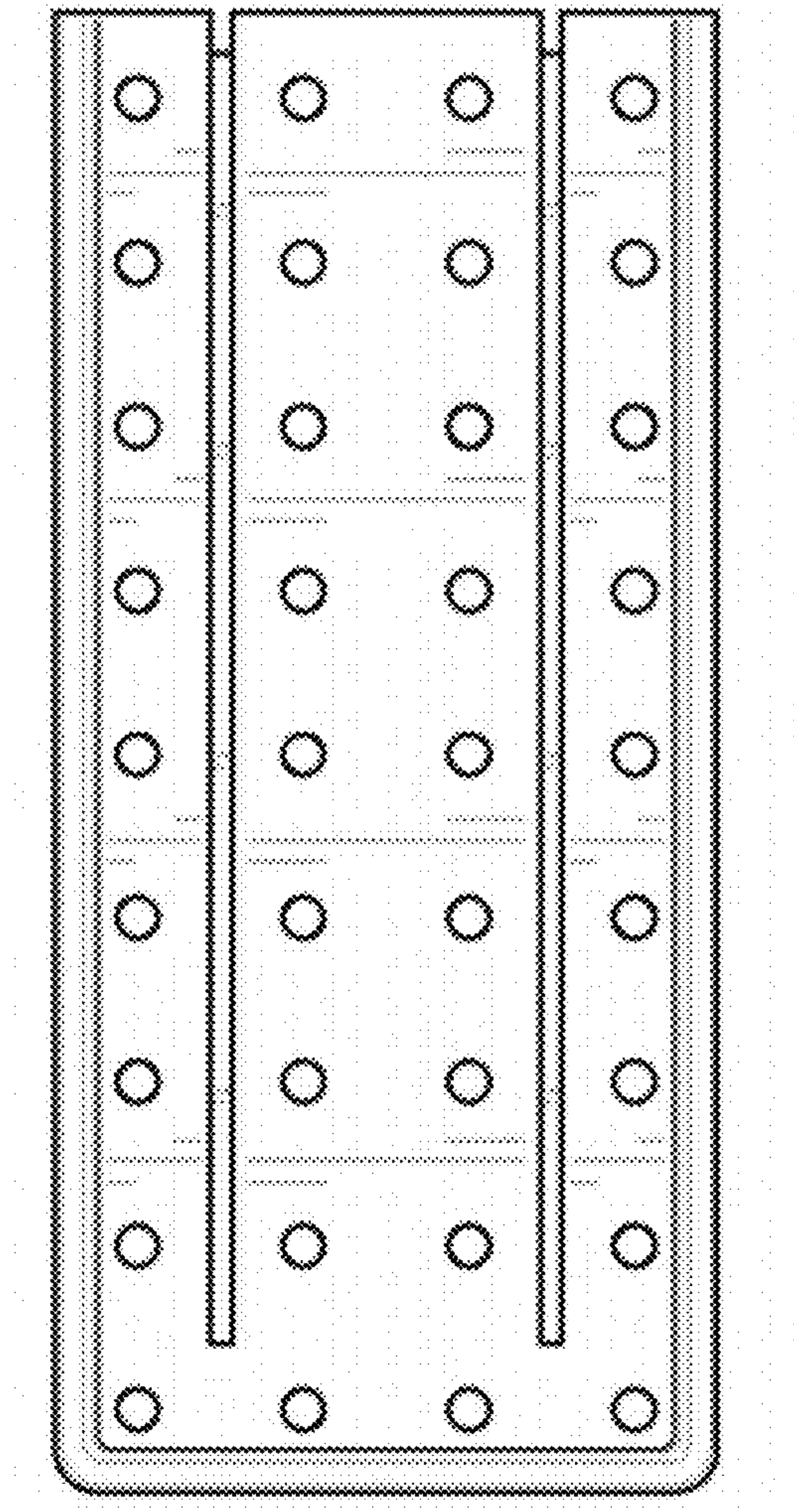


FIG. 7