



US00D805582S

(12) **United States Design Patent** (10) **Patent No.:** **US D805,582 S**
Melnick (45) **Date of Patent:** **** Dec. 19, 2017**

- (54) **STORAGE CONTAINER**
- (71) Applicant: **Deborah L. Melnick**, Sparks, MD (US)
- (72) Inventor: **Deborah L. Melnick**, Sparks, MD (US)
- (**) Term: **15 Years**
- (21) Appl. No.: **29/582,523**
- (22) Filed: **Oct. 28, 2016**

Related U.S. Application Data

- (62) Division of application No. 29/544,959, filed on Nov. 9, 2015, now Pat. No. Des. 773,558.
- (51) **LOC (10) Cl.** **19-02**
- (52) **U.S. Cl.**
USPC **D19/90**
- (58) **Field of Classification Search**
USPC D6/512-514, 552-553, 566, 567, 570,
D6/598, 651.1, 675, 675.4, 683, 683.1,
D6/705; D9/432; D19/26-31, 75, 77,
D19/85-92; D3/304
CPC A47B 63/00; A47B 23/044; A47B 47/02;
A47B 55/00; A47B 55/02; A47B 87/007;
A47B 87/02; B42F 7/145; B42F 17/12
See application file for complete search history.

(56) **References Cited**

U.S. PATENT DOCUMENTS

- 1,005,998 A * 10/1911 Munchausen B65D 21/086
211/88.01
- 2,404,065 A * 7/1946 Hill B65D 5/4295
206/521.1
- 3,379,315 A * 4/1968 Broadwin B01L 3/0217
211/189
- 3,389,666 A * 6/1968 Schultze-Bonatz .. A47B 47/042
108/101
- 3,436,137 A * 4/1969 Ranger A47B 47/0091
312/198

- 3,846,002 A * 11/1974 Floetotto A47B 47/04
312/107
- D243,908 S * 4/1977 Neff D30/104
- 4,795,351 A * 1/1989 Vermette G09B 19/00
434/258
- D348,345 S * 6/1994 Yoshikawa D3/307
- 5,435,728 A * 7/1995 Fula A63H 33/12
312/213
- 5,582,306 A * 12/1996 Balter A47B 61/00
211/105.1
- D418,443 S * 1/2000 Wieck D11/81
- D472,729 S * 4/2003 Udommahuntisuk D6/407
- D478,435 S * 8/2003 Brownfield D6/675
- RE38,836 E * 10/2005 Krause A47B 87/007
312/108
- D533,327 S * 12/2006 McCaskill D34/17
- D634,570 S * 3/2011 Lin D6/703.4
- 8,157,094 B2 * 4/2012 Schiessl B65D 21/0212
206/457
- D670,943 S * 11/2012 Hertaus D6/705
- D699,057 S * 2/2014 Price D6/675
- D707,547 S * 6/2014 Orgeldinger D3/304

(Continued)

Primary Examiner — Elizabeth Albert
(74) *Attorney, Agent, or Firm* — Massina Pat. & TM Law PLLC

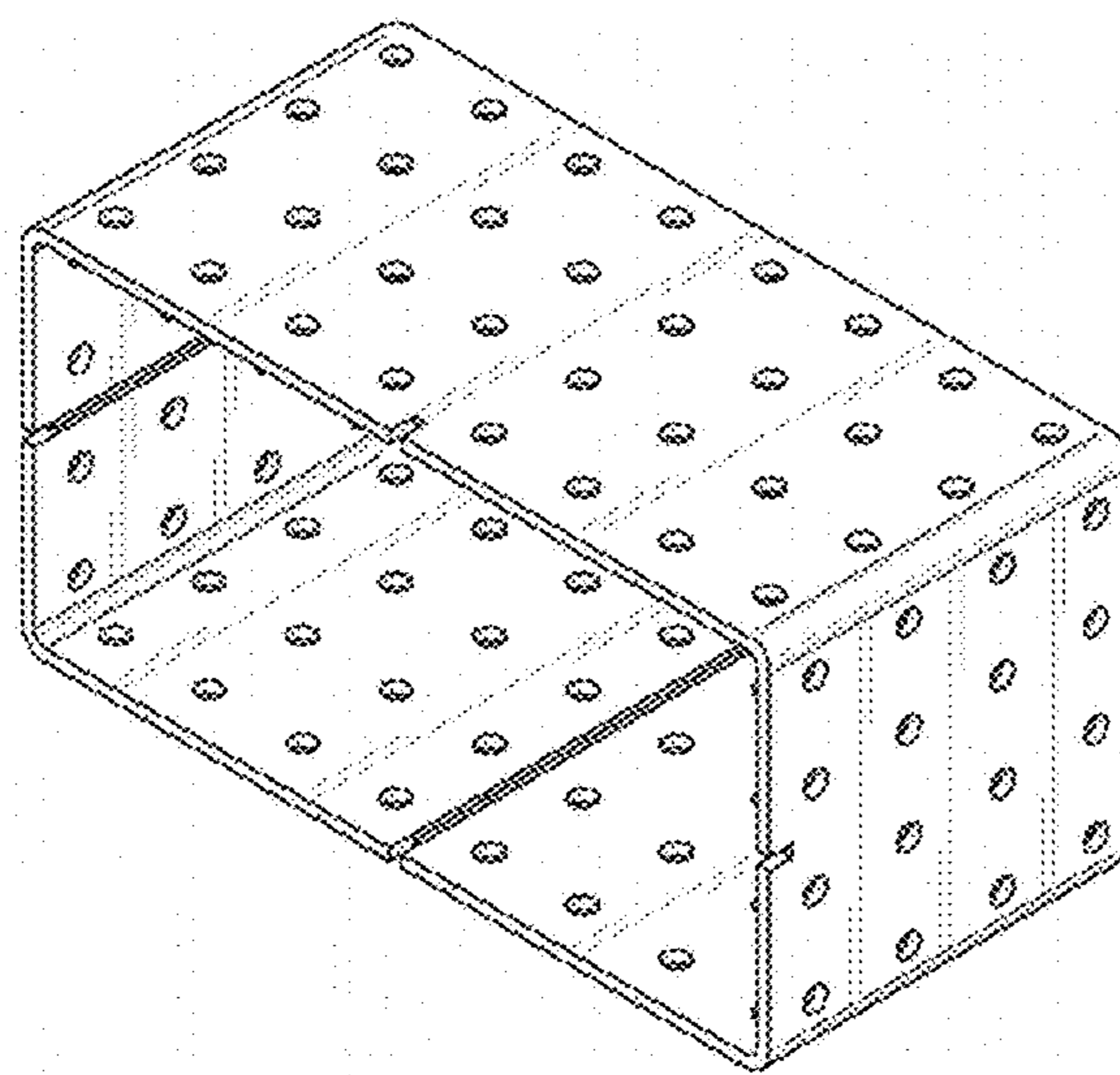
(57) **CLAIM**

The ornamental design for a storage container, as shown and described.

DESCRIPTION

FIG. 1 is an isometric view of a storage container according to the present invention.
FIG. 2 is a front elevation view of FIG. 1.
FIG. 3 is a rear elevation view of FIG. 1.
FIG. 4 is a left side view of FIG. 1.
FIG. 5 is a right side view of FIG. 1.
FIG. 6 is a top plan view of FIG. 1; and,
FIG. 7 is a bottom plan view of FIG. 1.

1 Claim, 7 Drawing Sheets



(56)

References Cited

U.S. PATENT DOCUMENTS

9,144,305 B1 * 9/2015 Collins, Jr. A47B 71/00
2013/0283587 A1 * 10/2013 Mehringer F16B 12/10
29/426.1

* cited by examiner

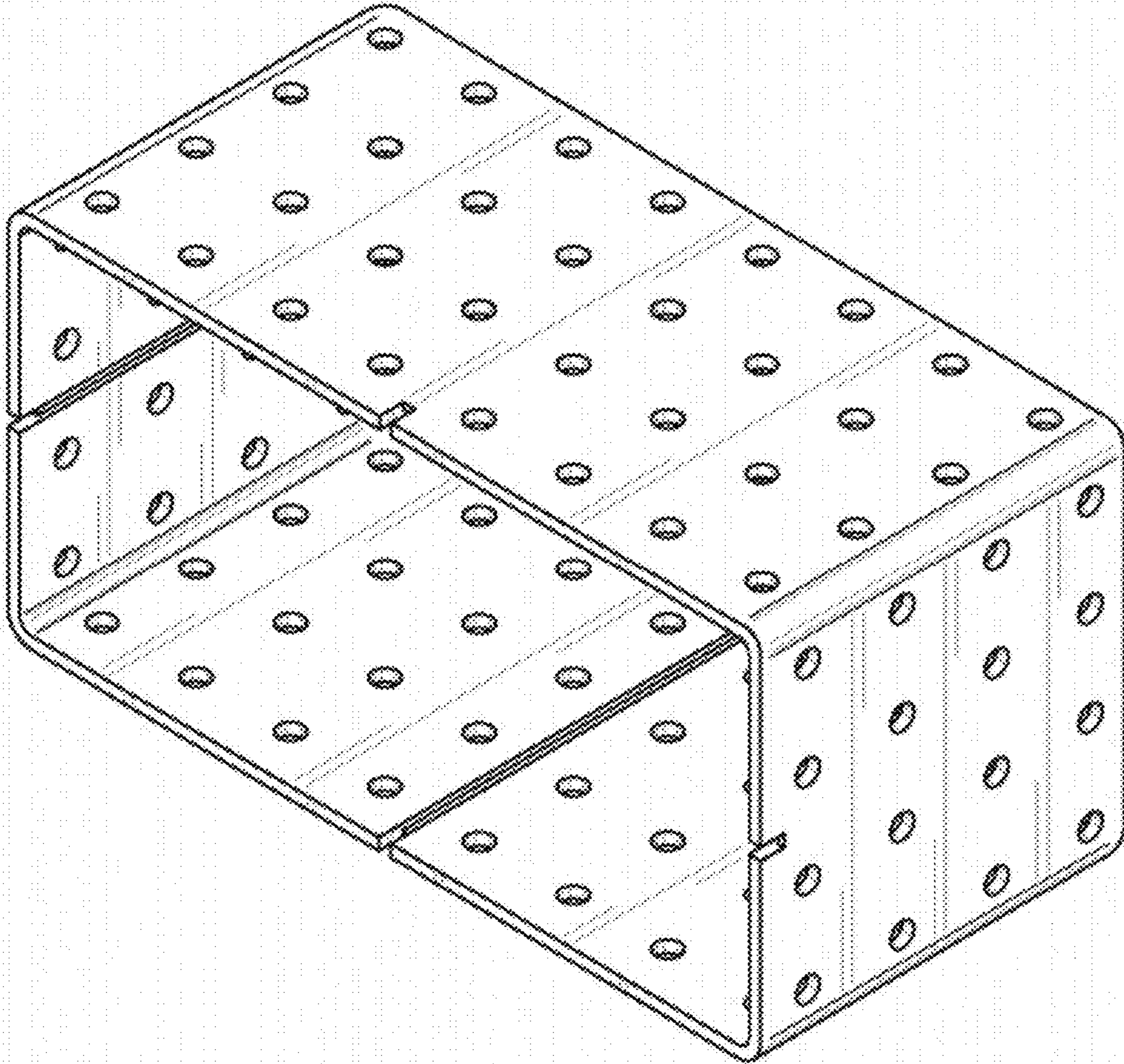


FIG. 1

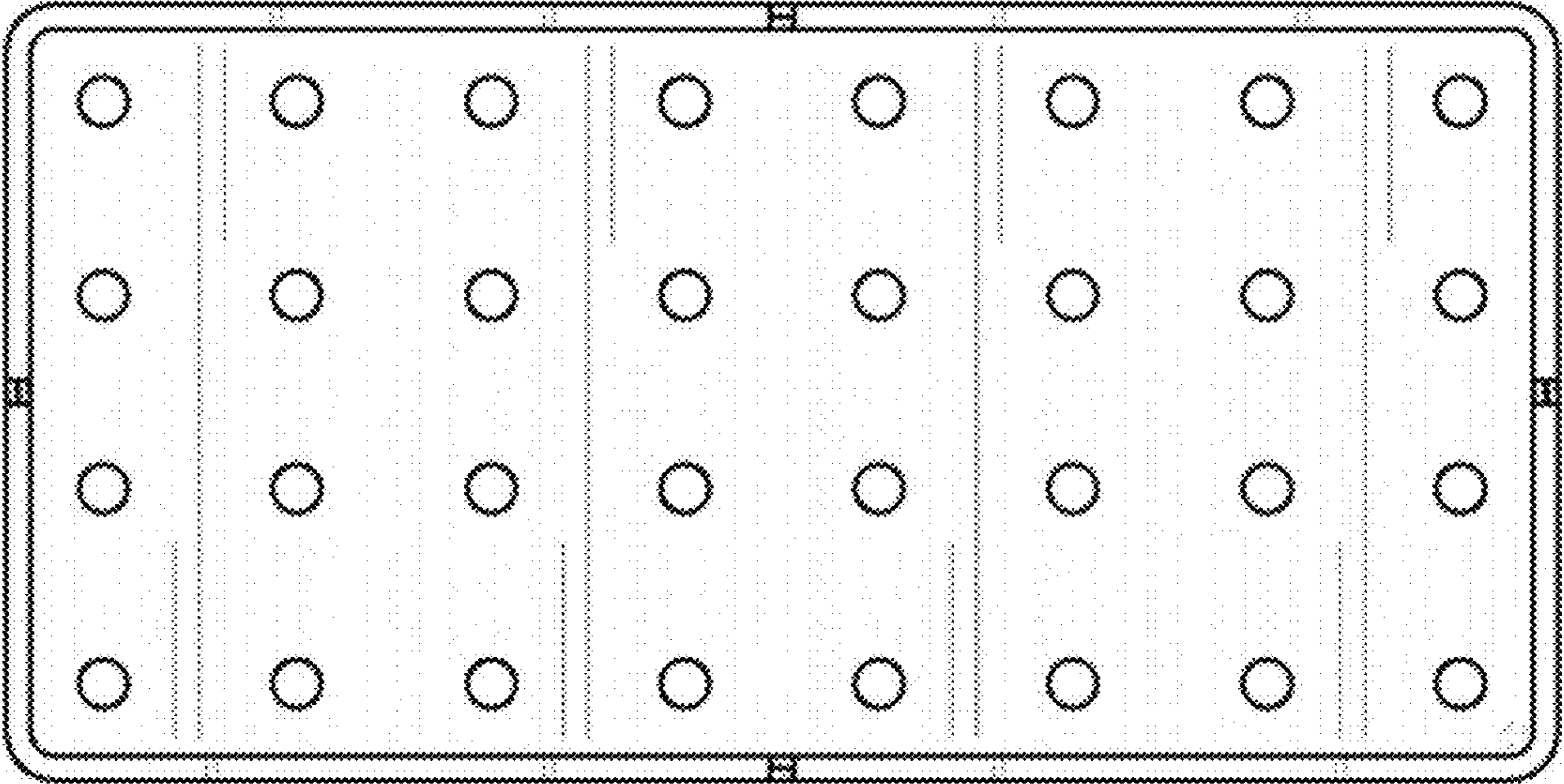


FIG. 2

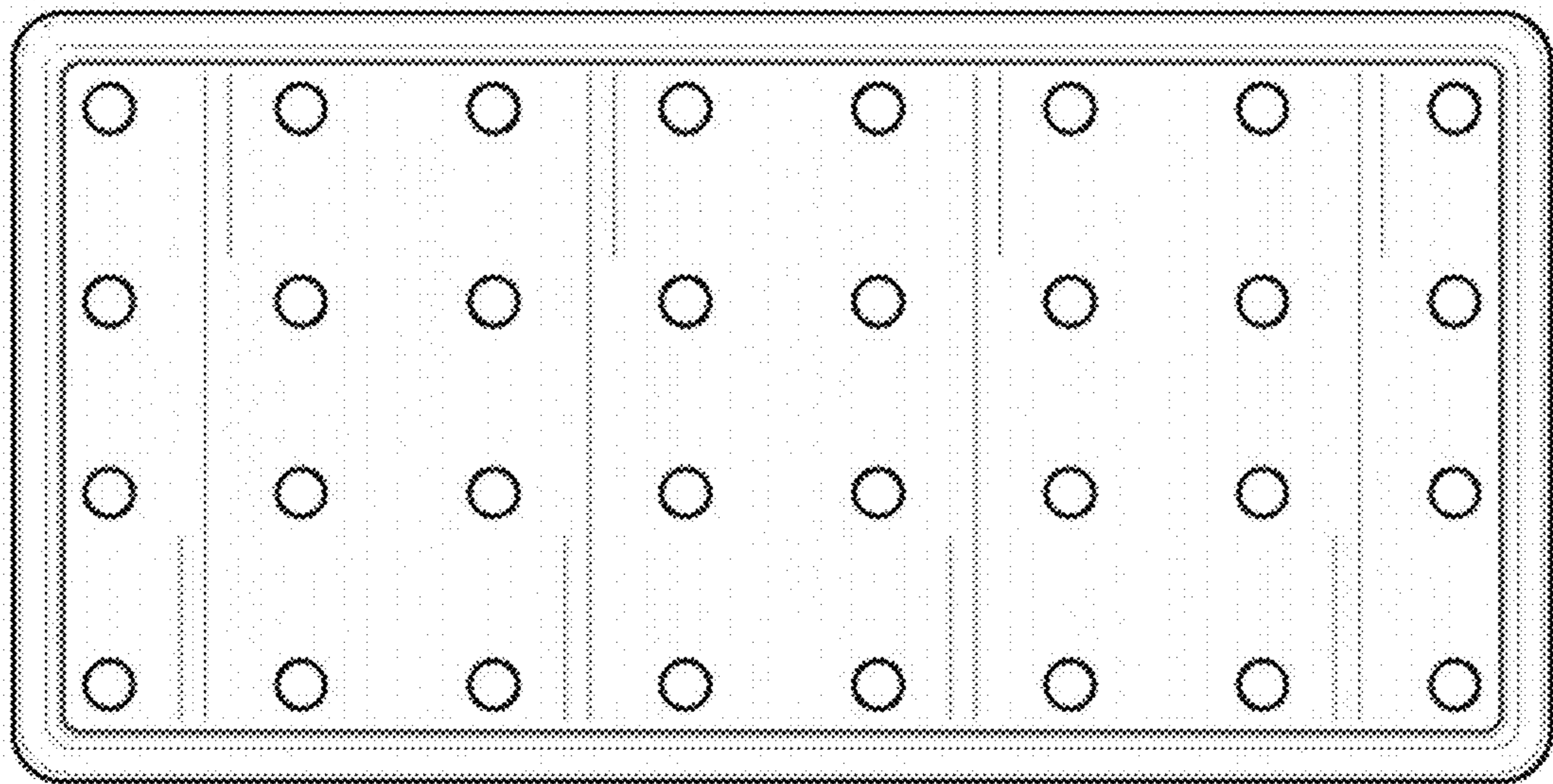


FIG. 3

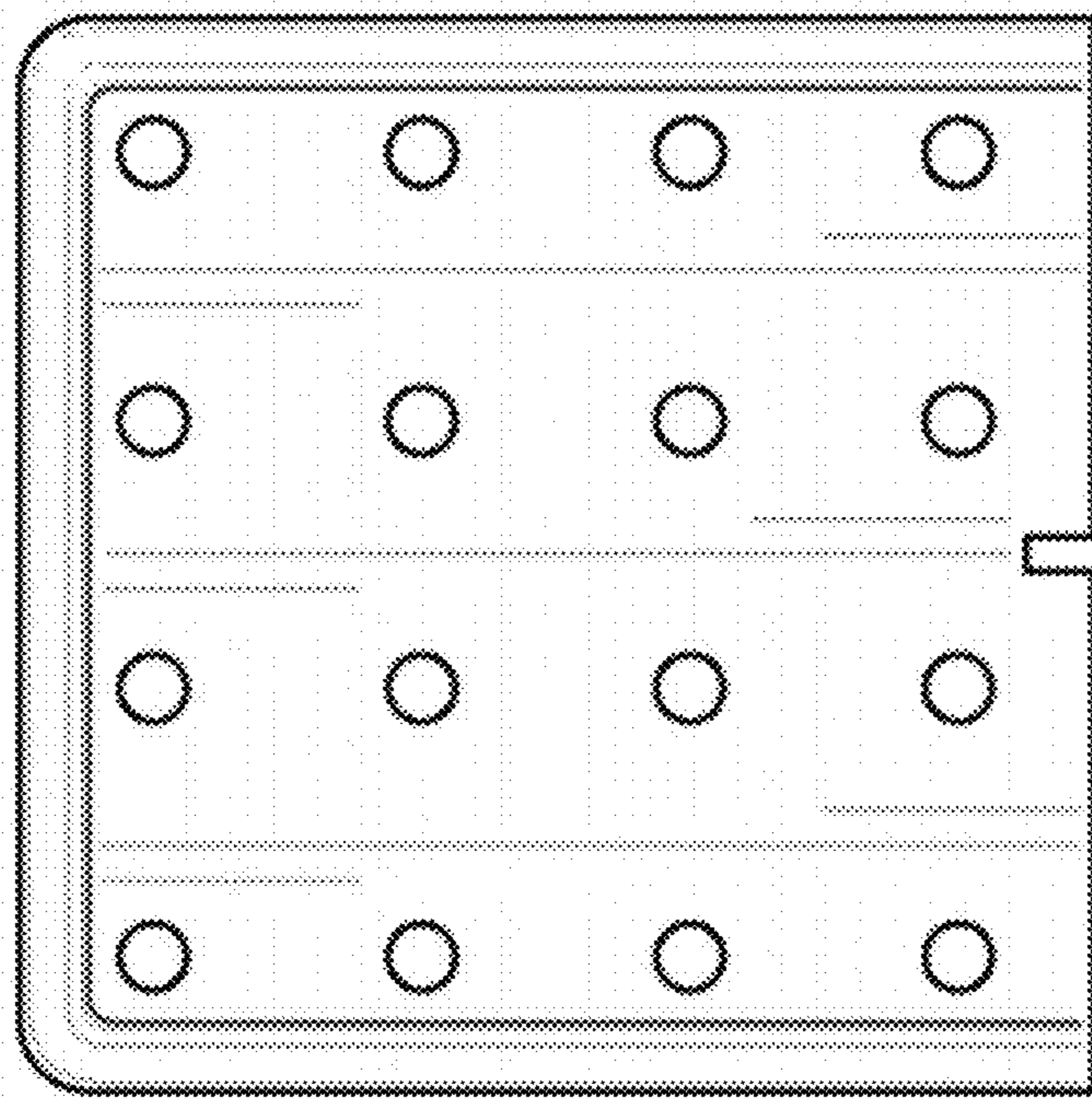


FIG. 4

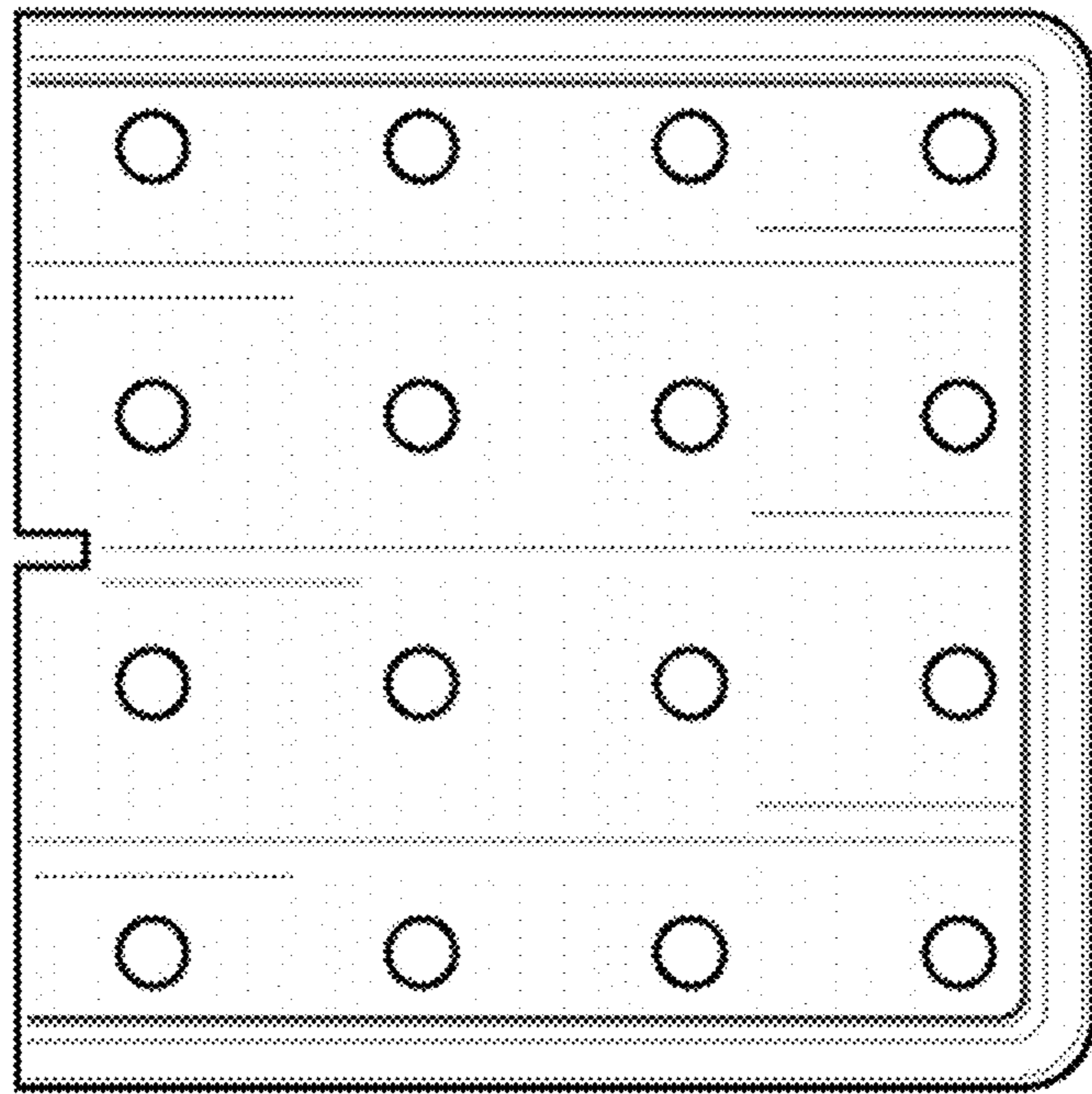


FIG. 5

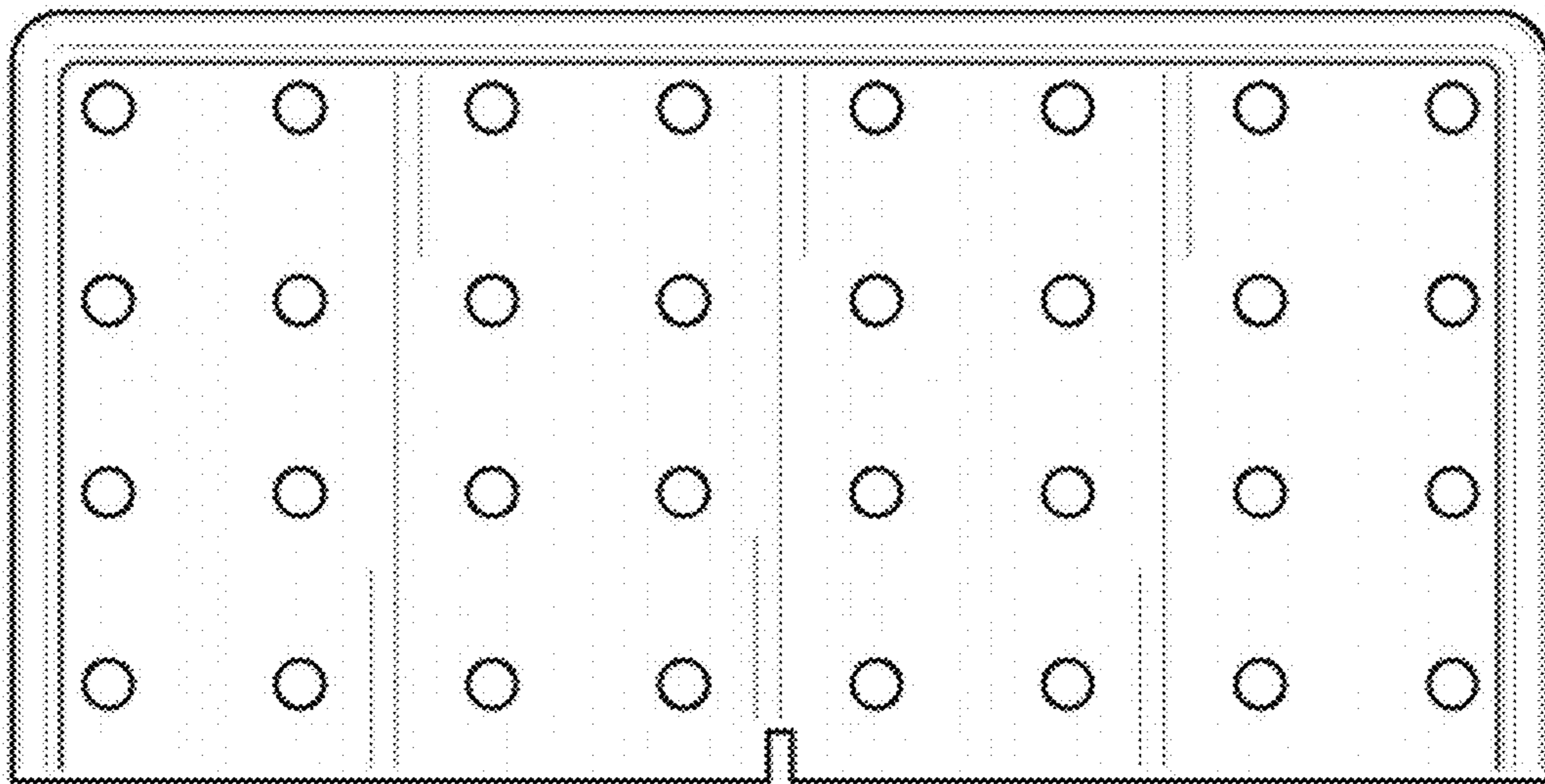


FIG. 6

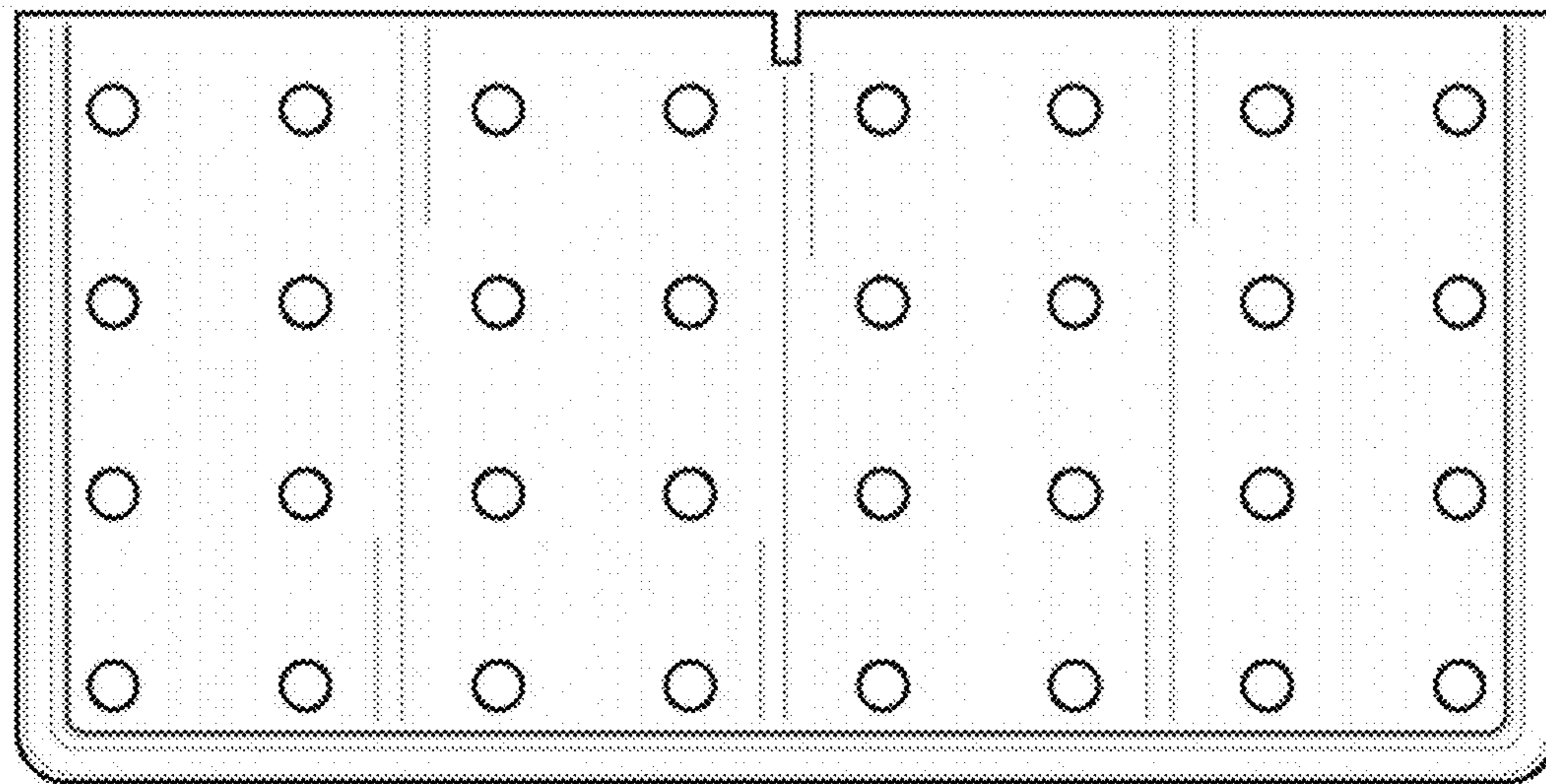


FIG. 7