



US00D805581S

(12) **United States Design Patent** (10) **Patent No.:** **US D805,581 S**
Chang et al. (45) **Date of Patent:** **** Dec. 19, 2017**

(54) **HOLDER** 4,911,310 A * 3/1990 Raishe A47J 47/16
211/41.11
(71) Applicant: **3M INNOVATIVE PROPERTIES** D335,611 S * 5/1993 Petrallia D7/601
COMPANY, St. Paul, MN (US) D369,263 S * 4/1996 Gregg D6/540
D379,903 S * 6/1997 Durham D7/601
(72) Inventors: **Pei-Chun Chang, Taoyuan (TW);** D395,201 S * 6/1998 Cherney D7/504
Hui-Lin Wang, Taipei (TW); Ho Hsin D409,426 S * 5/1999 Hampshire D6/567
Kun, New Taipei (TW) D482,555 S 11/2003 Johansson
D532,234 S * 11/2006 Snell D6/567
D552,611 S * 10/2007 Hagiwara D14/434
(73) Assignee: **3M INNOVATIVE PROPERTIES** D636,395 S * 4/2011 Anderson D13/107
COMPANY, St. Paul, MN (US) D668,496 S * 10/2012 Ho D6/553
D699,973 S * 2/2014 Pan D6/553
D709,308 S * 7/2014 Buller D6/682
D722,644 S * 2/2015 Scott D19/91
(**) Term: **15 Years** (Continued)

(21) Appl. No.: **29/577,424**

(22) Filed: **Sep. 13, 2016**

(51) **LOC (10) Cl.** **19-02**

(52) **U.S. Cl.**
USPC **D19/75; D7/601**

(58) **Field of Classification Search**
USPC D3/201, 206, 215, 313, 901; D6/512,
D6/513, 540, 553, 574, 672; D9/500,
D9/519, 549, 428; D19/75, 77-87,
D19/90-92; D7/601
CPC .. B43M 99/00; B43M 99/001; B43M 99/002;
B43M 99/003; B43M 99/006; B43M
99/008; B43M 99/009
See application file for complete search history.

(56) **References Cited**

U.S. PATENT DOCUMENTS

D113,402 S * 2/1939 Schram 248/902
D143,677 S * 1/1946 Smith D6/520
D223,163 S * 3/1972 GRay D6/683
4,067,536 A * 1/1978 McBeth A47G 1/215
248/316.1
4,653,645 A * 3/1987 Thomas A47G 19/30
206/549
D300,704 S * 4/1989 Ianni D6/553

FOREIGN PATENT DOCUMENTS

TW M290414 5/2006
TW M290415 5/2006

Primary Examiner — Elizabeth Albert

(74) *Attorney, Agent, or Firm* — Irina Hass

(57) **CLAIM**

The ornamental design for a holder, as shown and described.

DESCRIPTION

FIG. 1 is a perspective view showing a new design for a holder;

FIG. 2 is a front view thereof;

FIG. 3 is a left side view thereof, a right side view being a mirror image thereof;

FIG. 4 is a top view thereof;

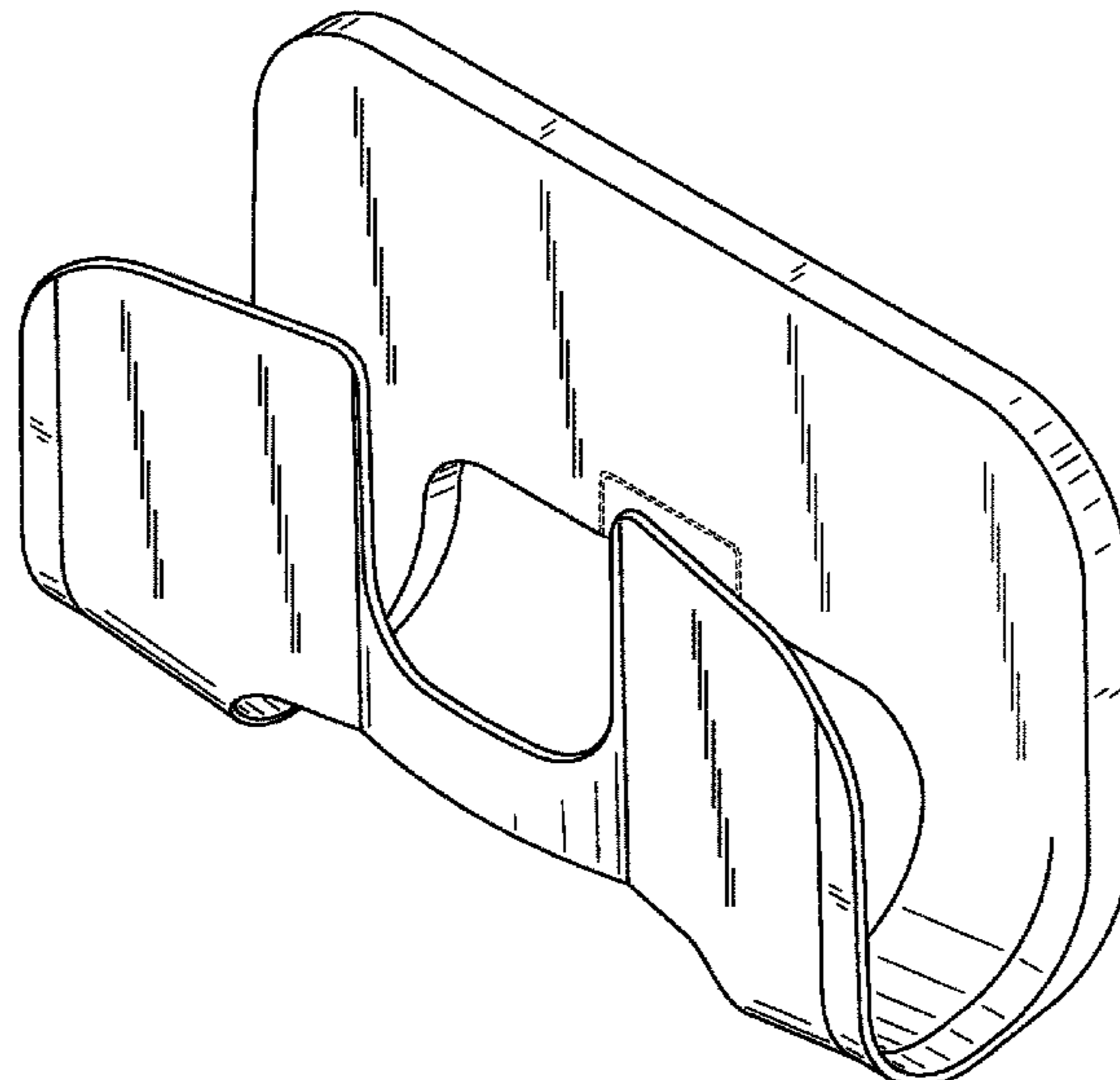
FIG. 5 is a bottom view thereof;

FIG. 6 is a rear view thereof; and,

FIG. 7 is a perspective view thereof showing the holder with a lid.

The portions of the holder in FIGS. 1-3 and 5-7 shown in broken lines are included to show features that form no part of the claimed design.

1 Claim, 3 Drawing Sheets



(56)

References Cited

U.S. PATENT DOCUMENTS

D726,458 S	*	4/2015	Buller	D6/683
D735,966 S	*	8/2015	Boldt	D1/122
D759,928 S	*	6/2016	Goodman	D32/55

* cited by examiner

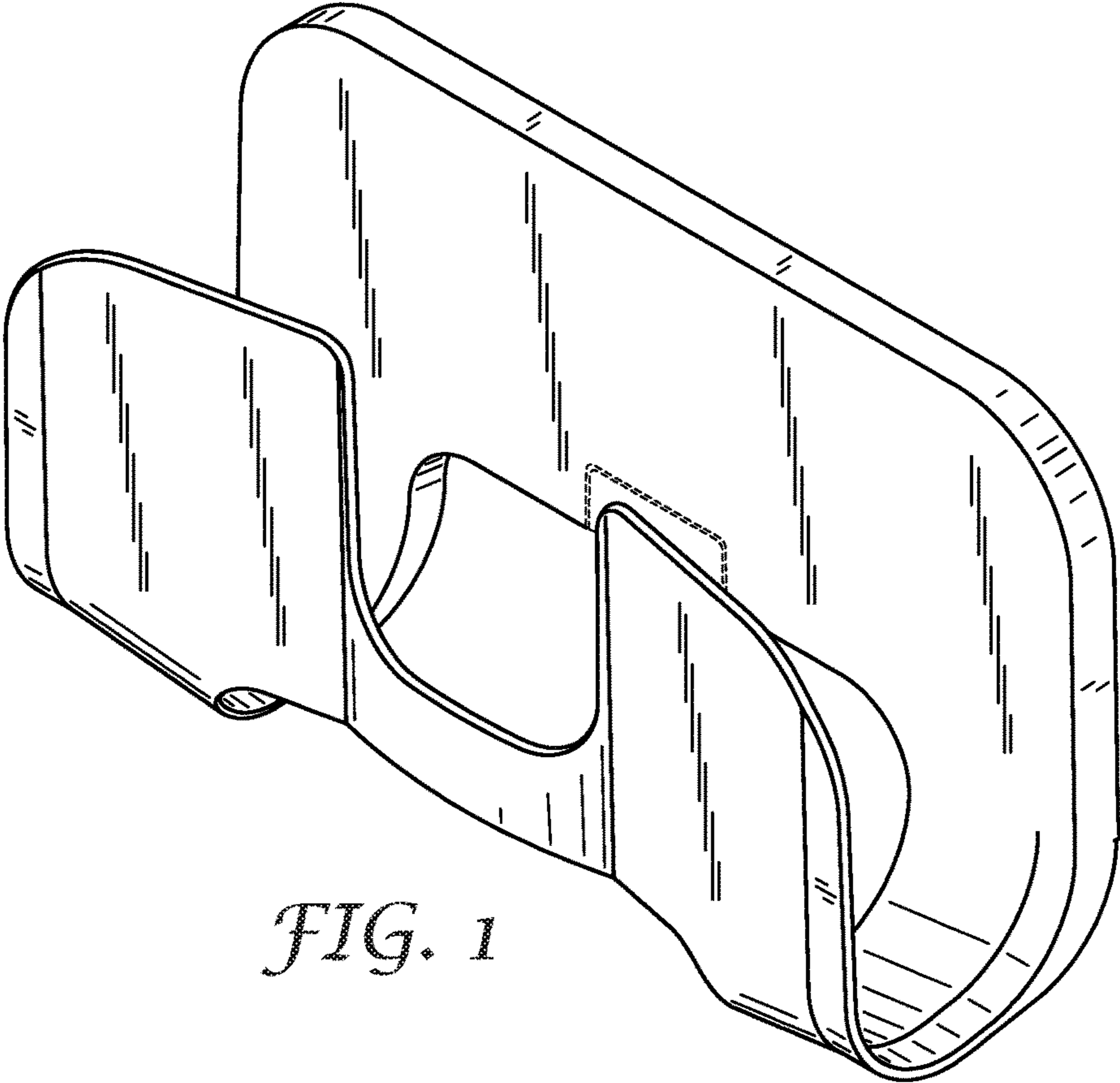


FIG. 1

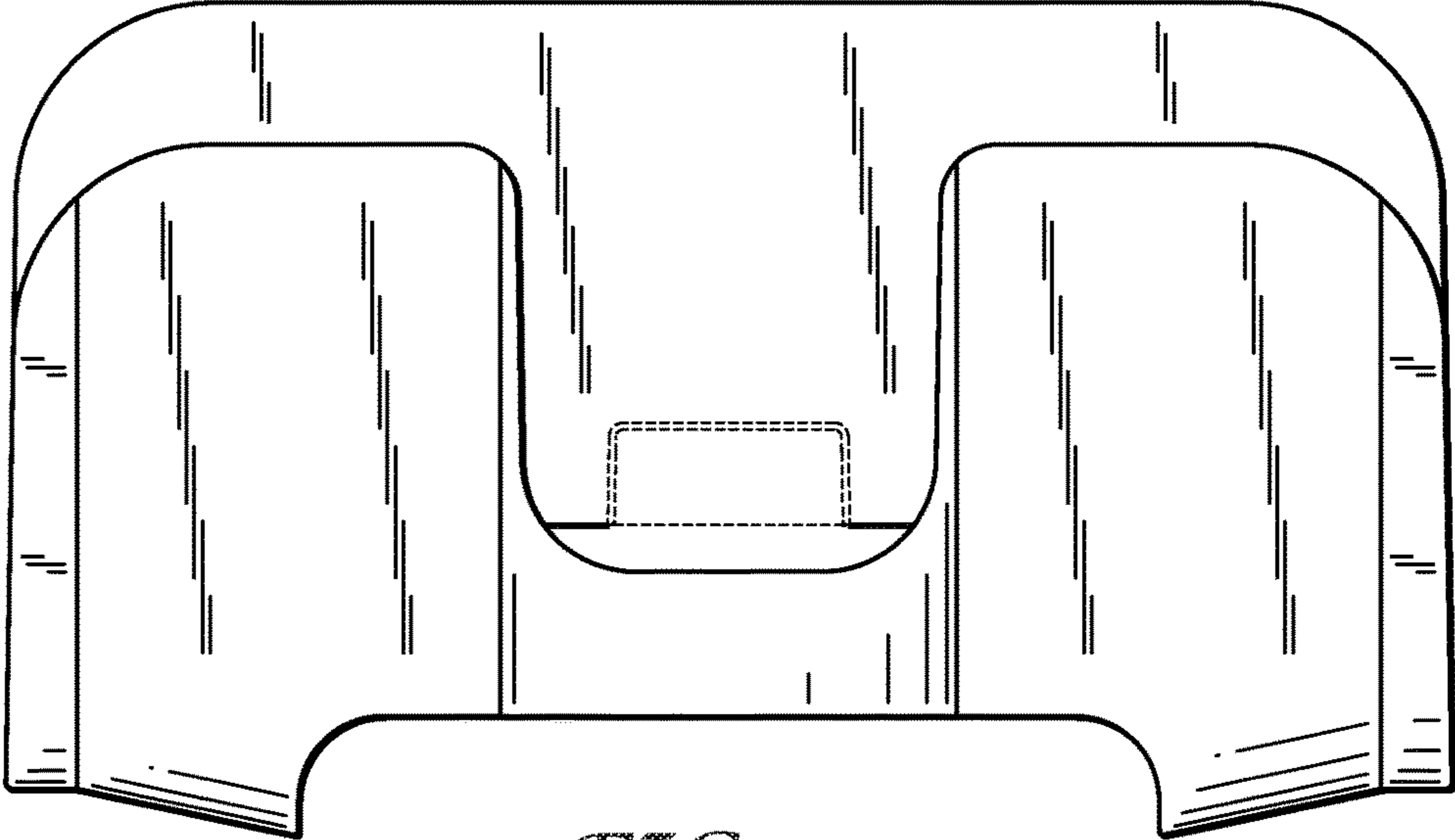


FIG. 2

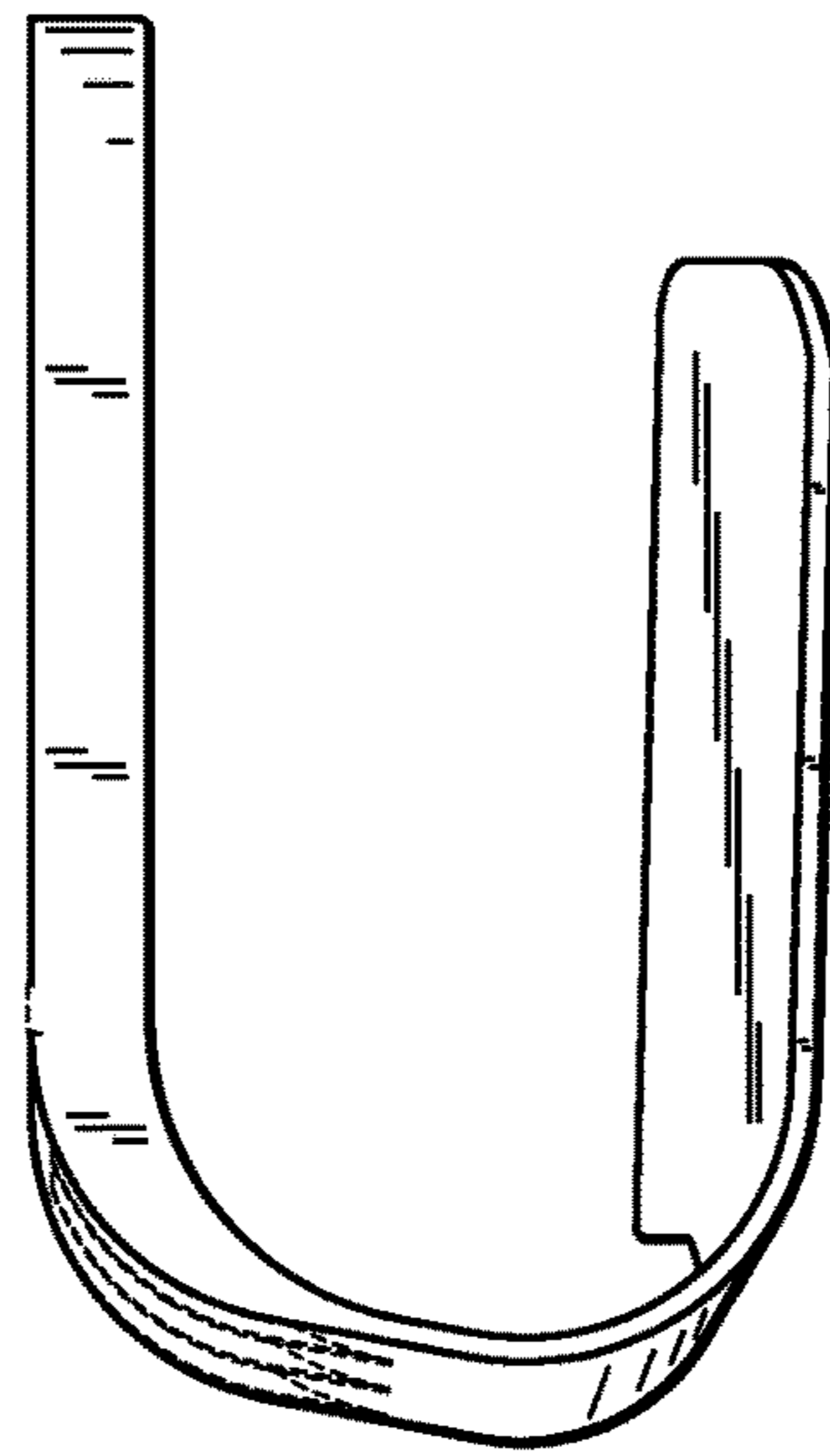


FIG. 3

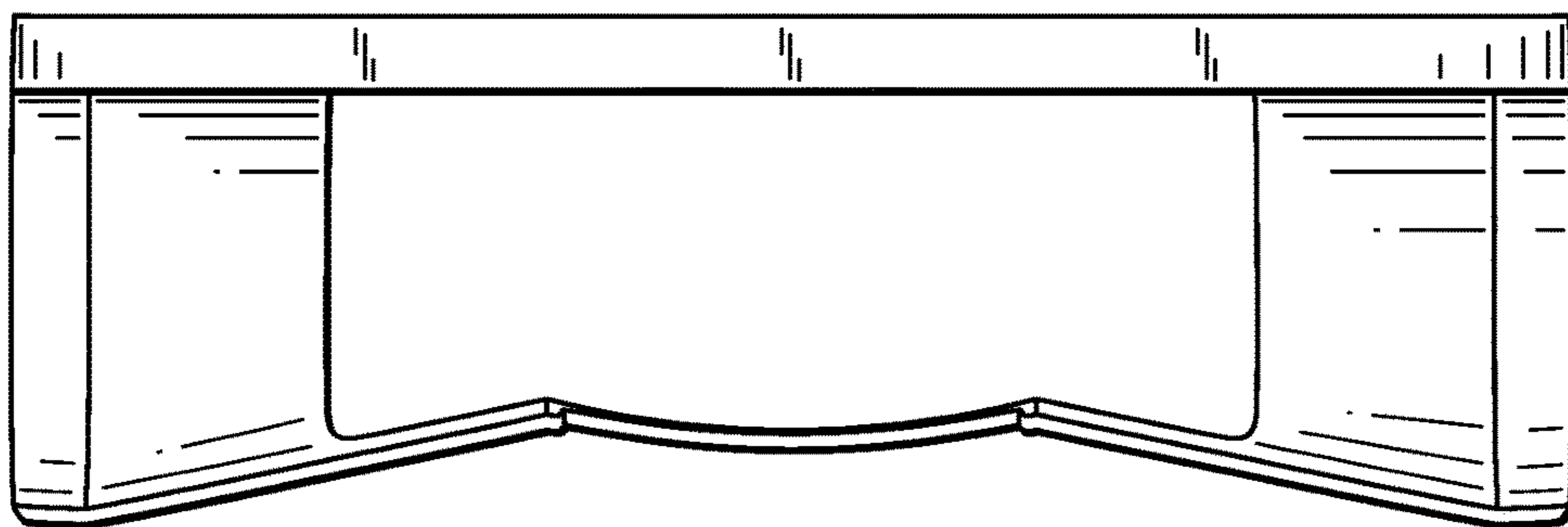


FIG. 4

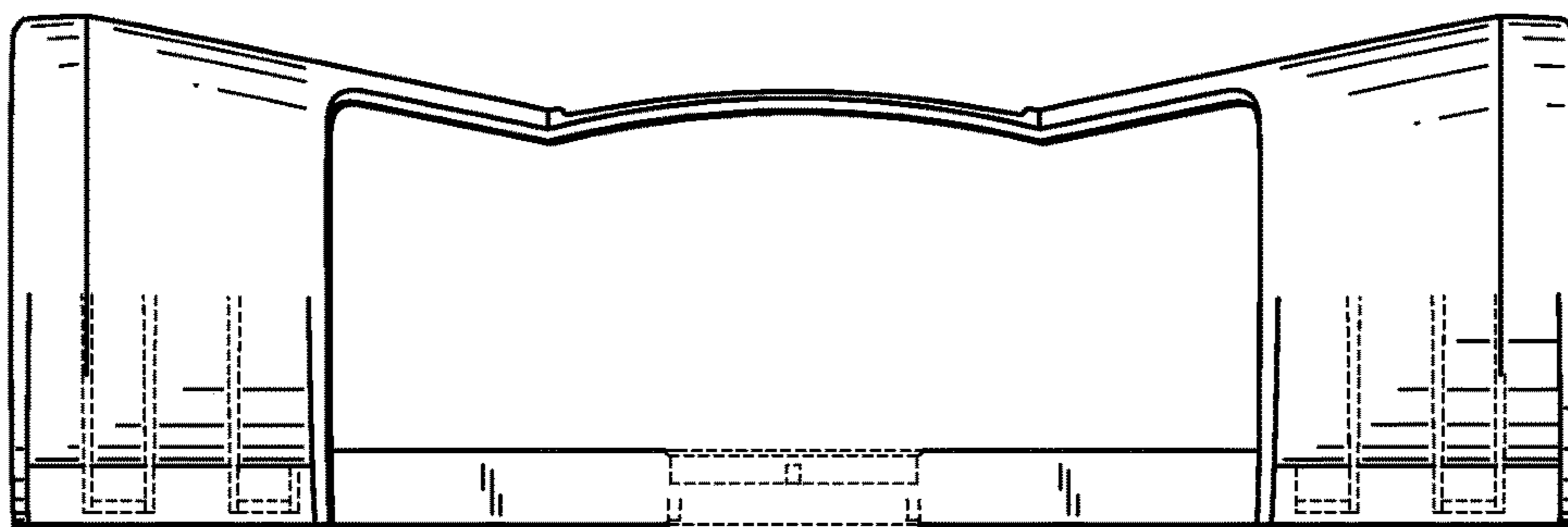


FIG. 5

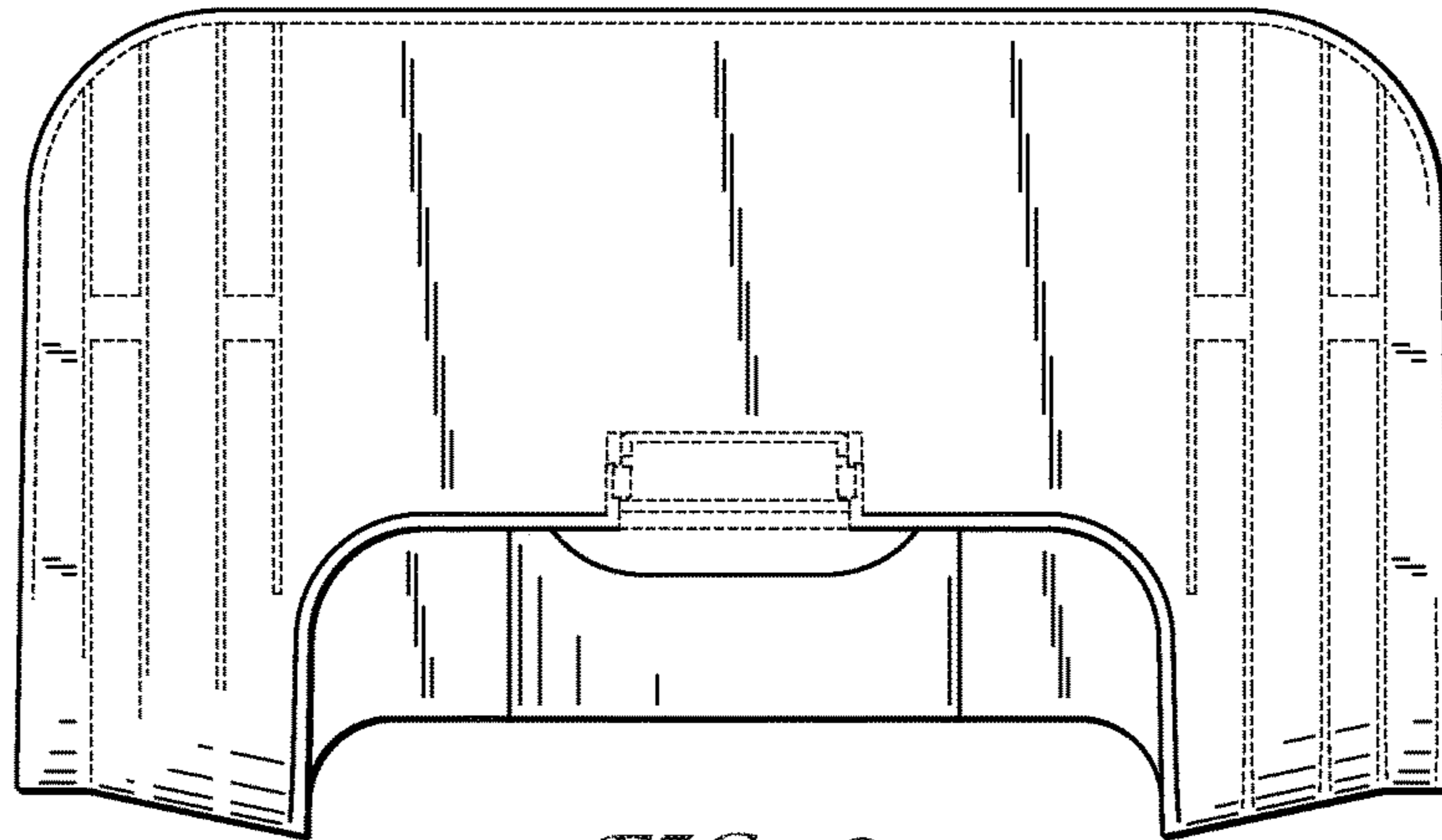


FIG. 6

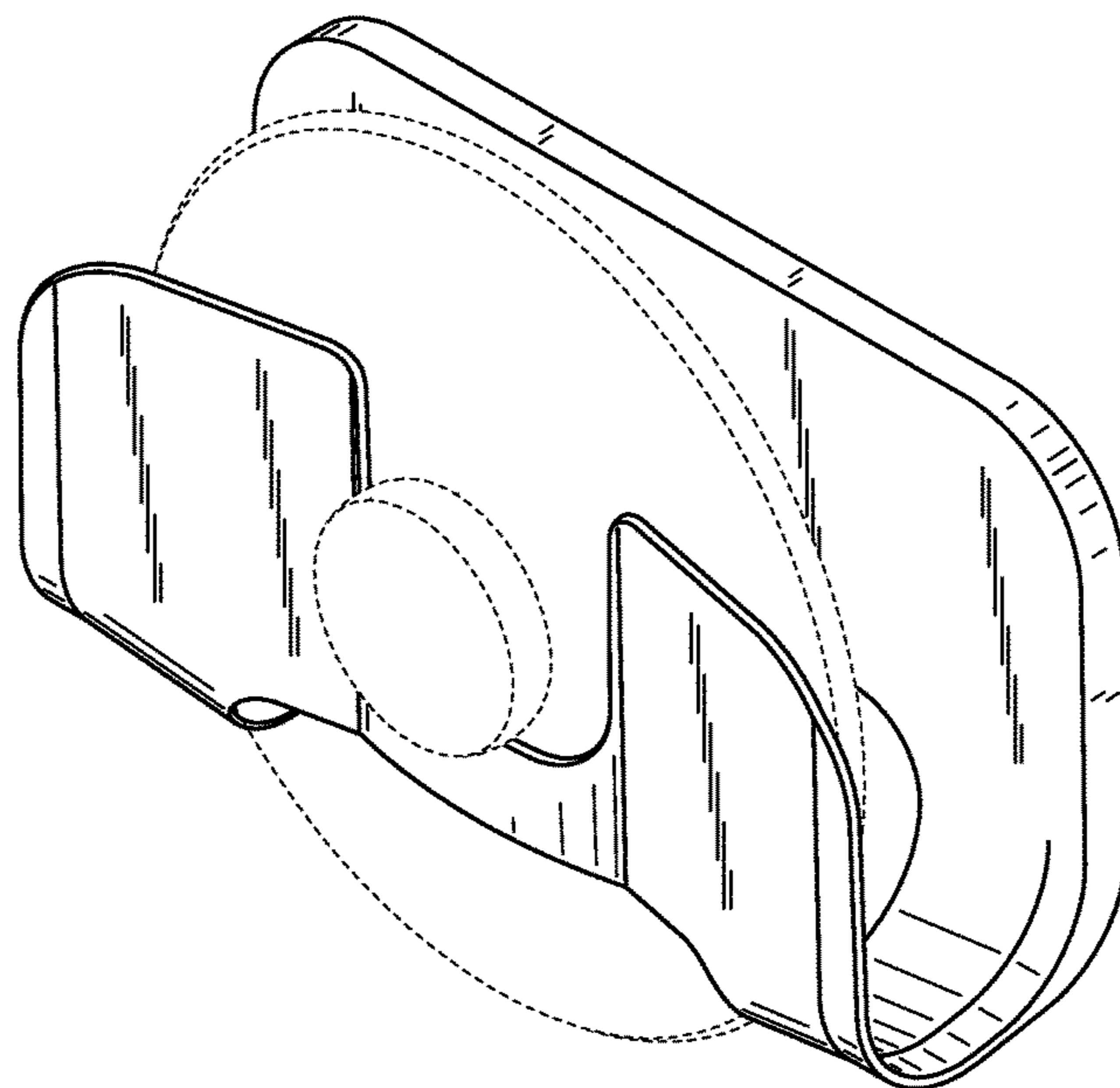


FIG. 7