



US00D805580S

(12) **United States Design Patent**
Jensen

(10) **Patent No.:** **US D805,580 S**

(45) **Date of Patent:** **** Dec. 19, 2017**

(54) **BOOKMARK**

(71) Applicant: **Scott M. Jensen**, Altoona, IA (US)

(72) Inventor: **Scott M. Jensen**, Altoona, IA (US)

(**) Term: **15 Years**

(21) Appl. No.: **29/581,881**

(22) Filed: **Oct. 24, 2016**

(51) **LOC (10) Cl.** **19-99**

(52) **U.S. Cl.**
USPC **D19/34**

(58) **Field of Classification Search**
USPC D19/32-34, 26-31, 34.1-34.5, 124
CPC B42D 3/004; B42D 3/006; B42D 9/00;
B42D 9/001; B42D 9/002; B42D 9/004;
B42D 9/005; B42D 9/007; B42D 9/008;
B42D 9/02; B42D 9/65; E05B 19/0082
See application file for complete search history.

(56) **References Cited**

U.S. PATENT DOCUMENTS

- 399,768 A * 3/1889 Mehrer B42D 9/008
116/235
- 1,232,116 A 7/1917 Stechan
- 2,543,182 A * 2/1951 Lang B42D 9/008
116/235
- 2,585,421 A * 2/1952 Armand B42D 9/008
116/235
- 2,630,777 A * 3/1953 Johnson A62B 13/00
116/235
- D170,467 S * 9/1953 Manzo D19/34
- 3,266,456 A 8/1966 O'Reilly
- 3,381,654 A 5/1968 Gallagher et al.
- 4,706,995 A * 11/1987 Dopp B42D 9/007
116/324
- D300,228 S * 3/1989 Eddins D19/34
- 4,901,665 A 2/1990 Carlin
- 5,081,948 A 1/1992 Walsh
- 5,382,053 A * 1/1995 Tanaka B42D 3/12
116/234

- D362,016 S * 9/1995 Faulkingham D19/34
- D374,459 S * 10/1996 Vartanian D10/64
- 6,015,166 A 1/2000 May
- 6,390,015 B1 * 5/2002 Germano B42D 9/00
116/235
- D495,740 S * 9/2004 Lee D19/34
- 7,441,512 B2 * 10/2008 Swallow B42D 9/008
116/235
- 2006/0048695 A1 3/2006 Ireland
- 2006/0144317 A1 7/2006 Chan

FOREIGN PATENT DOCUMENTS

FR 2916386 A1 * 11/2008 B42D 9/007

OTHER PUBLICATIONS

Onelmon. <URL: <http://onelmon.com/blog/2014/05/ice-cream-sticks-2-arrow-bookmark/>> May 30, 2014. Arrow bookmark.*

* cited by examiner

Primary Examiner — Bridget L Eland

Assistant Examiner — Lauren McVey

(74) *Attorney, Agent, or Firm* — Robert C. Montgomery;
Montgomery Patent and Desig, LP.

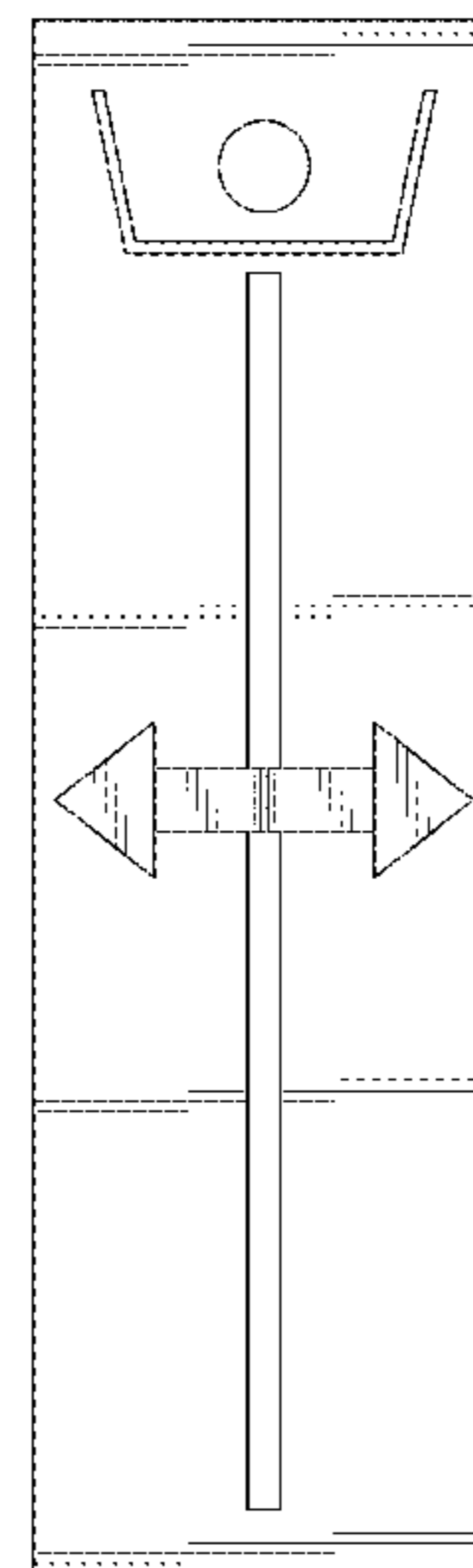
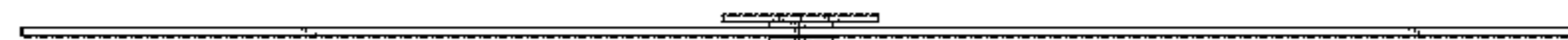
(57) **CLAIM**

The ornamental design for a bookmark, as shown and described.

DESCRIPTION

FIG. 1 is a top perspective view of bookmark, showing my new design;
FIG. 2 is a bottom perspective view thereof;
FIG. 3 is a front side elevation view thereof;
FIG. 4 is a back side elevation view thereof;
FIG. 5 is a right side elevation view thereof;
FIG. 6 is a left side elevation view thereof;
FIG. 7 is a top side plan view thereof; and,
FIG. 8 is a bottom side plan view thereof.

1 Claim, 8 Drawing Sheets



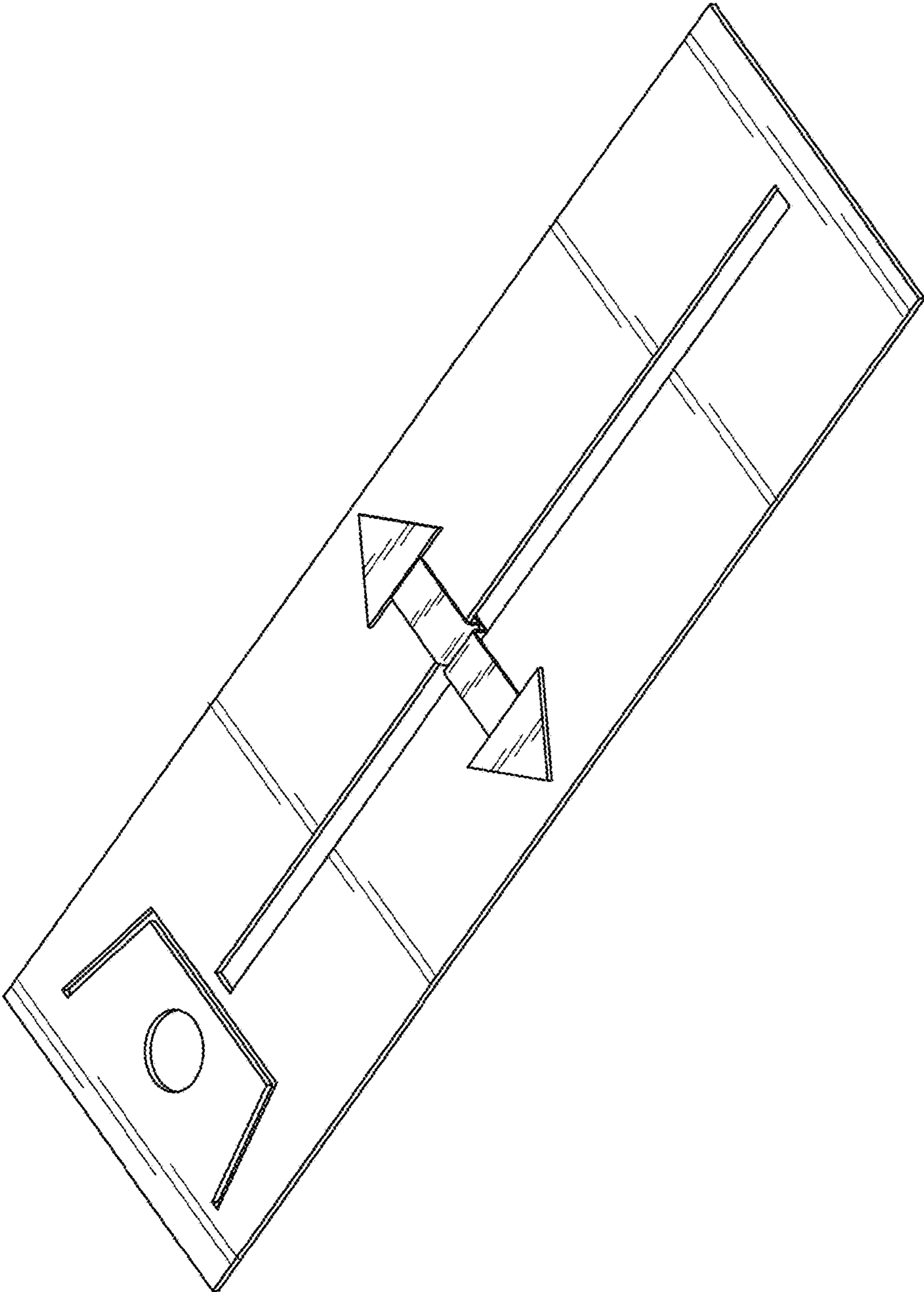


FIG. 1

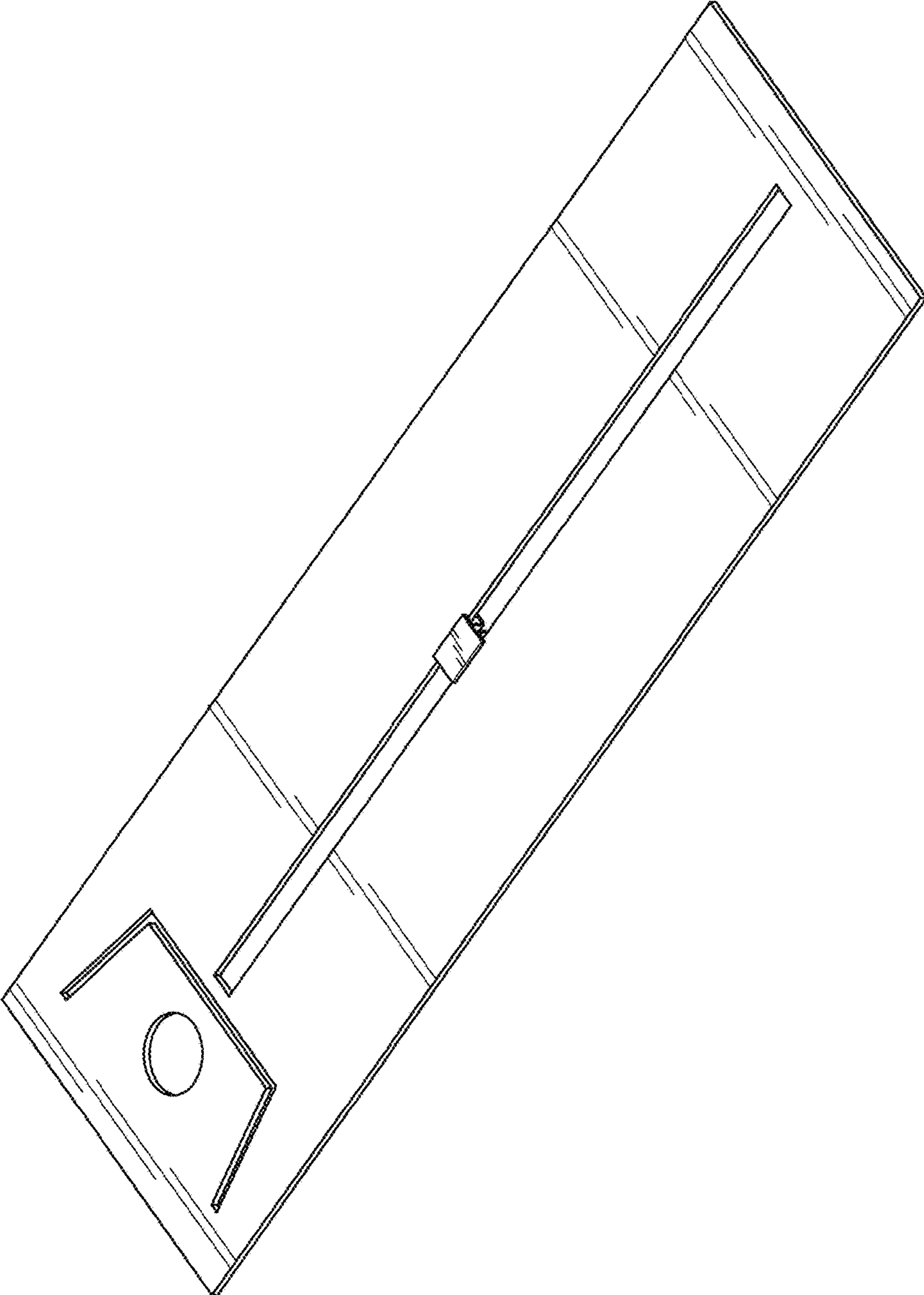


FIG. 2



FIG. 3



FIG. 4



FIG. 5



FIG. 6

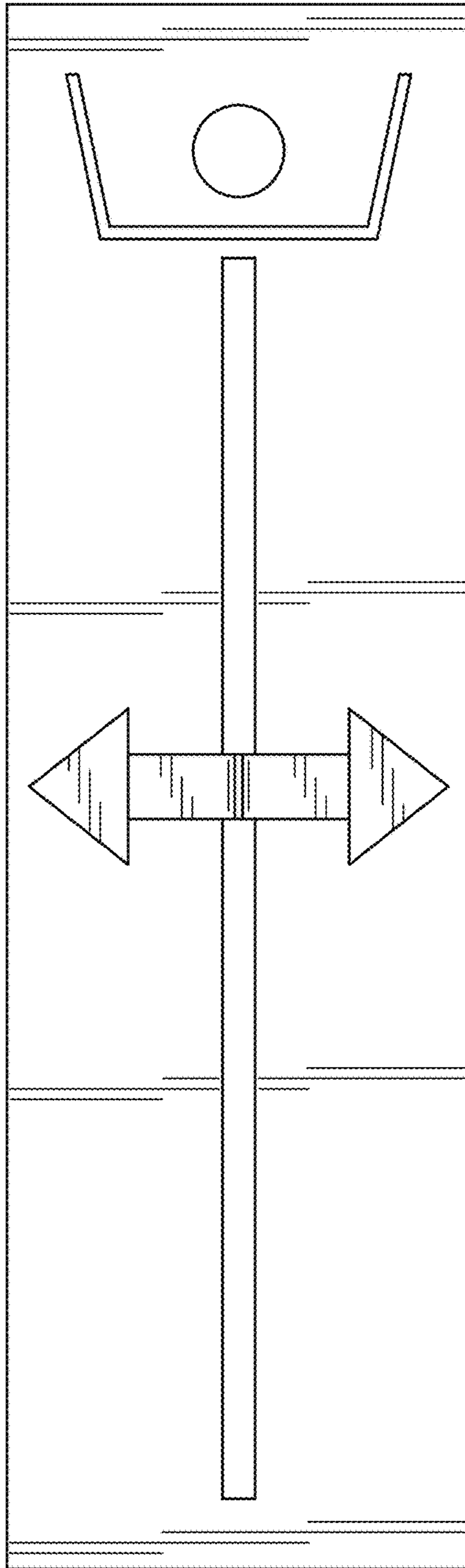


FIG. 7

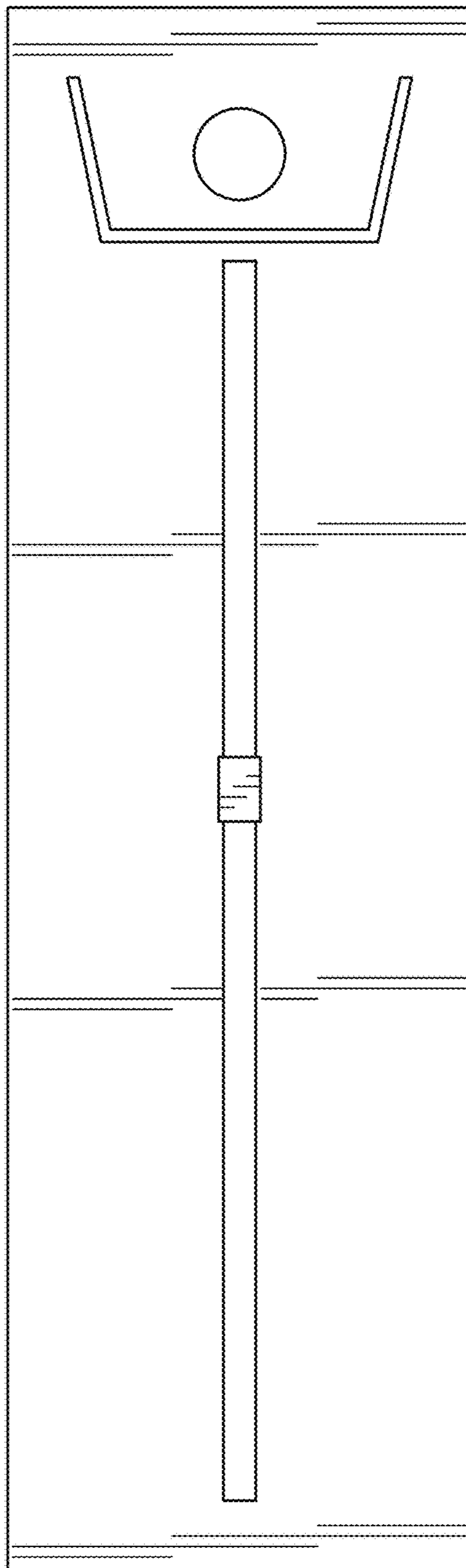


FIG. 8