



US00D805579S

(12) **United States Design Patent** (10) **Patent No.:** **US D805,579 S**  
**Murata et al.** (45) **Date of Patent:** **\*\* Dec. 19, 2017**

(54) **SENSING MEMBER OF TAPE CARTRIDGE FOR TAPE PRINTING MACHINE**

(71) Applicant: **BROTHER INDUSTRIES, LTD.**,  
Nagoya-shi, Aichi-ken (JP)

(72) Inventors: **Susumu Murata**, Konan (JP); **Takaaki Banno**, Nagoya (JP)

(73) Assignee: **BROTHER INDUSTRIES, LTD.**,  
Nagoya-shi (JP)

(\*\*) Term: **15 Years**

(21) Appl. No.: **29/586,164**

(22) Filed: **Dec. 1, 2016**

(30) **Foreign Application Priority Data**

Jun. 17, 2016 (JP) ..... 2016-013017

(51) **LOC (10) Cl.** ..... **18-02**

(52) **U.S. Cl.**  
USPC ..... **D18/56**

(58) **Field of Classification Search**  
USPC ..... D14/471, 483, 484; D18/12, 18, 36, 40,  
D18/43, 44, 56, 58, 99  
CPC . B41J 2/17; B41J 2/1721; B41J 2/1572; B41J  
2/1754; B41J 2/17503; B41J 2/17553;  
B41J 2/17556; B41J 2/16547  
See application file for complete search history.

(56) **References Cited**

U.S. PATENT DOCUMENTS

- D521,550 S \* 5/2006 Kato ..... D18/56
- D523,470 S 6/2006 Kato et al.
- D524,853 S 7/2006 Kato et al.
- D525,297 S 7/2006 Okuchi et al.
- D525,651 S 7/2006 Kato et al.
- D527,420 S 8/2006 Okuchi et al.

- D528,119 S 9/2006 Nakamura et al.
- D528,547 S 9/2006 Nakamura et al.
- D529,030 S 9/2006 Nakamura et al.
- D529,914 S 10/2006 Nakamura et al.
- D534,169 S 12/2006 Nakamura et al.
- D537,865 S 3/2007 Sugimoto et al.
- D542,840 S 5/2007 Nakamura et al.
- D544,537 S 6/2007 Nakamura et al.
- D544,911 S 6/2007 Nakamura et al.
- D778,984 S \* 2/2017 Kim ..... D18/56

\* cited by examiner

*Primary Examiner* — Garth Rademaker

*Assistant Examiner* — Richard Kearney

(74) *Attorney, Agent, or Firm* — Oliff PLC

(57) **CLAIM**

The ornamental design for a sensing member of tape cartridge for tape printing machine, as shown and described.

**DESCRIPTION**

FIG. 1 is a top, perspective view of a sensing member of tape cartridge for tape printing machine;  
 FIG. 2 is a front view thereof;  
 FIG. 3 is a top view thereof;  
 FIG. 4 is a right-side view thereof;  
 FIG. 5 is a left-side view thereof;  
 FIG. 6 is a rear view thereof;  
 FIG. 7 is a bottom view thereof;  
 FIG. 8 is a cross-sectional view taken along line 8-8 in FIG. 5;  
 FIG. 9 is a cross-sectional view taken along line 9-9 in FIG. 5; and,  
 FIG. 10 is a bottom, perspective view thereof.

The broken lines depict unclaimed portions of the sensing member of tape cartridge for tape printing machine and form no part of the claimed design. The dot-dash chain lines depict a boundary of the claimed subject matter and form no part of the claimed design.

**1 Claim, 9 Drawing Sheets**

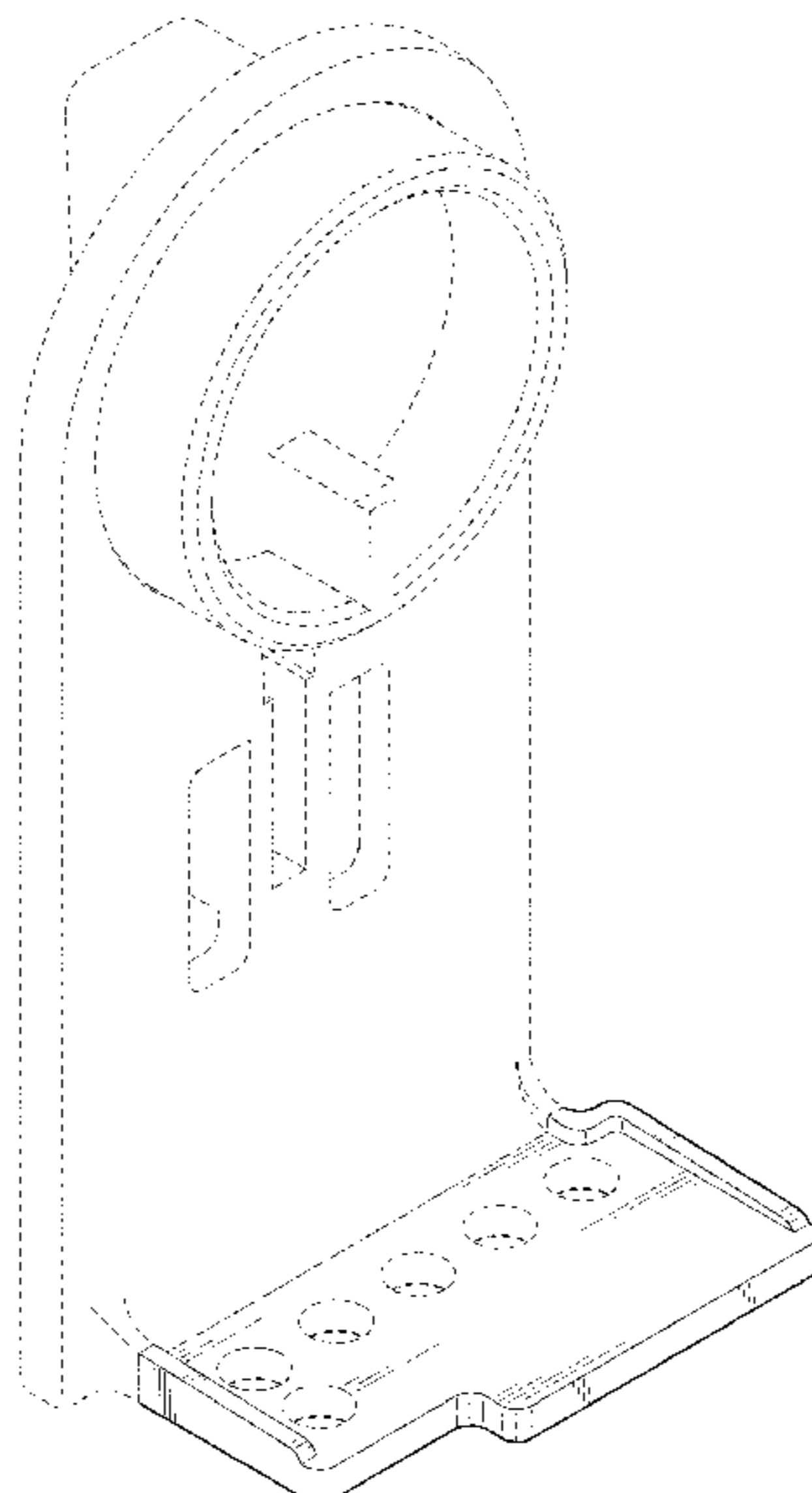


FIG. 1

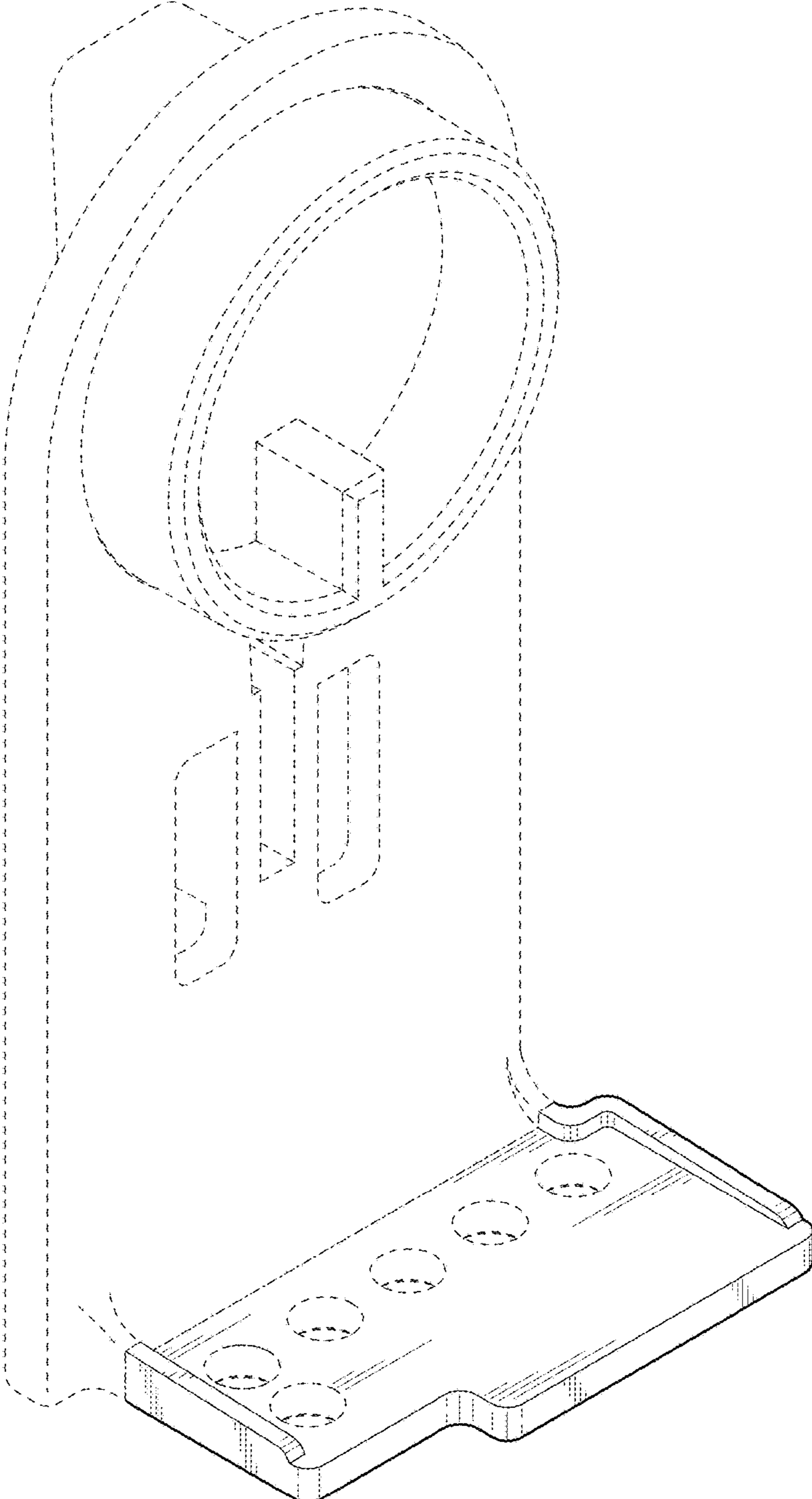


FIG. 2

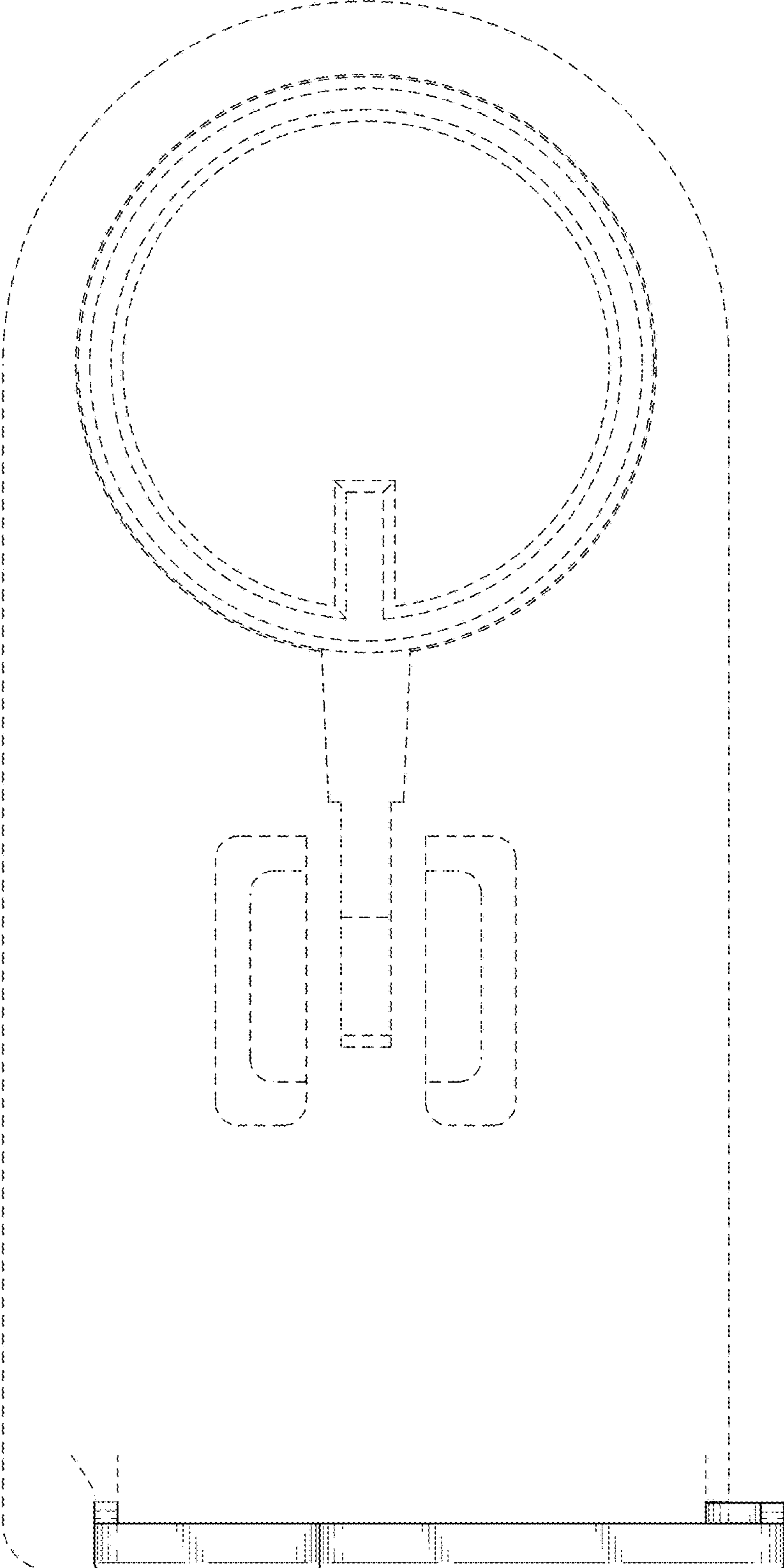


FIG. 3

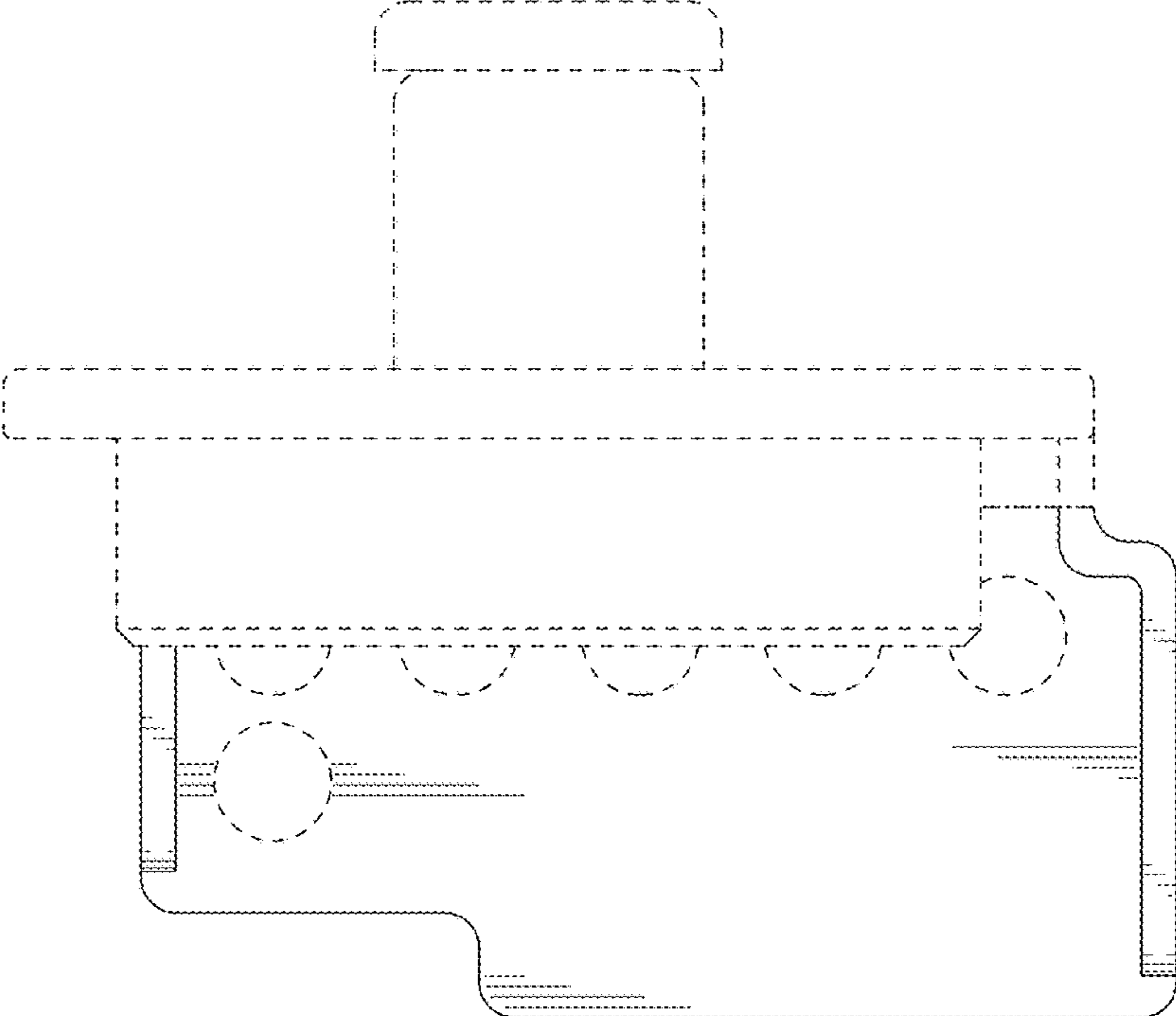


FIG. 4

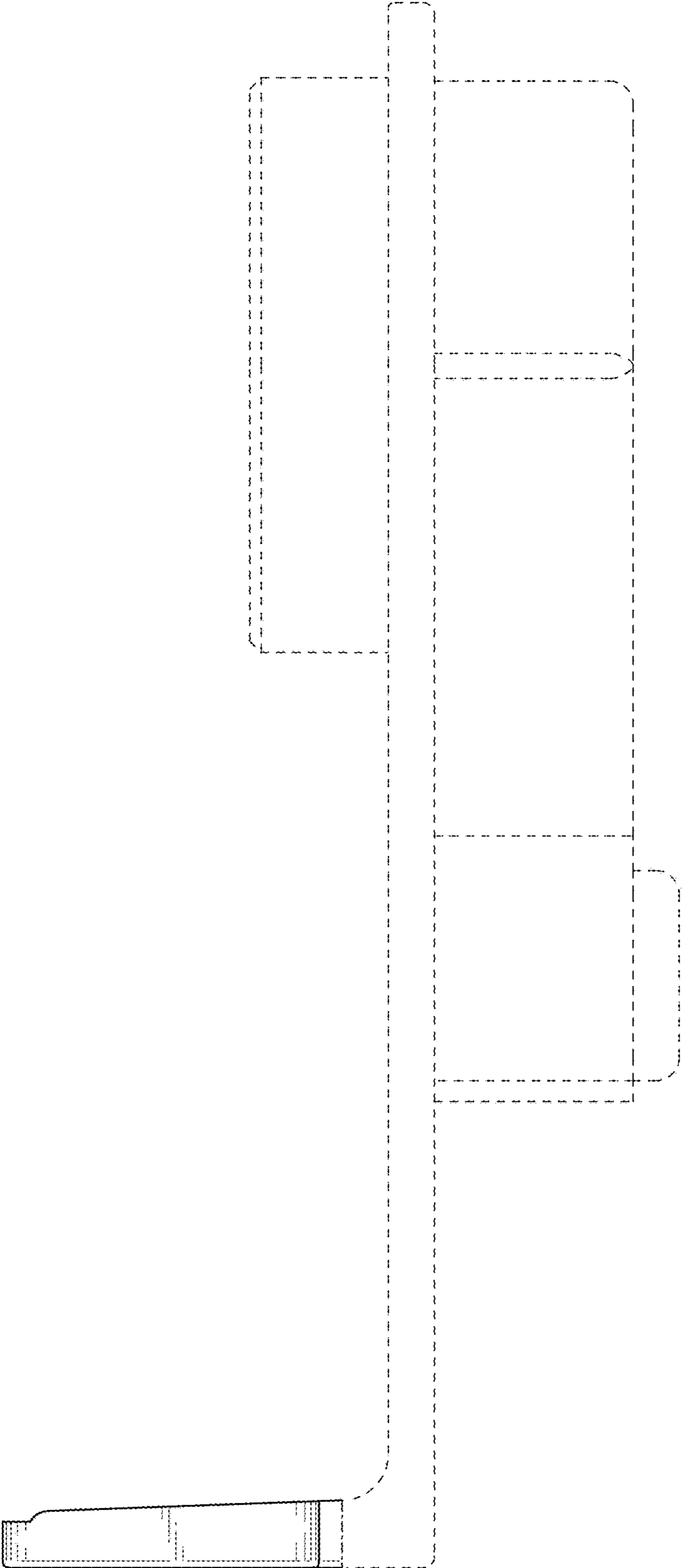


FIG. 5

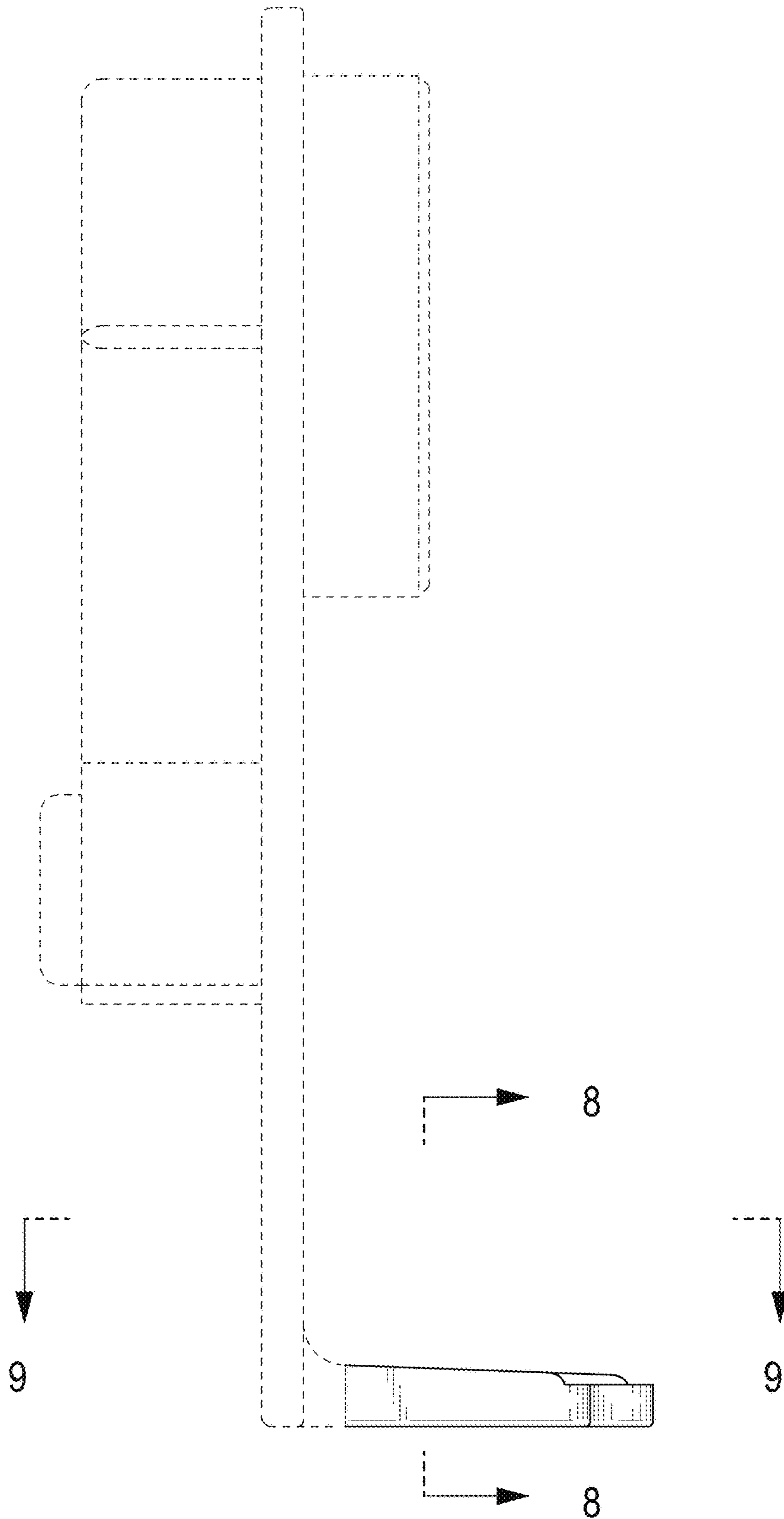


FIG. 6

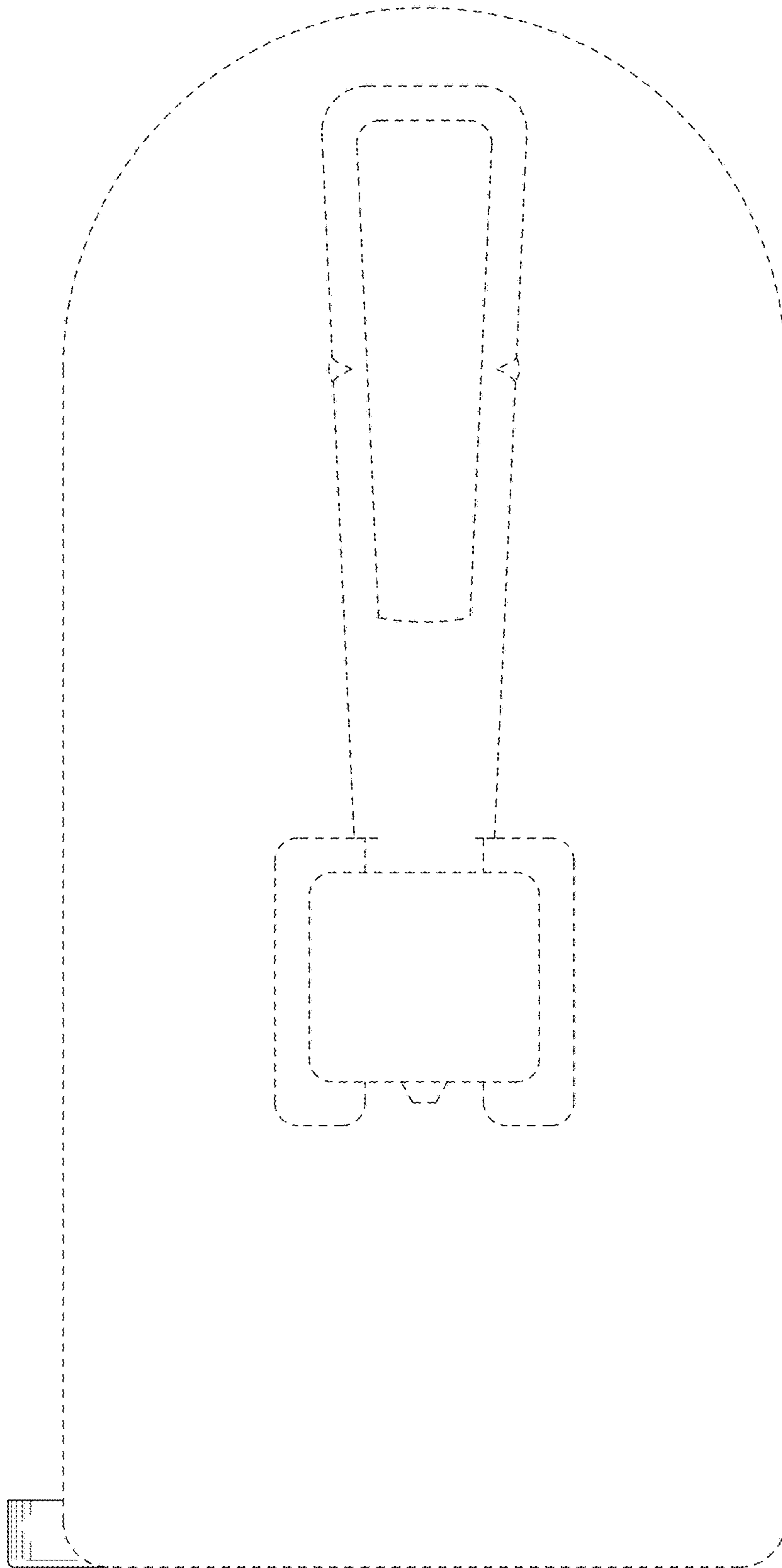


FIG. 7

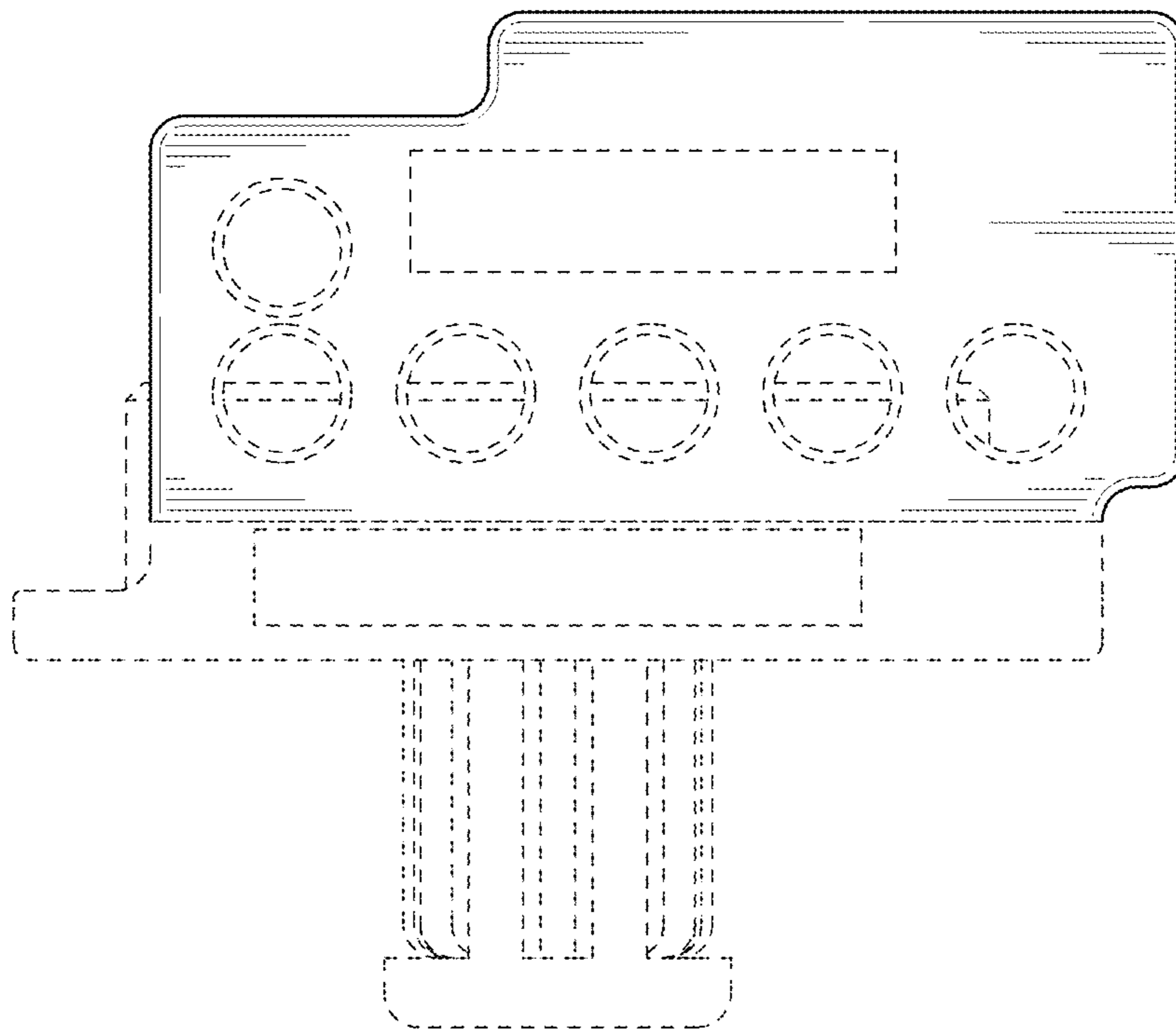




FIG. 8

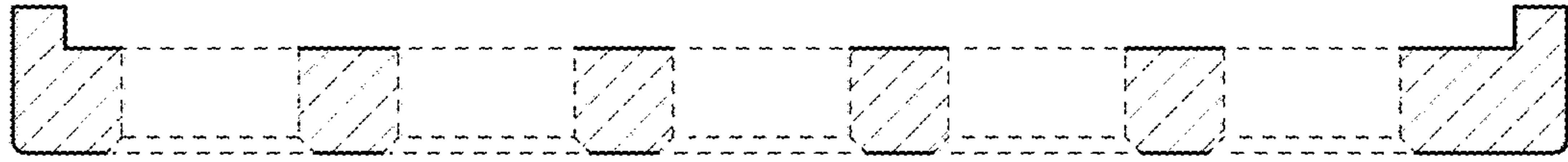


FIG. 9

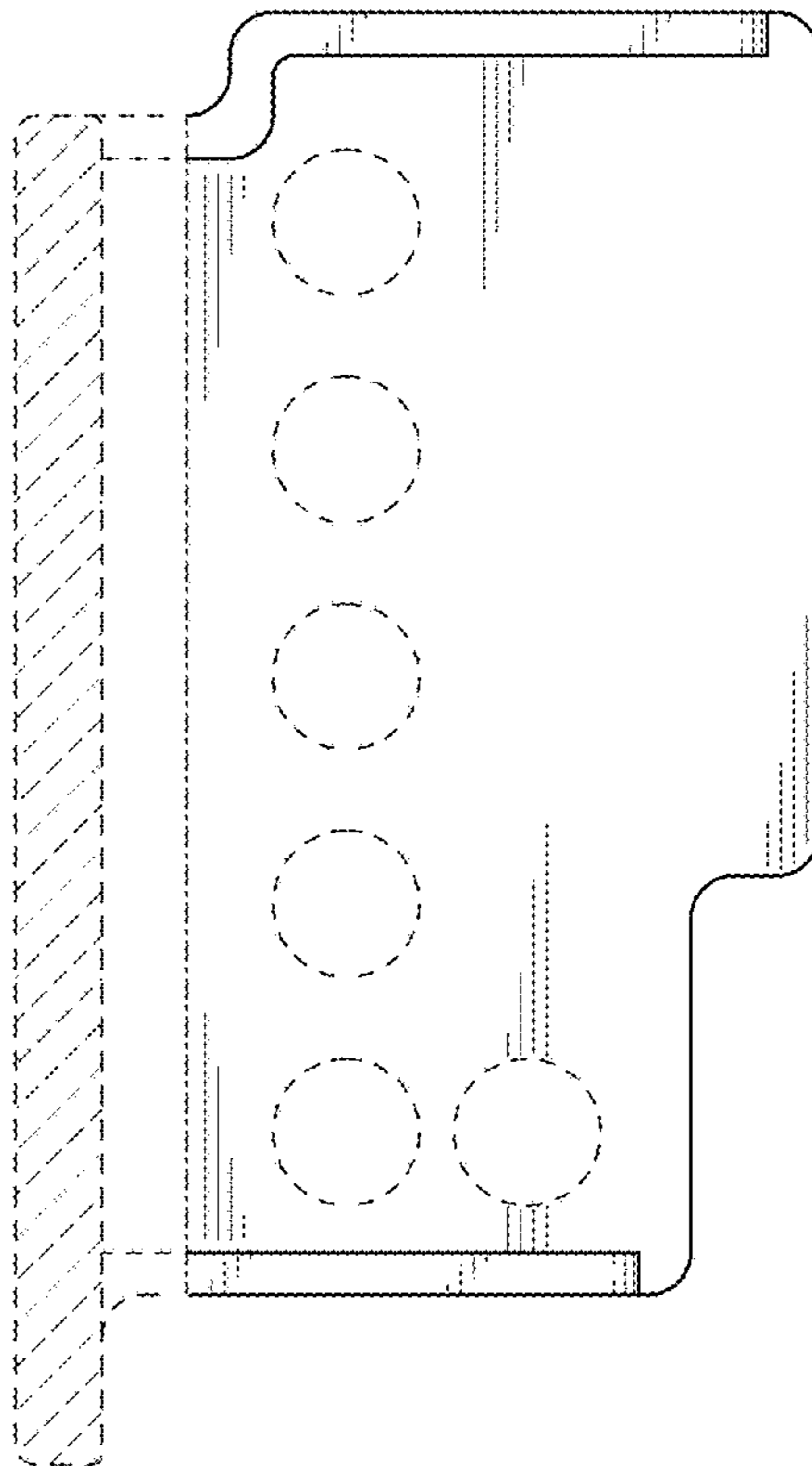


FIG. 10

