



US00D805575S

(12) **United States Design Patent** (10) **Patent No.:** **US D805,575 S**
Peabody et al. (45) **Date of Patent:** **** Dec. 19, 2017**

(54) **CAMERA MOUNT FOR VEHICLE ATTACHMENT**

(71) Applicant: **TASER International, Inc.**, Scottsdale, AZ (US)

(72) Inventors: **Anne F. Peabody**, Scottsdale, AZ (US); **David I. Anderson**, Mesa, AZ (US); **Christopher M. Buttenob**, Scottsdale, AZ (US); **John W. Wilson**, Scottsdale, AZ (US)

(73) Assignee: **TASER INTERNATIONAL, INC.**, Scottsdale, AZ (US)

(**) Term: **15 Years**

(21) Appl. No.: **29/565,515**

(22) Filed: **May 20, 2016**

Related U.S. Application Data

(63) Continuation of application No. 29/542,510, filed on Oct. 14, 2015.

(51) **LOC (10) Cl.** **16-05**

(52) **U.S. Cl.**
USPC **D16/242**

(58) **Field of Classification Search**

USPC D16/208, 213-219, 235, 237-250; D14/217, 229, 250-253; D8/363, 373, D8/394

CPC G03B 17/02-17/04; G03B 17/14; G03B 17/56; G03B 17/561-17/568; G03B 21/20; G02B 7/00-7/002; F16M 11/02; F16M 11/04; F16M 11/20; F16M 11/40

See application file for complete search history.

(56) **References Cited**

U.S. PATENT DOCUMENTS

D383,759 S * 9/1997 Nagele D14/149
D519,469 S * 4/2006 Sorenson D13/169
D528,104 S * 9/2006 Kimura D14/227

(Continued)

OTHER PUBLICATIONS

U.S. Appl. No. 29/542,510, filed Oct. 14, 2015.

Primary Examiner — Vy N Koenig

Assistant Examiner — Omeed Agilee

(74) *Attorney, Agent, or Firm* — Lawrence Letham; Mitch Chase

(57) **CLAIM**

The ornamental design for a camera mount for vehicle attachment, as shown and described.

DESCRIPTION

FIG. 1 is a rear view of the camera mount for vehicle attachment with an unclaimed camera coupled to a lower portion of the camera mount;

FIG. 2 is a left side view of the camera mount for vehicle attachment with the bottom of the mount oriented downward;

FIG. 3 is a right side view of the camera mount for vehicle attachment with the bottom of the mount oriented downward;

FIG. 4 is a perspective view of the camera mount for vehicle attachment showing the left, rear, and top of the camera mount with the bottom oriented downward;

FIG. 5 is a perspective view of the camera mount for vehicle attachment showing the left, rear, and bottom of the camera mount with the bottom oriented downward;

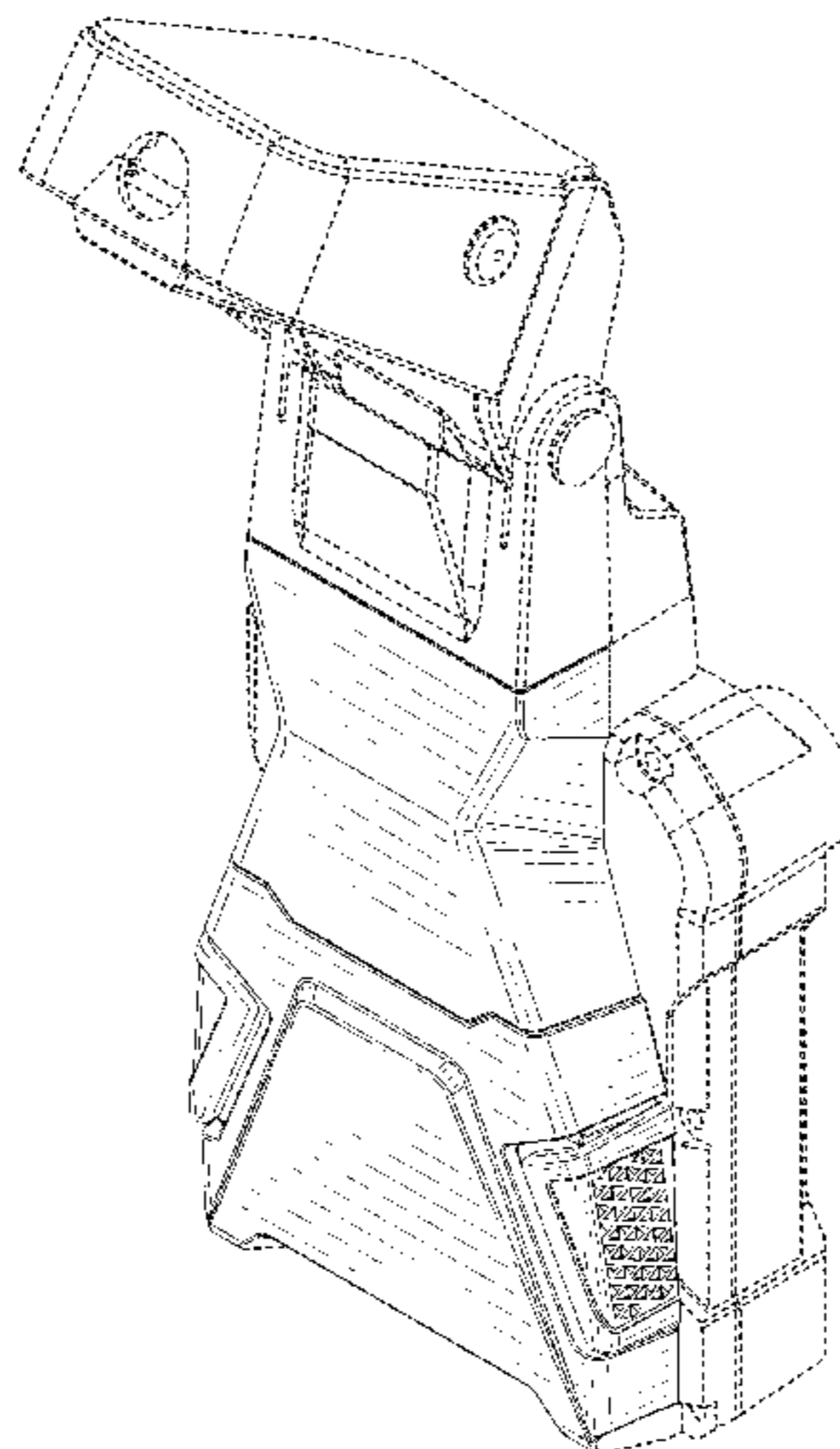
FIG. 6 is a perspective view of the camera mount for vehicle attachment showing the right, front, and top of the camera mount with the bottom oriented downward;

FIG. 7 is a top view of the camera mount for vehicle attachment with the front oriented downward; and,

FIG. 8 is a bottom view of the camera mount for vehicle attachment with the rear oriented downward.

The broken lines in the drawings show environmental structure and form no part of the claimed design.

1 Claim, 7 Drawing Sheets



(56)

References Cited

U.S. PATENT DOCUMENTS

D550,632 S *	9/2007	Samuels	D13/162
D708,251 S *	7/2014	Chen	D16/240
D721,122 S *	1/2015	Rivkin	D16/242
D721,123 S *	1/2015	Rivkin	D16/242
8,960,623 B2 *	2/2015	Woolford	F16M 11/041
			224/545
D733,783 S *	7/2015	Wu	D16/206
D781,860 S *	3/2017	Tsiopanos	D14/426

* cited by examiner

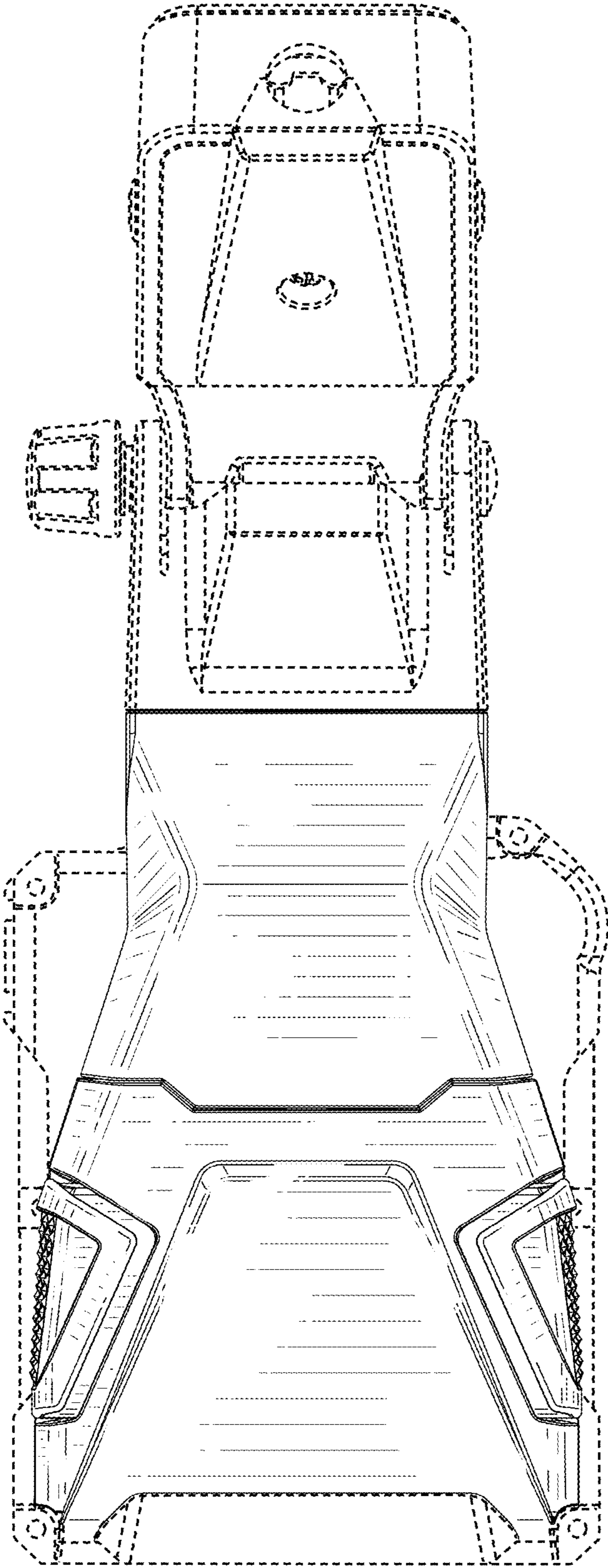


FIG. 1

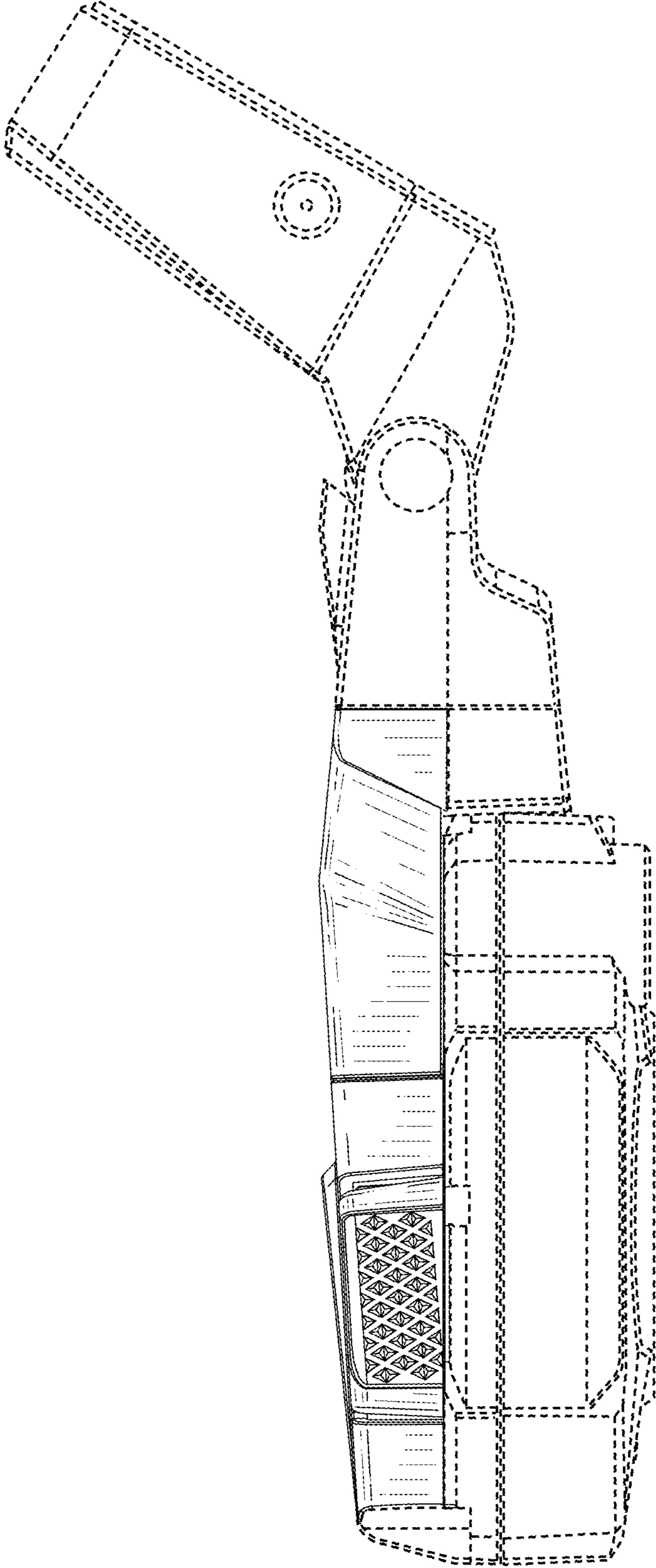


FIG. 2

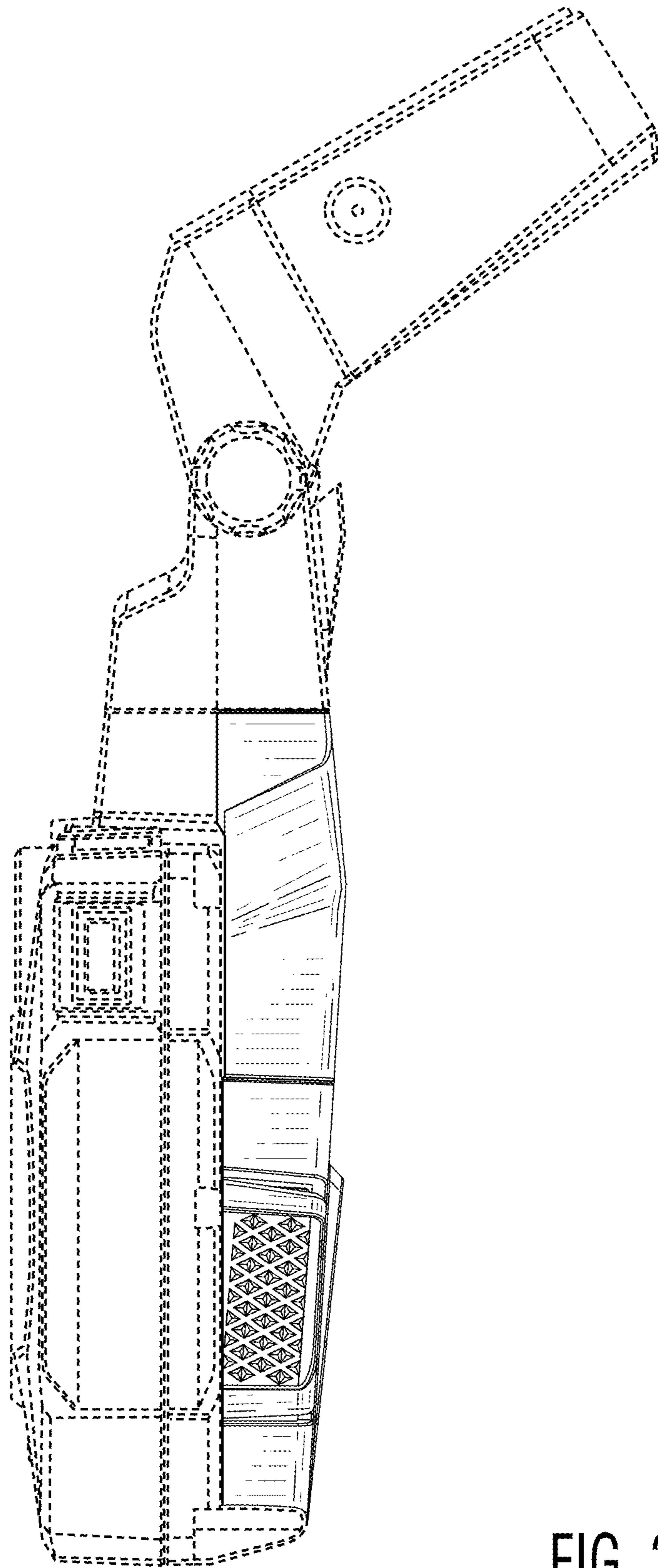


FIG. 3

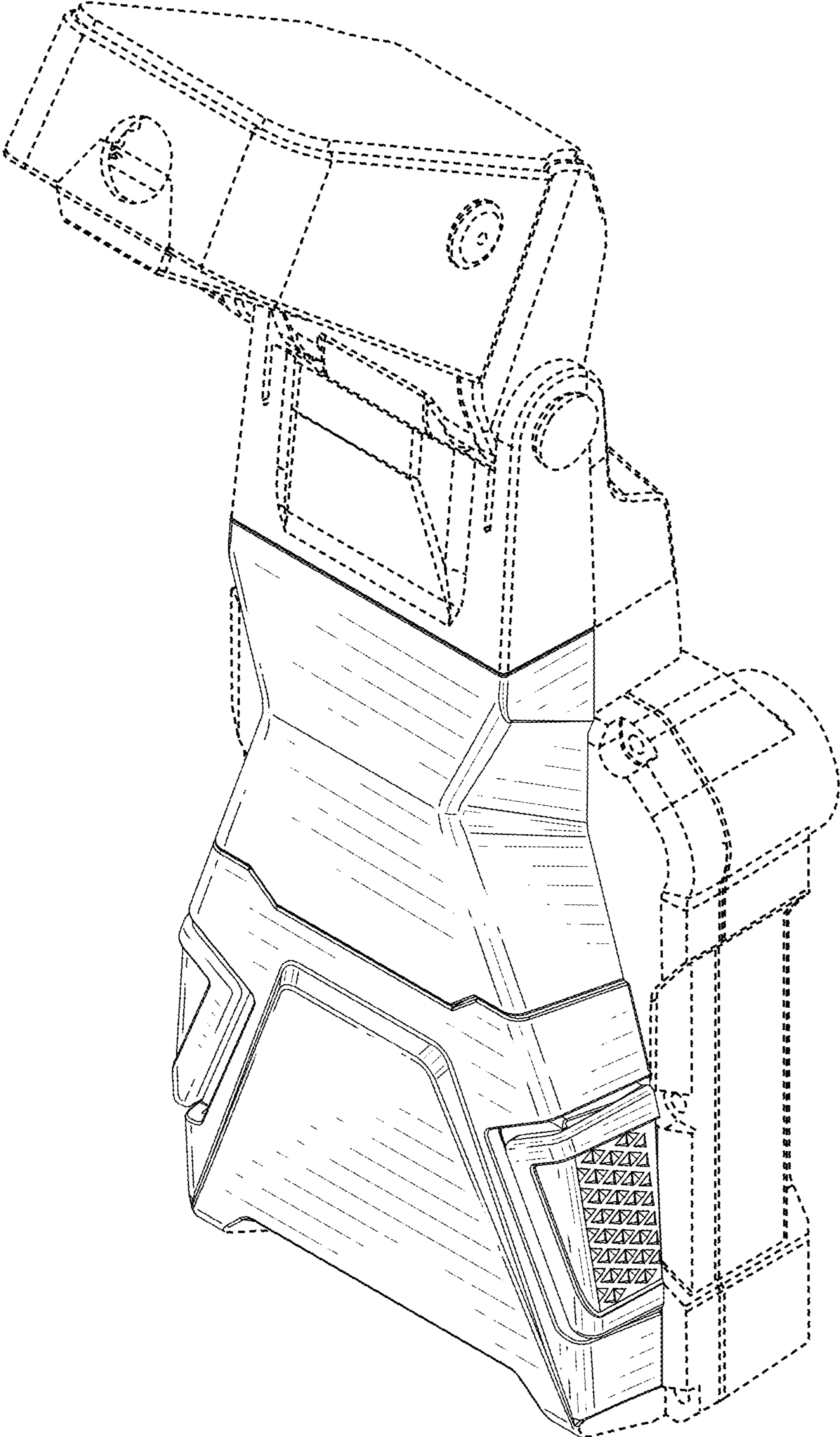


FIG. 4

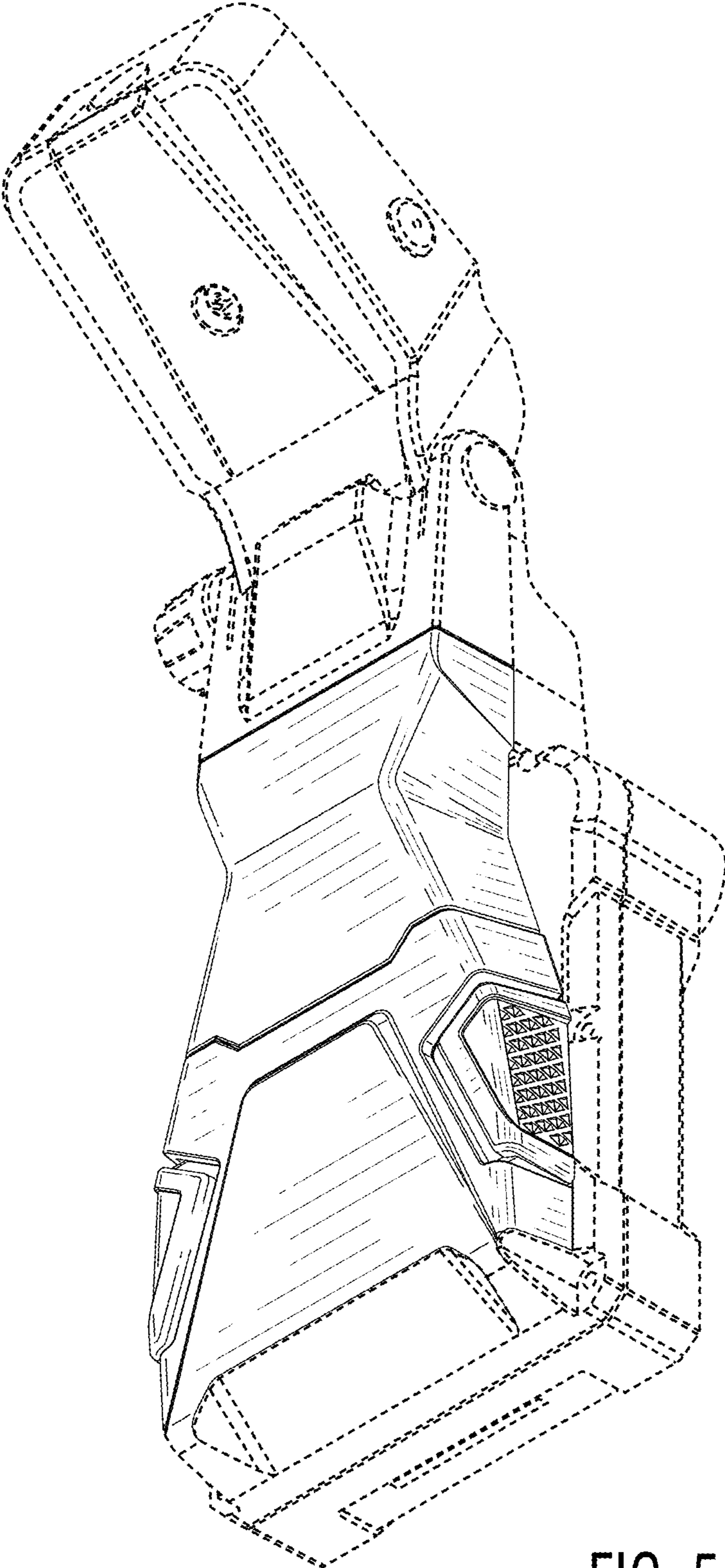


FIG. 5

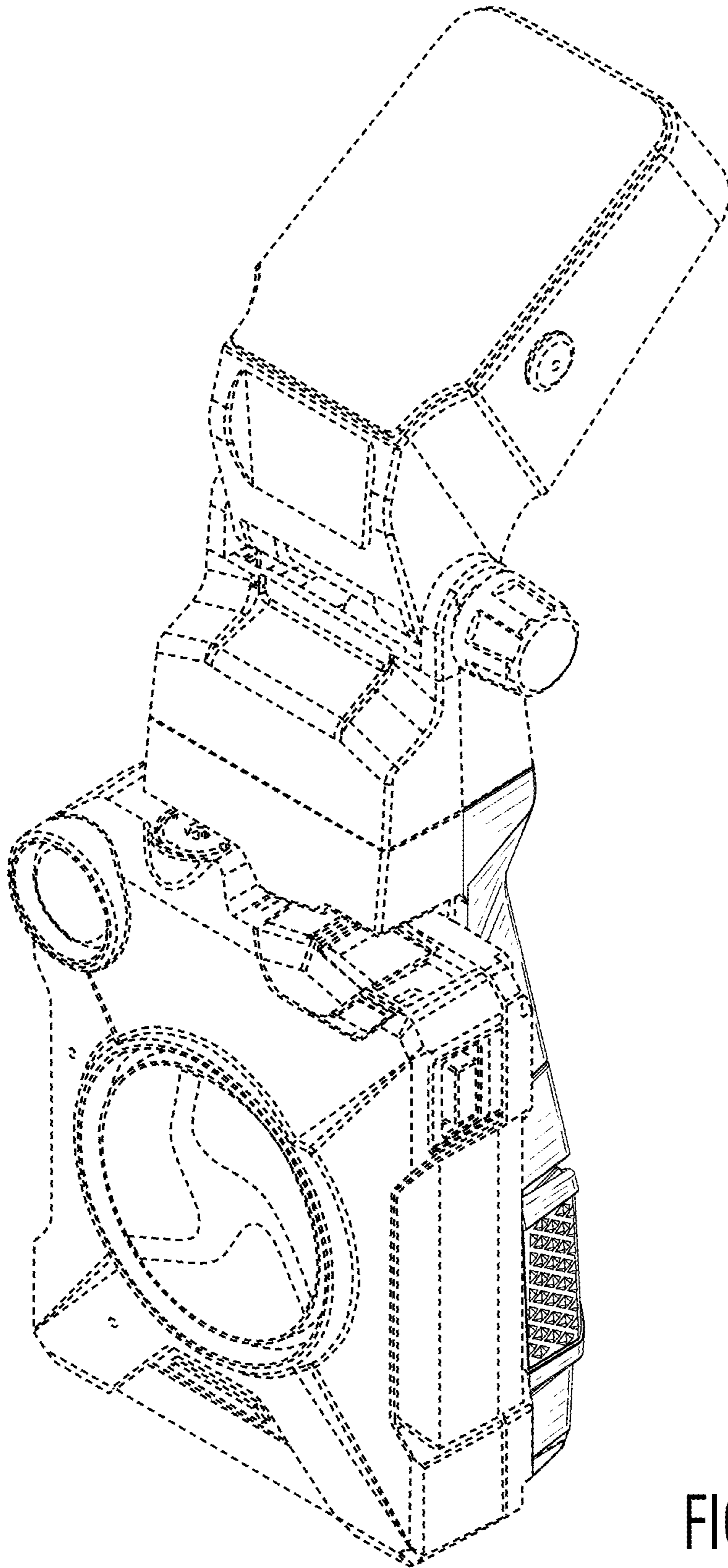


FIG. 6

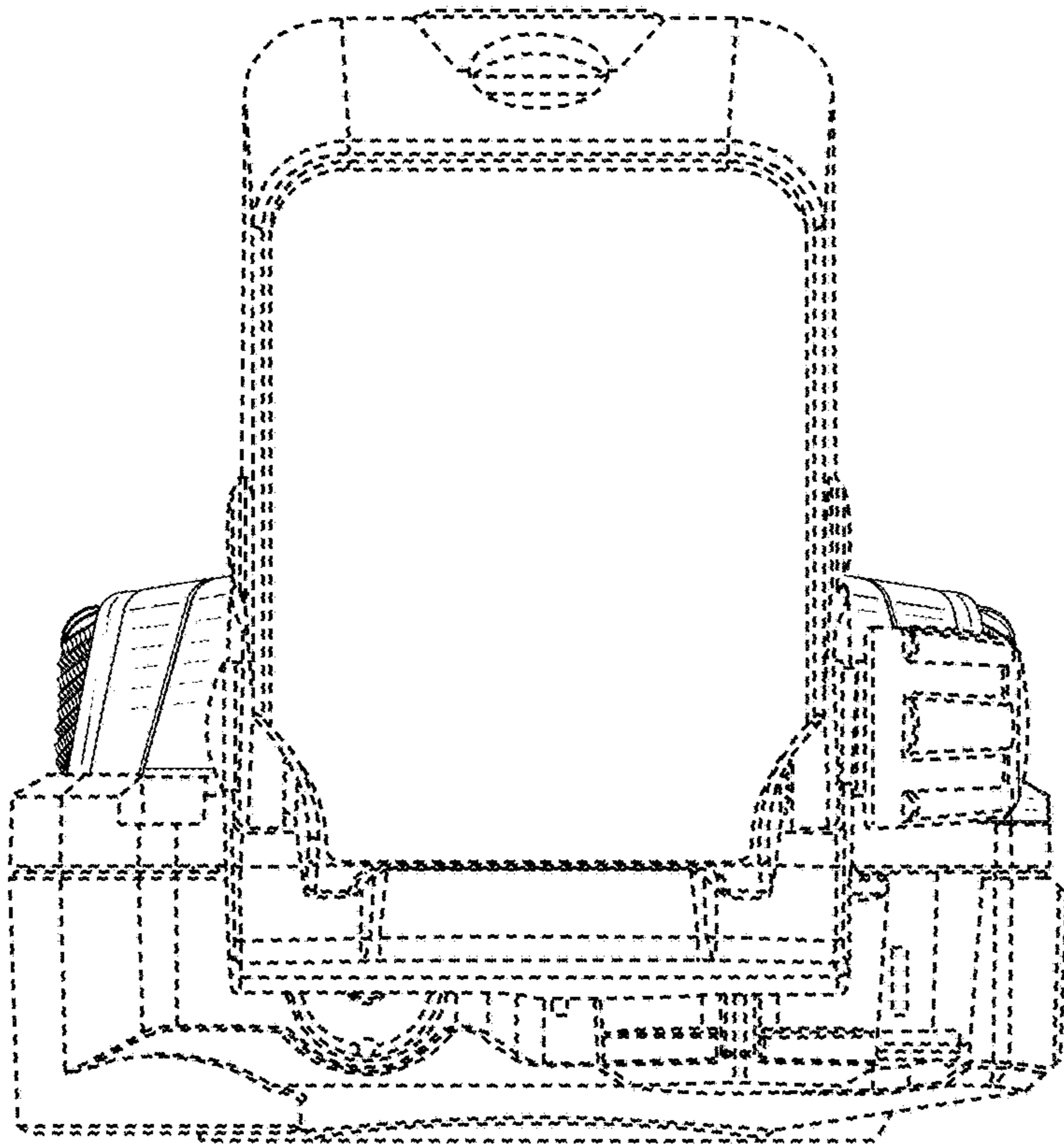


FIG. 7

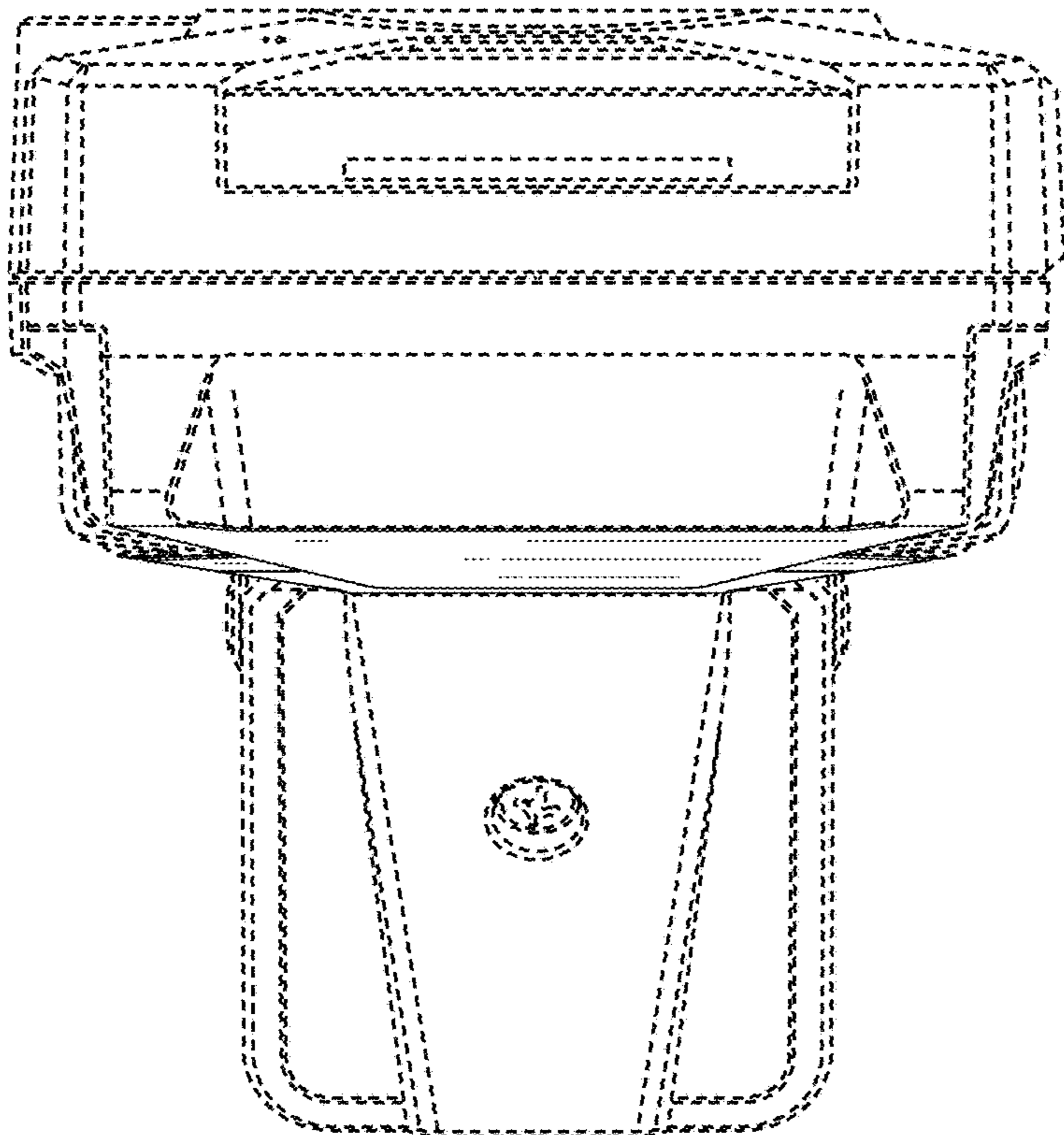


FIG. 8