



US00D805574S

(12) **United States Design Patent** (10) **Patent No.:** **US D805,574 S**
Nohechi et al. (45) **Date of Patent:** **** *Dec. 19, 2017**

(54) **PROJECTOR**

D557,317 S * 12/2007 Schoenert D16/225
D609,733 S * 2/2010 Hsiao D16/225
D683,782 S * 6/2013 Ishibashi D16/230

(Continued)

(71) Applicant: **Hitachi Maxell, Ltd.**, Ibaraki-shi,
Osaka (JP)

Primary Examiner — Wan Laymon

(72) Inventors: **Hideki Nohechi**, Ibaraki (JP); **Hiroyuki Inoue**, Ibaraki (JP); **Takeshi Katayama**, Ibaraki (JP)

(74) *Attorney, Agent, or Firm* — Crowell & Moring LLP

(73) Assignee: **Hitachi Maxell, Ltd.**, Ibaraki-shi (JP)

(57) **CLAIM**

We claim the ornamental design for a projector, as shown and described.

(*) Notice: This patent is subject to a terminal disclaimer.

DESCRIPTION

(**) Term: **15 Years**

This application contains subject matter related to the following co-pending U.S. design patent applications:

(21) Appl. No.: **29/534,218**

Application Ser. No. 29/534,215 filed herewith and entitled "Projector";

(22) Filed: **Jul. 27, 2015**

Application Ser. No. 29/534,210 filed herewith and entitled "Projector"; and

(30) **Foreign Application Priority Data**

Application Ser. No. 29/534,209 filed herewith and entitled "Projector".

Jan. 29, 2015 (JP) 2015-001616

(51) **LOC (10) Cl.** **16-02**

FIG. 1 is an enlarged perspective view taken along line 1-1 in FIG. 7 from the lower rear side of a portion of the projector showing our new design;

(52) **U.S. Cl.**
USPC **D16/235**

FIG. 2 is a front side elevational view thereof;

(58) **Field of Classification Search**

USPC D16/221, 225, 222-224, 227-235;
D21/514

FIG. 3 is a rear side elevational view thereof;

CPC G03B 21/00; G03B 21/001; G03B 21/003;
G03B 21/14; G03B 21/145; G03B 21/32

FIG. 4 is a top plan view thereof;

See application file for complete search history.

FIG. 5 is a bottom plan view thereof;

FIG. 6 is a left side elevational view thereof; and

(56) **References Cited**

U.S. PATENT DOCUMENTS

D253,058 S * 10/1979 Antos D16/229
D253,708 S * 12/1979 Mankau D16/229
D256,248 S * 8/1980 Alt D16/233
D442,983 S * 5/2001 Goto D16/225
D504,453 S * 4/2005 Junsi D16/230
D555,185 S * 11/2007 Nozue D16/225

FIG. 7 is a right side elevational view thereof;

FIG. 8 is an enlarged rear side elevational view thereof, taken along line 8-8 in FIG. 3;

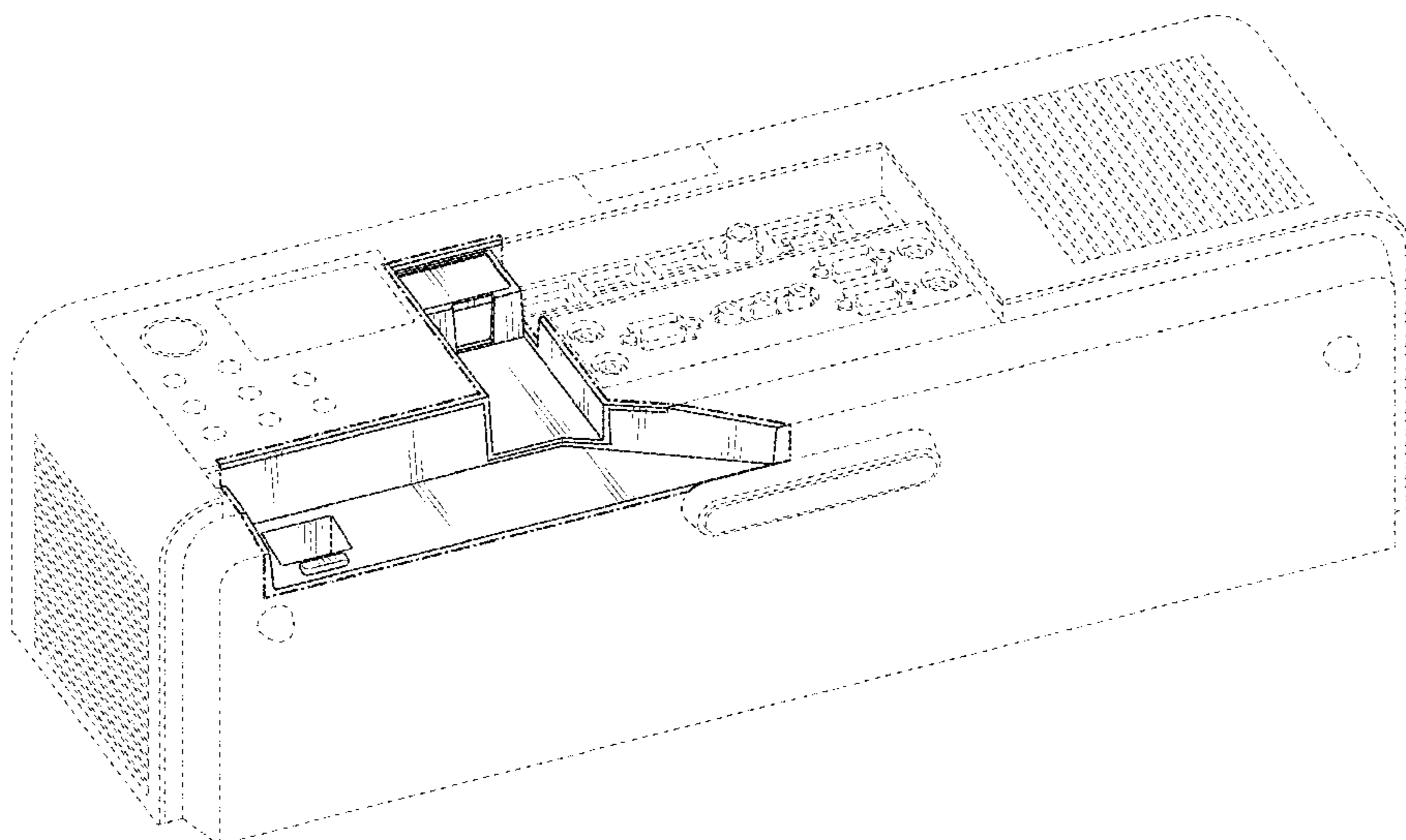
FIG. 9 is an enlarged bottom plan view thereof, taken along line 9-9 in FIG. 5; and,

FIG. 10 is a cross-sectional view thereof, taken along line 10-10 in FIG. 9.

The dashed-dot-dashed lines represent the boundary lines of the claimed design.

The broken lines shown in the drawings represent portions of the projector that form no part of the claimed design.

1 Claim, 8 Drawing Sheets



(56)

References Cited

U.S. PATENT DOCUMENTS

9,110,360 B2 * 8/2015 Mikutsu G03B 21/145
2011/0296804 A1 * 12/2011 Kotani G03B 21/14
55/296

* cited by examiner

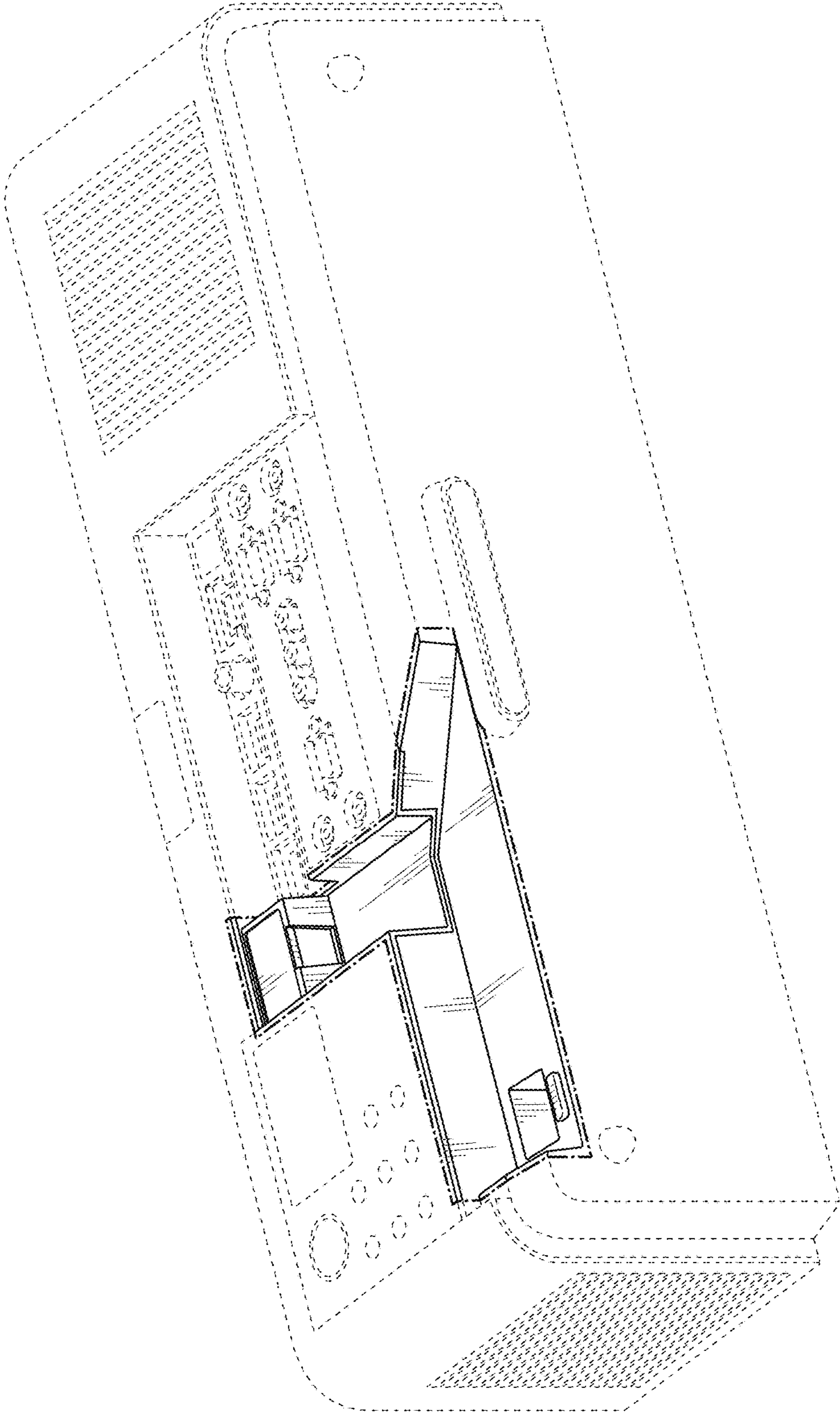


FIG. 1

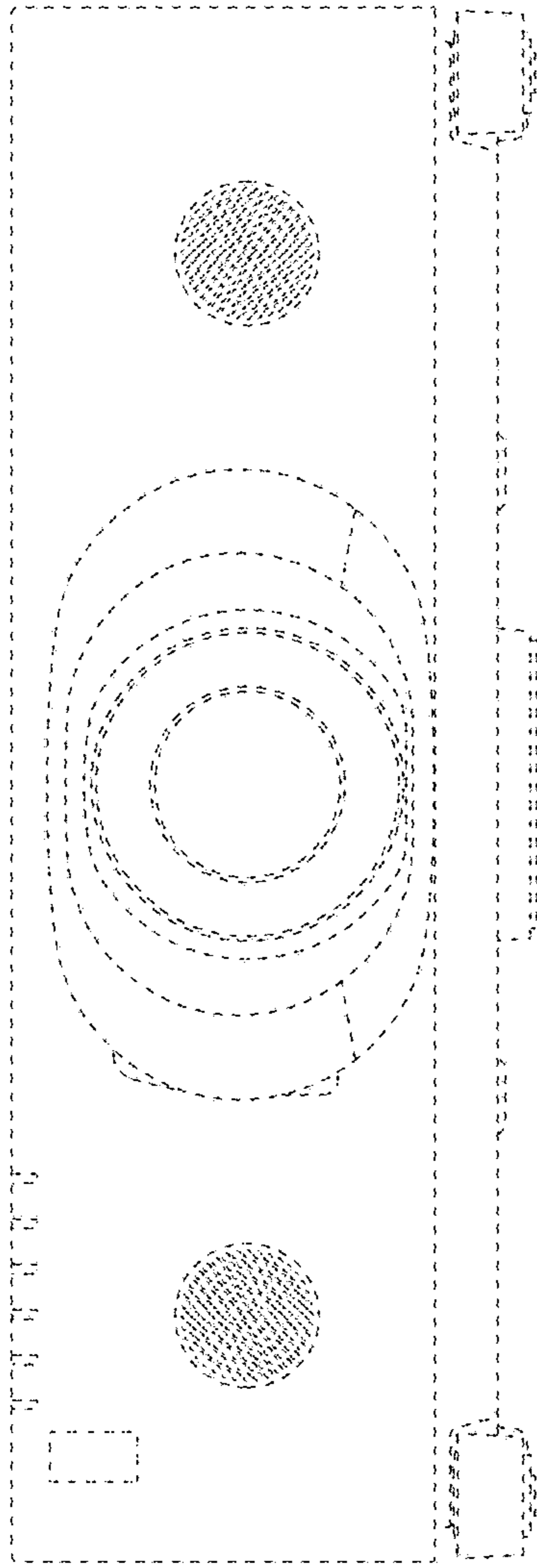


FIG. 2

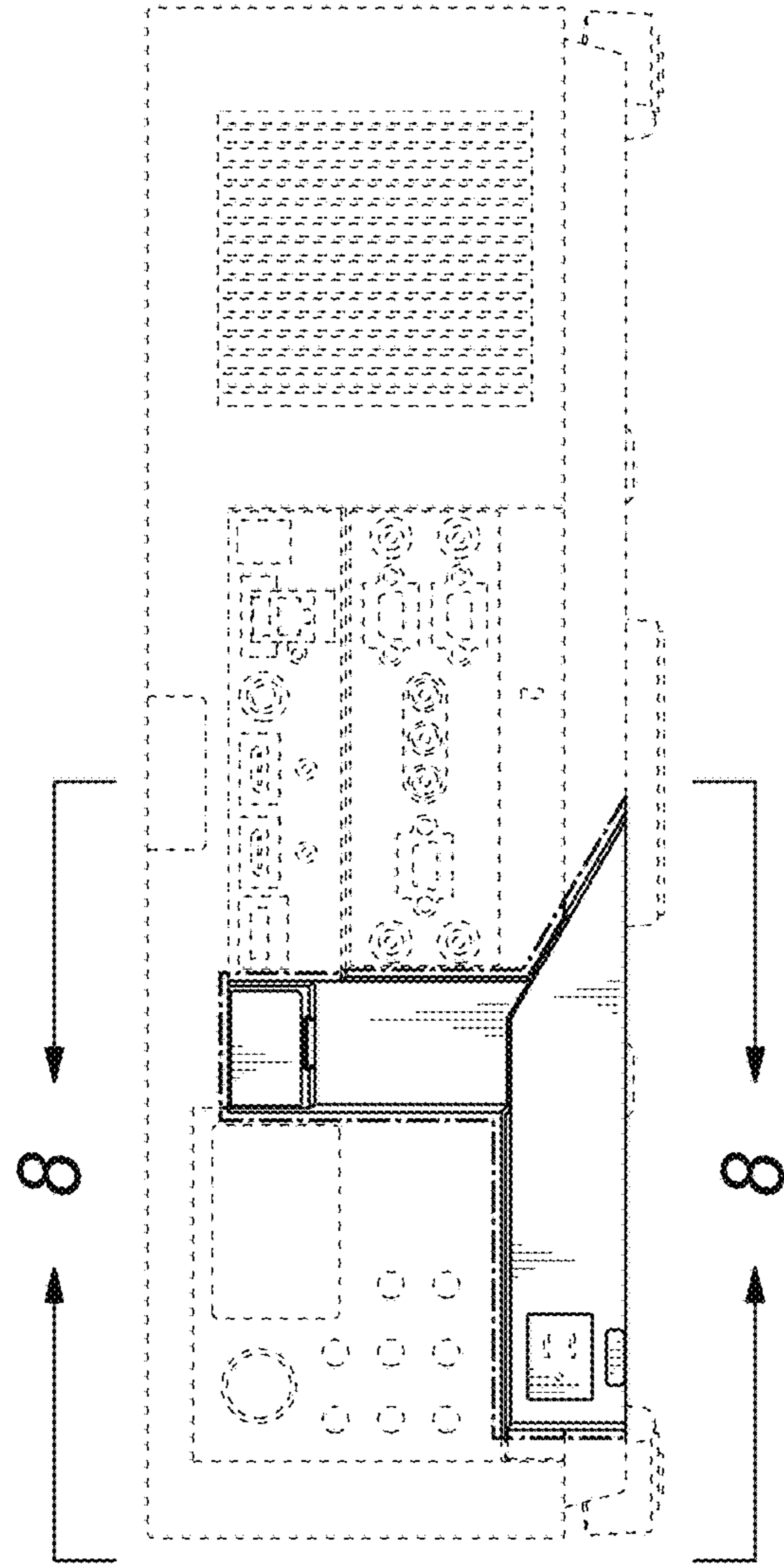


FIG. 3

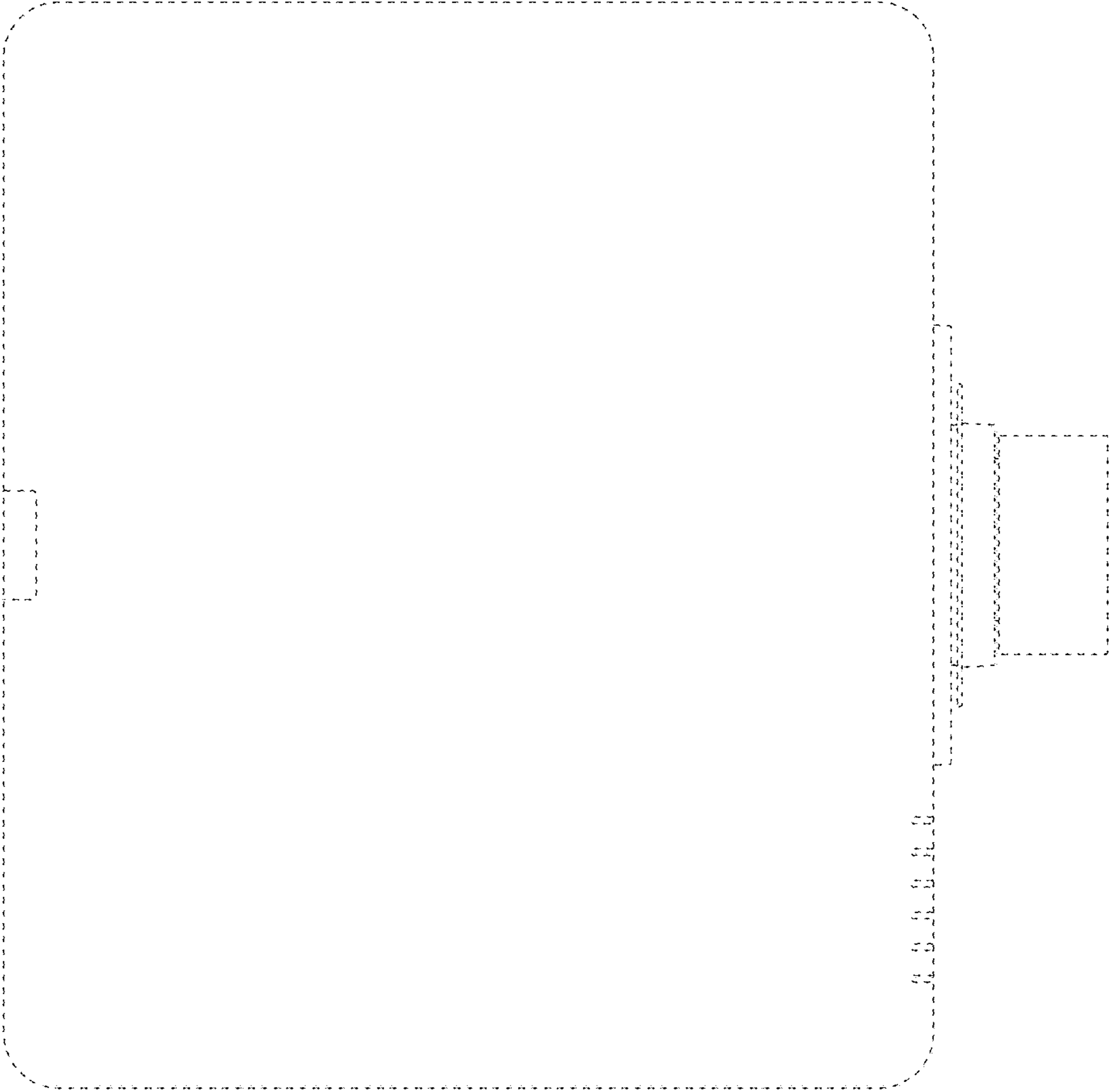


FIG. 4

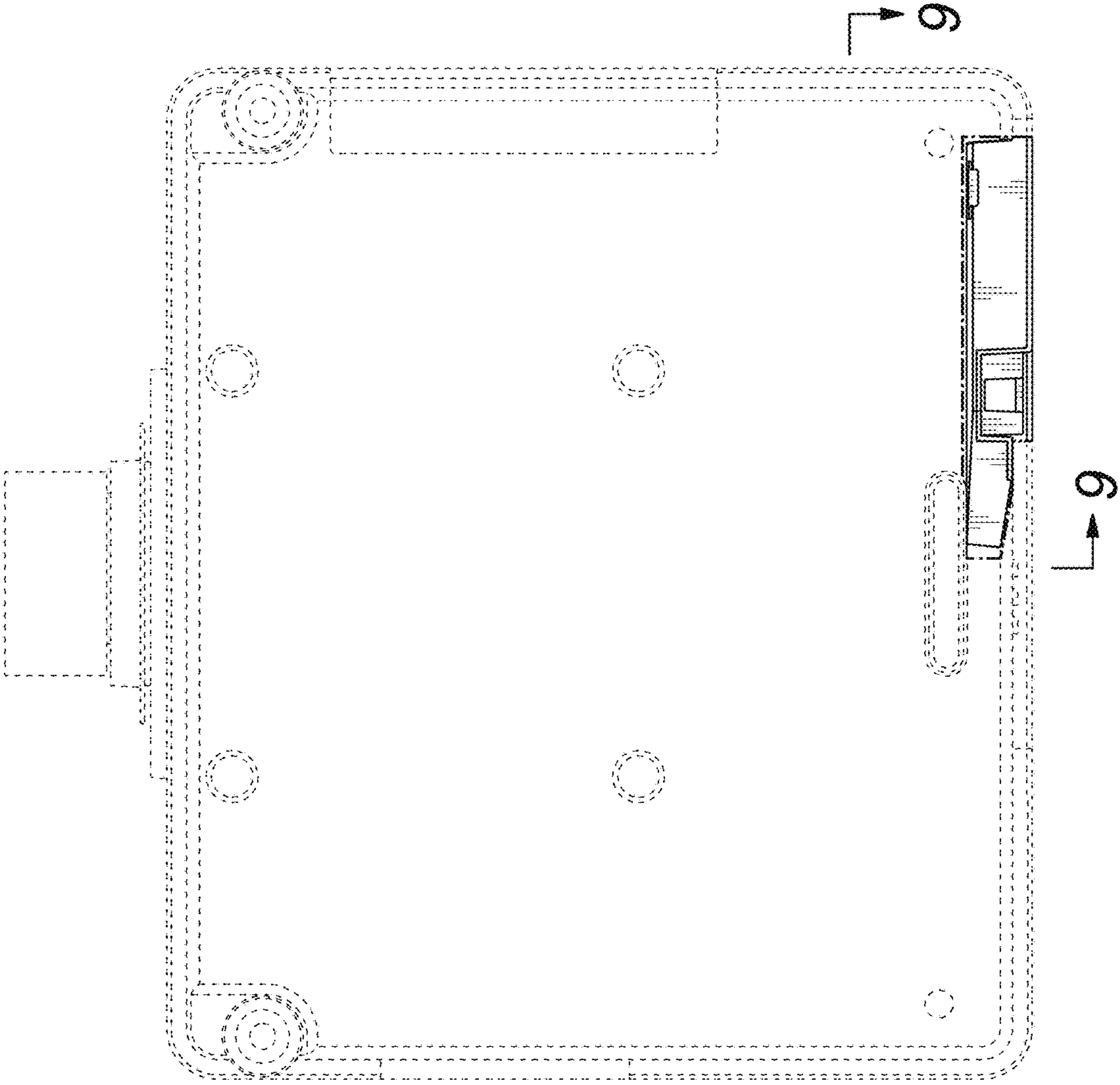


FIG. 5

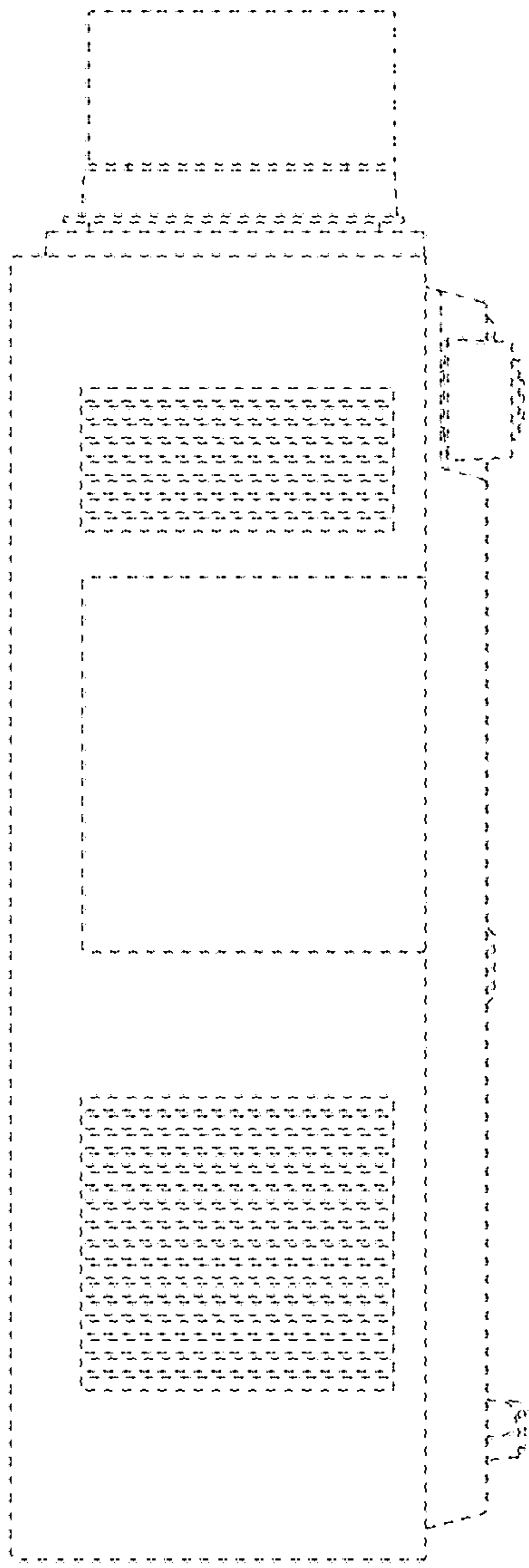


FIG. 6

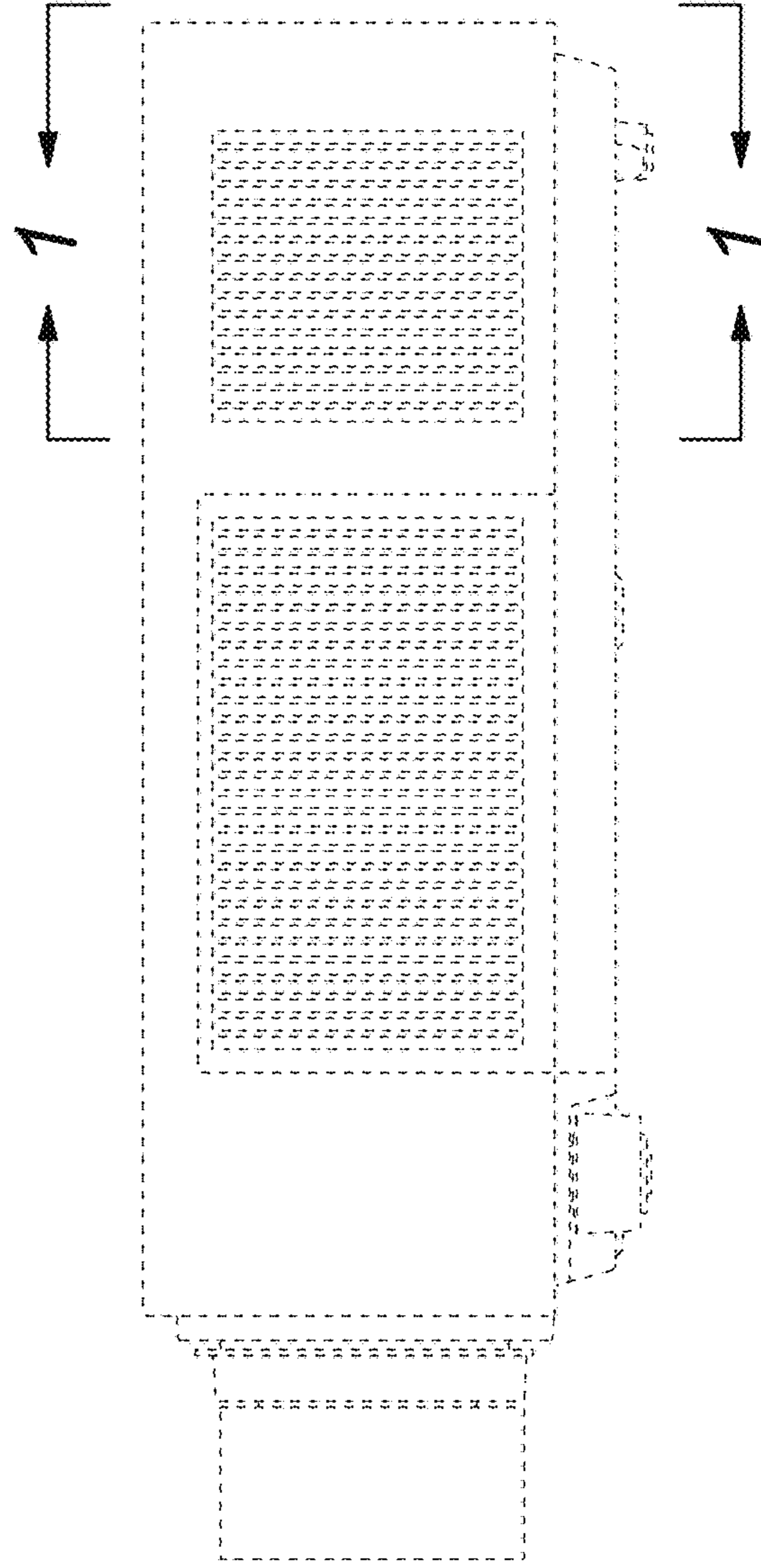


FIG. 7

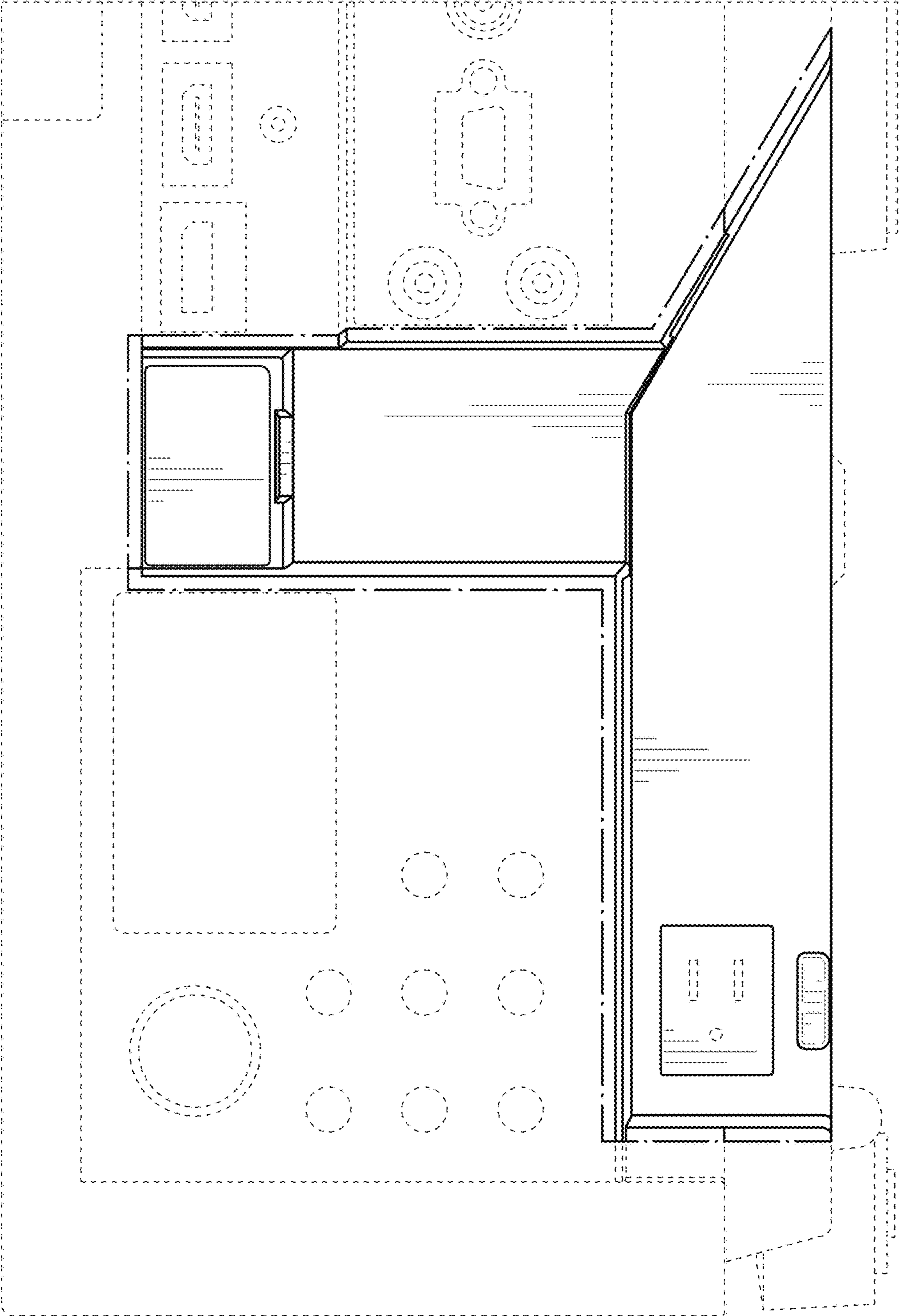


FIG. 8

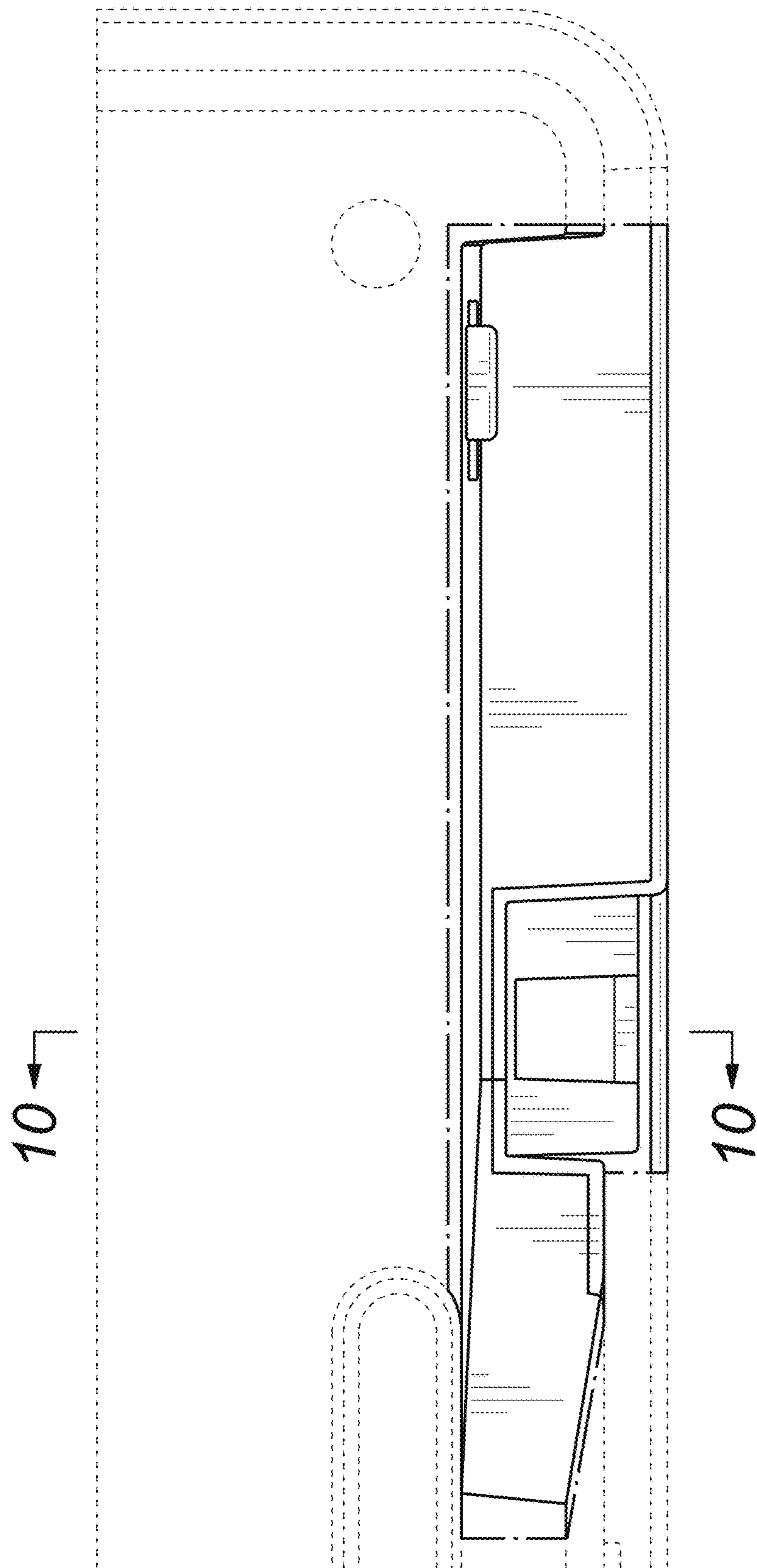


FIG. 9

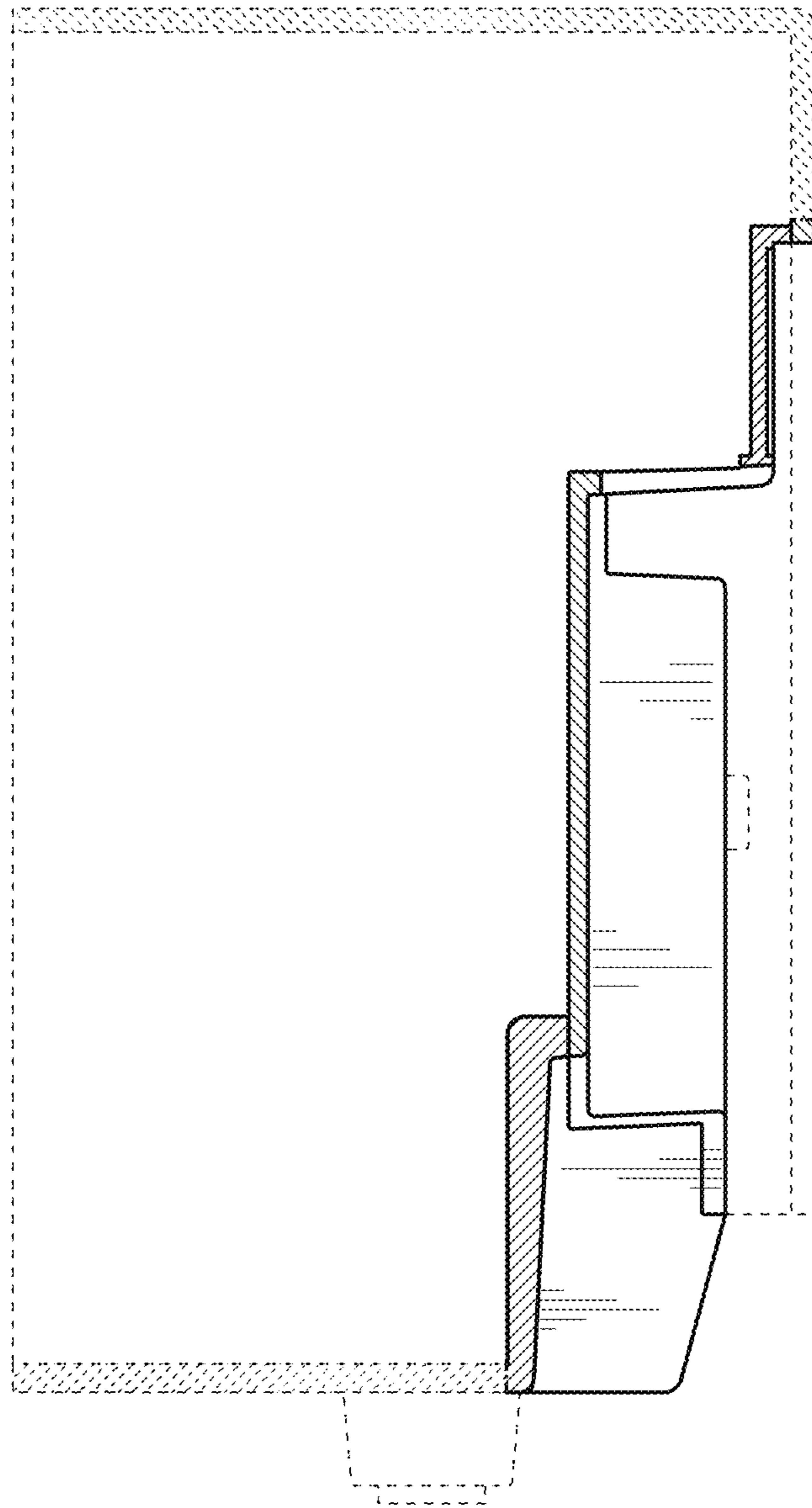


FIG. 10