



US00D805573S

(12) **United States Design Patent** (10) **Patent No.:** **US D805,573 S**
Xia (45) **Date of Patent:** **** Dec. 19, 2017**

(54) **MAGNETIC MOUNT FOR ELECTRONIC DEVICE**
(71) Applicant: **Shenzhen Shixian Security Technology Co., Ltd., Shenzhen (CN)**
(72) Inventor: **Hongxing Xia, Shenzhen (CN)**
(**) Term: **15 Years**

(21) Appl. No.: **29/561,686**
(22) Filed: **Apr. 19, 2016**
(51) **LOC (10) Cl.** **16-05**
(52) **U.S. Cl.**
USPC **D16/219**

(58) **Field of Classification Search**
USPC ... D14/307, 218, 130, 144, 140.2, 132, 341, D14/345, 358, 242, 231, 317, 203.8, D14/209.1, 212, 421-423; D16/200-220, D16/229, 230, 242, 244, 245, 238; D20/21, 38; D23/283, 305; D25/20, 58; D10/21, 25, 29, 53, 10, 49, 50; D26/93; D9/430; D6/338
CPC H04N 7/181; H04N 7/183; H04N 7/18; H04N 3/08; H04N 5/23248; H04N 5/23287; H04N 5/23258; H04N 5/2251; H04N 5/2252; H04N 2007/145; H04N 7/00; G01C 11/025; G03B 15/00; G03B 15/03; G03B 17/56; G03B 17/02; G03B 17/30; G03B 17/04; G03B 17/00; G03B 19/04; G03B 3/00; B60R 1/00; B60R 2300/105; G08B 13/19619; G08B 13/1963; G08B 13/19632; F16M 11/04; F16M 13/00; Y02E 60/12; G02B 5/00
See application file for complete search history.

(56) **References Cited**
U.S. PATENT DOCUMENTS
D219,396 S * 12/1970 Bodkins D16/136
D265,182 S * 6/1982 Ornatek D1/106
D307,759 S * 5/1990 Pagano D16/203
D339,548 S * 9/1993 Kian D11/103

D441,638 S * 5/2001 Kelleghan D8/356
D443,979 S * 6/2001 Rijlaarsdam D3/201
D559,394 S * 1/2008 Ji D24/214
D579,474 S * 10/2008 Yoo D16/203
D588,180 S * 3/2009 Yamane D16/202
D603,441 S * 11/2009 Wada D16/203
D605,337 S * 12/2009 Zhang D26/93
D646,836 S * 10/2011 Wauters D26/93
(Continued)

OTHER PUBLICATIONS

Teleco Remote, announced 2017, [site visited May 17, 2017] Available from Internet URL: <<http://www.remote-control-esma.com/teleco-txp-433-a02-remote-control/>>.*
Squito Camera, announced Aug. 29, 2012, [site visited May 16, 2016] Available from Internet: <<http://www.serveball.com/k/news.php>>.*

(Continued)

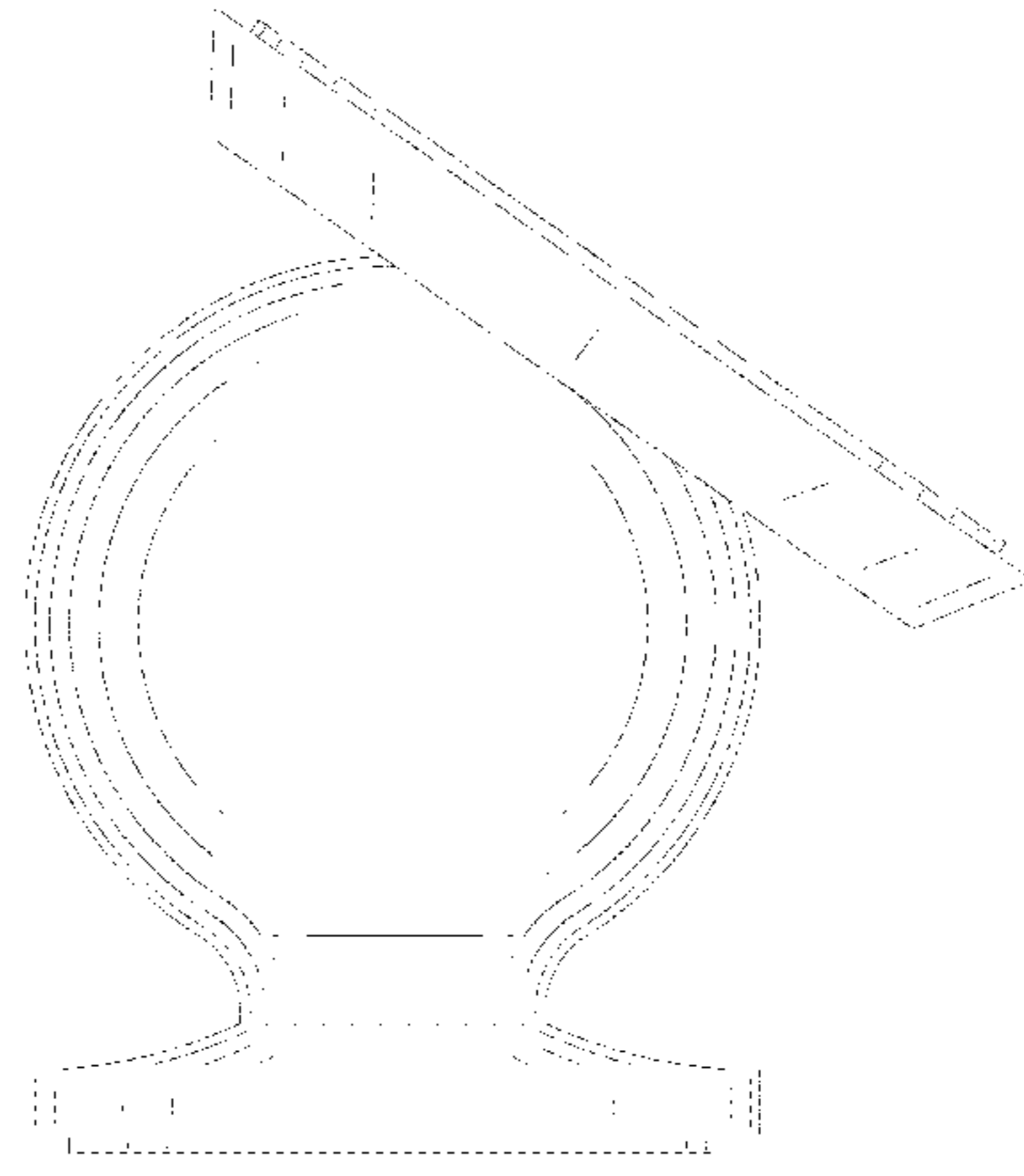
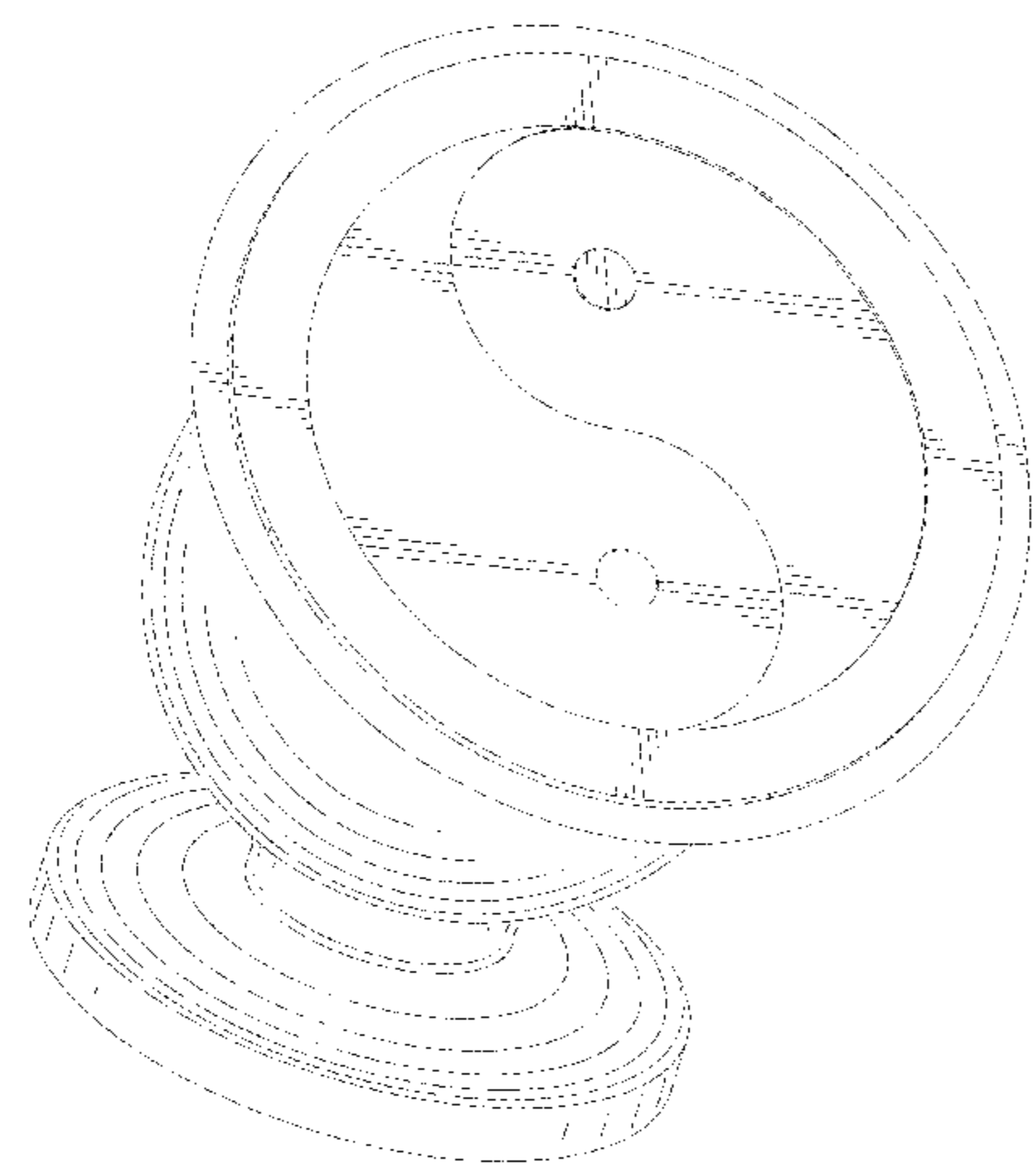
Primary Examiner — Barbara Fox
Assistant Examiner — Mary C Ramirez
(74) *Attorney, Agent, or Firm* — Novoclaims Patent Services LLC; Mei Lin Wong

(57) **CLAIM**
The ornamental design for a magnetic mount for electronic device, as shown and described.

DESCRIPTION

FIG. 1 is a front, left perspective view of a magnetic mount for electronic device showing my new design; FIG. 2 is a rear, left perspective view thereof; FIG. 3 is a front view thereof; FIG. 4 is a rear view thereof; FIG. 5 is a left side view thereof; FIG. 6 is a right side view thereof; FIG. 7 is a top view thereof; and, FIG. 8 is a bottom view thereof.
The broken lines shown in the drawings depict portions of the magnetic mount for electronic device that form no part of the claimed design.

1 Claim, 8 Drawing Sheets



(56)

References Cited

U.S. PATENT DOCUMENTS

D663,066 S * 7/2012 Wang D26/93
D688,149 S * 8/2013 Llacuna D11/1
D690,455 S * 9/2013 Hagenauer D26/93
D728,654 S * 5/2015 Lee D16/202
D745,916 S * 12/2015 Oh D16/134
D746,350 S * 12/2015 Li D16/203
D747,385 S * 1/2016 Scalisi D10/118.2
D748,714 S * 2/2016 Itou D16/229
D753,204 S * 4/2016 Luo D16/202
D772,457 S * 11/2016 Lee D26/52
D776,740 S * 1/2017 Okawa D16/203
D777,820 S * 1/2017 Zhang D16/218
D784,434 S * 4/2017 Benedetti D16/202

OTHER PUBLICATIONS

Camera Tripod Bolt, announced 2017, [site visited May 16, 2016]
Available from Internet: <<https://www.arkon.com/product/SP142025MM-camera-mount-adapter-1420.html>>.*

Swarovski Yin Yang Candle Holder, announced Nov. 28, 2013, [site
visited May 16, 2016] Available from Internet: <<https://www.worthpoint.com/worthopedia/swarovski-yin-yang-candle-holder-mint-485408785>>.*

PopSockets, announced Nov. 5, 2016, [site visited May 16, 2016]
Available from Internet: <https://www.amazon.com/PopSockets-Expanding-Stand-Smartphones-Tablets/dp/B01M1GJ0JU?_encoding=UTF8&psc=1>.*

Kholer Yin Yang Sink, announced Jun. 30, 2016, [site visited May
16, 2016] Available from Internet: <<https://www.lowes.com/pd/KOHLER-Yin-Yang-White-Drop-in-Oval-Bathroom-Sink-with-Overflow/999936902>>.*

* cited by examiner

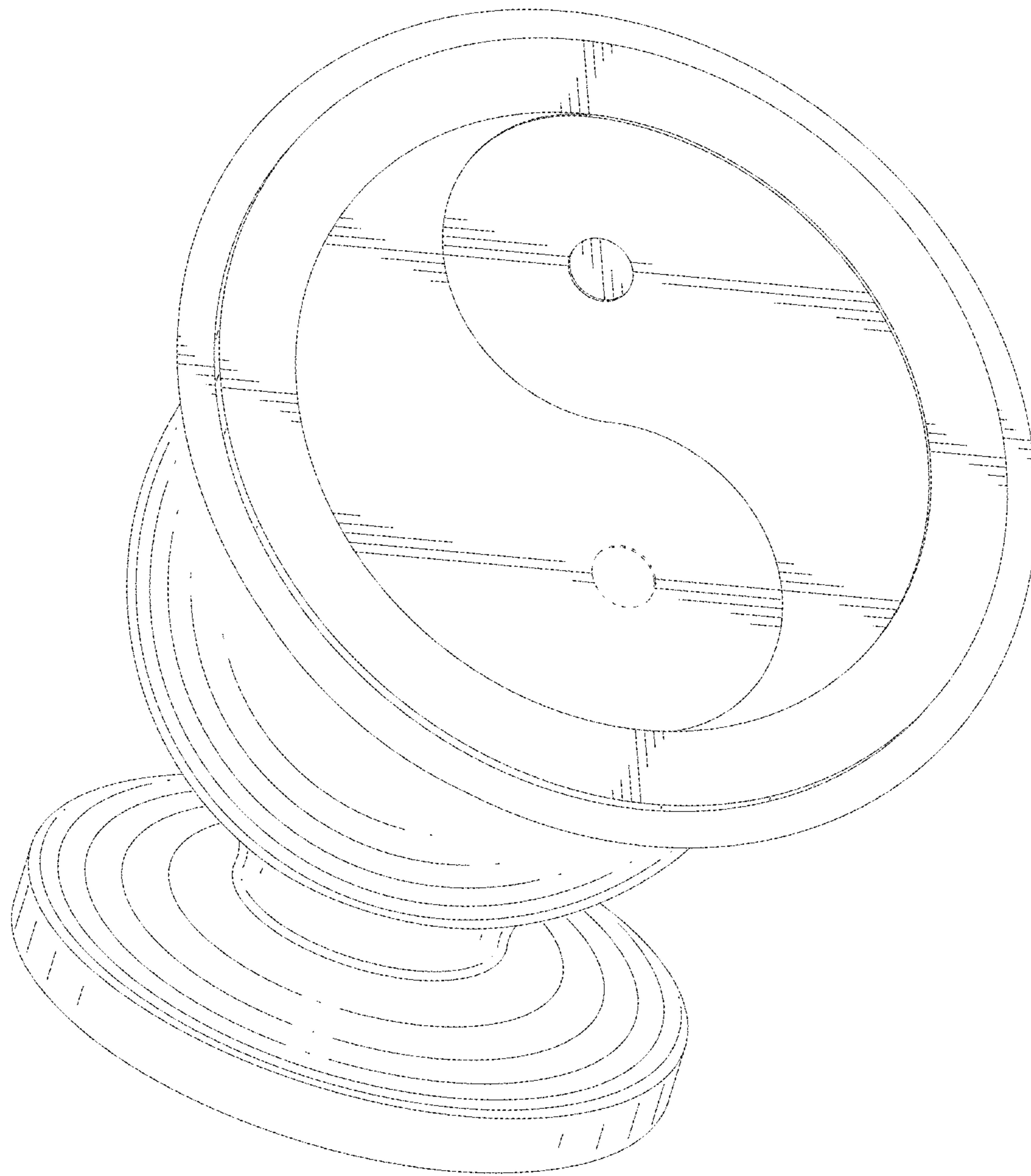


FIG.1

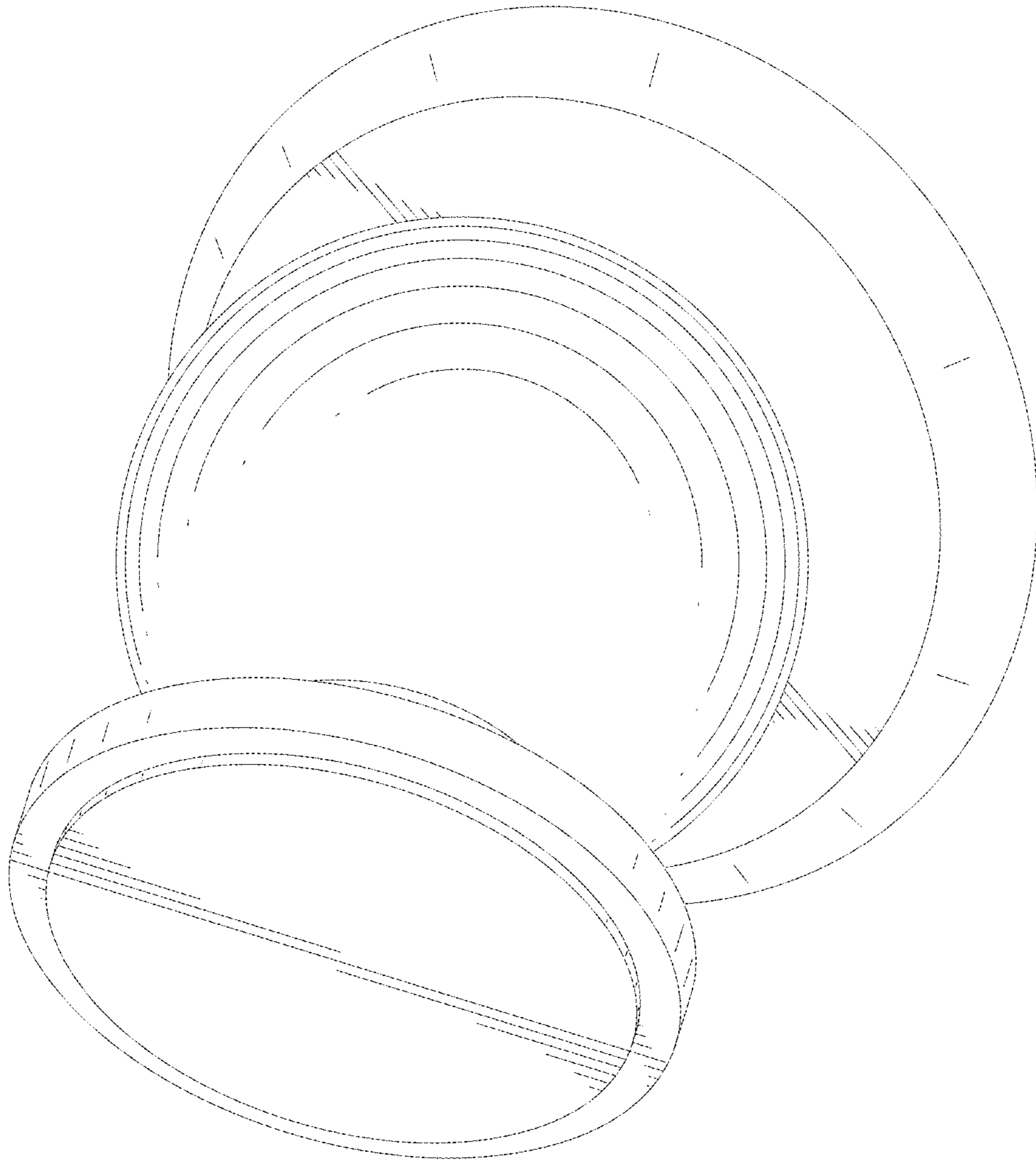


FIG.2

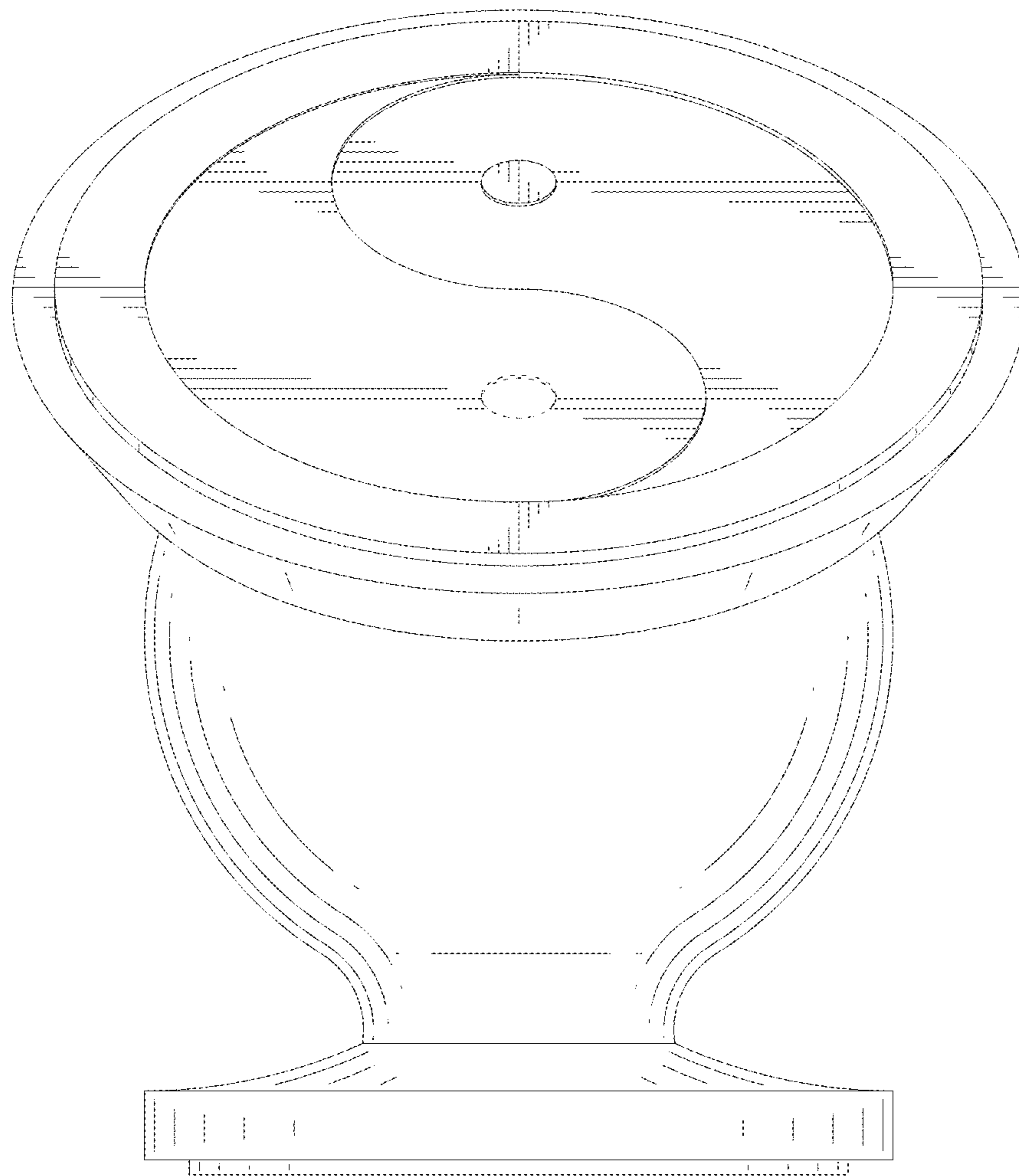


FIG.3

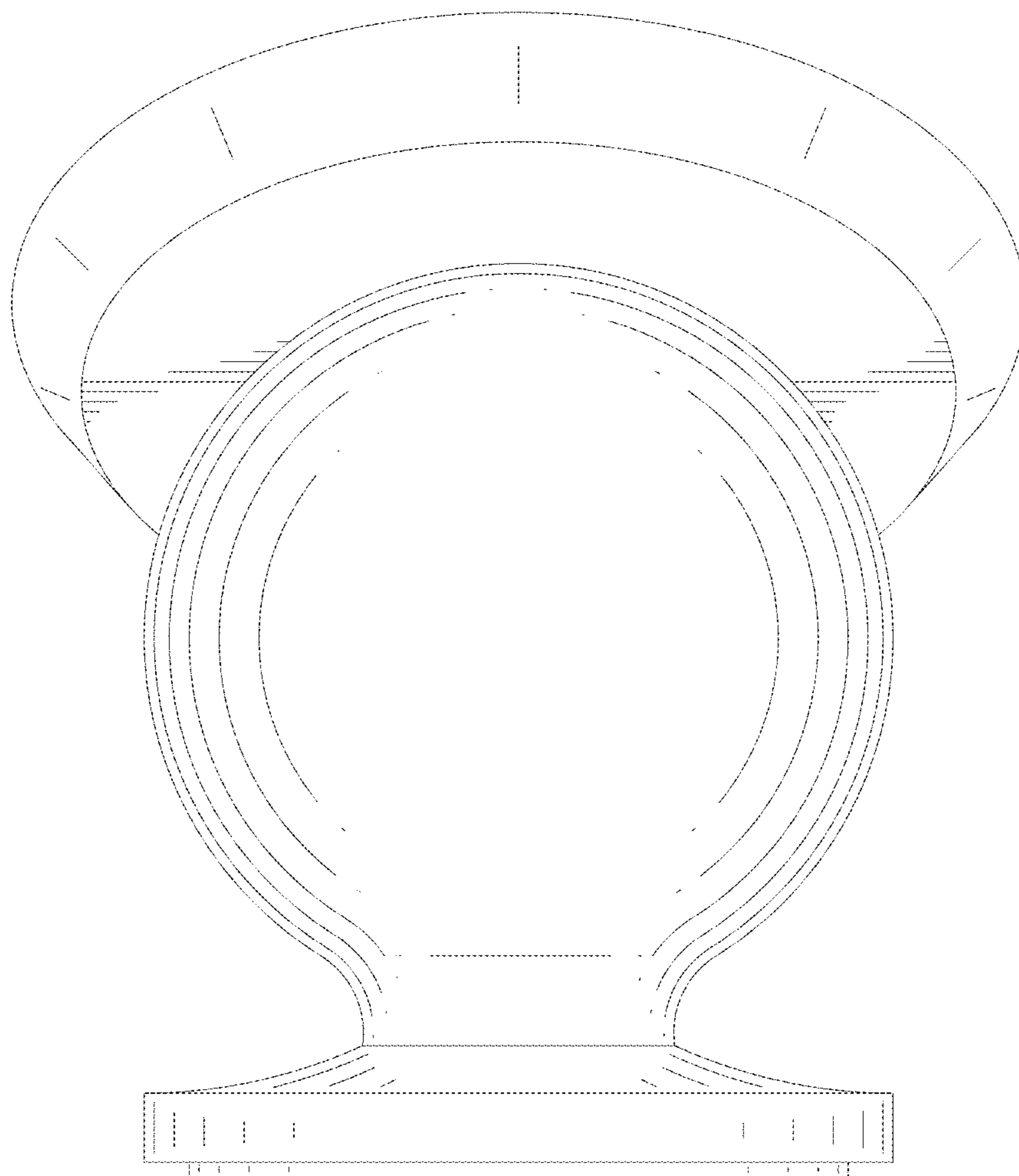


FIG.4

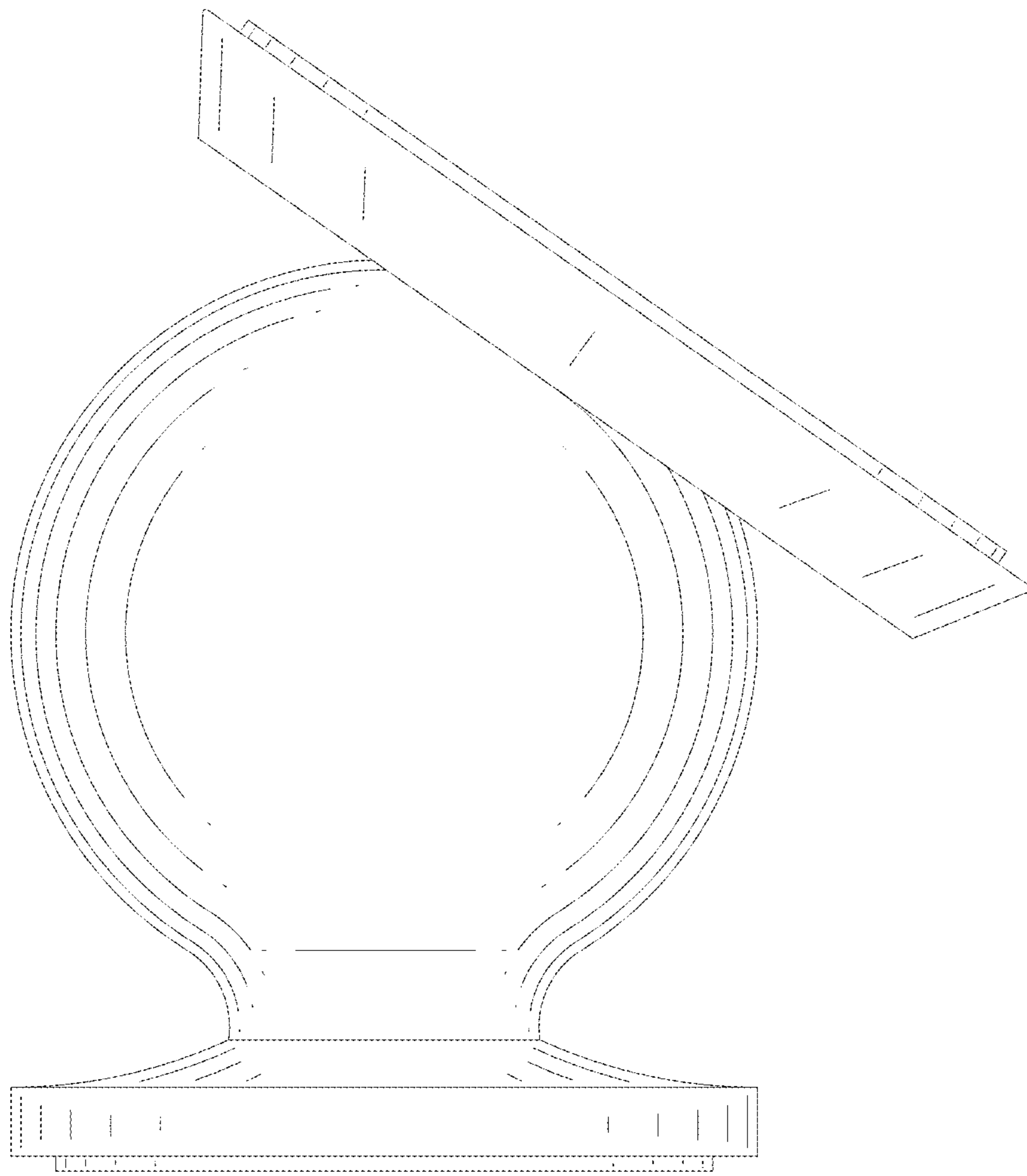


FIG.5

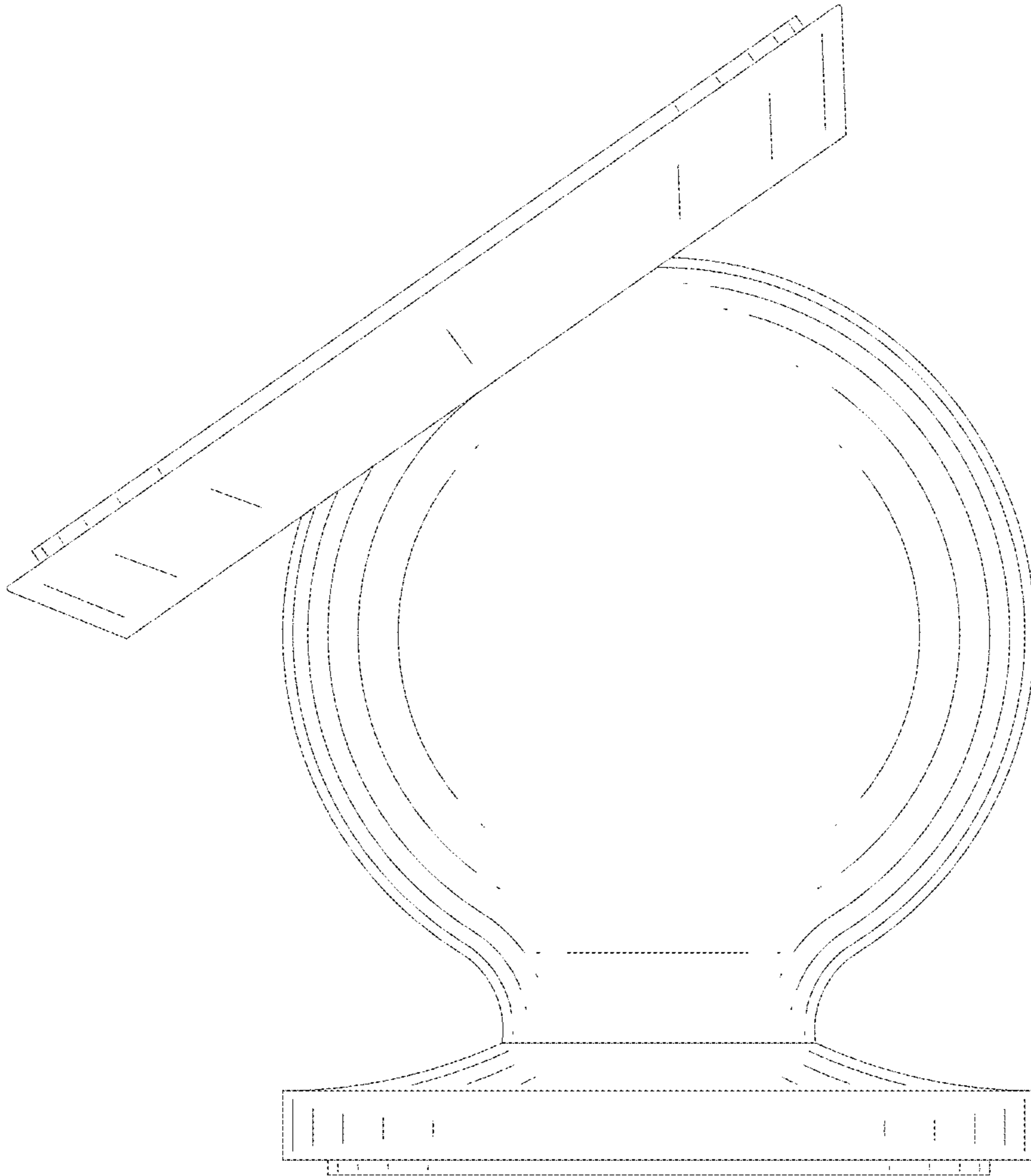


FIG.6

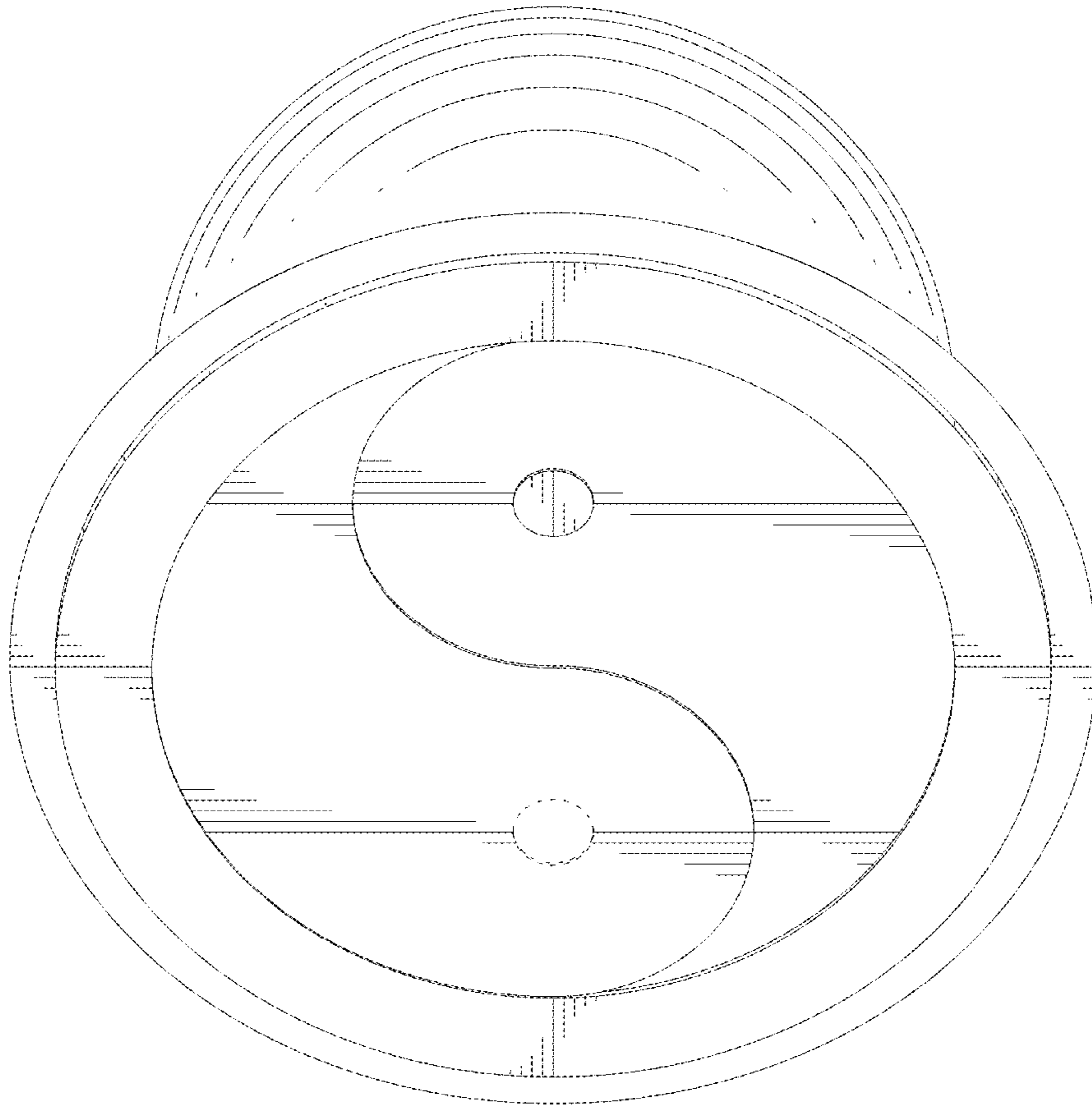


FIG.7

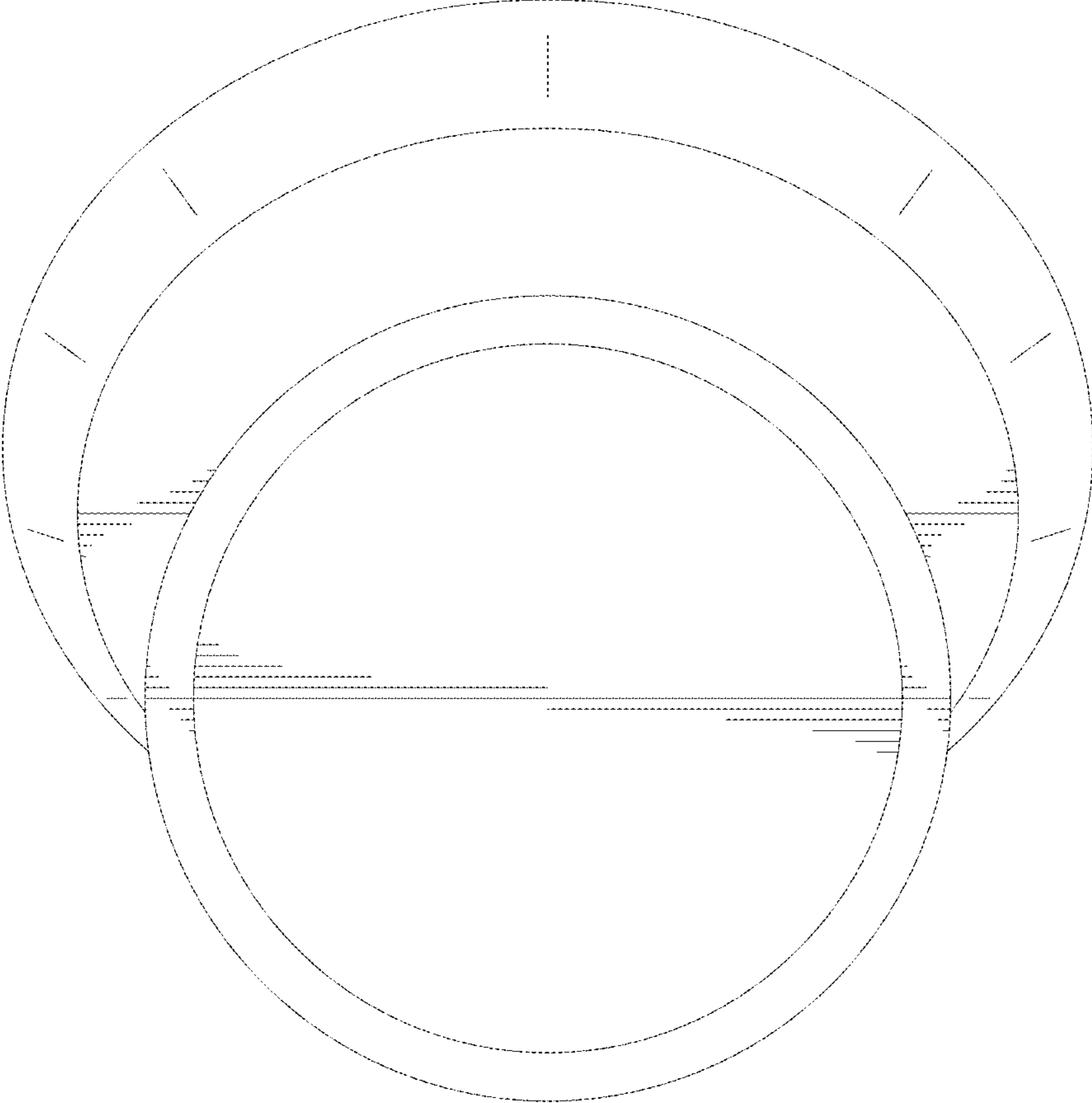


FIG.8