



US00D805572S

(12) **United States Design Patent**
Högstedt et al.

(10) **Patent No.:** **US D805,572 S**

(45) **Date of Patent:** **** Dec. 19, 2017**

- (54) **CAMERA**
- (71) Applicant: **FLIR Systems AB**, Täby (SE)
- (72) Inventors: **Christian Högstedt**, Nacka (SE);
Andreas Lundbäck, Stockholm (SE);
Niklas Briheim, Stockholm (SE); **Jaan Selg**, Stockholm (SE)
- (73) Assignee: **FLIR Systems AB**, Taby (SE)
- (**) Term: **15 Years**
- (21) Appl. No.: **29/541,288**
- (22) Filed: **Oct. 1, 2015**
- (51) **LOC (10) Cl.** **16-01**
- (52) **U.S. Cl.**
USPC **D16/206**
- (58) **Field of Classification Search**
USPC D16/200, 202–206, 208, 218, 219;
348/164, 347, 373–376; 396/535,
396/539–541; 250/330, 332
CPC G03B 15/03; G03B 17/02; G03B 17/04;
G03B 17/56; G03B 19/04; H04N 5/2251;
H04N 5/2252; H04N 5/2253; H04N
5/2254; H04N 2101/00; H04N 5/33;
H04N 5/332
See application file for complete search history.

(56) **References Cited**

U.S. PATENT DOCUMENTS

D445,817 S	7/2001	Okuley
6,486,473 B2	11/2002	Salapow et al.
D466,540 S	12/2002	Lannstedt et al.
D472,911 S	4/2003	Bielefeld
D493,733 S	8/2004	Chen
D540,838 S	4/2007	Aronsson et al.
7,236,243 B2	6/2007	Beecroft et al.
7,250,603 B1	7/2007	Nugent

D585,927 S	2/2009	Sheard et al.	
D599,392 S	9/2009	Hamrelius	
D658,222 S	4/2012	Elrod et al.	
D665,440 S	8/2012	Sigward	
D666,928 S	9/2012	Elrod	
D667,040 S	9/2012	Holmes	
D674,486 S	1/2013	Onuma	
D677,298 S	3/2013	Hällgren	
D679,307 S	4/2013	Wu	
D710,424 S	8/2014	Hällgren	
D723,605 S	3/2015	Palm	
D727,393 S *	4/2015	Elrod	D16/206
D733,783 S *	7/2015	Wu	D16/206
D741,390 S *	10/2015	Mayeur	D16/206
D780,245 S *	2/2017	Ruback	D16/206
2004/0129881 A1 *	7/2004	Hamrelius	G01J 5/025 250/330
2009/0090864 A1 *	4/2009	Glatzmaier	G01J 5/04 250/330

(Continued)

Primary Examiner — Philip S Hyder

Assistant Examiner — Ramzi Almatrahi

(74) *Attorney, Agent, or Firm* — Haynes and Boone, LLP

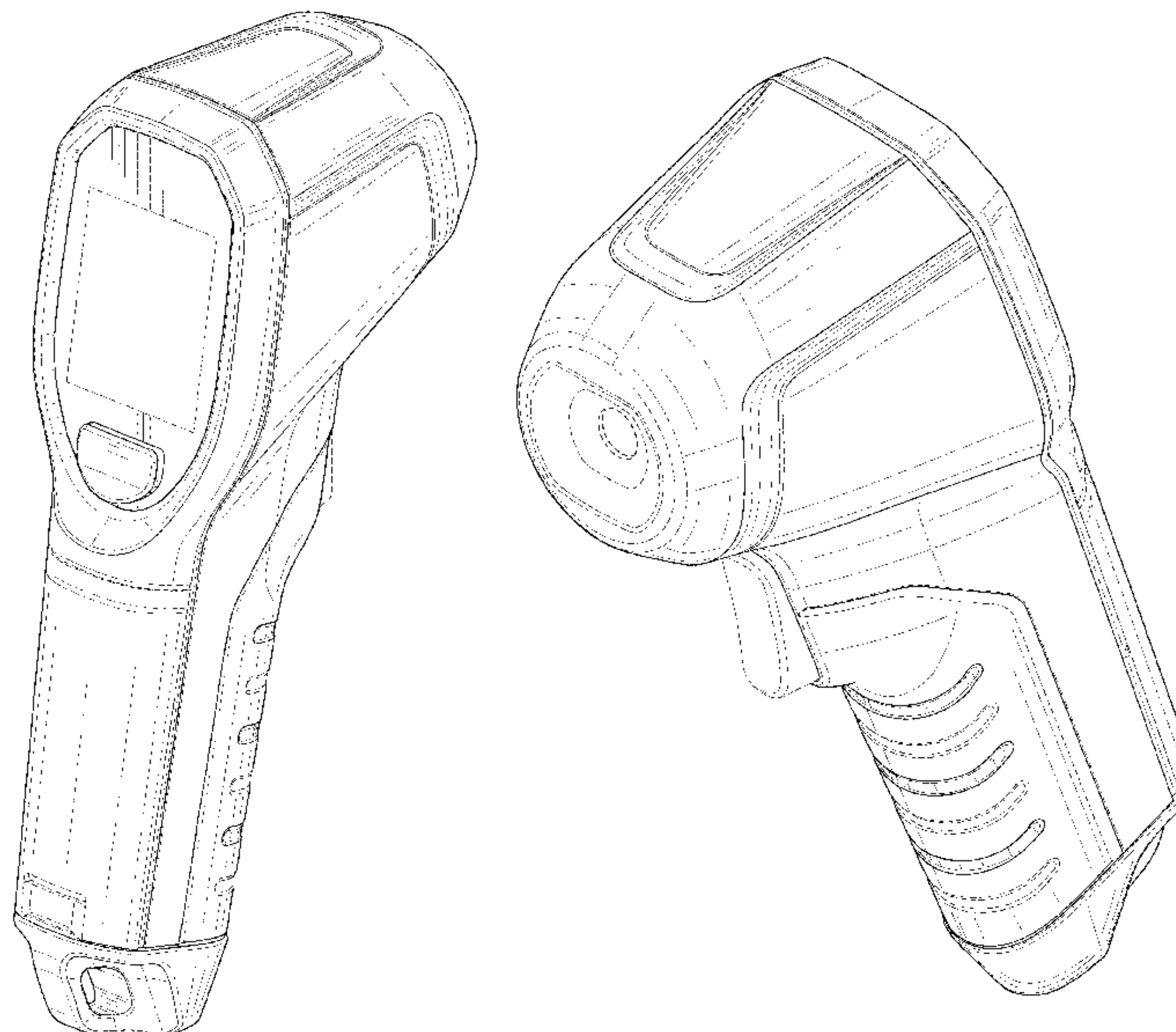
(57) **CLAIM**

The ornamental design for a camera, as shown and described.

DESCRIPTION

FIG. 1 is a rear-right-top perspective view of a camera embodying the new design;
 FIG. 2 is a front-left-top perspective view thereof;
 FIG. 3 is a left side elevational view thereof;
 FIG. 4 is a front elevational view thereof;
 FIG. 5 is a right side elevational view thereof;
 FIG. 6 is a rear elevational view thereof;
 FIG. 7 is a top plan view thereof; and,
 FIG. 8 is a bottom plan view thereof.
 The broken lines depict portions of the camera in which the design is embodied that form no part of the claimed design.

1 Claim, 7 Drawing Sheets



(56)

References Cited

U.S. PATENT DOCUMENTS

2009/0102925 A1* 4/2009 Sheard H04N 5/2252
348/164
2012/0314084 A1* 12/2012 Lammert G01J 5/02
348/164
2013/0188058 A1* 7/2013 Nguyen G01J 5/02
348/164
2014/0002668 A1 1/2014 Nguyen et al.
2014/0028854 A1 1/2014 Heinke et al.

* cited by examiner

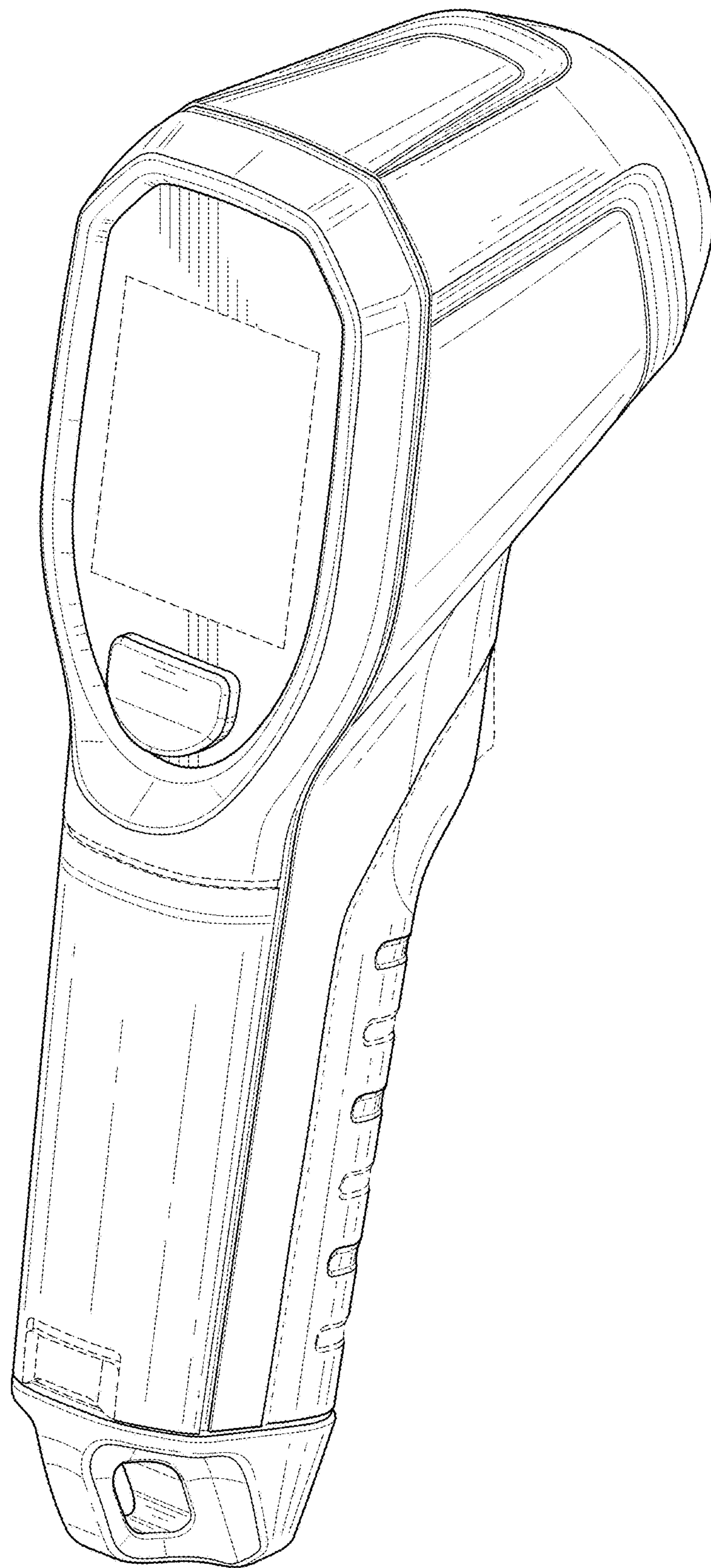


FIG. 1

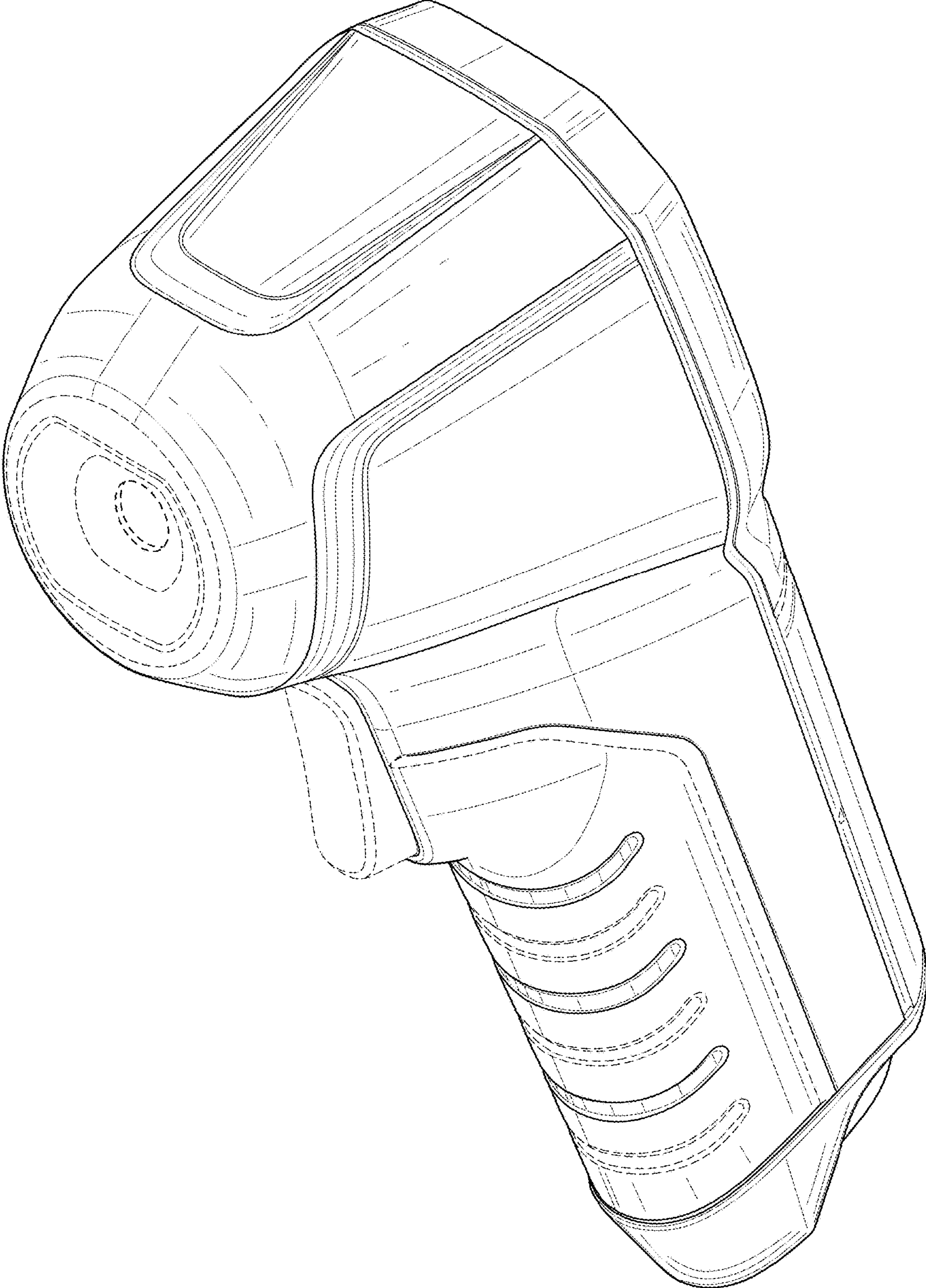


FIG. 2

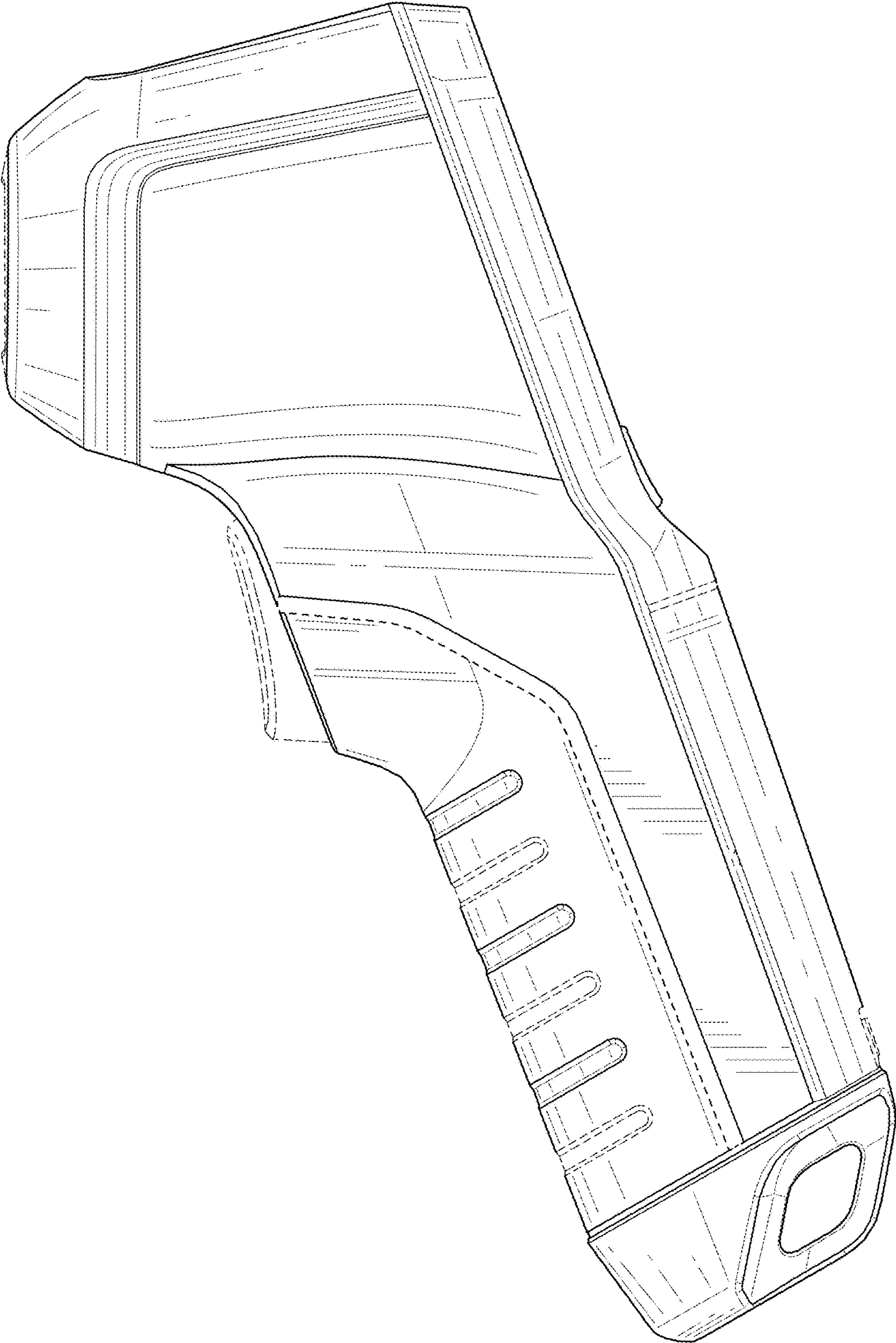


FIG. 3

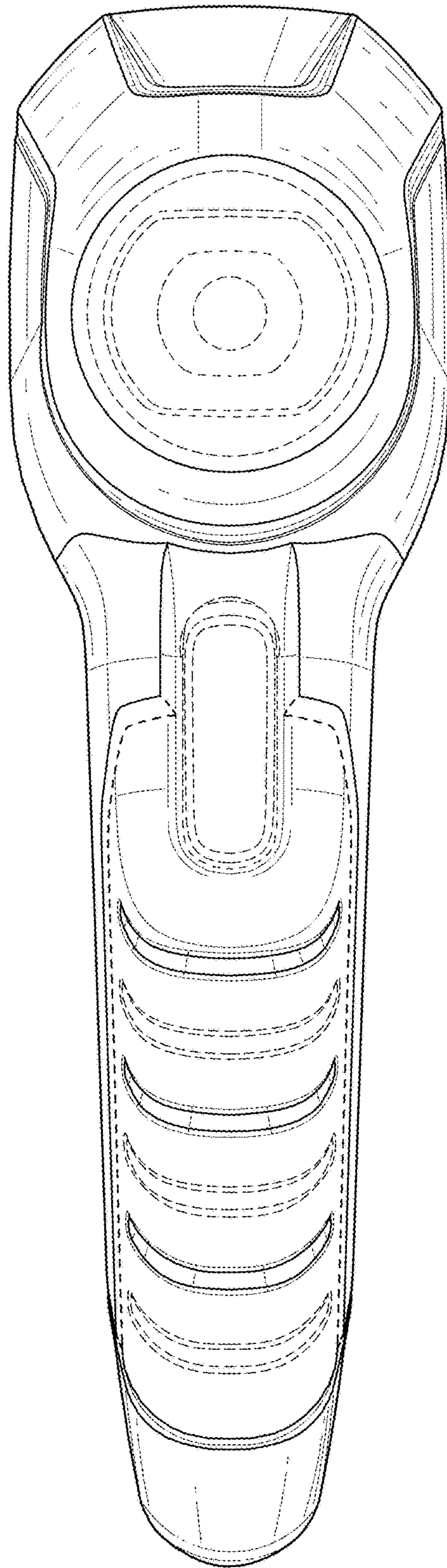


FIG. 4

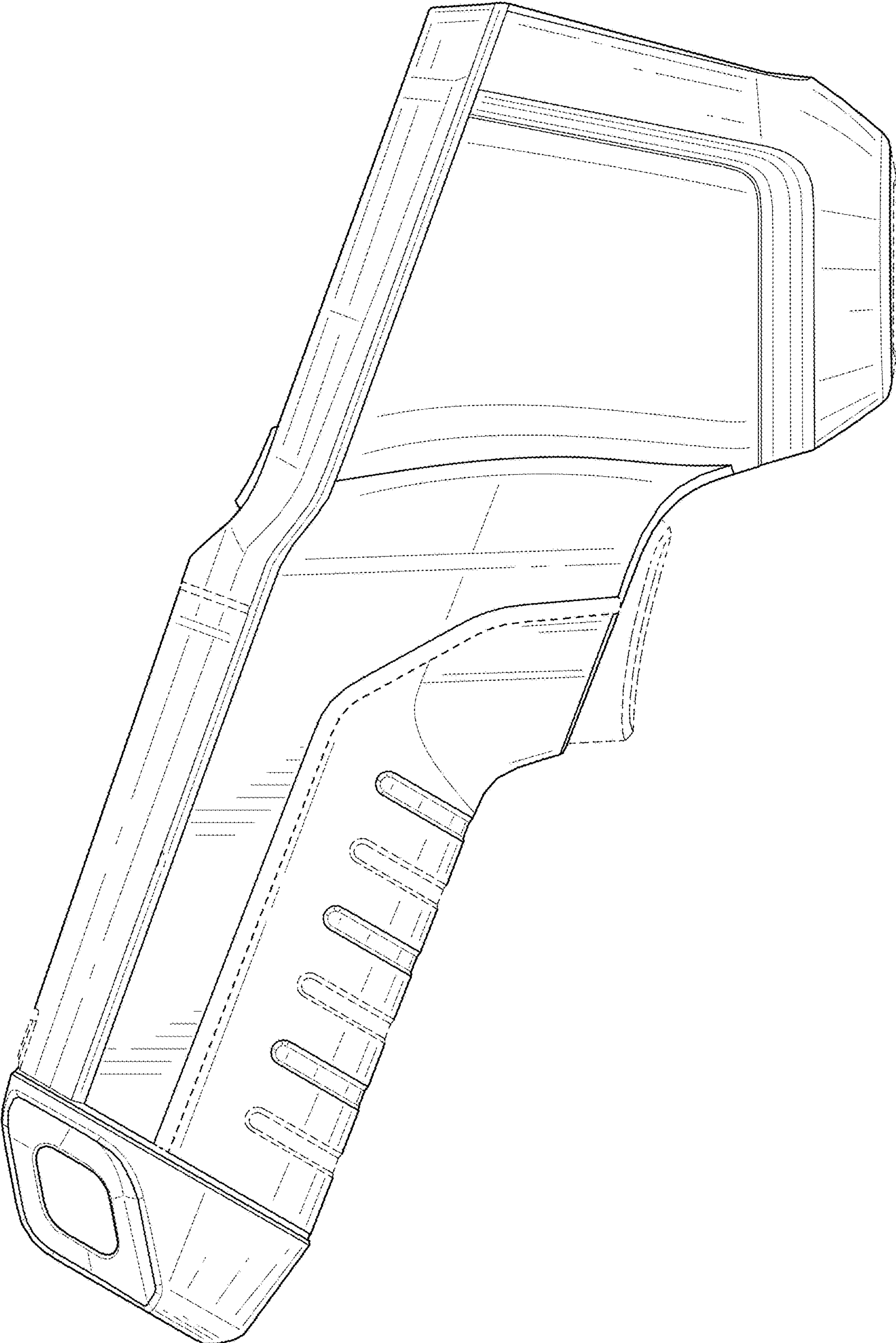


FIG. 5

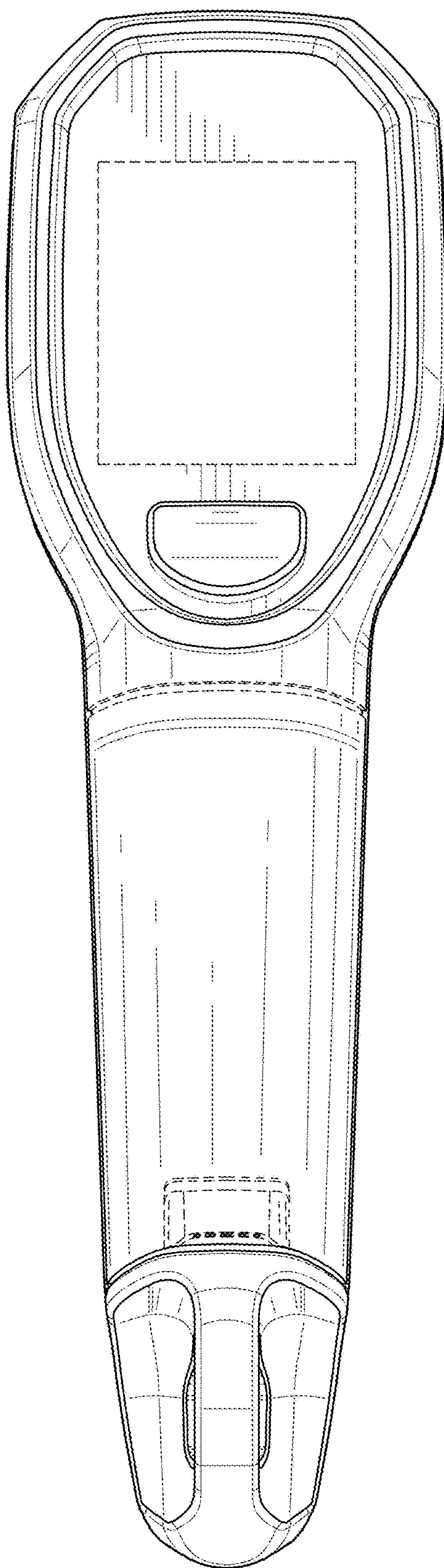


FIG. 6

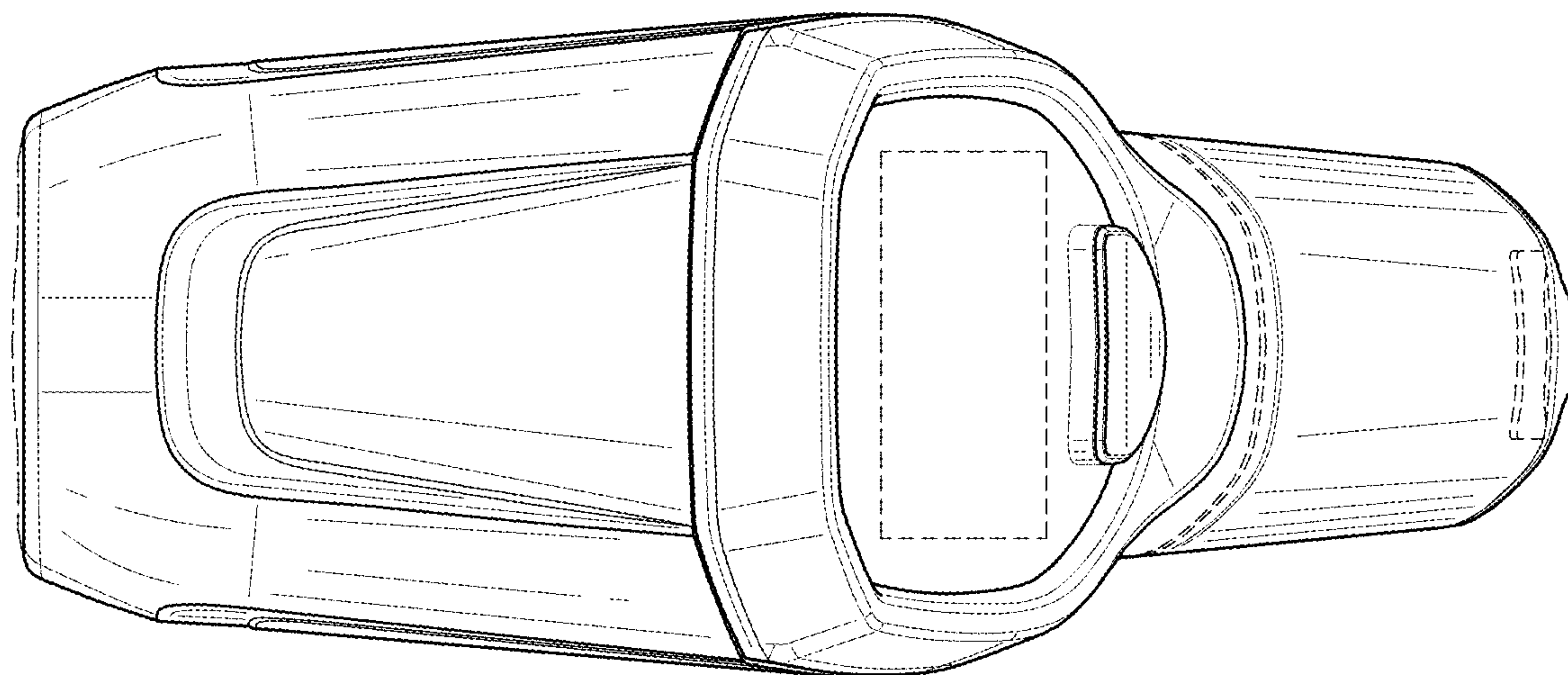


FIG. 7

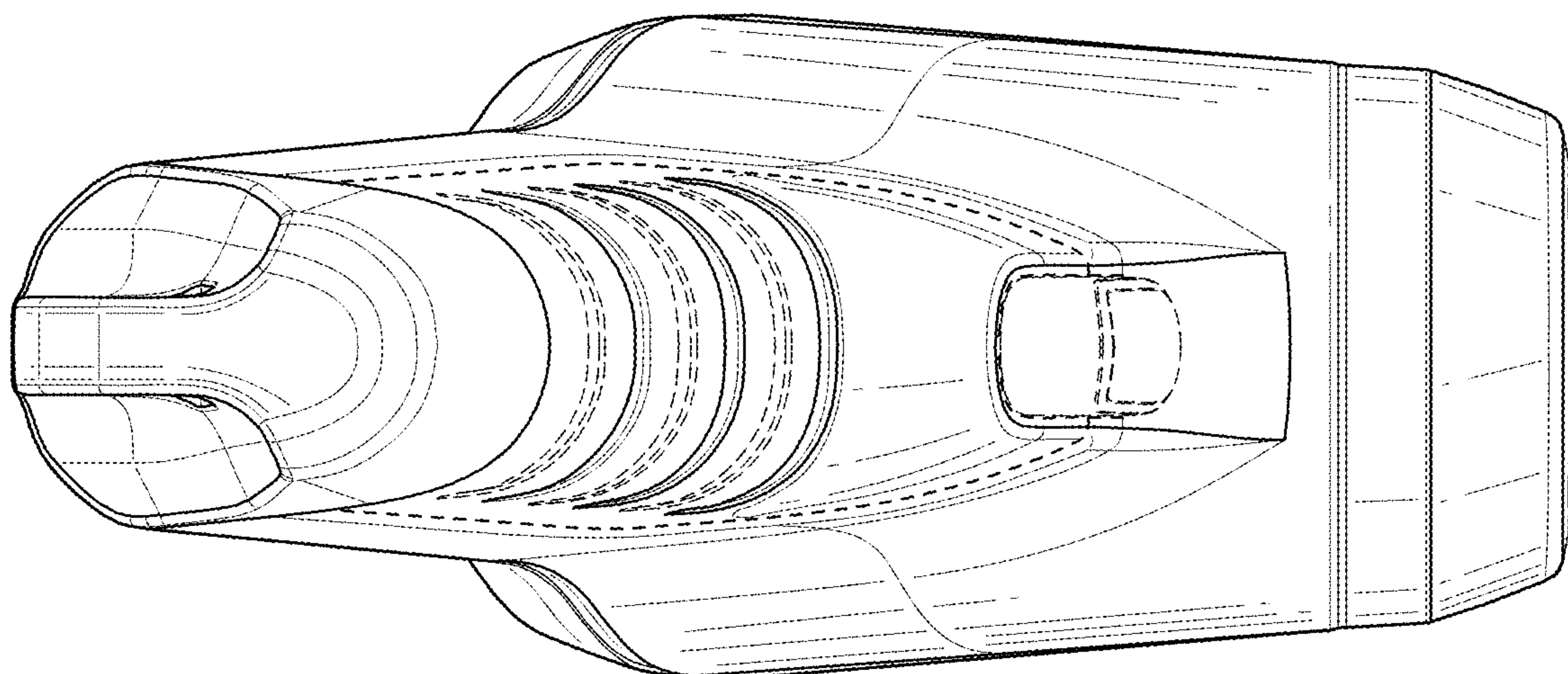


FIG. 8