



US00D805570S

(12) **United States Design Patent**
Shi

(10) **Patent No.:** **US D805,570 S**

(45) **Date of Patent:** **** Dec. 19, 2017**

(54) **VIDEO CAMERA**

(71) Applicant: **HANGZHOU HIKVISION DIGITAL TECHNOLOGY CO., LTD**, Binjiang District, Hangzhou (CN)

(72) Inventor: **Qiang Shi**, Binjiang District (CN)

(73) Assignee: **Hangzhou Hikvision Digital Technology Co., Ltd (CN)**

(**) Term: **15 Years**

(21) Appl. No.: **29/559,003**

(22) Filed: **Mar. 23, 2016**

(30) **Foreign Application Priority Data**

Dec. 25, 2015 (CN) 2015 3 0558343

(51) **LOC (10) Cl.** **16-01**

(52) **U.S. Cl.**
USPC **D16/202**

(58) **Field of Classification Search**
USPC D14/124, 125, 126, 129, 133, 314, 317,
D14/336, 348-351, 356, 420; D16/200,
D16/201, 202, 203, 205-221, 225, 232,
D16/235; D15/199

CPC G03B 15/03; G03B 19/04; H04N 5/2251;
H04N 5/2254

See application file for complete search history.

(56) **References Cited**

U.S. PATENT DOCUMENTS

D150,006 S * 6/1948 Fung D21/577
D340,253 S * 10/1993 Fedorczak 348/143
D389,500 S * 1/1998 Krekelberg D16/202
D446,534 S * 8/2001 Zimmer D16/203

D454,902 S * 3/2002 Hsu D16/202
D455,767 S * 4/2002 Tsang D16/202
D471,927 S * 3/2003 Kim D14/240
D475,381 S * 6/2003 Komatsu D16/202
D477,344 S * 7/2003 Ng D16/202
D478,922 S * 8/2003 Han D16/202
D481,404 S * 10/2003 Ng D16/202
D485,853 S * 1/2004 Daniels D16/203
D500,067 S * 12/2004 Liu D16/202
D503,182 S * 3/2005 Ogura D16/202
D507,007 S * 7/2005 Sitoh D16/202
D524,839 S * 7/2006 Wen D16/202
D527,755 S * 9/2006 Wu D16/202
D552,649 S * 10/2007 Logan D16/200
D561,798 S * 2/2008 Wen D16/202
D562,870 S * 2/2008 Komatsu D16/203
D590,863 S * 4/2009 Ke D16/202
D608,811 S * 1/2010 Frank D16/203
D628,223 S * 11/2010 Kao D16/202
D719,202 S * 12/2014 Lee D16/202

* cited by examiner

Primary Examiner — Susan E Krakower

Assistant Examiner — L. A. Grabenstetter

(74) *Attorney, Agent, or Firm* — McAfee & Taft

(57) **CLAIM**

The ornamental design for a video camera, as shown and described.

DESCRIPTION

FIG. 1 is a front view of the video camera showing the new design.

FIG. 2 is a back view of the video camera.

FIG. 3 is a top view of the video camera.

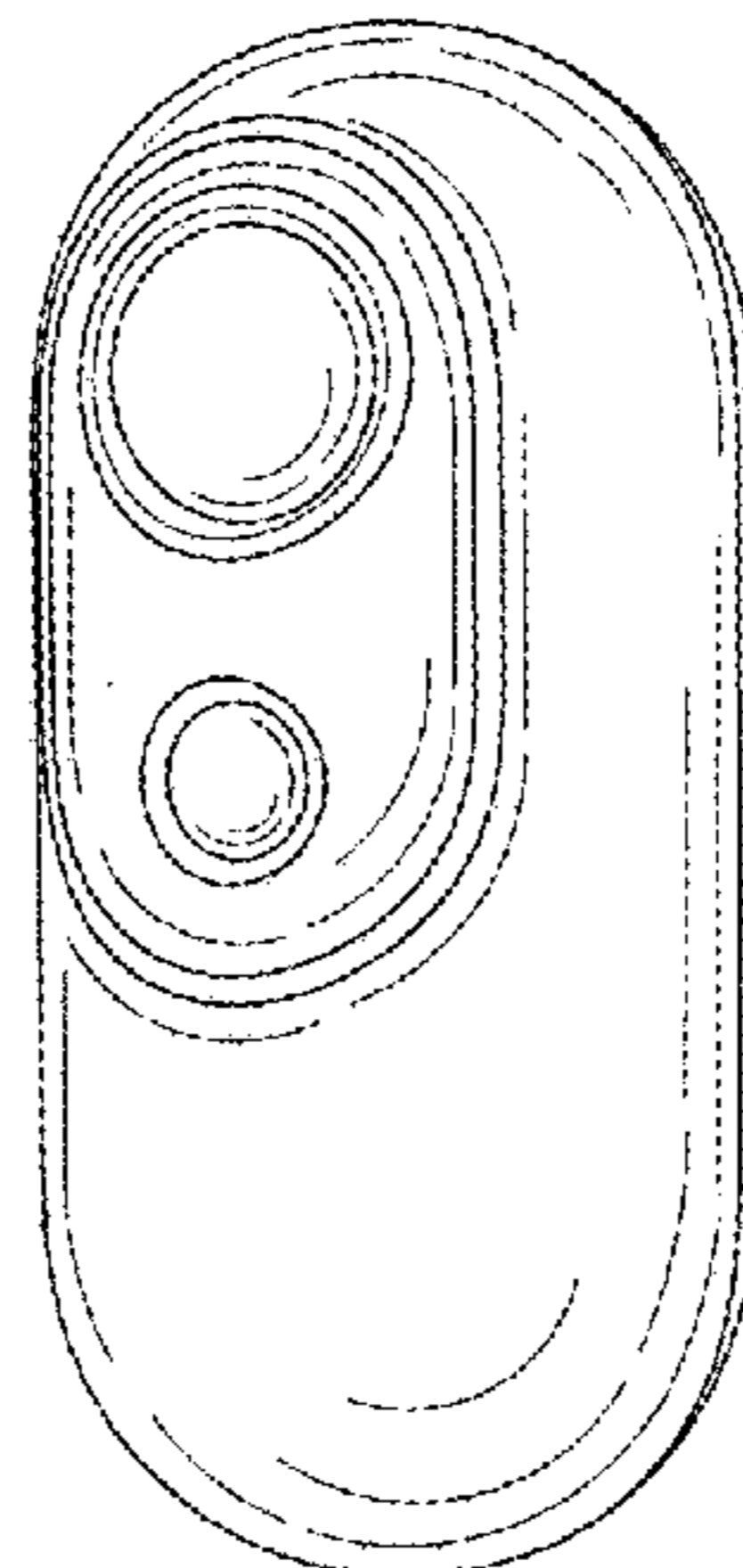
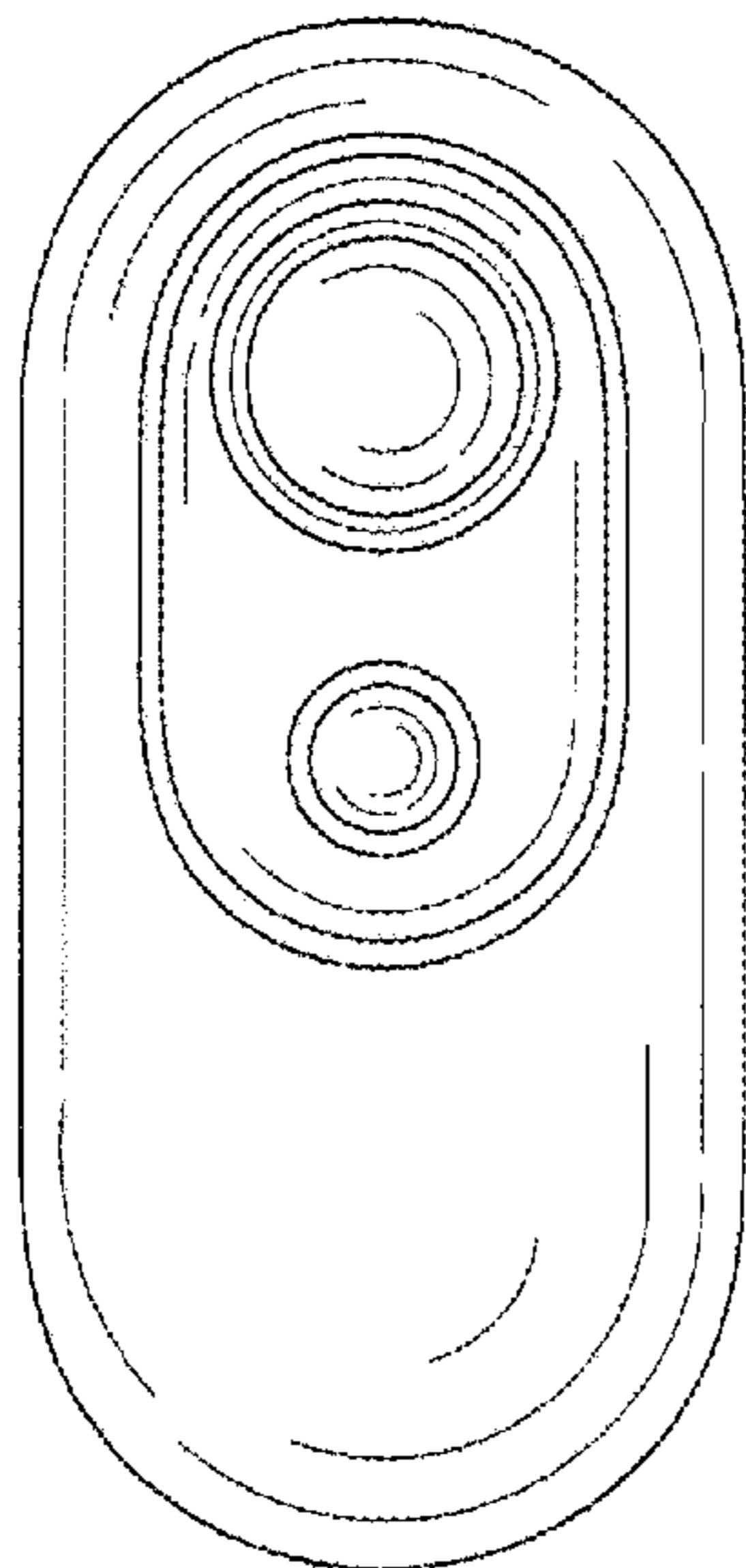
FIG. 4 is a bottom view of the video camera.

FIG. 5 is a right-side view of the video camera.

FIG. 6 is a left-side view of the video camera; and,

FIG. 7 is a front perspective view of the video camera.

1 Claim, 2 Drawing Sheets



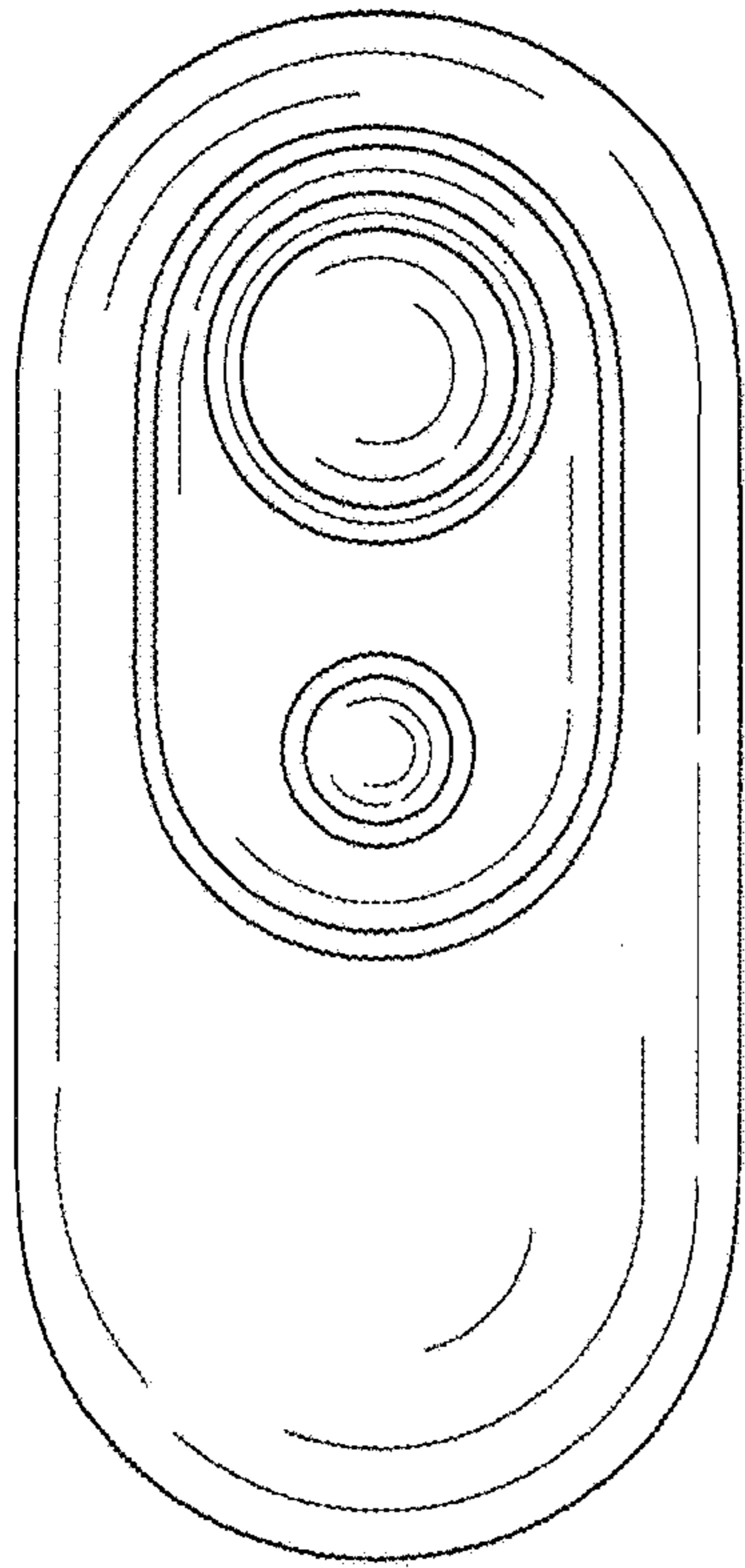


FIG. 1

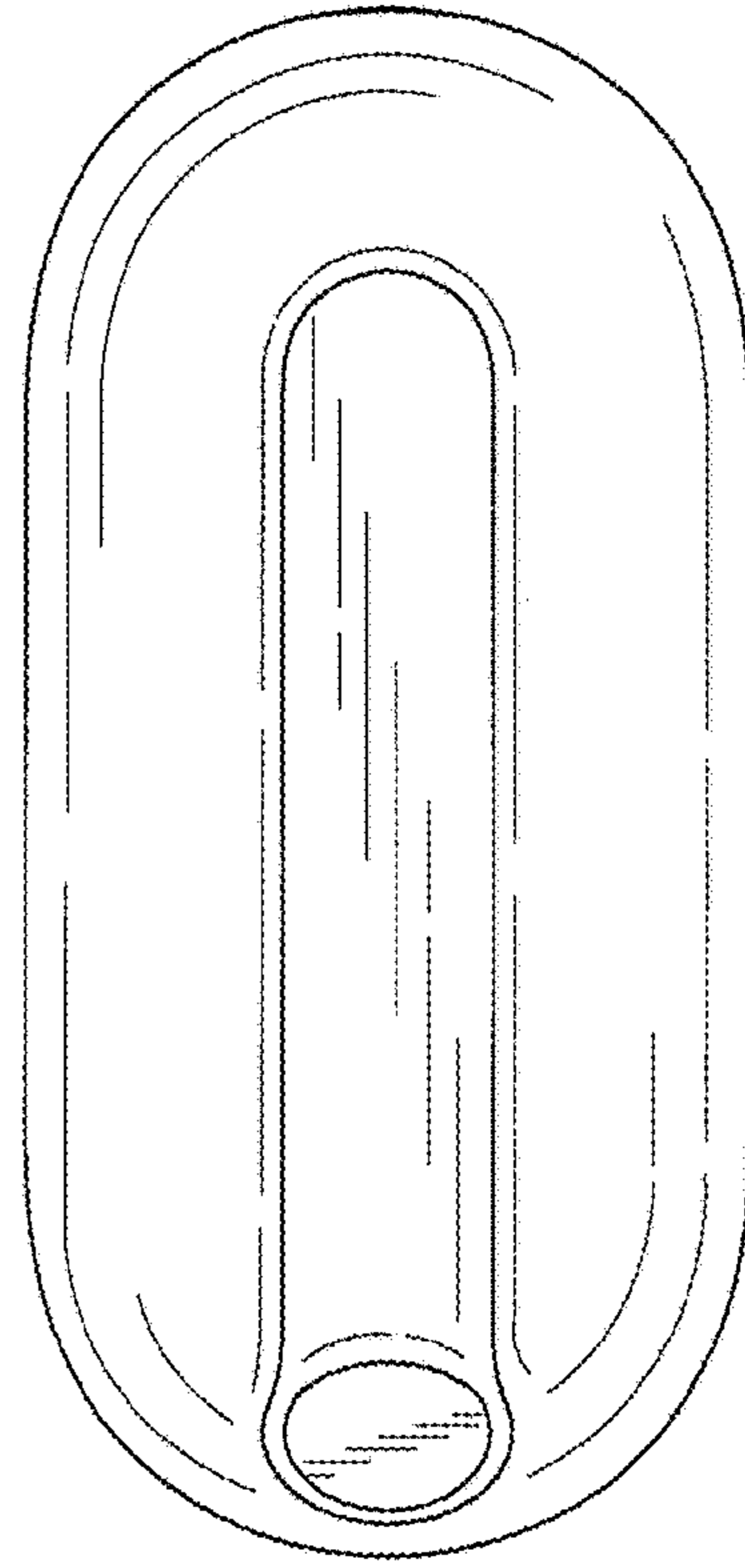


FIG. 2

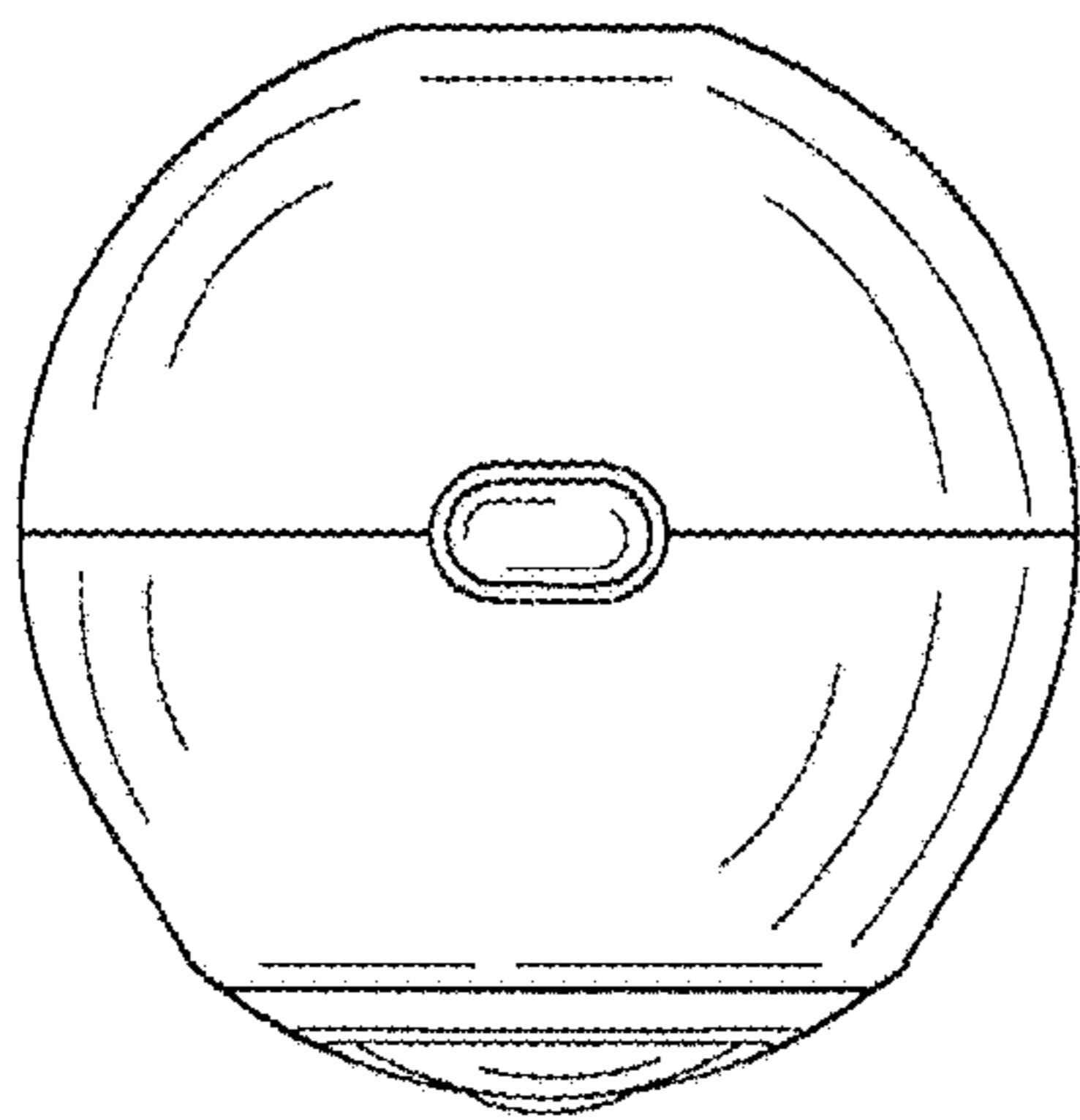


FIG. 3

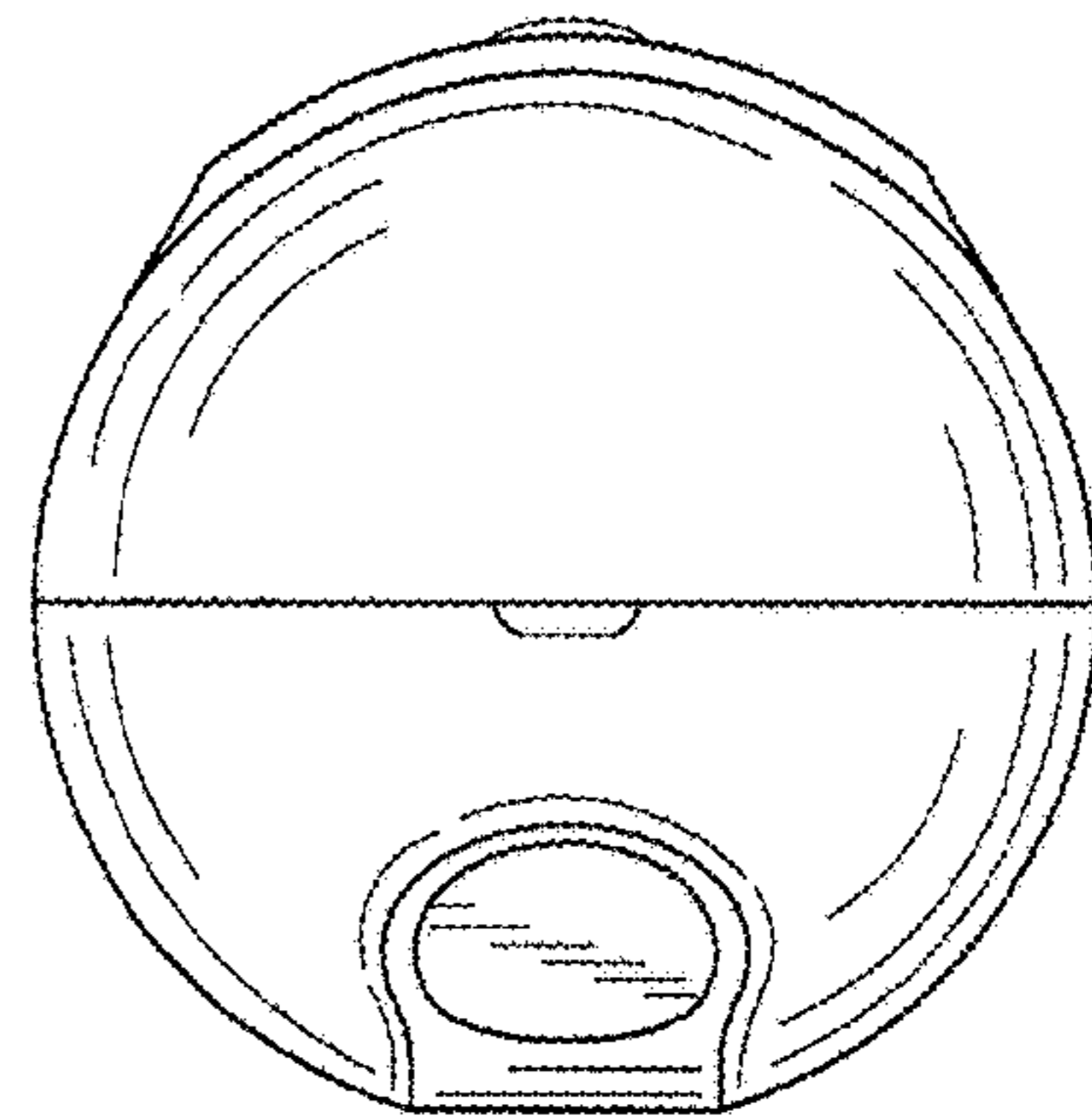


FIG. 4

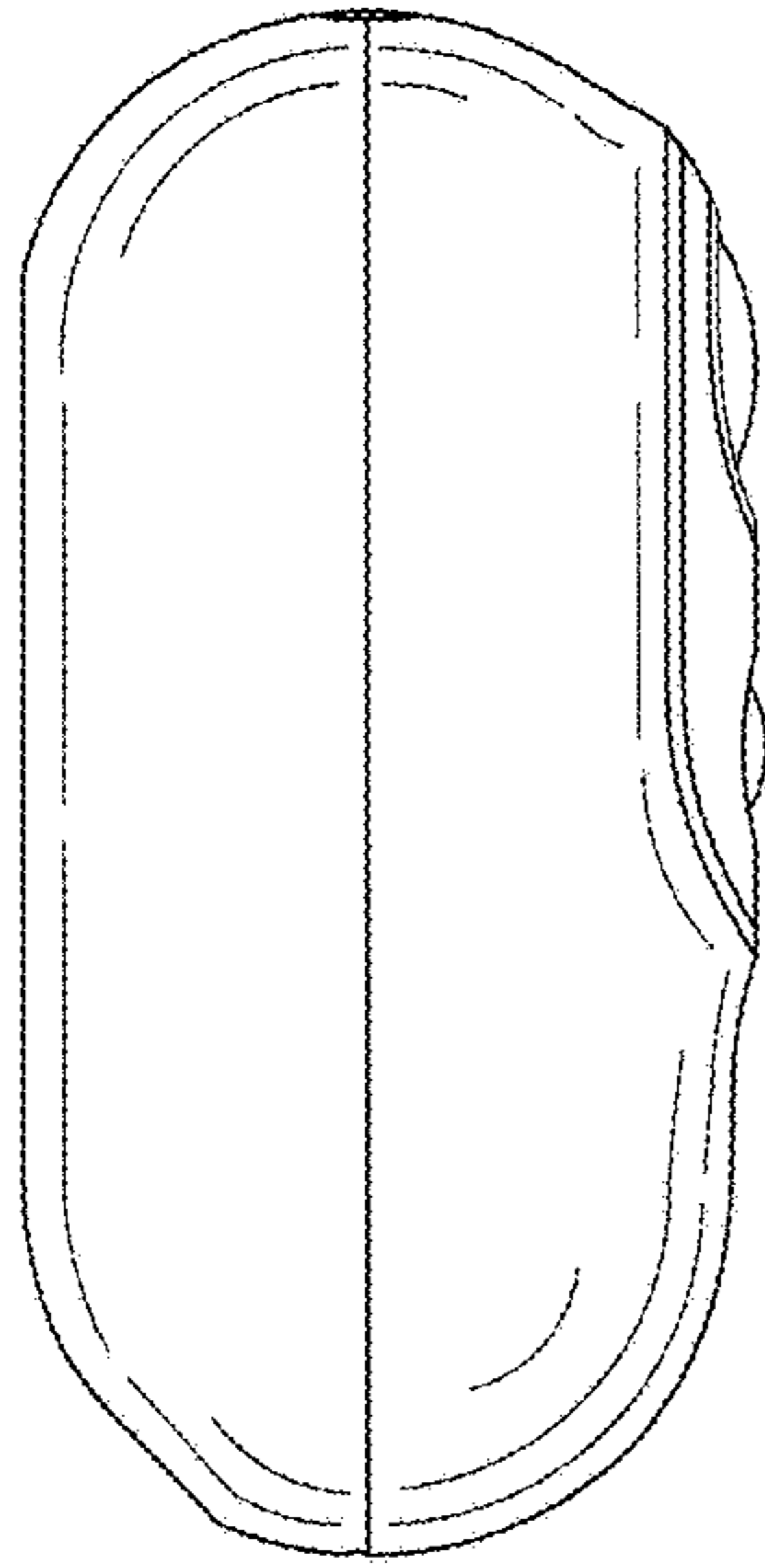


FIG. 1

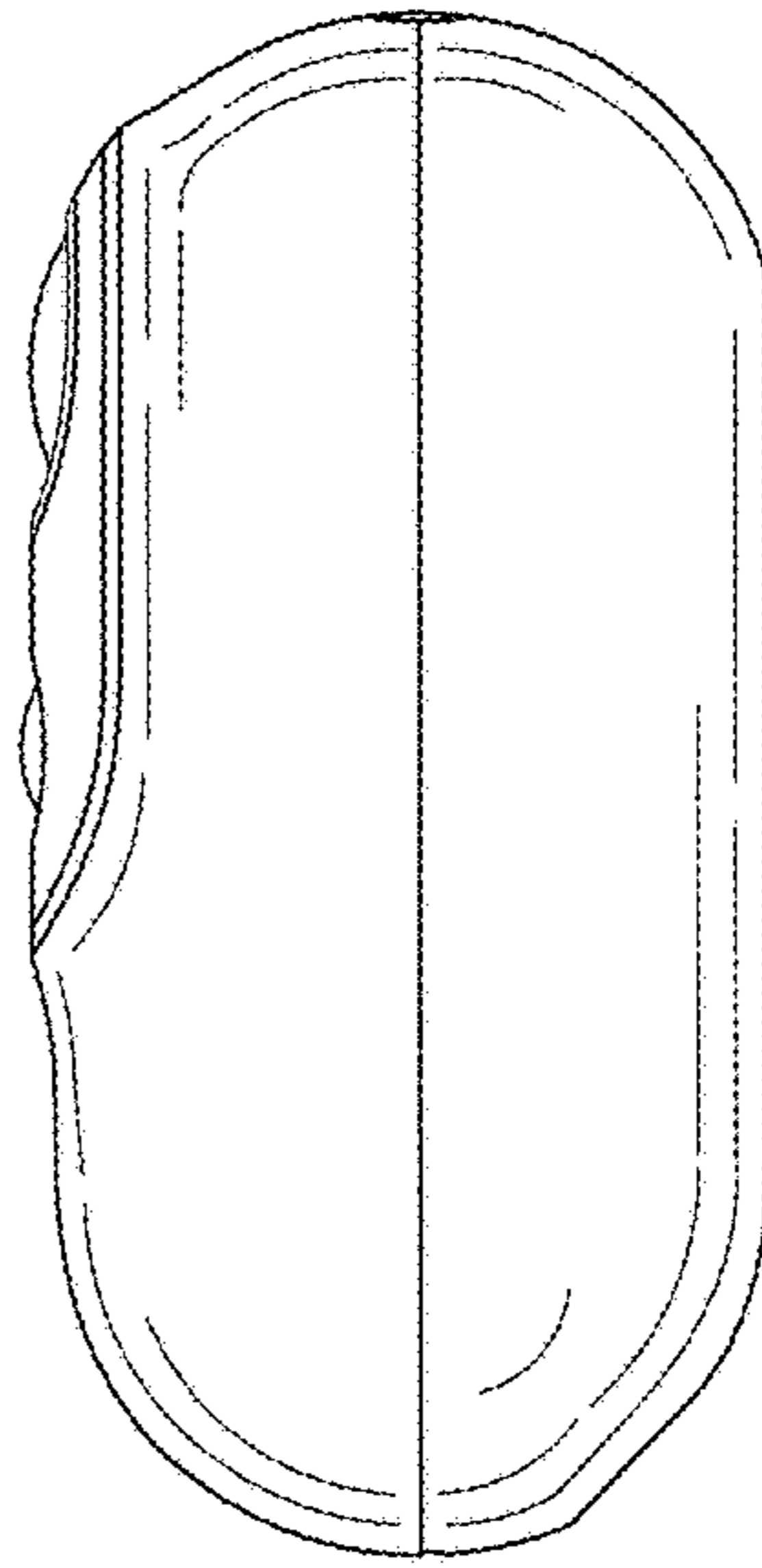


FIG. 2

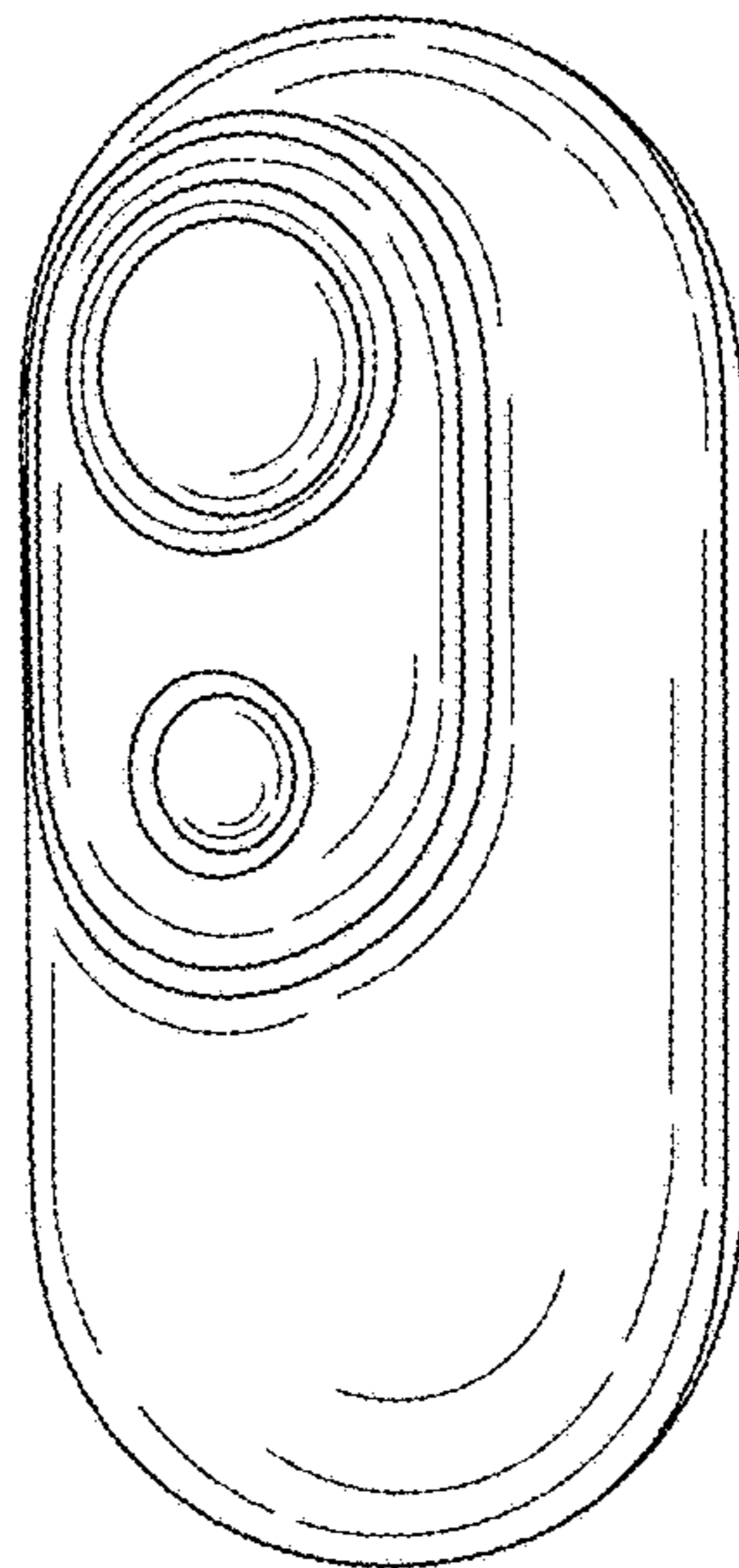


FIG. 3