



US00D805568S

(12) **United States Design Patent**
Ke et al.

(10) **Patent No.:** **US D805,568 S**

(45) **Date of Patent:** **** Dec. 19, 2017**

(54) **MOBILE PLATFORM FOR A ROBOT ARM**

(71) Applicant: **HIWIN TECHNOLOGIES CORP.**,
Taichung (TW)

(72) Inventors: **Cheng-Tang Ke**, Taichung (TW);
Kun-Jia Hsu, Taichung (TW);
Dong-Gu Lai, Taichung (TW);
Ren-Jeng Wang, Taichung (TW);
Wan-Yi Chang, Taichung (TW);
Chi-Hong Lin, Taichung (TW)

(73) Assignee: **Hiwin Technologies Corp.**, Taichung
(TW)

(**) Term: **15 Years**

(21) Appl. No.: **29/553,798**

(22) Filed: **Feb. 4, 2016**

(30) **Foreign Application Priority Data**

Sep. 24, 2015 (TW) 104305321

(51) **LOC (10) Cl.** **15-99**

(52) **U.S. Cl.**
USPC **D15/199**

(58) **Field of Classification Search**
USPC D15/199
CPC ... B25J 5/005; B25J 9/044; B25J 9/102; B25J
18/00; B62D 55/065; B62D 55/075;
B62D 57/028; Y10S 901/23
See application file for complete search history.

(56) **References Cited**

U.S. PATENT DOCUMENTS

5,737,500 A * 4/1998 Seraji B25J 9/1643
318/568.11
D549,756 S * 8/2007 Park D15/199
D553,655 S * 10/2007 Jennings D15/199

D594,492 S * 6/2009 Stratton D15/199
D608,804 S * 1/2010 Labak D15/199
D614,251 S * 4/2010 Chung D15/199
D616,908 S * 6/2010 Labak D15/199
D672,408 S * 12/2012 Ohler D15/199
D675,656 S * 2/2013 Sutherland D15/199
D701,256 S * 3/2014 Song D15/199
D712,447 S * 9/2014 He D15/199
D722,281 S * 2/2015 Stone D12/1
D722,631 S * 2/2015 Stone D12/1
D732,096 S * 6/2015 Jang D15/199
D735,258 S * 7/2015 Jang D15/199
D736,117 S * 8/2015 Stone D12/1
D764,557 S * 8/2016 Yamada D15/199
9,440,357 B2 * 9/2016 Hu B25J 5/007
2009/0289433 A1 * 11/2009 Asai A61H 3/008
280/234
2012/0216646 A1 * 8/2012 Tealdi B25J 9/0018
74/490.01
2014/0366673 A1 * 12/2014 Yamazaki B25J 9/0087
74/490.03

(Continued)

Primary Examiner — Patricia A Palasik

(74) *Attorney, Agent, or Firm* — Muncy, Geissler, Olds &
Lowe, P.C.

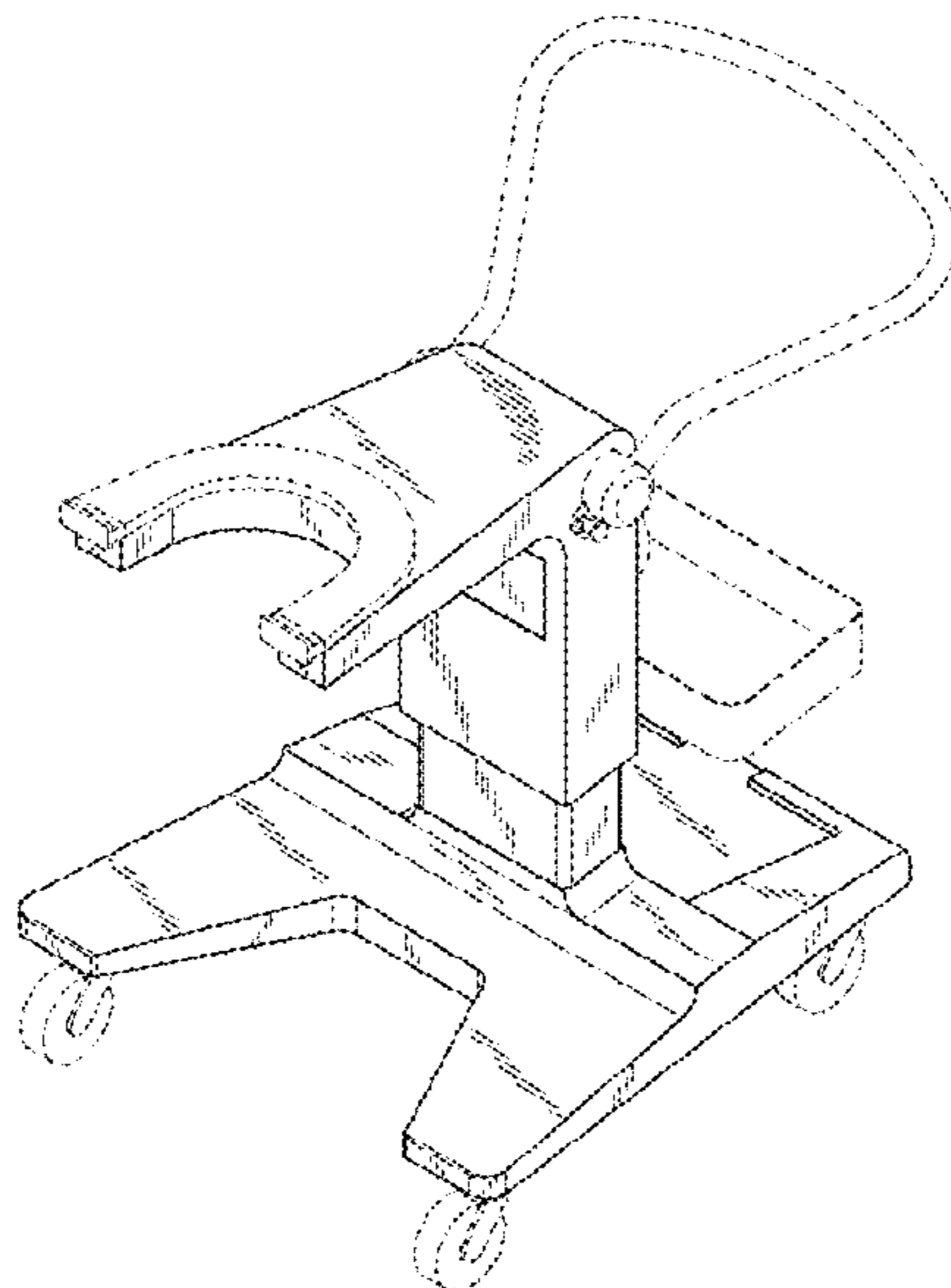
(57) **CLAIM**

The ornamental design for a mobile platform for a robot
arm, as shown and described.

DESCRIPTION

FIG. 1 is a perspective view of the present design;
FIG. 2 is a front view of the present design;
FIG. 3 is a rear view of the present design;
FIG. 4 is a left side view of the present design;
FIG. 5 is a right side view of the present design;
FIG. 6 is a top view of the present design; and,
FIG. 7 is a bottom view of the present design.
The broken lines in the drawings depict unclaimed environ-
mental subject matter.

1 Claim, 7 Drawing Sheets



(56)

References Cited

U.S. PATENT DOCUMENTS

2015/0182403 A1* 7/2015 Lim A61G 7/1025
5/86.1
2016/0023352 A1* 1/2016 Kennedy B25J 9/06
700/259
2016/0052139 A1* 2/2016 Hyde B25J 11/009
701/24
2016/0136818 A1* 5/2016 Kitahara B65G 47/90
414/222.07
2016/0271803 A1* 9/2016 Stewart B25J 11/0085
2016/0362147 A1* 12/2016 Mailey B62D 55/075
2016/0375577 A1* 12/2016 Louveau B25J 3/04
700/260
2017/0027652 A1* 2/2017 Johnson A61B 90/50
2017/0239809 A1* 8/2017 Kim A47L 11/4011

* cited by examiner

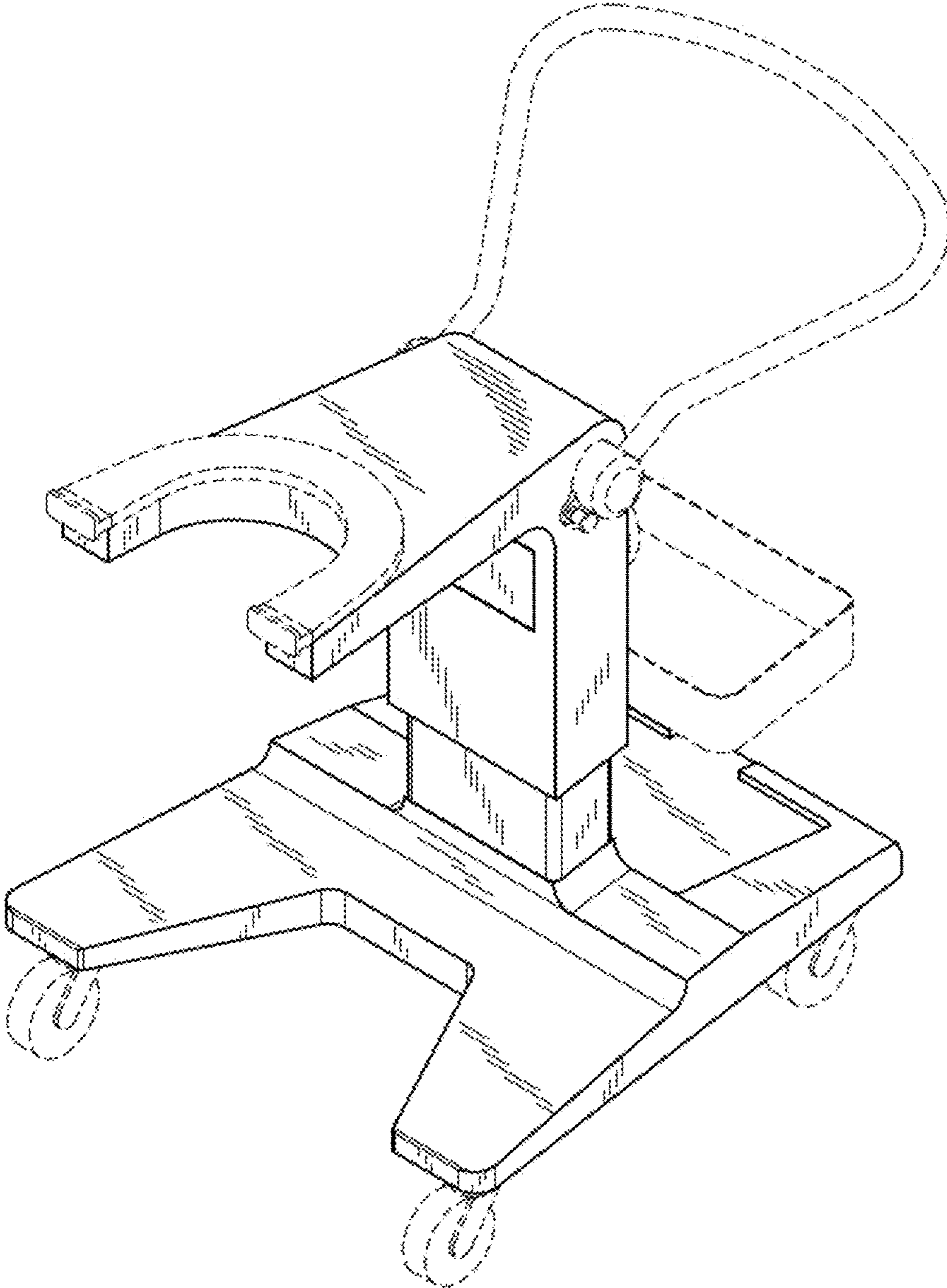


FIG. 1

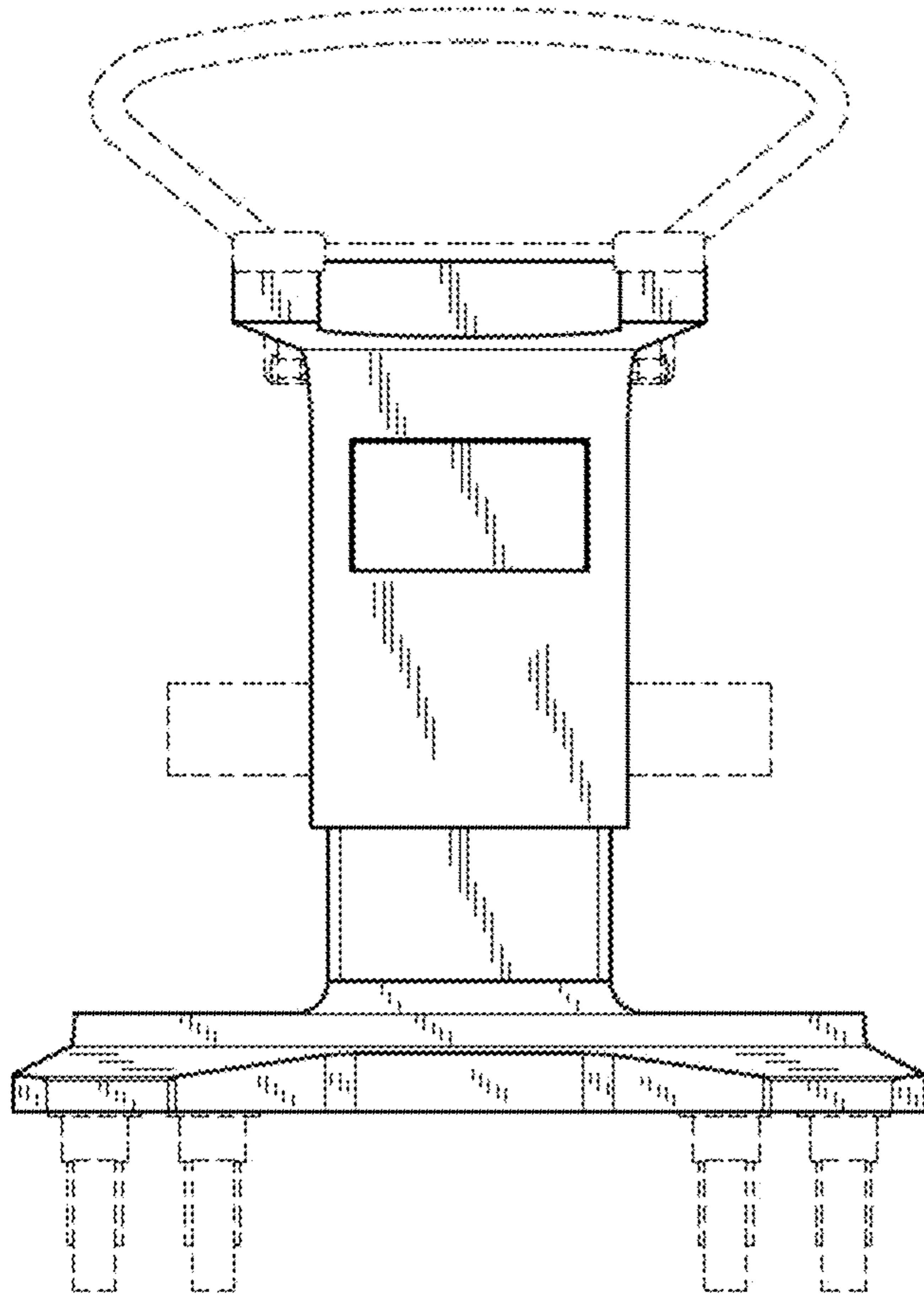


FIG. 2

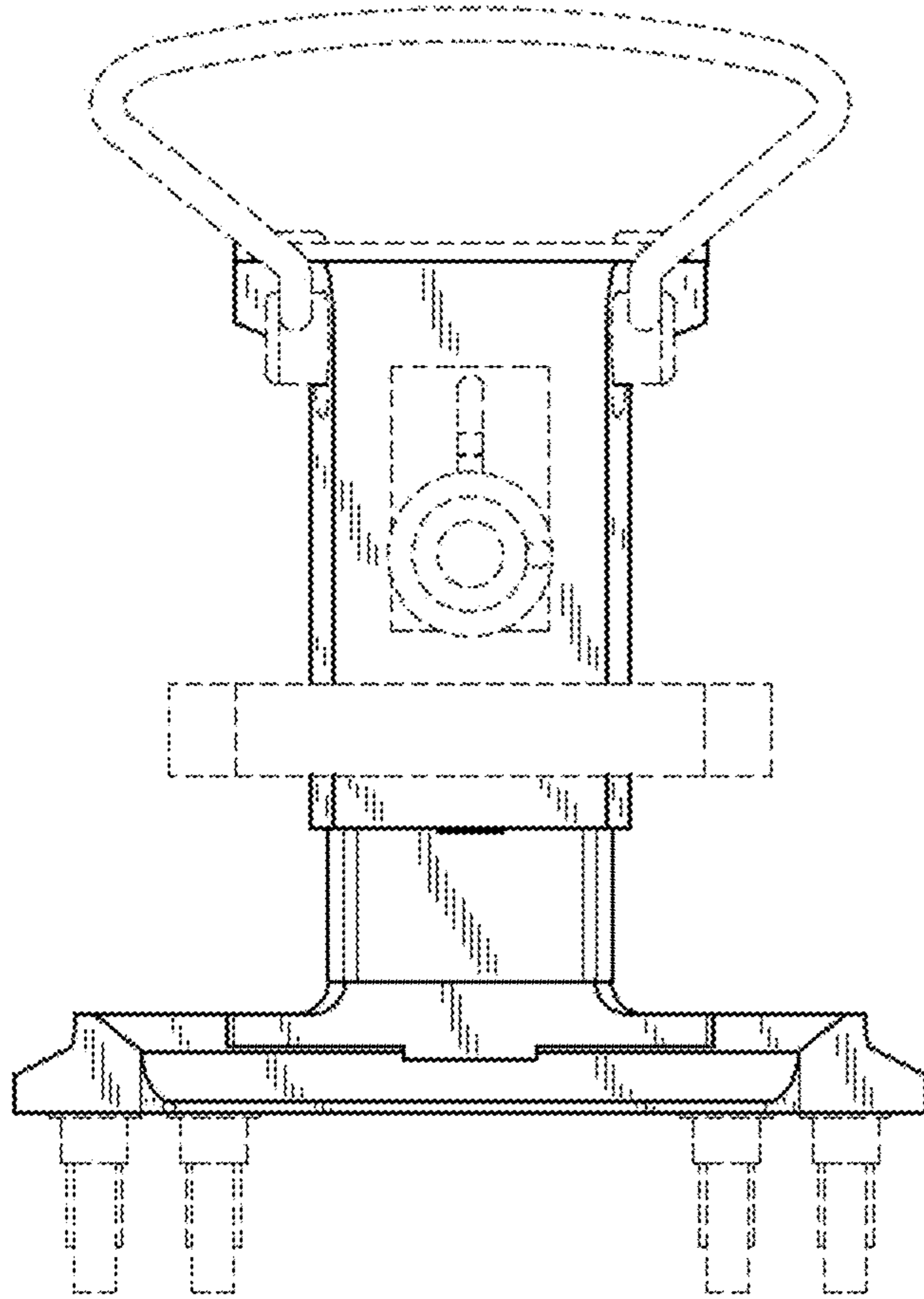


FIG. 3

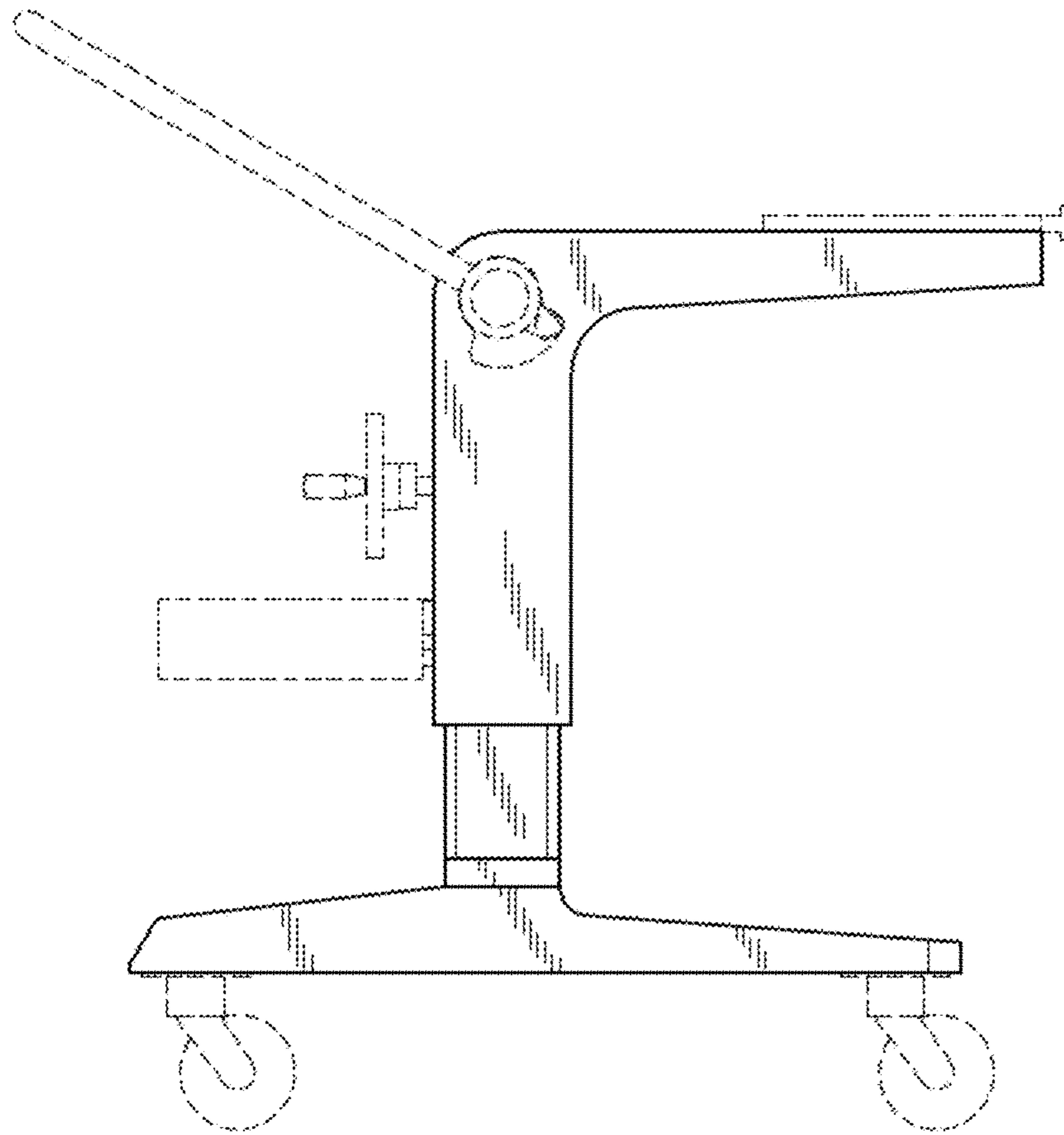


FIG. 4

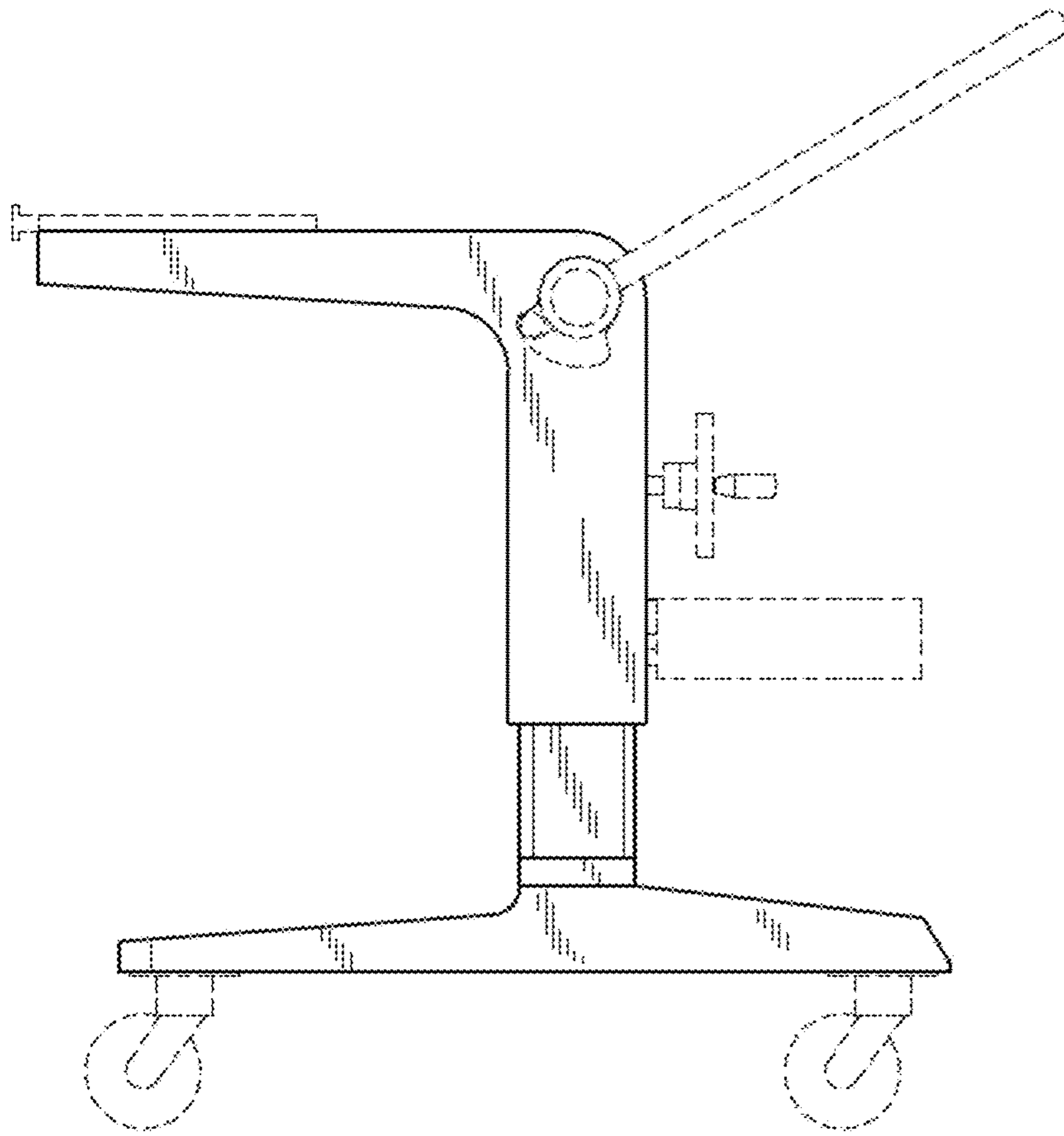


FIG. 5

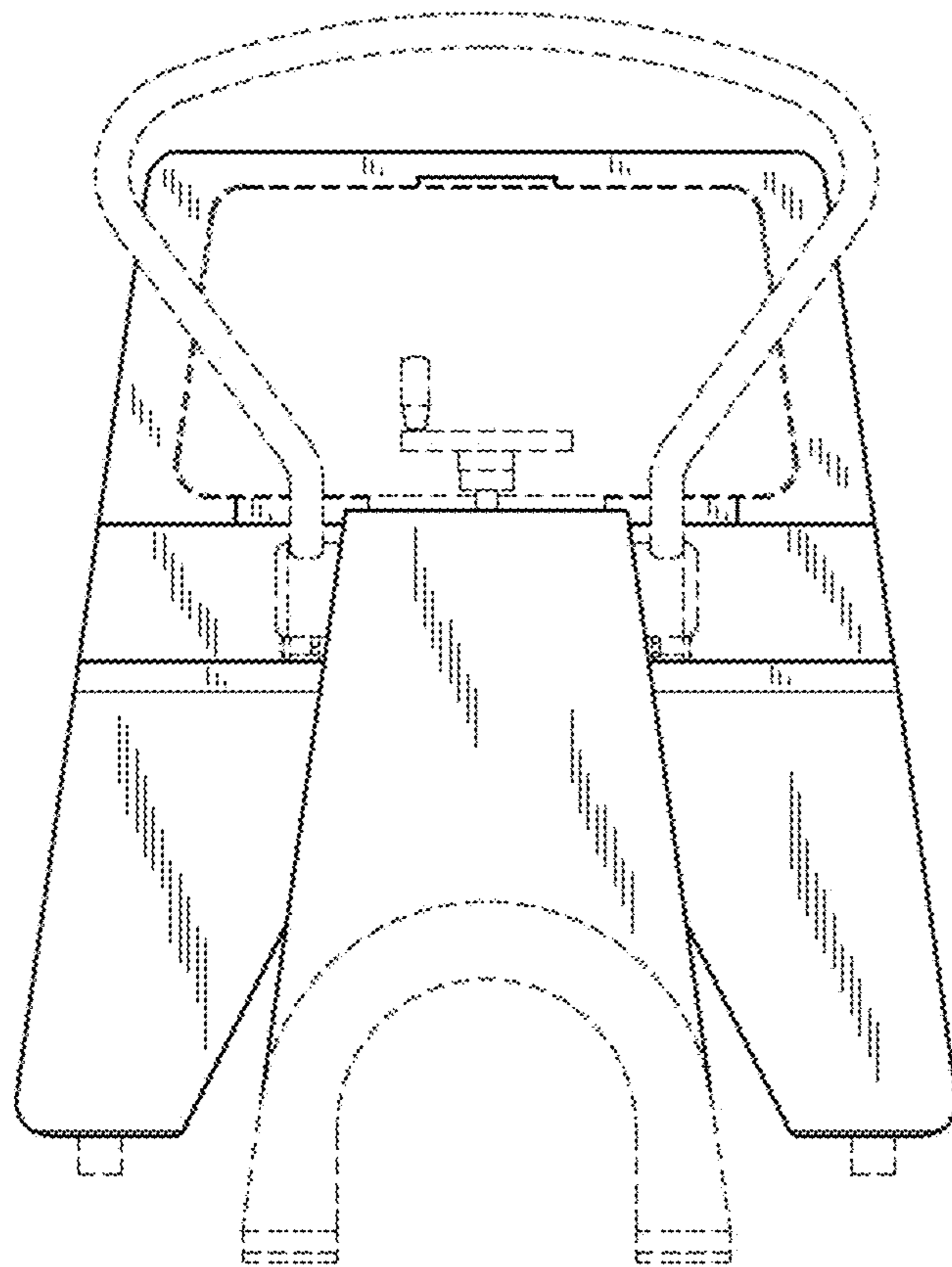


FIG. 6

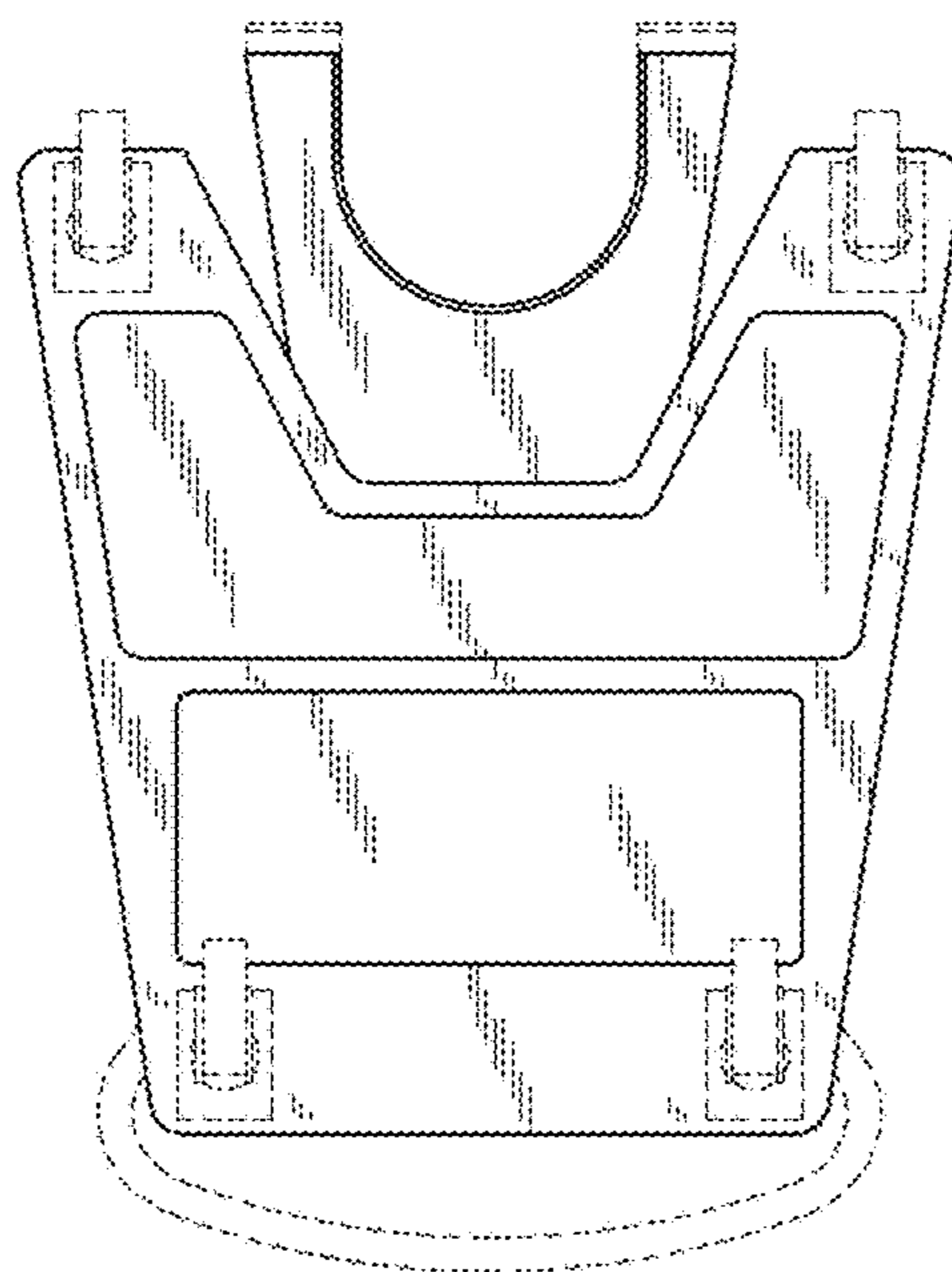


FIG. 7