



US00D805566S

(12) **United States Design Patent** (10) **Patent No.:** **US D805,566 S**
Oh et al. (45) **Date of Patent:** **** Dec. 19, 2017**

(54) **CUTTING INSERT** B23C 2200/0422; B23B 27/007; B23B 27/143; B23B 2200/321; B23B 2200/087
(71) Applicant: **KORLOY INC.**, Seoul (KR) See application file for complete search history.

(72) Inventors: **Min Seok Oh**, Cheongju-si (KR); **Ki Chan Nam**, Cheongju-si (KR); **Tae Kyun Kim**, Cheongju-si (KR); **Nam Seon Lee**, Cheongju-si (KR); **Hyo San Kim**, Cheongju-si (KR); **Young Heum Kim**, Cheongju-si (KR)

(**) Term: **15 Years**

(21) Appl. No.: **35/500,997**

(22) Filed: **Apr. 12, 2016**

(80) **Hague Agreement Data**

Int. Filing Date: **Apr. 12, 2016**
Int. Reg. No.: **DM/090582**
Int. Reg. Date: **Apr. 12, 2016**
Int. Reg. Pub. Date: **May 20, 2016**

(30) **Foreign Application Priority Data**

Dec. 24, 2015 (KR) 30-2015-0066044

(51) **LOC (10) Cl.** **15-09**

(52) **U.S. Cl.**
USPC **D15/139**
CPC **B25C 5/06** (2013.01)

(58) **Field of Classification Search**

USPC D15/124-144; D8/20, 70, 90, 98; 409/139-140; 407/59, 114
CPC B23C 2200/0494; B23C 2200/086; B23C 2200/128; B23C 2200/362; B23C 5/15; B23C 5/06; B23C 5/207; B23C 2200/367;

(56) **References Cited**

U.S. PATENT DOCUMENTS

D347,642	S *	6/1994	Lindberg	D15/139
D379,360	S *	5/1997	Satran	D15/139
D388,444	S *	12/1997	Satran	D15/139
D404,406	S *	1/1999	Satran	D15/139
6,217,264	B1 *	4/2001	Kim	B23B 27/143 407/114
D485,852	S *	1/2004	Arvidsson	D15/139
D486,505	S *	2/2004	Arvidsson	D15/139
D487,281	S *	3/2004	Roman	D15/139
6,957,935	B2 *	10/2005	Sung	B23C 5/202 407/113
D637,214	S *	5/2011	Saito	D15/139
D638,041	S *	5/2011	Saito	D15/139
8,177,460	B2 *	5/2012	Satran	B23C 5/2213 407/113
8,419,320	B2 *	4/2013	Sung	B23C 5/06 407/113
D688,716	S *	8/2013	Lampe	D15/139
8,727,675	B2 *	5/2014	Nam	B23C 5/06 407/103
8,876,440	B2 *	11/2014	Nam	B23C 5/06 407/113
D736,841	S *	8/2015	Jung	D15/139
D748,703	S *	2/2016	Nam	D15/139
D752,664	S *	3/2016	Jung	D15/139
D755,267	S *	5/2016	Lee	D15/139

(Continued)

Primary Examiner — Richard E Chilcot

(74) *Attorney, Agent, or Firm* — Rabin & Berdo, P.C.

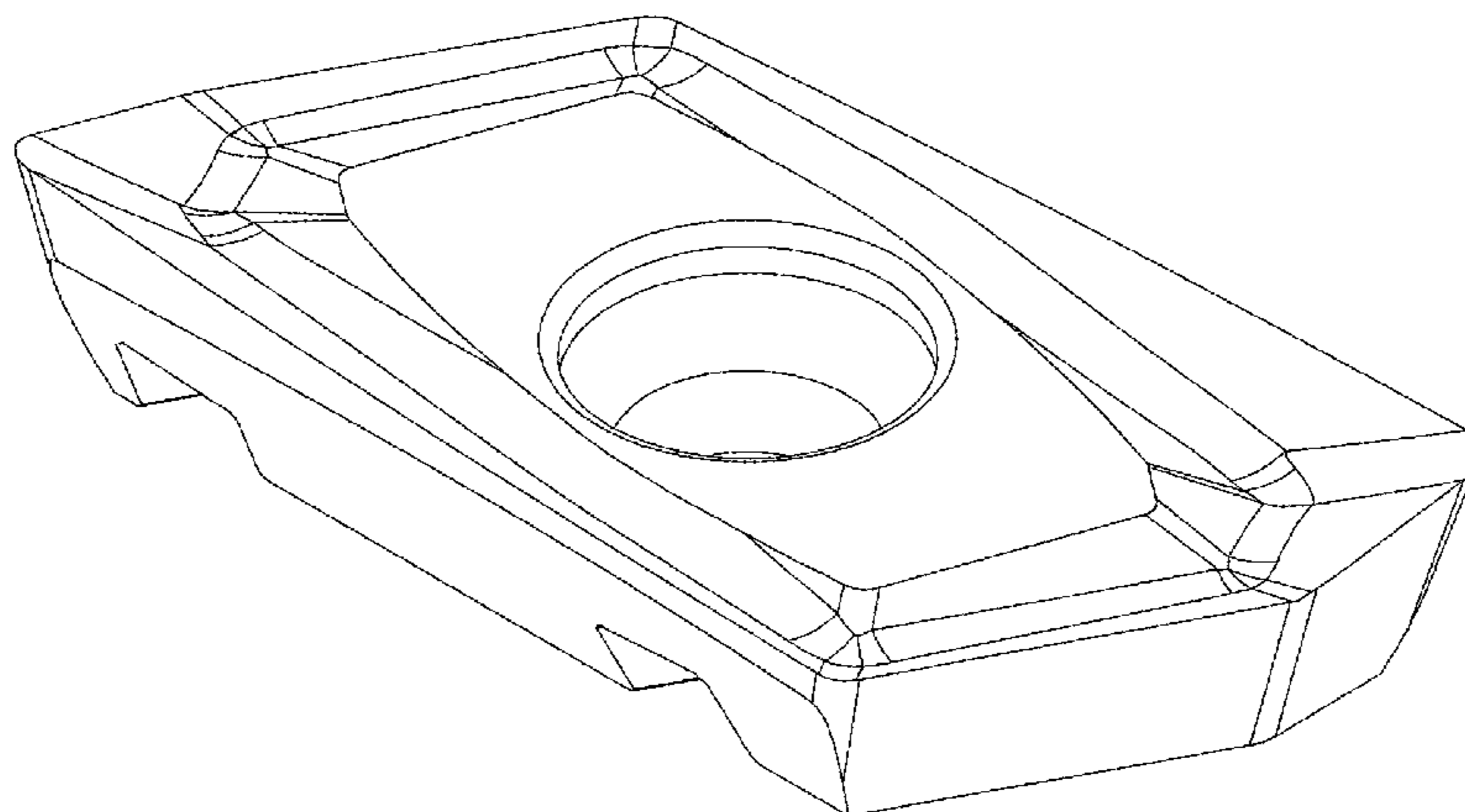
(57) **CLAIM**

The ornamental design for a cutting insert, as shown and described.

DESCRIPTION

- 1. Cutting insert
- 1.1 : Perspective
- 1.2 : Front
- 1.3 : Back

(Continued)



1.4 : Left
1.5 : Right
1.6 : Top
1.7 : Bottom

1 Claim, 7 Drawing Sheets

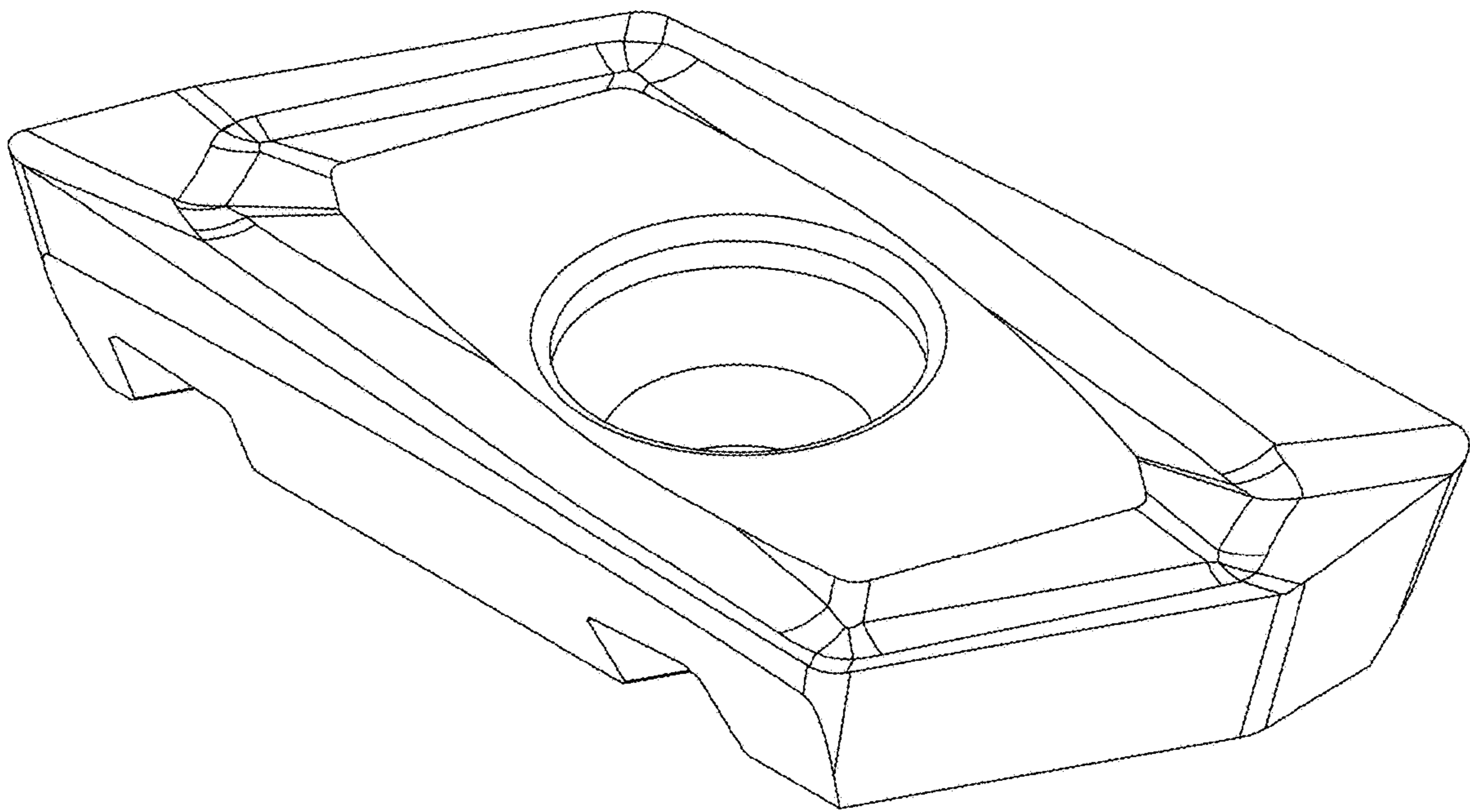
(56)

References Cited

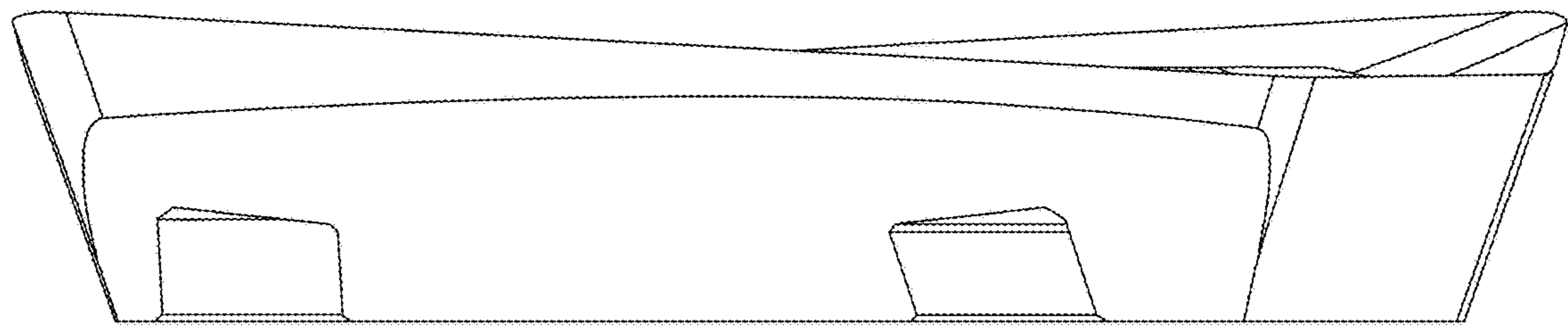
U.S. PATENT DOCUMENTS

D771,726	S	*	11/2016	Nam	D15/139
D772,318	S	*	11/2016	Nam	D15/139
D772,319	S	*	11/2016	Nam	D15/139
D772,963	S	*	11/2016	Nam	D15/139
9,545,672	B2	*	1/2017	Lee	B23C 5/06
9,623,486	B2	*	4/2017	Nam	B23B 27/145

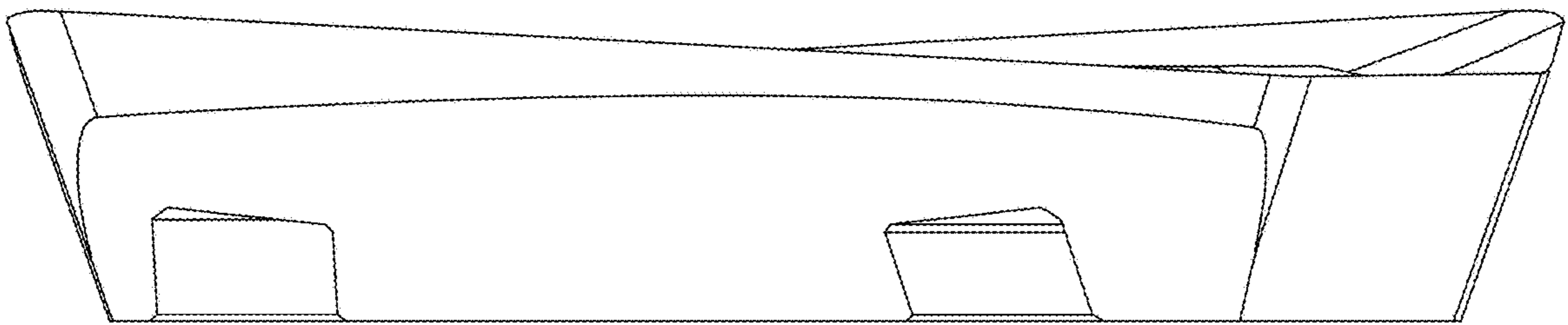
* cited by examiner



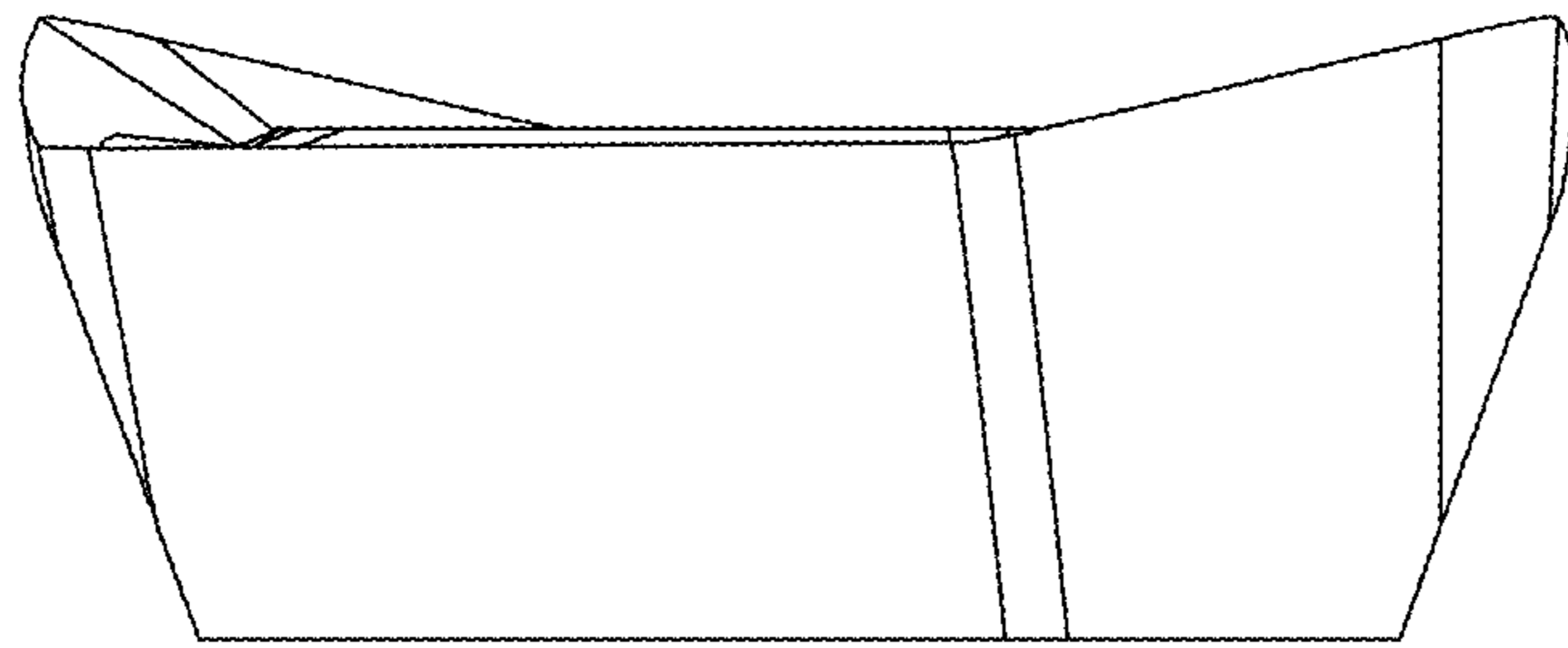
1.1



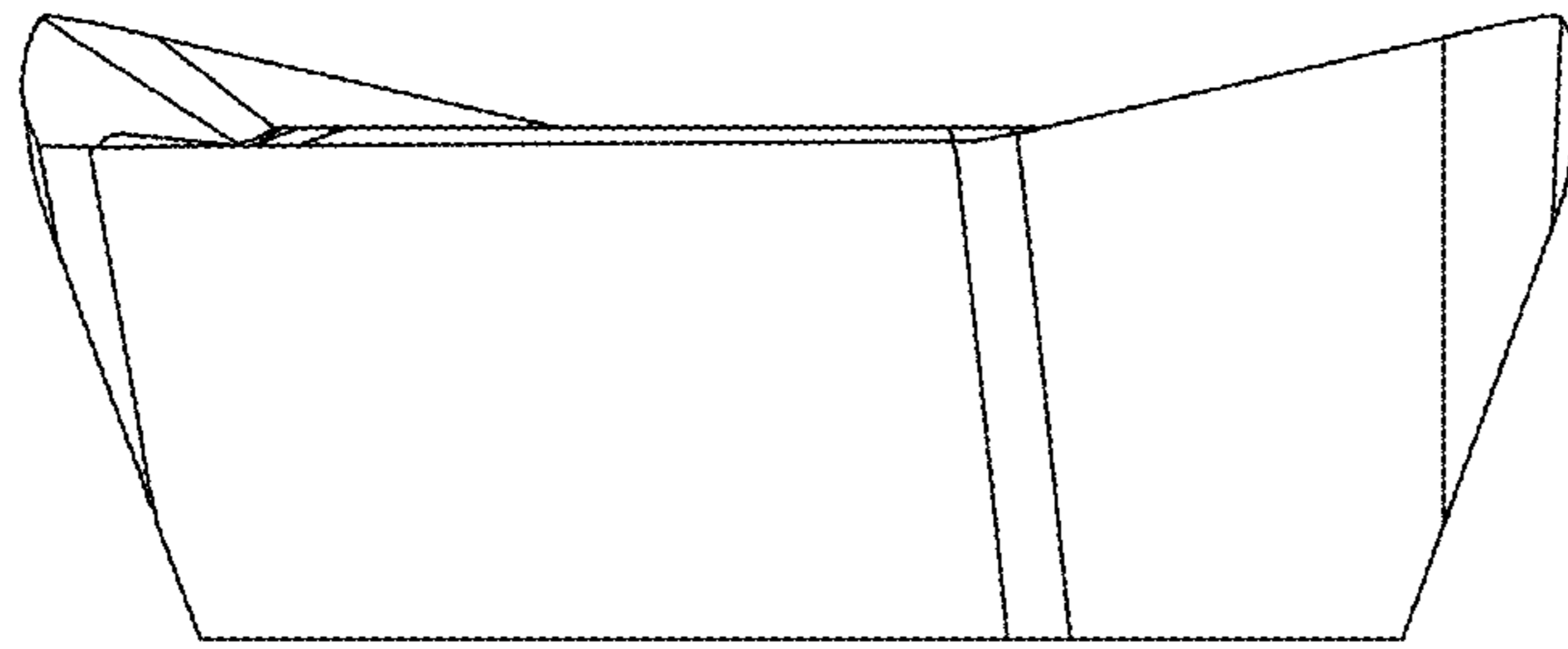
1.2



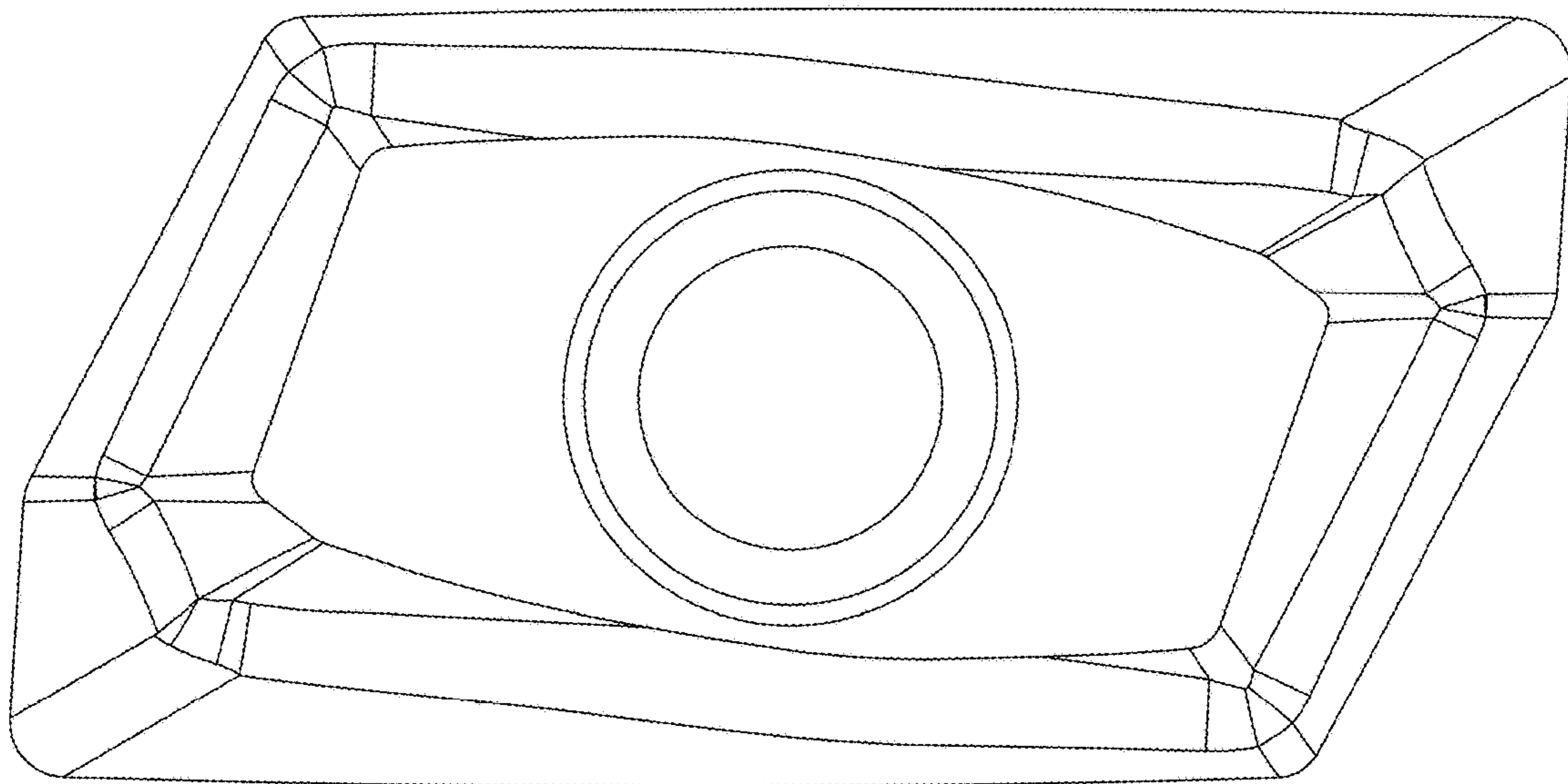
1.3



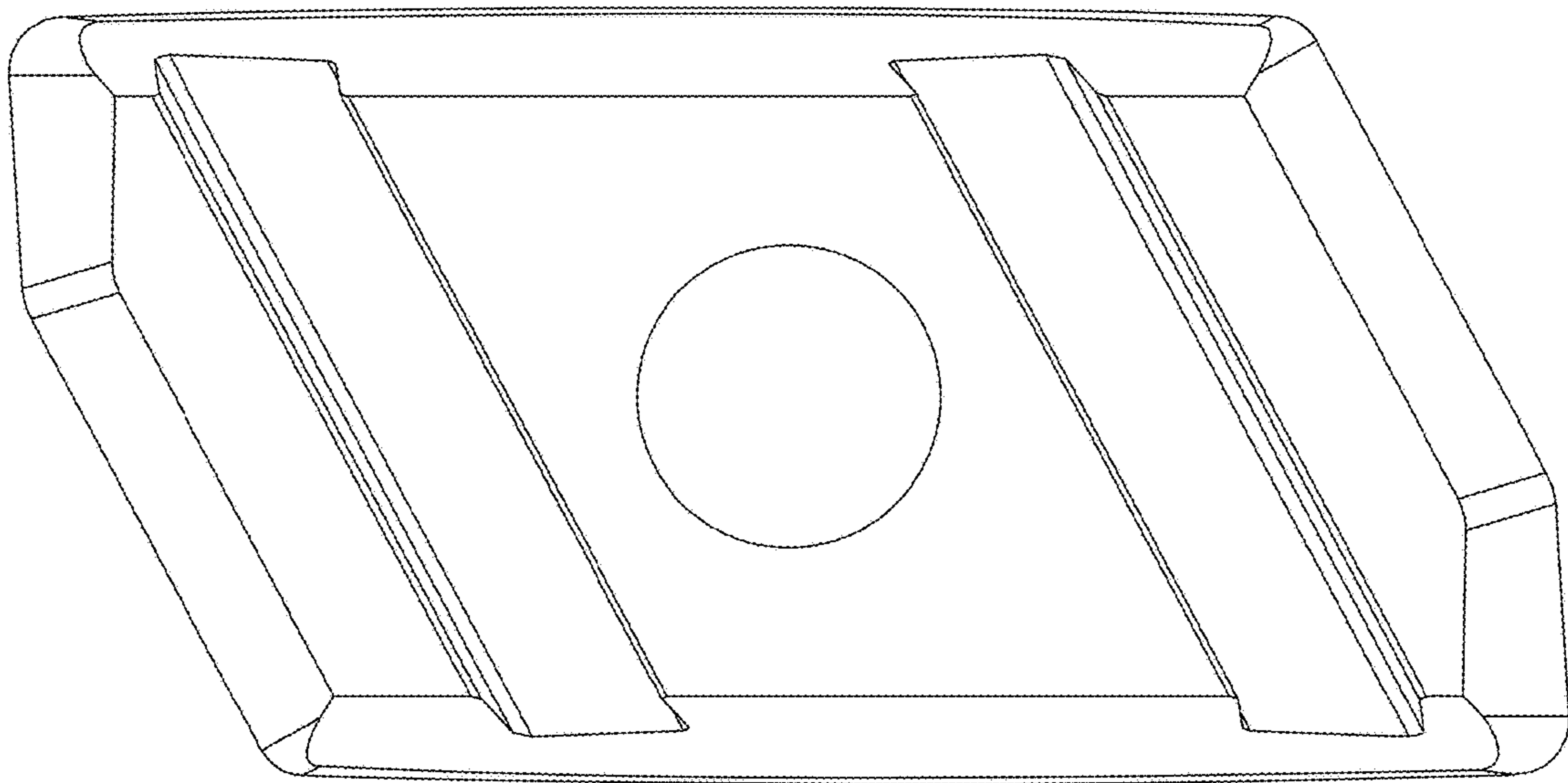
1.4



1.5



1.6



1.7