



US00D805565S

(12) **United States Design Patent**
Min et al.

(10) **Patent No.:** **US D805,565 S**

(45) **Date of Patent:** **** Dec. 19, 2017**

(54) **GROOVING INSERT**

(71) Applicant: **KORLOY INC.**, Seoul (KR)

(72) Inventors: **Byung Hoon Min**, Cheongju-si (KR);
Sung Guen Shin, Cheongju-si (KR);
Dong Sub An, Cheongju-si (KR); **Hyo San Kim**, Cheongju-si (KR); **Young Heum Kim**, Cheongju-si (KR)

(**) Term: **15 Years**

(21) Appl. No.: **35/500,995**

(22) Filed: **Apr. 14, 2016**

(80) **Hague Agreement Data**

Int. Filing Date: **Apr. 14, 2016**
Int. Reg. No.: **DM/090576**
Int. Reg. Date: **Apr. 14, 2016**
Int. Reg. Pub. Date: **May 20, 2016**

(30) **Foreign Application Priority Data**

Dec. 29, 2015 (KR) 30-2015-0066748

(51) **LOC (10) Cl.** **15-09**

(52) **U.S. Cl.**
USPC **D15/139**
CPC **B23C 5/06** (2013.01)

(58) **Field of Classification Search**
USPC D15/124-144; D8/16-20, 70, 90, 98;
409/139-140; 407/59, 114
CPC B23C 2200/0494; B23C 2200/086; B23C
2200/128; B23C 2200/362; B23C 5/15;
B23C 5/06; B23C 5/207; B23C 2200/367;
B23C 2200/0422; B23B 27/007; B23B
27/143; B23B 2200/321; B23B 2200/087
See application file for complete search history.

(56) **References Cited**

U.S. PATENT DOCUMENTS

D347,642 S * 6/1994 Lindberg D15/139
D379,360 S * 5/1997 Satran D15/139

D388,444 S * 12/1997 Satran D15/139
D404,406 S * 1/1999 Satran D15/139
6,217,264 B1 * 4/2001 Kim B23B 27/143
407/114
D485,852 S * 1/2004 Arvidsson D15/139
D486,505 S * 2/2004 Arvidsson D15/139
D487,281 S * 3/2004 Roman D15/139
6,957,935 B2 * 10/2005 Sung B23C 5/202
407/113
D637,214 S * 5/2011 Saito D15/139
D638,041 S * 5/2011 Saito D15/139
8,177,460 B2 * 5/2012 Satran B23C 5/2213
407/113
8,419,320 B2 * 4/2013 Sung B23C 5/06
407/113
D688,716 S * 8/2013 Lampe D15/139
8,727,675 B2 * 5/2014 Nam B23C 5/06
407/103
8,876,440 B2 * 11/2014 Nam B23C 5/06
407/113
D736,841 S * 8/2015 Jung D15/139
D748,703 S * 2/2016 Nam D15/139
D752,664 S * 3/2016 Jung D15/139
D755,267 S * 5/2016 Lee D15/139
D771,726 S * 11/2016 Nam D15/139

(Continued)

Primary Examiner — Richard E Chilcot

(74) *Attorney, Agent, or Firm* — Rabin & Berdo, P.C.

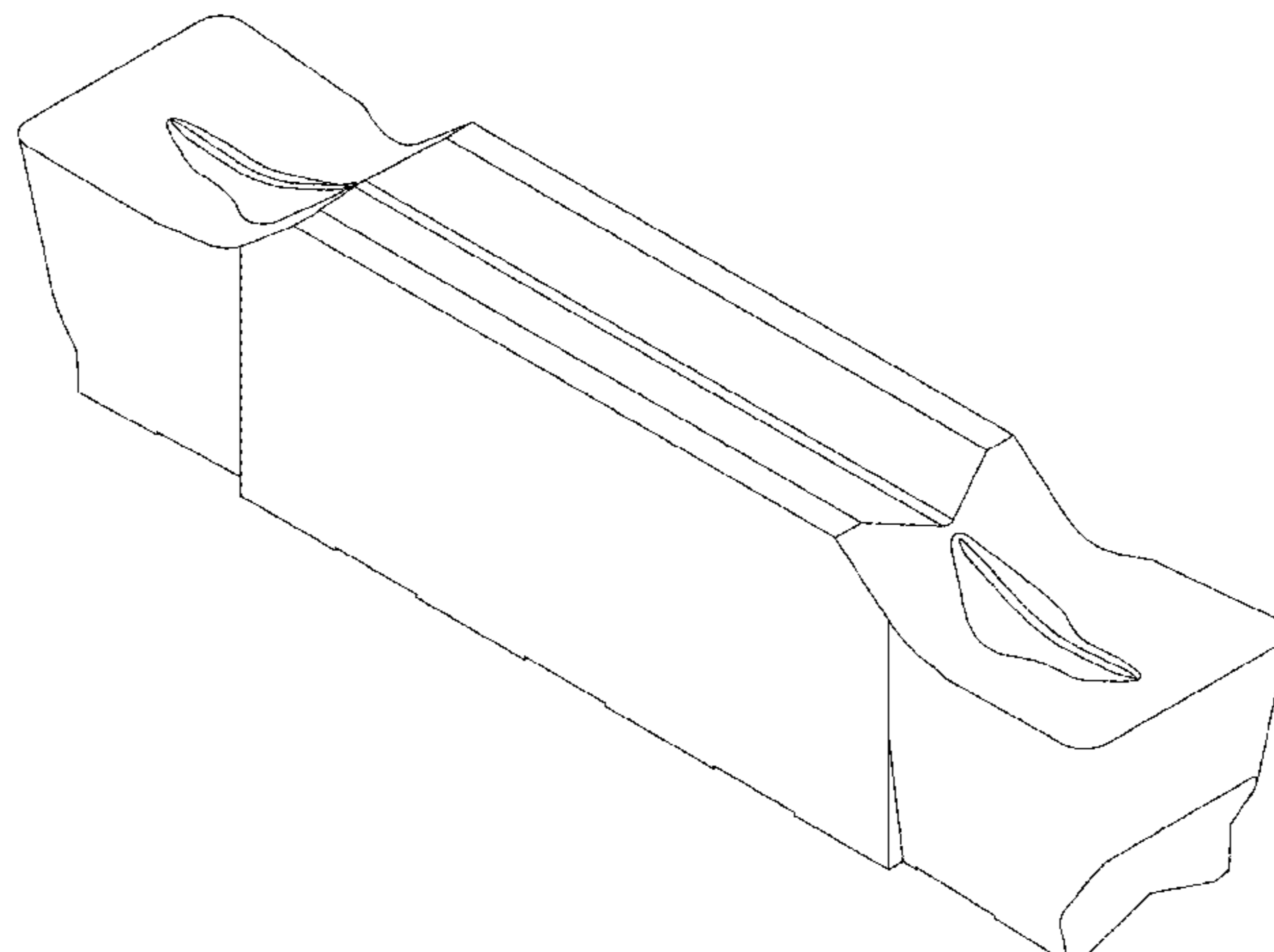
(57) **CLAIM**

The ornamental design for a grooving insert, as shown and described.

DESCRIPTION

- 1. Grooving insert
- 1.1 : Perspective
- 1.2 : Front
- 1.3 : Back
- 1.4 : Left
- 1.5 : Right
- 1.6 : Top
- 1.7 : Bottom

1 Claim, 7 Drawing Sheets



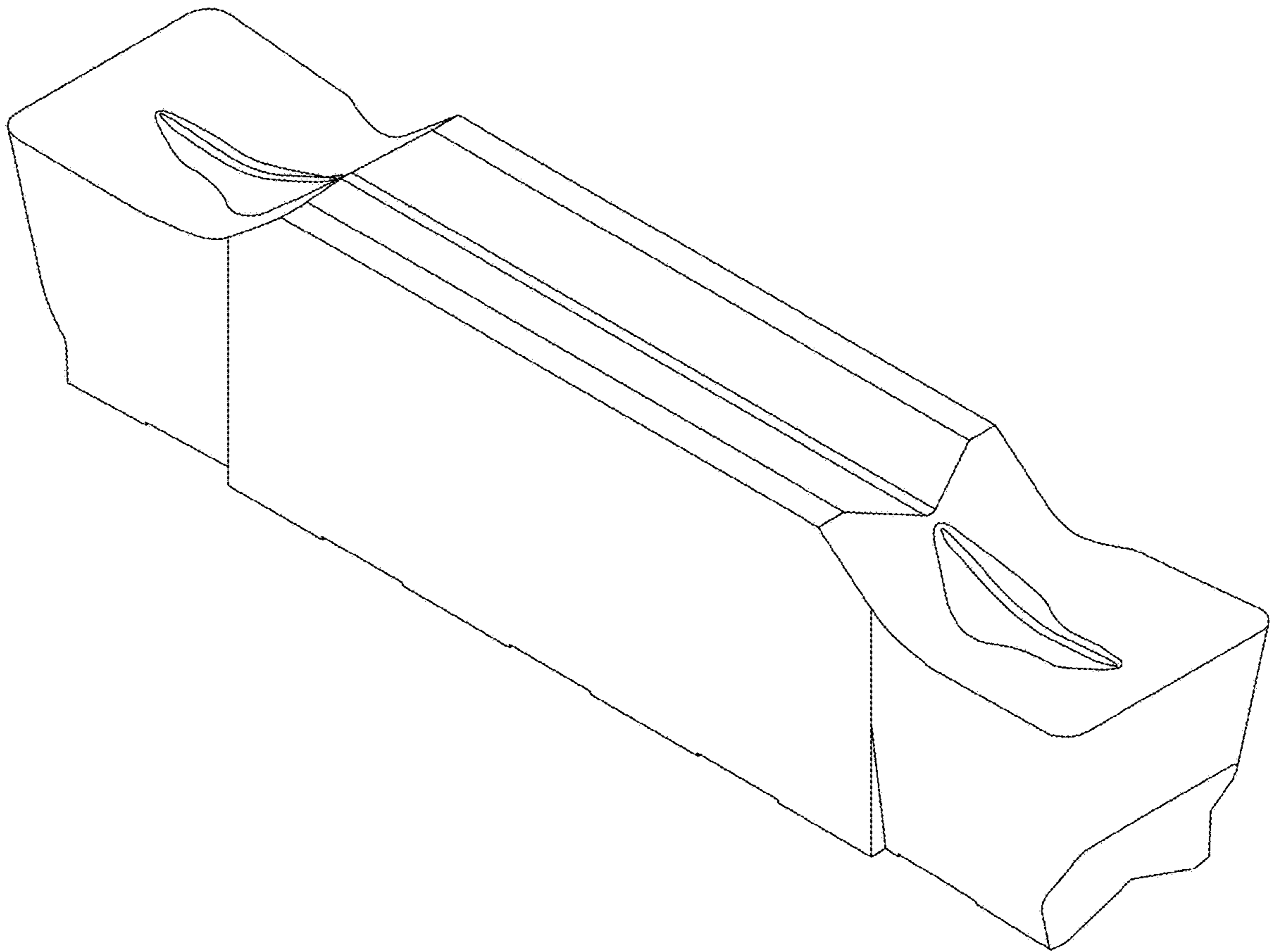
(56)

References Cited

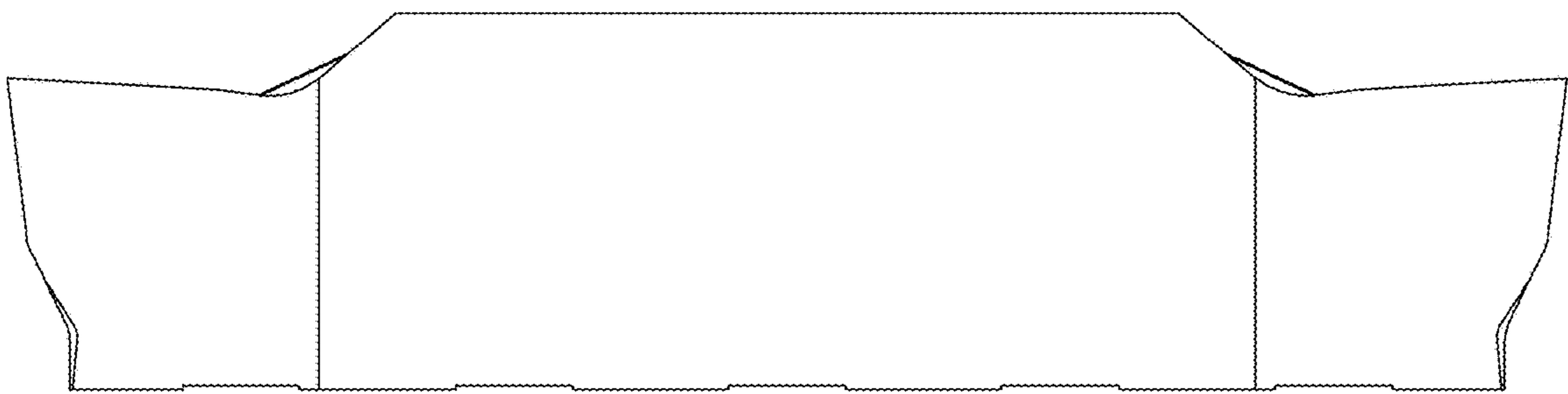
U.S. PATENT DOCUMENTS

D772,318 S * 11/2016 Nam D15/139
D772,319 S * 11/2016 Nam D15/139
D772,963 S * 11/2016 Nam D15/139
9,545,672 B2 * 1/2017 Lee B23C 5/06
9,623,486 B2 * 4/2017 Nam B23B 27/145

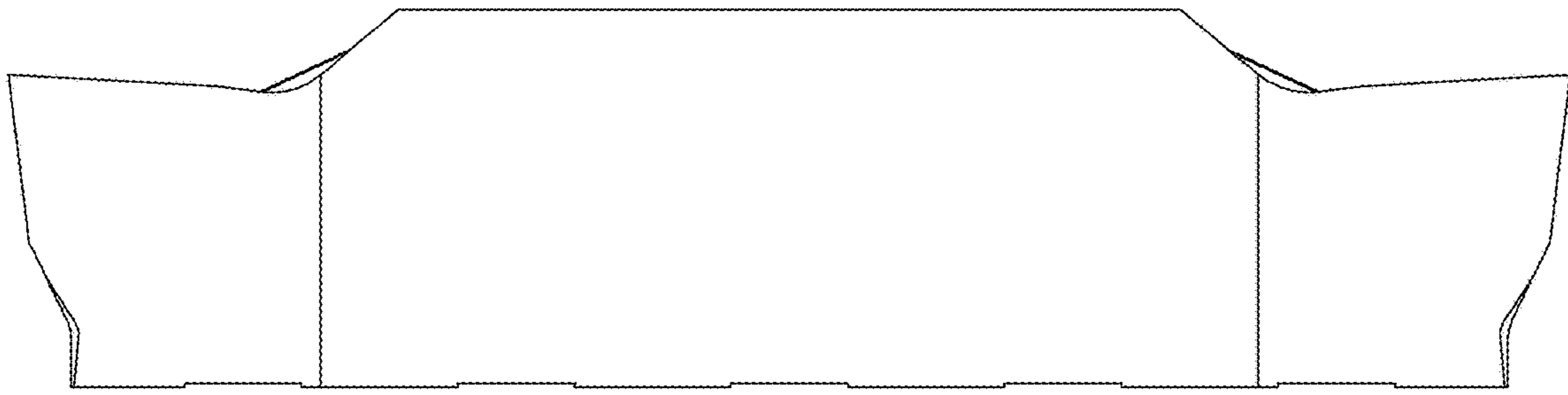
* cited by examiner



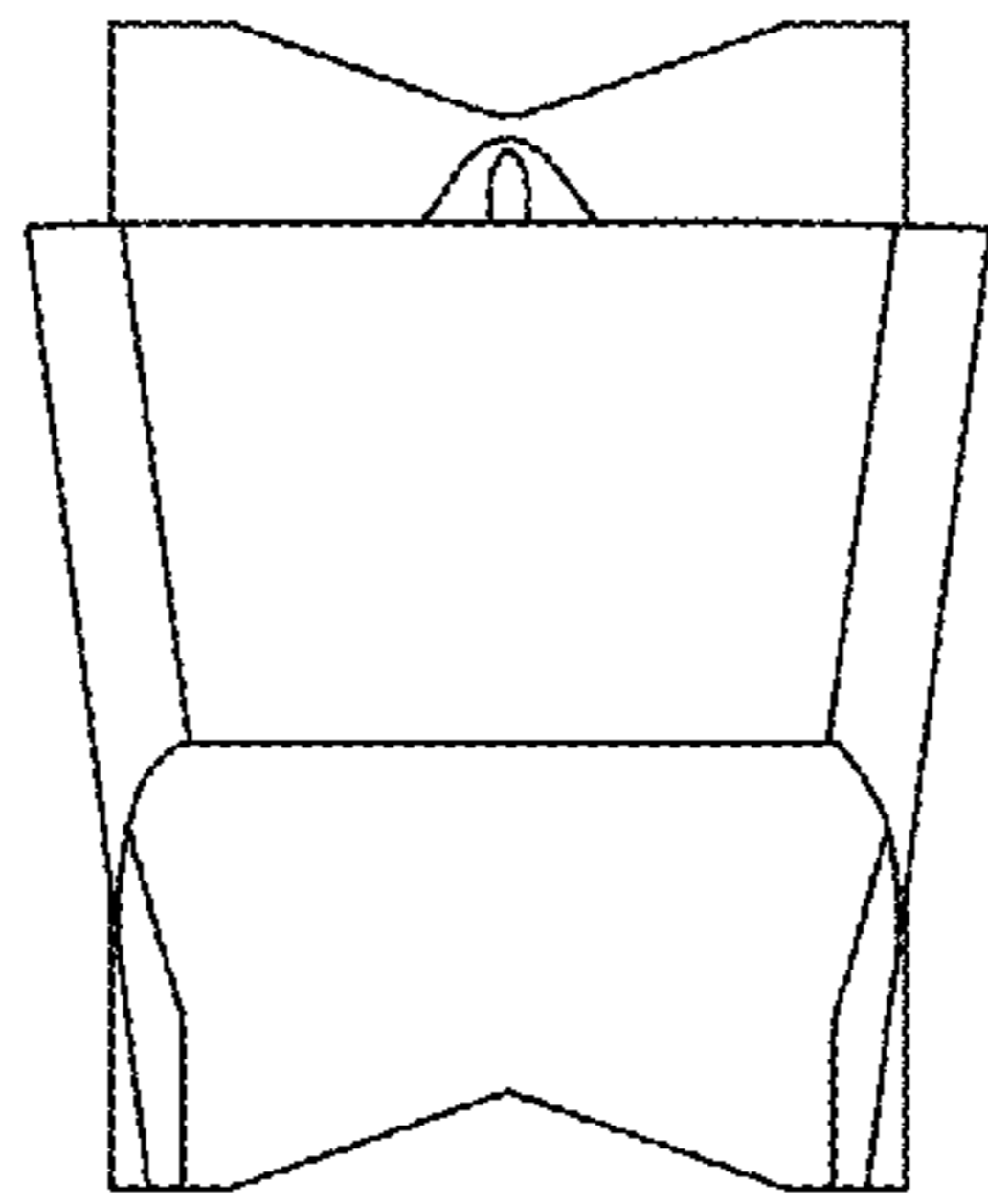
1.1



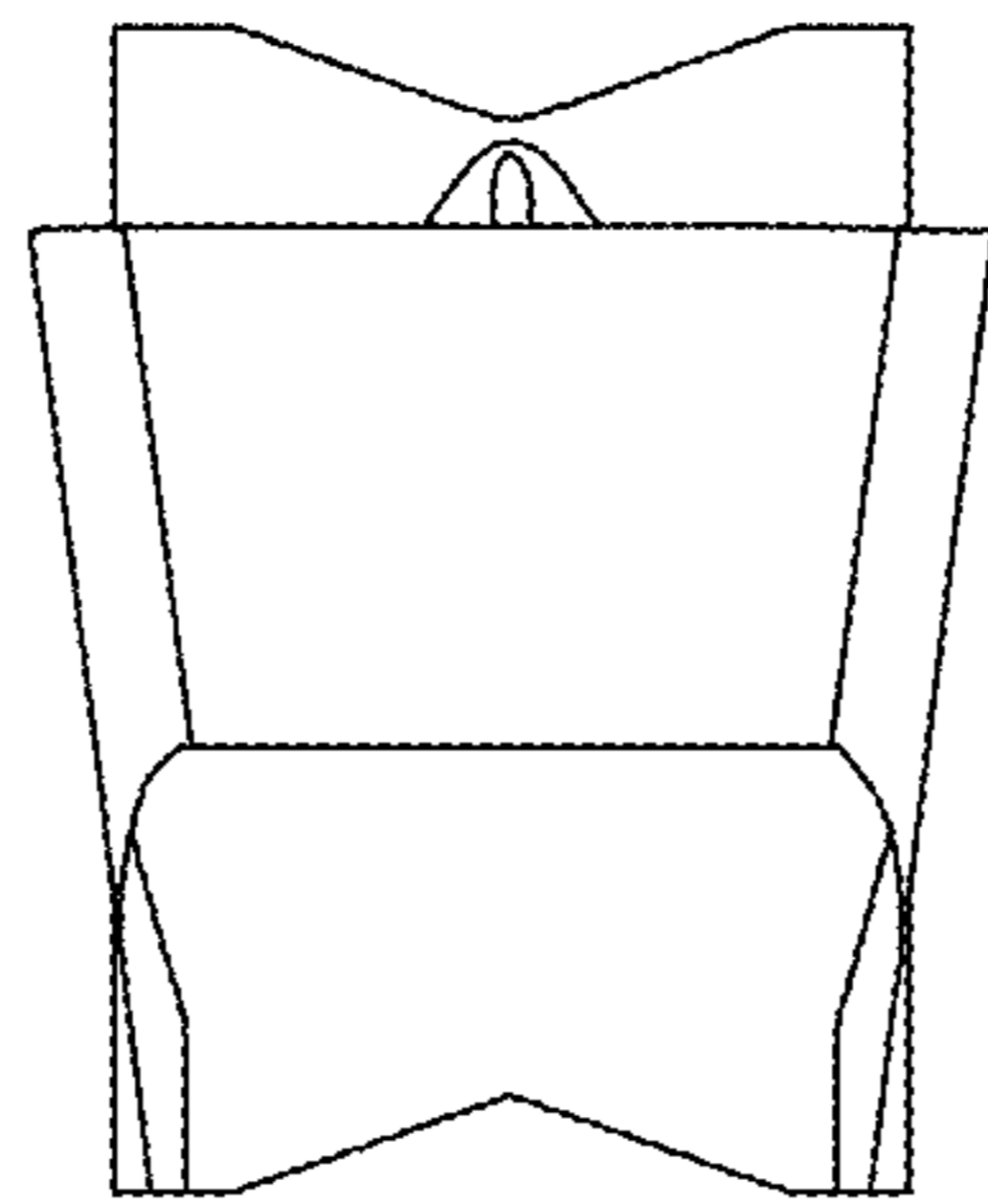
1.2



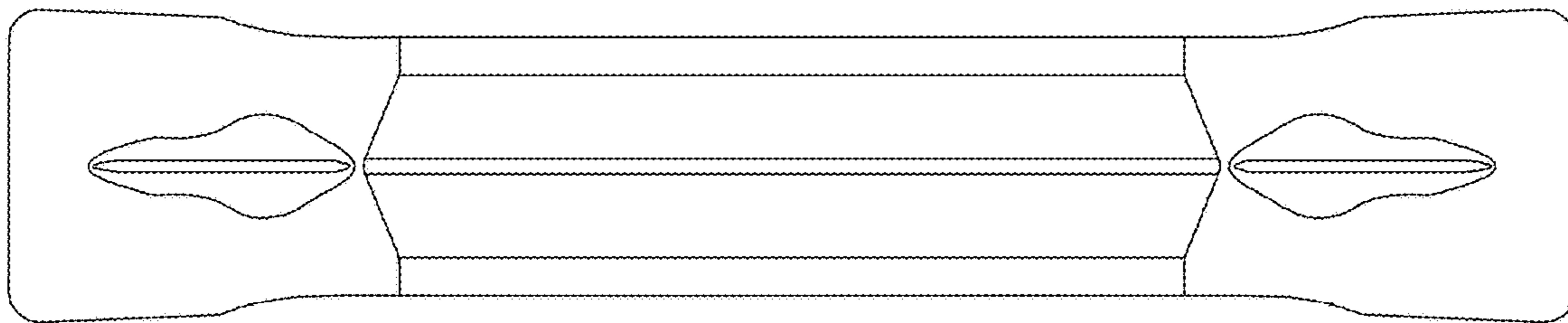
1.3



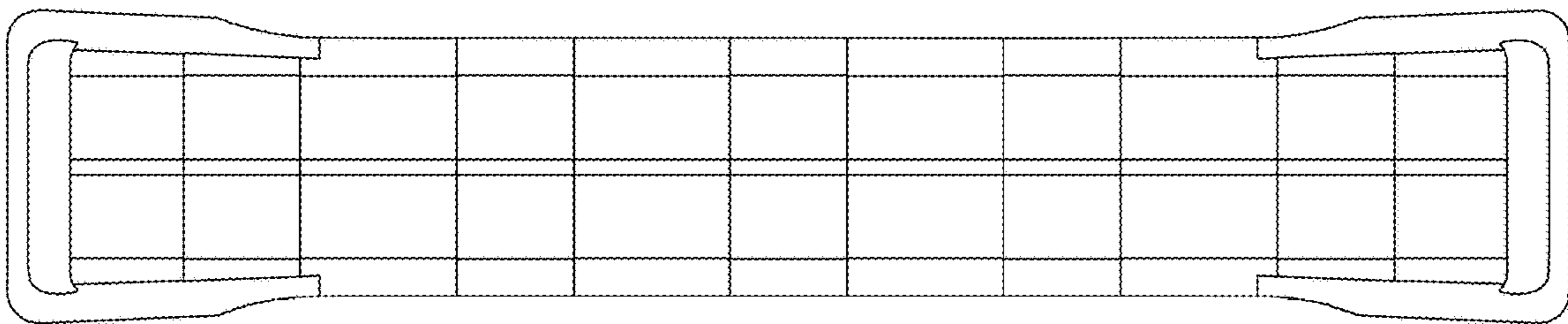
1.4



1.5



1.6



1.7